

DANGER - POSSIBLE EXPLOSION HAZARD IF USED
IN PRESENCE OF FLAMMABLE ANESTHETICS



TEMPERATURE

INCREASE



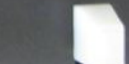
TEMPERATURE
REGULATOR



TIMER



PILOT



FILL

VENT

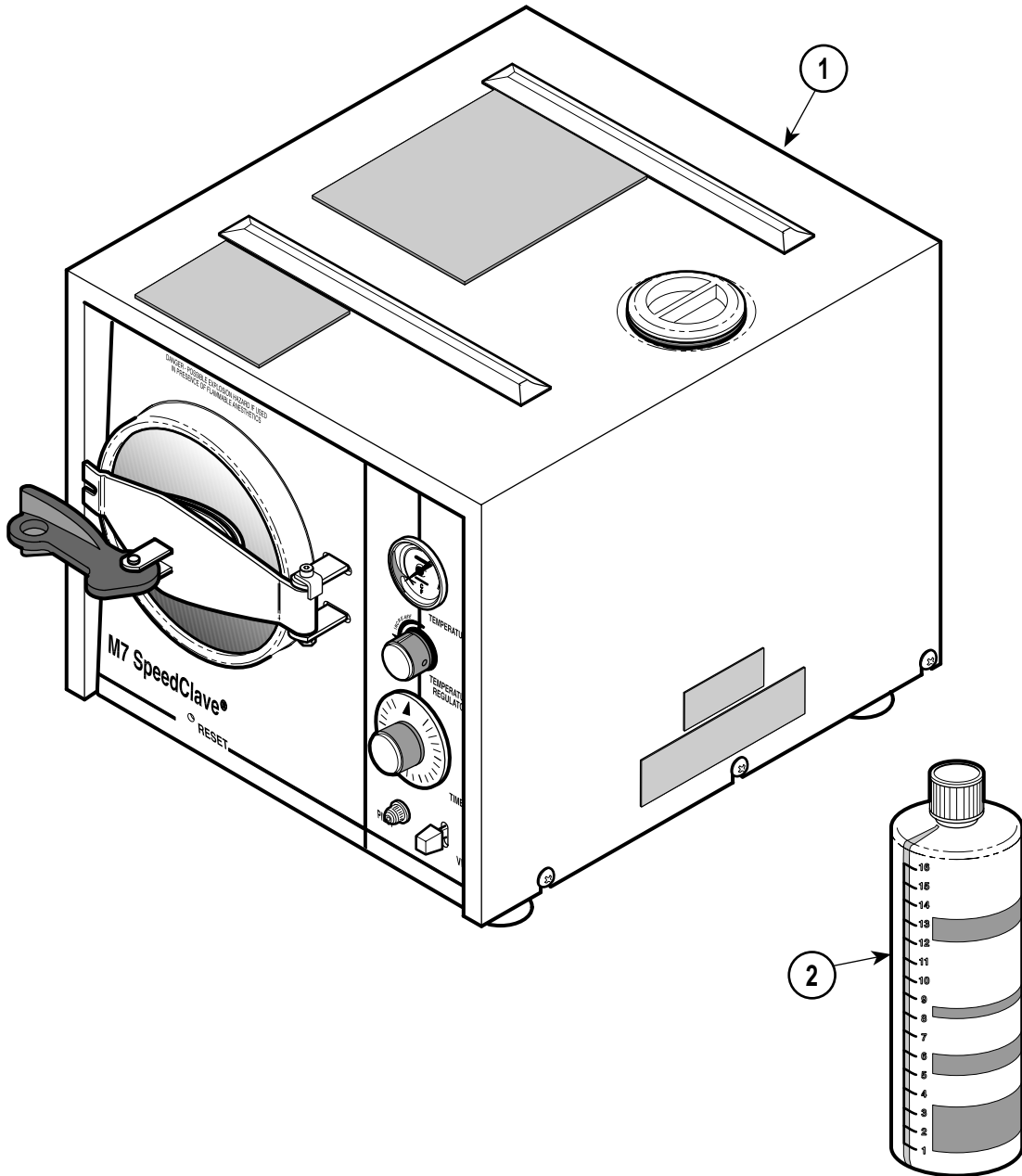
M7 SpeedClave



RESET

M7 Sterilizer

SECTION VI PARTS LIST



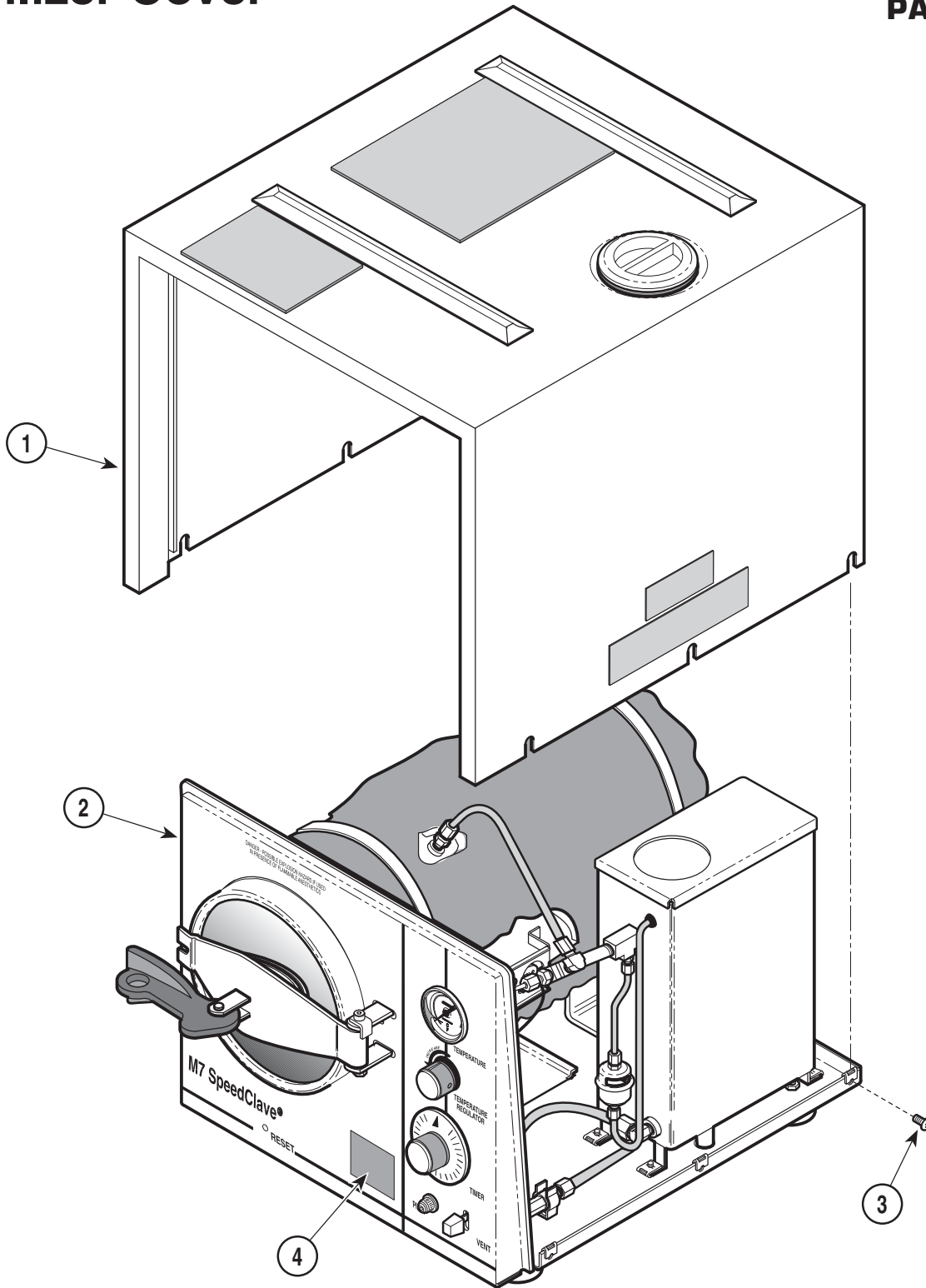
Item	Part No.	Description	Qty.	Item	Part No.	Description	Qty.
1	M7-001	Ritter 115/60/1 (S/N Prefix "RB*****")	Ref		M7-005	M7 (Special) (S/N Prefix "FM*****")	Ref
	M7-002	220-240/50/1 (S/N Prefix "CR*****" & "DR*****") .	Ref		M7-006	M7 (Special) (S/N Prefix "FN*****")	Ref
	M7-003	100/60/1 (S/N Prefix "CP*****")	Ref	2	002-0396-00	Sterilizer Cleaner	1
	M7-004	Midmark (S/N Prefix "CS*****")	Ref				

Always Specify Model & Serial Number

MA242600

Sterilizer Cover

SECTION VI PARTS LIST



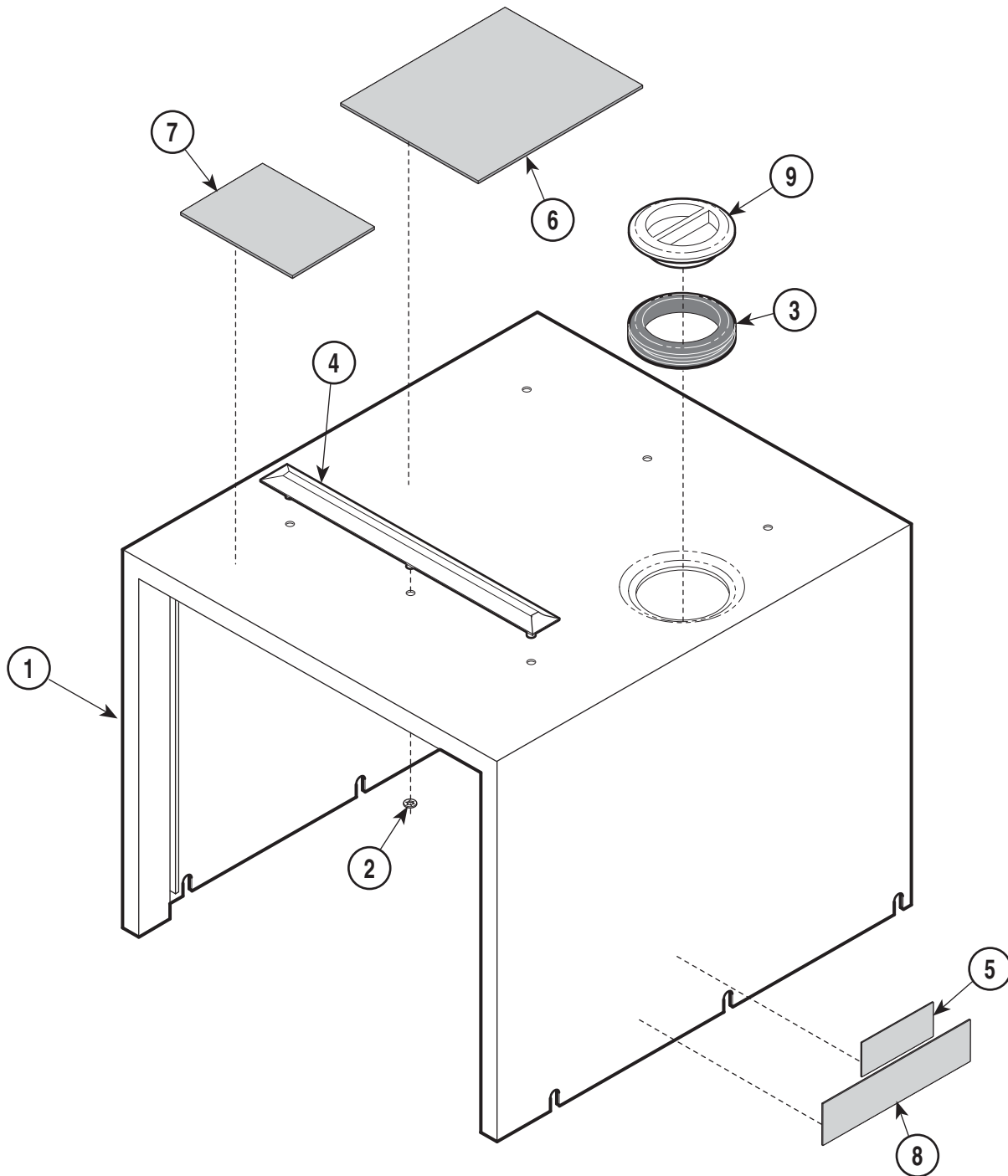
MA242800

Item	Part No.	Description	Qty.	Item	Part No.	Description	Qty.
1		Cover Assembly (Refer to "Sterilizer Cover Components" Elsewhere)	1	3	040-0010-125	Screw	6
2		Sterilizer Components (Refer to "Sterilizer Main Components" Elsewhere)	1	4	H353064	Decal (M7-005 [Early Units Only])	1

Always Specify Model & Serial Number

Sterilizer Cover Components

SECTION VI PARTS LIST



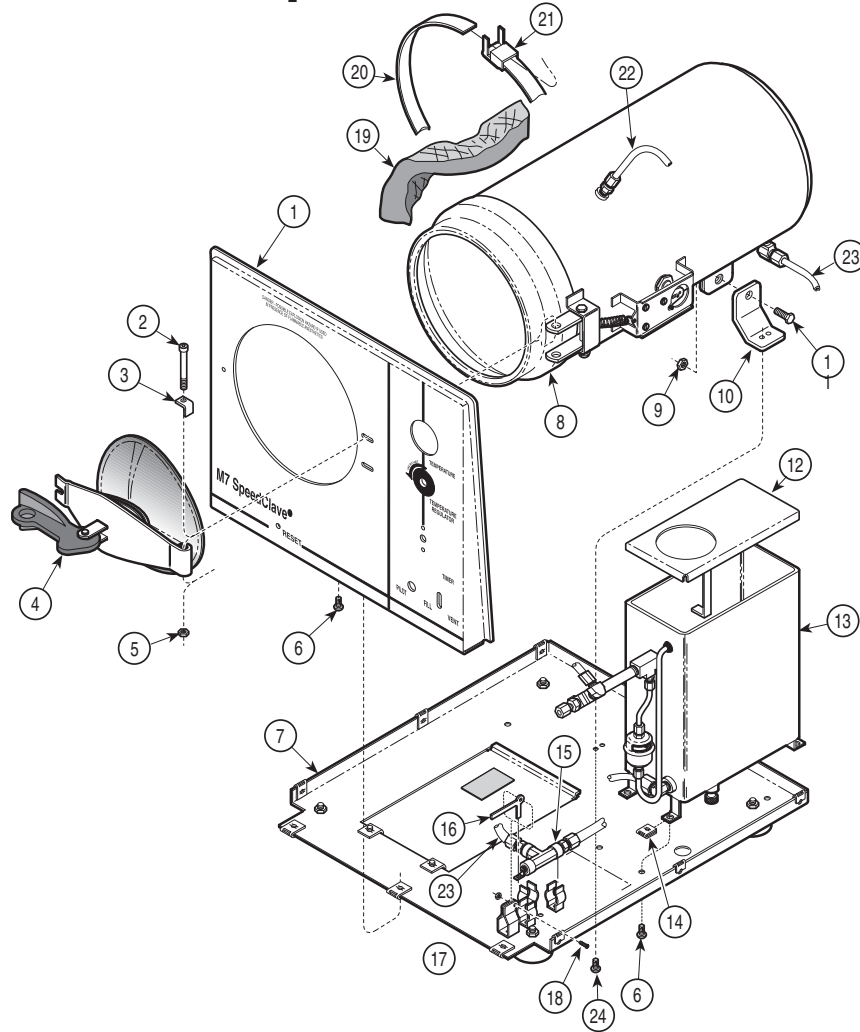
MA2413-00

Item	Part No.	Description	Qty.	Item	Part No.	Description	Qty.
	002-0643-00	M7 Cover Kit (Includes Items 1 thru 8)	1	5	H335669	• Warning Label	1
1	H335994	• Cover Assembly (Incl. Items 2 thru 4)	1	6	061-0443-00	• Operation Instructions Plate	1
2	H98011	•• Push Nut	6	7	H284693	• Danger Plate	1
3	H98135	•• Rubber Seal	1	8	061-0203-00	• Caution Label	1
4	H284657	•• Top Rail	2	9	H98009	• Filler Cap	1

Always Specify Model & Serial Number

Sterilizer Main Components

SECTION VI PARTS LIST



MA242701

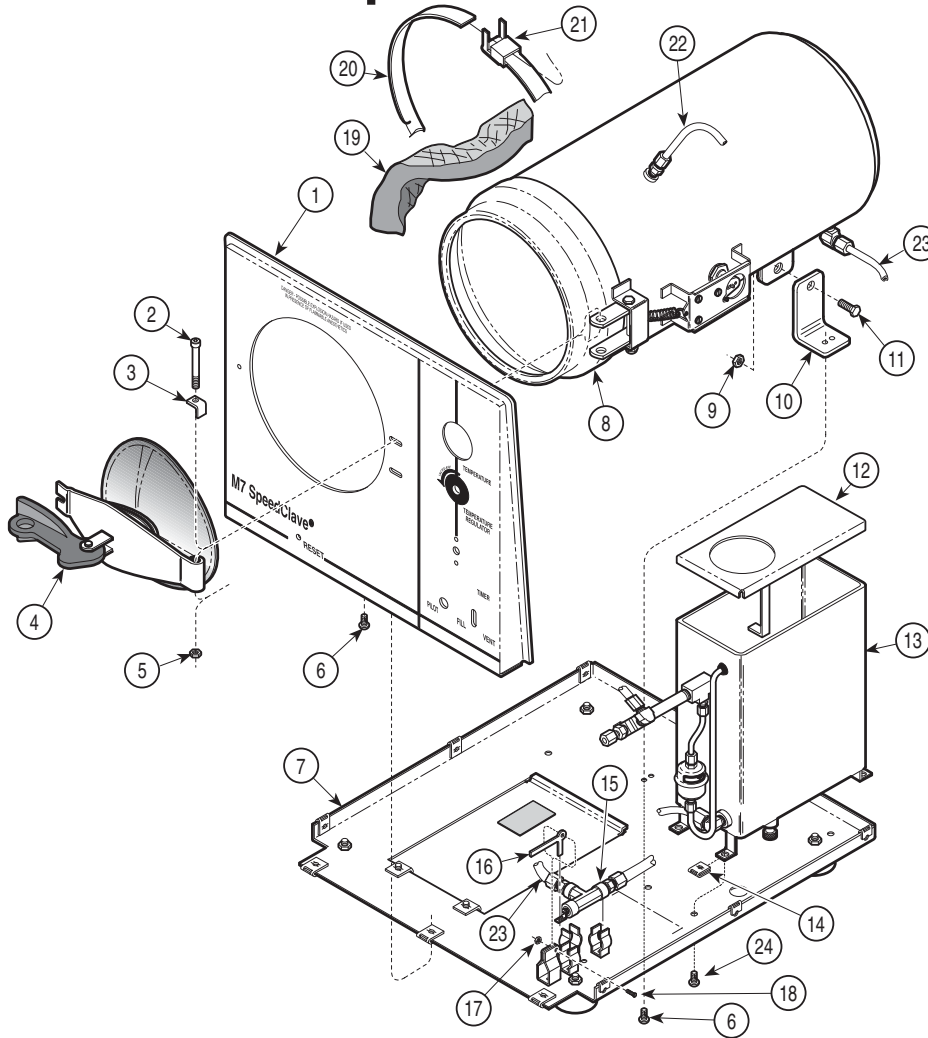
Used on Units with Serial Numbers:
CP1000 thru CP1061 CR1000 thru CR1154 CS1000 thru CS1975
RB1000 thru RB7986 DR1000 thru DR1014

Item	Part No.	Description	Qty.	Item	Part No.	Description	Qty.
1		Panel (Refer to "Front Panel Components Elsewhere")	Ref	9	041-0250-15	Nut	1
2	040-0010-103	Screw	1	10	H98007	Chamber Leg Bracket	2
3	H97991	Door Stop	1	11	040-0250-47	Screw	1
4		Door Assembly (Refer to "Door Assembly" Elsewhere)	Ref	12	H98091	Tank Cover	1
5	041-0010-10	Torque Nut	1	13		Tank Assembly (Refer to "Tank Assembly" Elsewhere)	Ref
6	040-0010-18	Screw	7	14	H352623	Clip	4
7		Base Assembly (Refer to "Base Components" Elsewhere)	Ref	15		Vent Valve Components (Refer to "Valve Assembly" Elsewhere)	Ref
8	029-1865-00	Shell Assembly [M7-001 & M7-004] (Refer to "Chamber Components (Side or Bottom)" Elsewhere)	1	16	H98074	Lever	1
	H284702-1	Shell Assembly [M7-005] (Refer to "Chamber Components (Side or Bottom)" Elsewhere)	1	17	041-0010-10	Nut	1
	H284702-2	Shell Assembly [M7-002] (Refer to "Chamber Components (Side or Bottom)" Elsewhere)	1	18	040-0010-73	Screw	1
	H284702-3	Shell Assembly [M7-003] (Refer to "Chamber Components (Side or Bottom)" Elsewhere)	1	19	H97980	Insulation	1
				20	H99388-29	Banding Strap (shown)	2
				21	H99388-27	Banding Strap End	1
				22	H99387	Banding Strap Clip	2
				23	H335943	Tubing	1
				24	H98128	Tubing	1
					040-0010-74	Screw	4

Always Specify Model & Serial Number

Sterilizer Main Components

SECTION VI PARTS LIST



MA242702

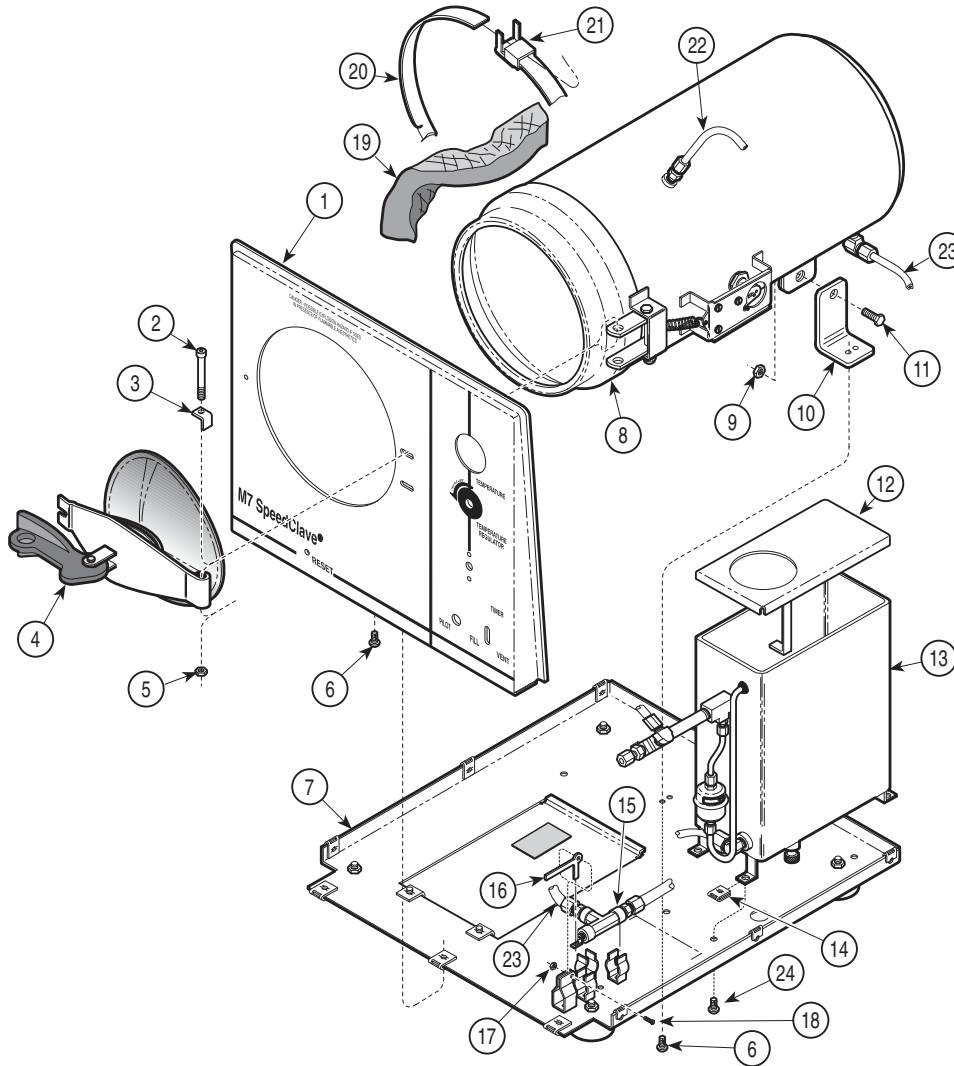
Used on Units with Serial Numbers:
CP1062 thru CP1149 CR1155 thru CR1511 CS1976 thru CS7753
RB7987 thru RB17992 DR1015 thru DR1267

Item	Part No.	Description	Qty.	Item	Part No.	Description	Qty.
1		Panel (Refer to "Front Panel Components Elsewhere")	Ref	9	041-0250-15	Nut	1
2	040-0010-103	Screw	1	10	051-0721-00	Chamber Leg Bracket	1
3	H97991	Door Stop	1	11	040-0250-47	Screw	1
4		Door Assembly (Refer to "Door Assembly" Elsewhere)	Ref	12	H98091	Tank Cover	1
5	041-0010-10	Torque Nut	1	13		Tank Assembly (Refer to "Tank Assembly" Elsewhere)	Ref
6	040-0010-125	Screw	5	14	H352623	Clip	4
7		Base Assembly (Refer to "Base Components" Elsewhere)	Ref	15		Vent Valve Components (Refer to "Valve Assembly" Elsewhere)	Ref
8	029-1865-00	Shell Assembly [M7-001 & M7-004] (Refer to "Chamber Components (Side or Lower)" Elsewhere)	1	16	H98074	Lever	1
	H284702-1	Shell Assembly [M7-005] (Refer to "Chamber Components (Side or Lower)" Elsewhere)	1	17	041-0010-10	Nut	1
	H284702-2	Shell Assembly [M7-002] (Refer to "Chamber Components (Side or Lower)" Elsewhere)	1	18	040-0010-73	Screw	1
	H284702-3	Shell Assembly [M7-003] (Refer to "Chamber Components (Side or Lower)" Elsewhere)	1	19	H97980	Insulation	1
				20	H99388-29	Banding Strap (shown)	2
				21	H99388-27	Banding Strap End	1
				22	H335943	Tubing	1
				23	H98128	Tubing	1
				24	040-0010-95	Screw	4

Always Specify Model & Serial Number

Sterilizer Main Components

SECTION VI PARTS LIST



MA242702

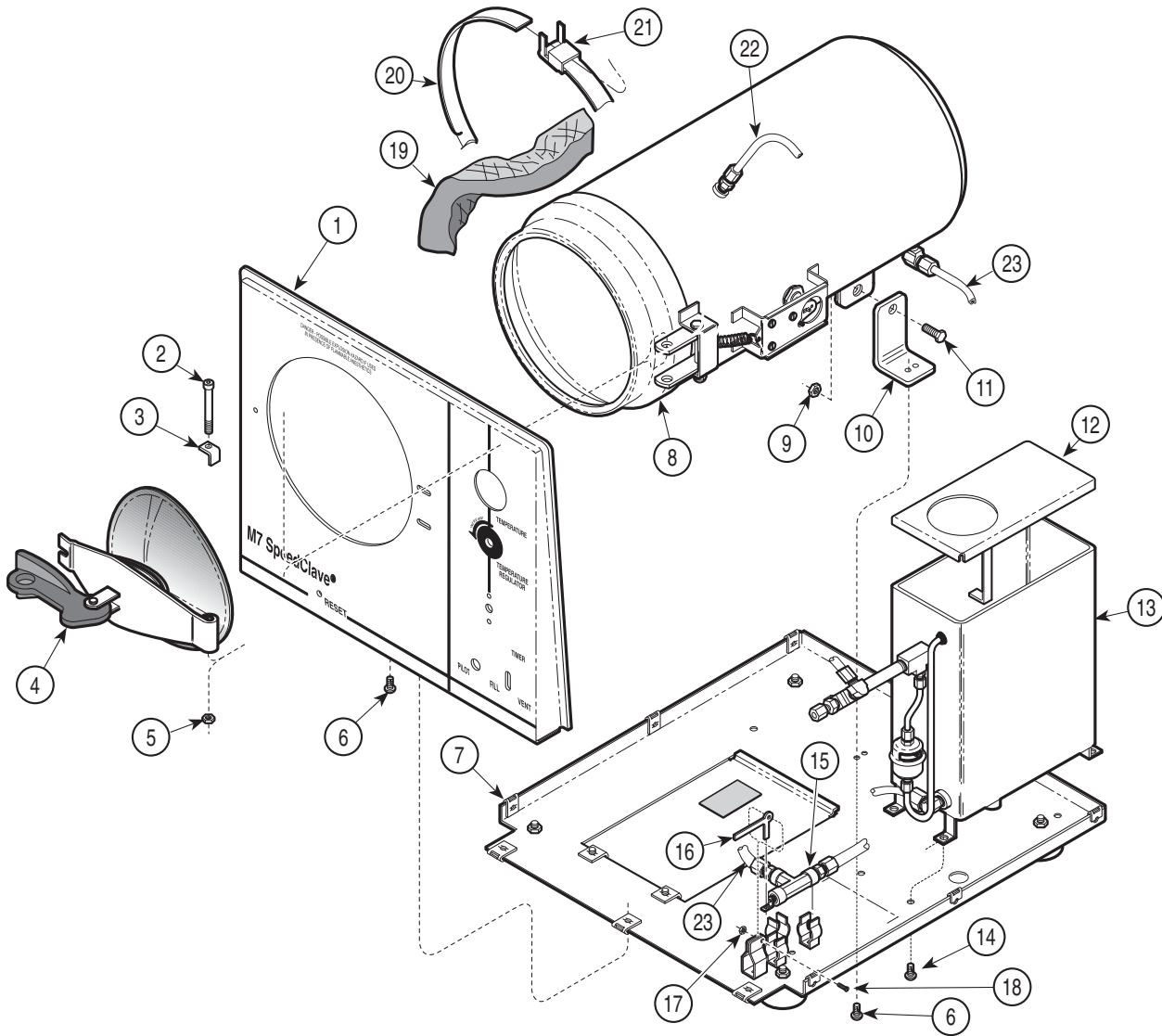
Used on Units with Serial Numbers CR1511 thru CR1685, FM1000 thru FM1425 and FN1000 thru FN1229

Item	Part No.	Description	Qty.	Item	Part No.	Description	Qty.
1		Panel (Refer to "Front Panel Components" Elsewhere)	Ref	9	041-0250-15	Nut	1
2	040-0010-103	Screw	1	10	051-0721-00	Chamber Leg Bracket	1
3	H97991	Door Stop	1	11	040-0250-47	Screw	1
4		Door Assembly (Refer to "Door Assembly" Elsewhere)	Ref	12	H98091	Tank Cover	1
5	041-0010-10	Torque Nut	1	13		Tank Assembly (Refer to "Tank Assembly" Elsewhere)	Ref
6	040-0010-125	Screw	5	14	H352623	Clip	4
7		Base Assembly (Refer to "Base Components" Elsewhere)	Ref	15		Vent Valve Components (Refer to "Valve Assembly" Elsewhere)	Ref
8	029-1865-00	Shell Assembly [M7-001 & M7-004] (Refer to "Chamber Components {Side or Lower}" Elsewhere)	1	16	H98074	Lever	1
	H284702-1	Shell Assembly [M7-005] (Refer to "Chamber Components {Side or Lower}" Elsewhere)	1	17	041-0010-10	Nut	1
	029-1865-01	Shell Assembly [M7-002] (Refer to "Chamber Components {Side or Lower}" Elsewhere)	1	18	040-0010-73	Screw	1
	029-1865-02	Shell Assembly [M7-003] (Refer to "Chamber Components {Side or Lower}" Elsewhere)	1	19	H97980	Insulation	1
				20	H99388-29	Banding Strap (shown)	2
					H99388-27	Banding Strap End	1
				21	H99387	Banding Strap Clip	2
				22	H335943	Tubing	1
				23	052-0251-00	Tubing	1
				24	040-0010-95	Screw	4

Always Specify Model & Serial Number

Sterilizer Main Components

SECTION VI PARTS LIST



MA242702

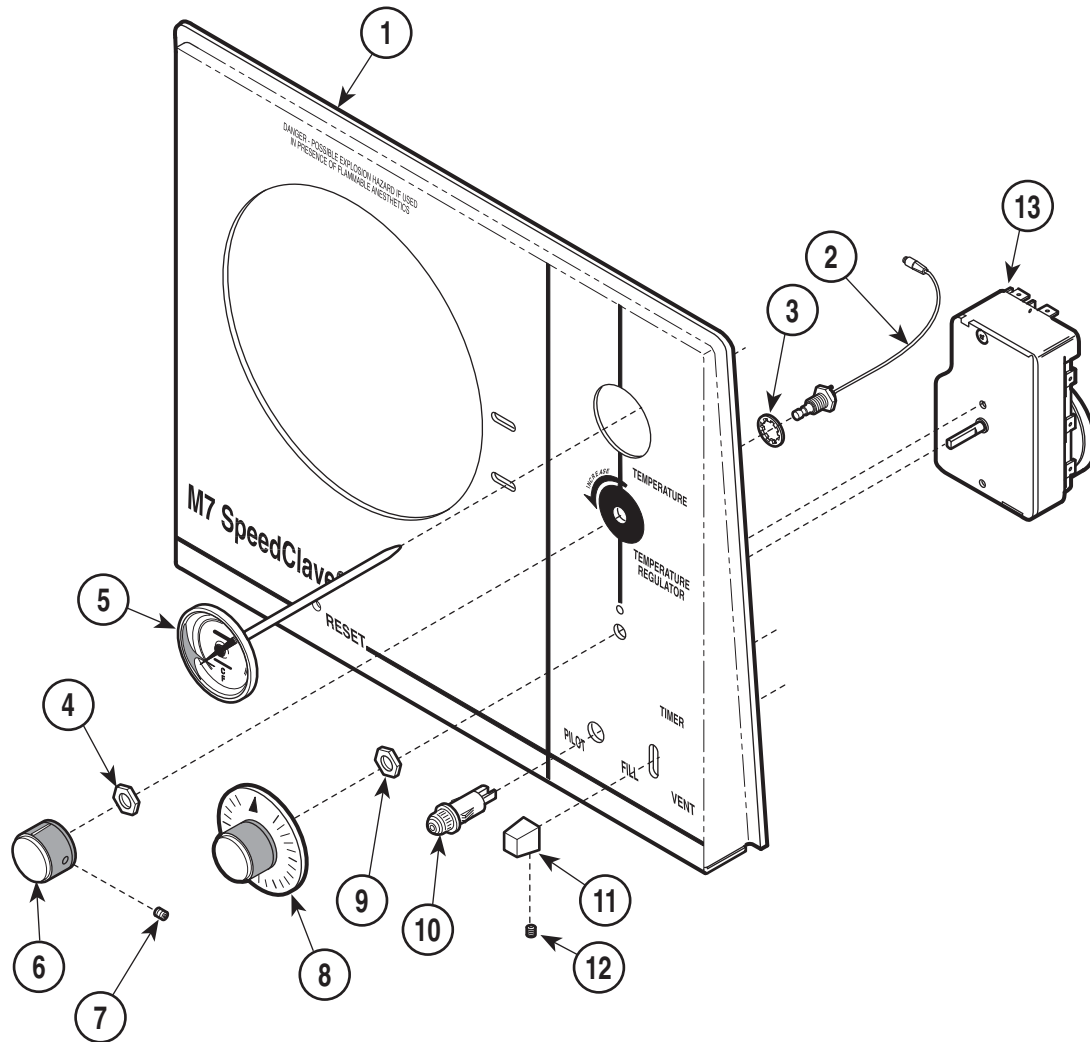
Used on Units with Serial Numbers:RB17993, CR1686, DR1268, CP1150, CS7754, FM1426 and FN11230 thru Present

Item	Part No.	Description	Qty.	Item	Part No.	Description	Qty.
1		Panel (Refer to "Front Panel Components Elsewhere")	Ref	9	041-0250-15	Nut	1
2	040-0010-103	Screw	1	10	051-0721-00	Chamber Leg Bracket	1
3	H97991	Door Stop	1	11	040-0250-47	Screw	1
4		Door Assembly (Refer to "Door Assembly" Elsewhere)	Ref	12	H98091	Tank Cover	1
5	041-0010-10	Torque Nut	1	13		Tank Assembly (Refer to "Tank Assembly" Elsewhere)	Ref
6	040-0010-125	Screw	5	14	040-0010-81	Screw	4
7		Base Assembly (Refer to "Base Components" Elsewhere)	Ref	15		Vent Valve Components (Refer to "Valve Assembly" Elsewhere)	Ref
8	029-1865-00	Shell Assm. [M7-001,M7-004 & M7-005] (Refer to "Chamber Components (Side or Lower)" Elsewhere)	1	16	H98074	Lever	1
	029-1865-01	Shell Assembly [M7-002 & M7-006] (Refer to "Chamber Components (Side or Lower)" Elsewhere)	1	17	041-0010-10	Nut	1
	029-1865-02	Shell Assembly [M7-003] (Refer to "Chamber Components (Side or Lower)" Elsewhere)	1	18	040-0010-73	Screw	1
				19	H97980	Insulation	1
				20	H99388-29	Banding Strap (shown)	2
					H99388-27	Banding Strap End	1
				21	H99387	Banding Strap Clip	2
				22	H335943	Tubing	1
				23	052-0251-00	Tubing	1

Always Specify Model & Serial Number

Front Panel Components

SECTION VI PARTS LIST



MA241102

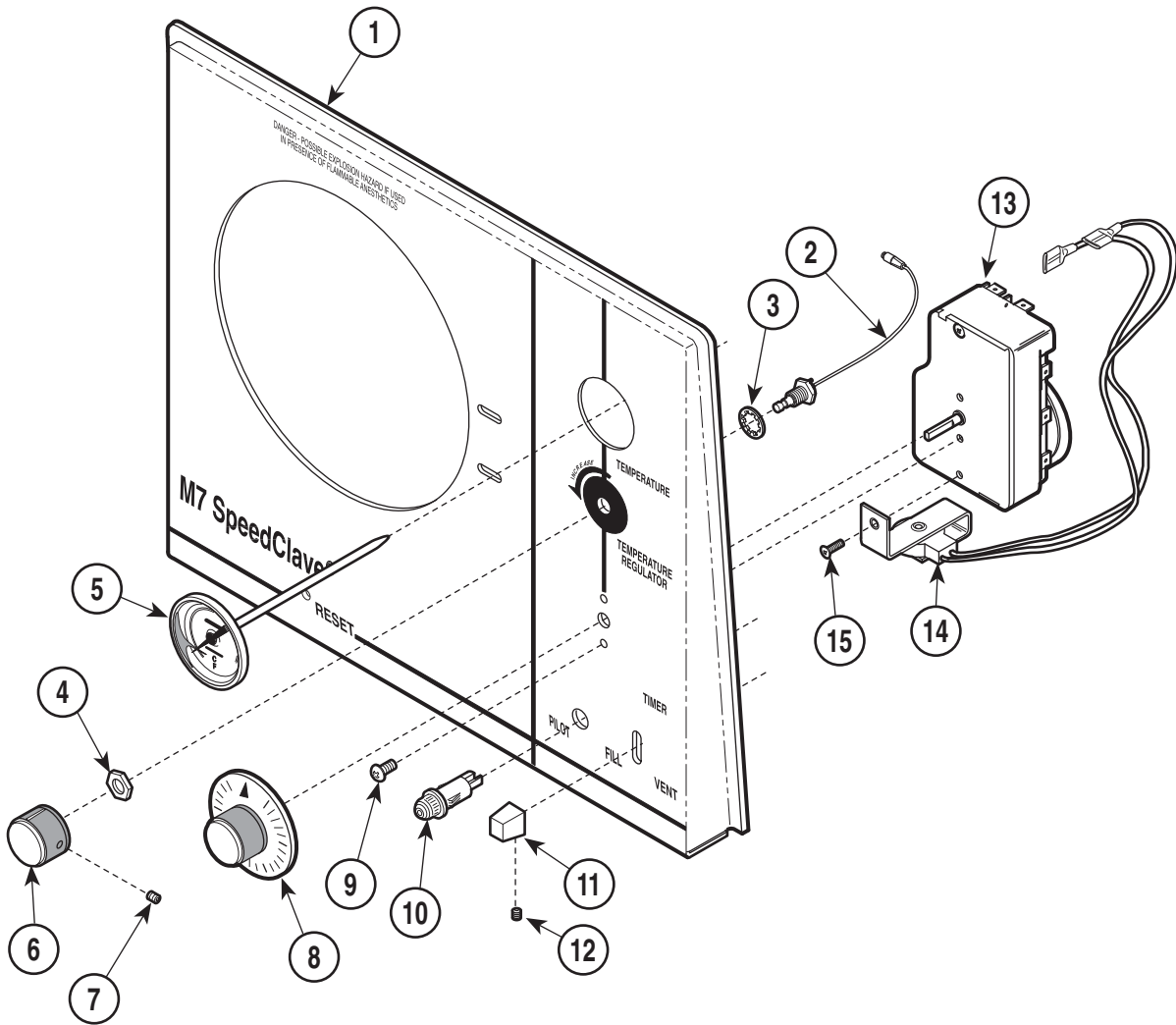
Used on Units with Serial Numbers CP1000 thru CP1069, CR1000 thru CR1125, CS1000 thru CS1694, RB1000 thru RB7499

Item	Part No.	Description	Qty.	Item	Part No.	Description	Qty.
1	H335992-1 H335992-5	Ritter Panel (M7-001)	1	8	H98062	Timer Knob	1
		Midmark Panel (M7-002, M7-003, M7-004)	1	9		Nut	Ref
2	H98064	Flexible Shaft Assembly (Includes Items 3 and 4)	1	10	H98036 H97747	Pilot Light (M7-001, M7-003, M7-004) ..	1
3	• HWL008-27	• Lockwasher	1	11	H98081	Pilot Light (M7-002)	1
4	• H98149	• Nut	1			Fill/Vent Knob Assembly (Includes Item 12)	1
5	002-0242-00	Thermometer	1	12	• 040-0008-40	• Setscrew	1
6	H98063	Control Knob (Includes Item 7)	1	13	002-0373-00	Timer (M7-001, M7-003, M7-004)	1
7	•	• Setscrew	1		002-0373-01	Timer (M7-002)	1

Always Specify Model & Serial Number

Front Panel Components

SECTION VI PARTS LIST



MA241101

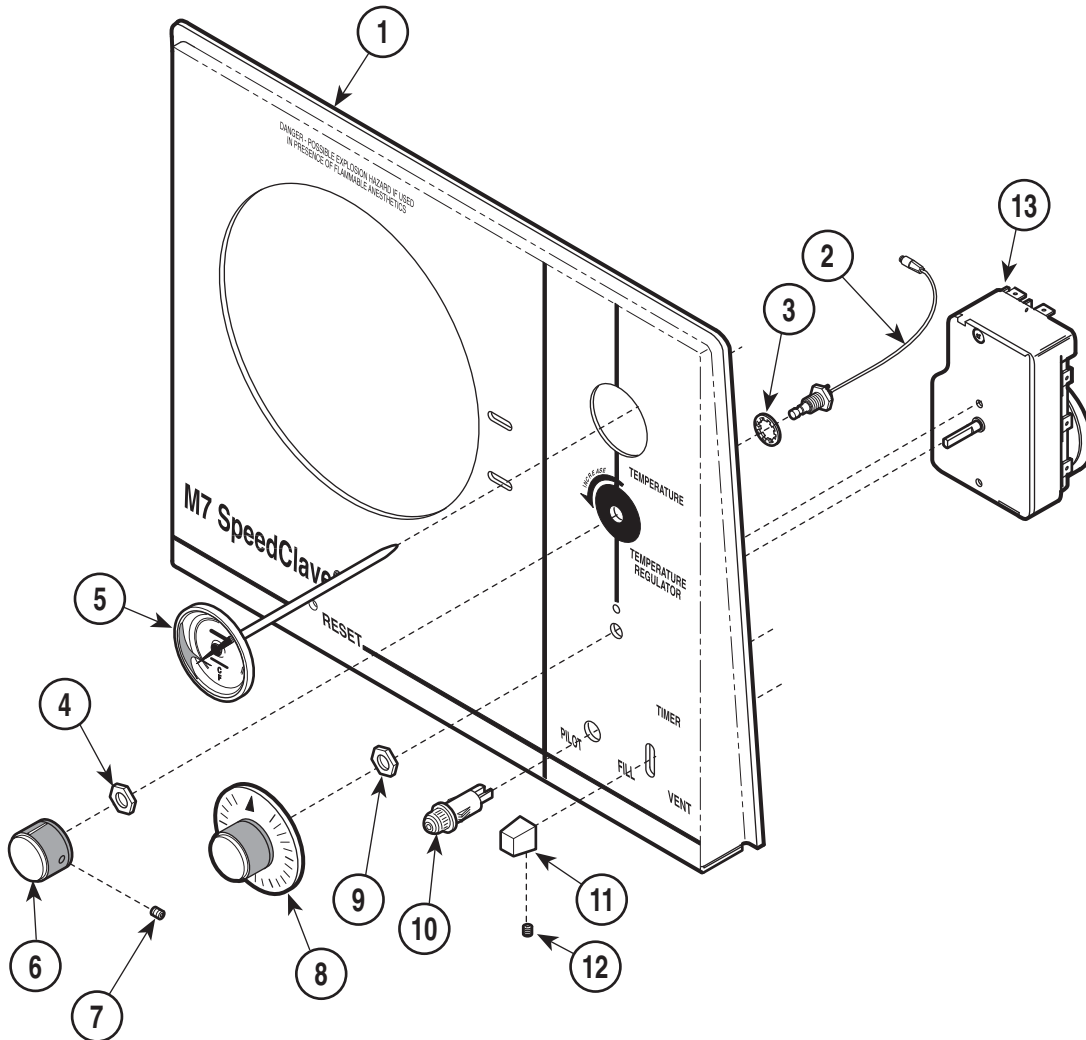
Used on units with Serial Number RB7500 thru RB7999

Item	Part No.	Description	Qty.	Item	Part No.	Description	Qty.
1	050-2256-00 050-2256-01	Ritter Panel (M7-001, M7-005)	1	9	040-0008-29	Screw	2
		Midmark Panel (M7-002, M7-003, M7-004)	1	10	H98036	Pilot Light (M7-001, M7-003, M7-004, M7-005)	1
2	H98064	Flexible Shaft Assembly (Includes Items 3 and 4)	1		H97747	Pilot Light (M7-002)	1
3	•HWL008-27	• Lockwasher	1	11	H9808+	Fill/Vent Knob Assembly (Incl. Item 12)	1
4	•H98149	• Nut	1	12	• 040-0008-40	• Setscrew	1
5	002-0242-00	Thermometer	1	13	002-0373-00	Timer (M7-001, M7-003, M7-004, M7-005) [Incl. Items 14 and 15]	1
6	H98063	Control Knob (Includes Item 7)	1		002-0373-01	Timer (M7-002) [Incl. Items 14 and 15]	1
7	•	• Setscrew	1	14	• 015-0745-02	• Timer Buzzer (120 volt)	1
8	H98062	Timer Knob	1		• 015-0745-03	• Timer Buzzer (230 volt)	1
				15	•040-0008-29	• Screw	1

Always Specify Model & Serial Number

Front Panel Components

SECTION VI PARTS LIST



MA241102

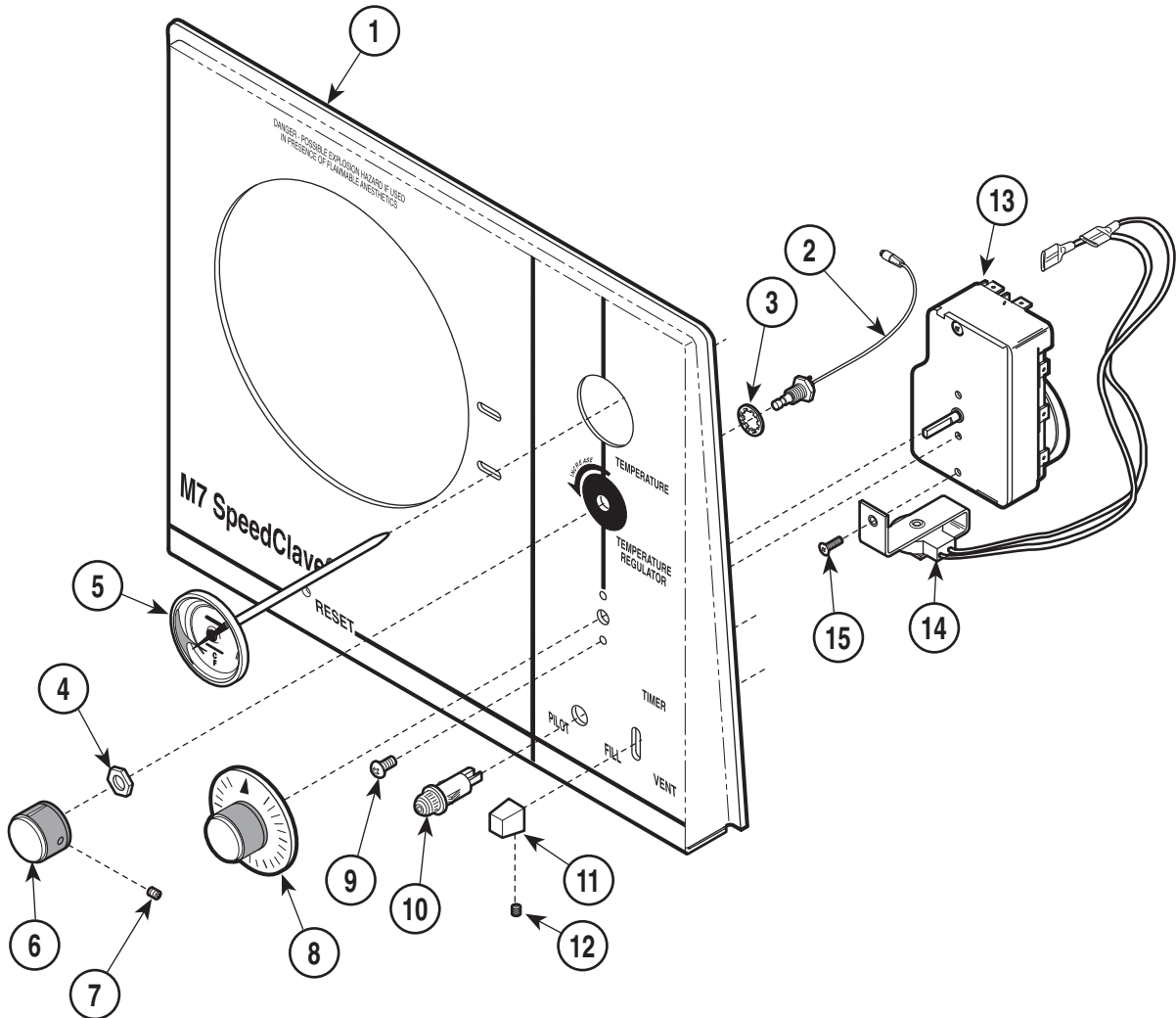
Used on units with Serial Number RB8000 thru RB8106

Item	Part No.	Description	Qty.	Item	Part No.	Description	Qty.
1	H335992-1 H335992-5	Ritter Panel (M7-001)	1	8	H98062	Timer Knob	1
		Midmark Panel (M7-002, M7-003, M7-004)	1	9		Nut	Ref
2	H98064	Flexible Shaft Assembly (Includes Items 3 and 4)	1	10	H98036 H97747	Pilot Light (M7-001, M7-003, M7-004) .	1
3	•HWL008-27	• Lockwasher	1	11	H98081	Fill/Vent Knob Assembly (Includes Item 12)	1
4	•H98149	• Nut	1	12	•040-0008-40	• Setscrew	1
5	002-0242-00	Thermometer	1	13	002-0373-00	Timer (M7-001, M7-003, M7-004)	1
6	H98063	Control Knob (Includes Items 7)	1		002-0373-01	Timer (M7-002)	1
7	•	• Setscrew	1				

Always Specify Model & Serial Number

Front Panel Components

SECTION VI PARTS LIST



MA241101

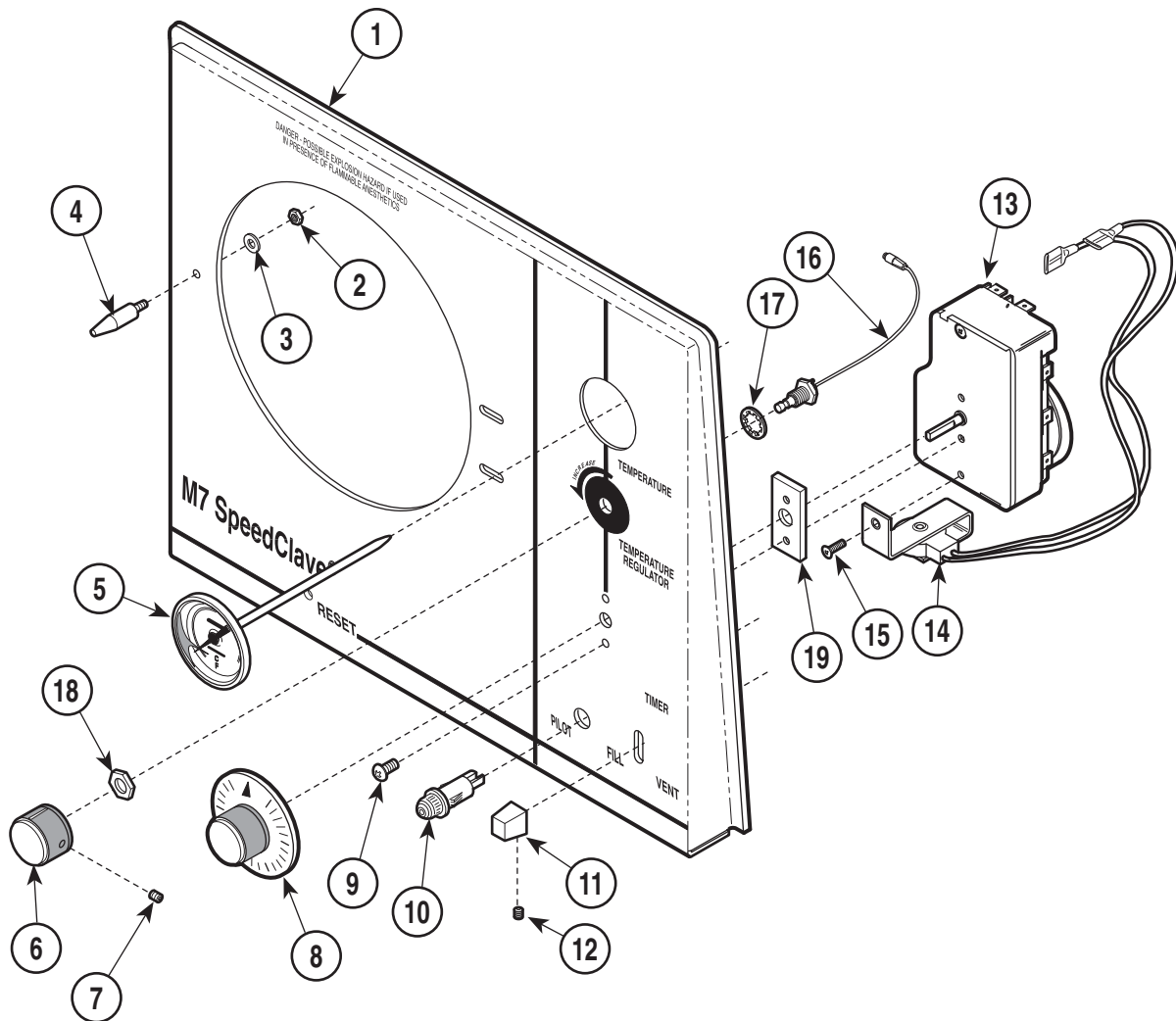
Used on Units with Serial Numbers:
CP1070 thru CP1091 CR1126 thru CR1259 CS1695 thru CS3488
RB8107 thru RB11004

Item	Part No.	Description	Qty.	Item	Part No.	Description	Qty.
1	050-2256-00 050-2256-01	Ritter Panel (M7-001, M7-005)	1	9	040-0008-29	Screw	2
2	H98064	Midmark Panel (M7-002, M7-003, M7-004)	1	10	H98036	Pilot Light (M7-001, M7-003, M7-004, M7-005)	1
3	• HWL008-27	Flexible Shaft Assembly (Includes Item 3 and 4)	1	11	H97747 H98081	Pilot Light (M7-002)	1
4	• H98149	• Lockwasher	1	12	• 040-0008-40	Fill/Vent Knob Assembly (Includes Item 12)	1
5	002-0242-00	• Nut	1	13	002-0373-00	• Setscrew	1
6	H98063	Thermometer	1	14	002-0373-01	Timer (M7-001, M7-003, M7-004, M7-005) [Incl. Items 14 and 15]	1
7	•	Control Knob (Includes Item 7)	1	15	• 015-0745-02 • 015-0745-03 • 040-0008-29	Timer (M7-002) [Incl. Items 14 and 15]	1
8	H98062	• Setscrew	1			• Timer Buzzer (120 volt)	1
		Timer Knob	1			• Timer Buzzer (230 volt)	1
						• Screw	1

Always Specify Model & Serial Number

Front Panel Components

SECTION VI PARTS LIST



MA241103

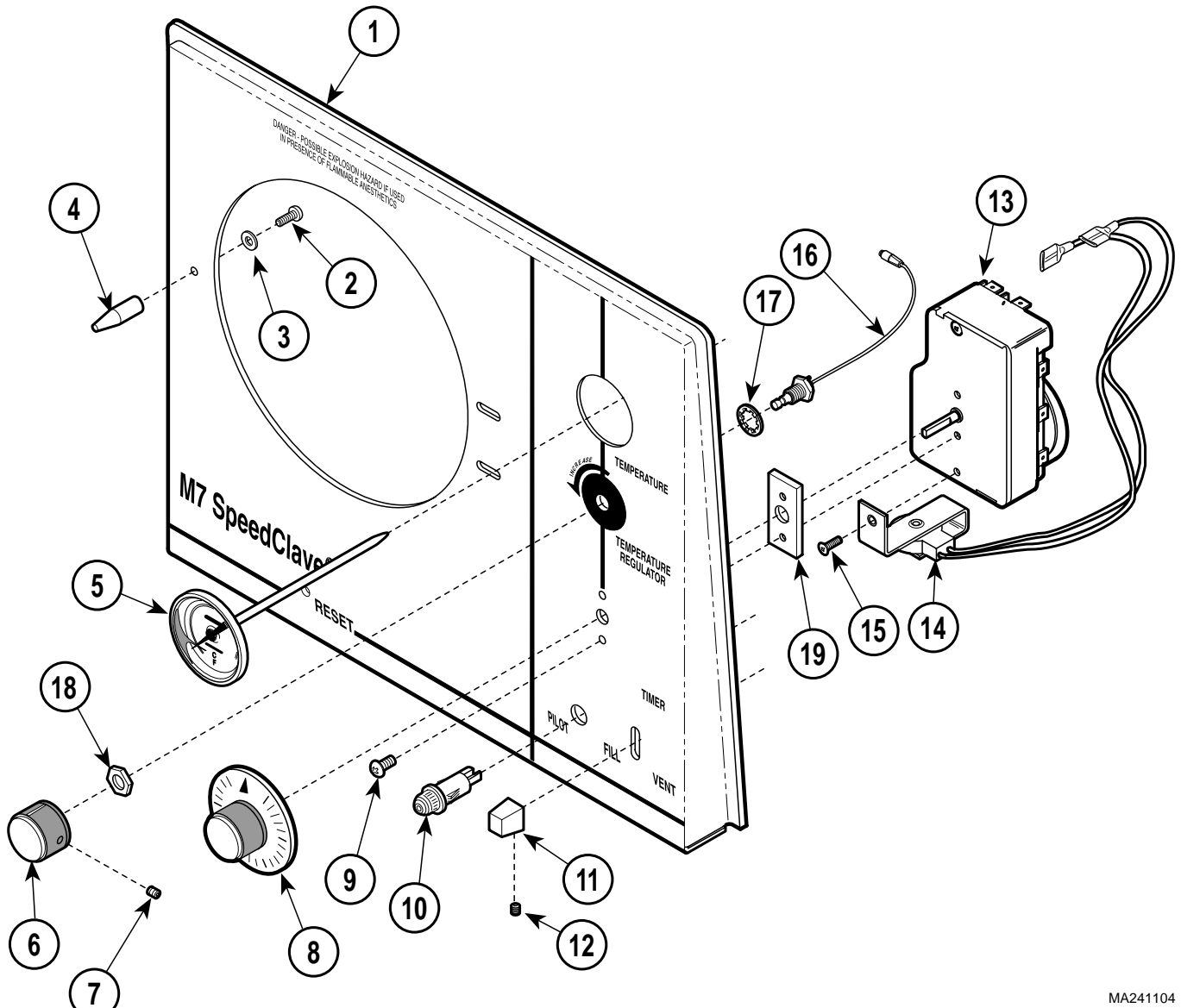
Used on Units with Serial Numbers RB11005 thru RB18474, CP1092 thru CP1149, DR1015 thru DR1267, CR-1260 thru CR1724, CS3489 thru CS8328, FM1000 thru FM1545 and FN1000 thru FN1309

Item	Part No.	Description	Qty.	Item	Part No.	Description	Qty.
1	050-2360-00 050-2360-01	Ritter Panel (M7-001)	1		H97747	Pilot Light (M7-002)	1
		Midmark Panel (M7-002, M7-003, M7-004)	1	11	H98076	Fill/Vent Knob Assembly (Includes Item 12)	1
	050-2360-12	Special Panel (M7-005, M7-006)	1	12	• 040-0008-40	• Setscrew	1
2	041-0010-01	Nut	1	13	002-0373-00	Timer (M7-001, M7-003, M7-004, M7-005) [Incl.Items 14 and 15]	1
3	045-0001-08	Lockwasher	1		002-0373-01	Timer (M7-002) [Incl.Items 14 and 15]	1
4	057-0370-00	Alignment Pin	1	14	• 015-0745-02	• Timer Buzzer (120 volt)	1
5	002-0242-00	Thermometer	1		• 015-0745-03	• Timer Buzzer (230 volt)	1
6	H98063	Control Knob (Includes Item 7)	1	15	• 040-0008-29	• Screw	1
7	•	• Setscrew	1	16	H98064	Flexible Shaft Assembly (Includes Item 17 and 18)	1
8	H98062	Timer Knob	1	17	• HWL008-27	• Lockwasher	1
9	040-0008-29	Screw	2	18	• H98149	• Nut	1
10	H98036	Pilot Light (M7-001, M7-003, M7-004, M7-005)	1	19	050-3051-00	Spacer	1

Always Specify Model & Serial Number

Front Panel Components

SECTION VI PARTS LIST



MA241104

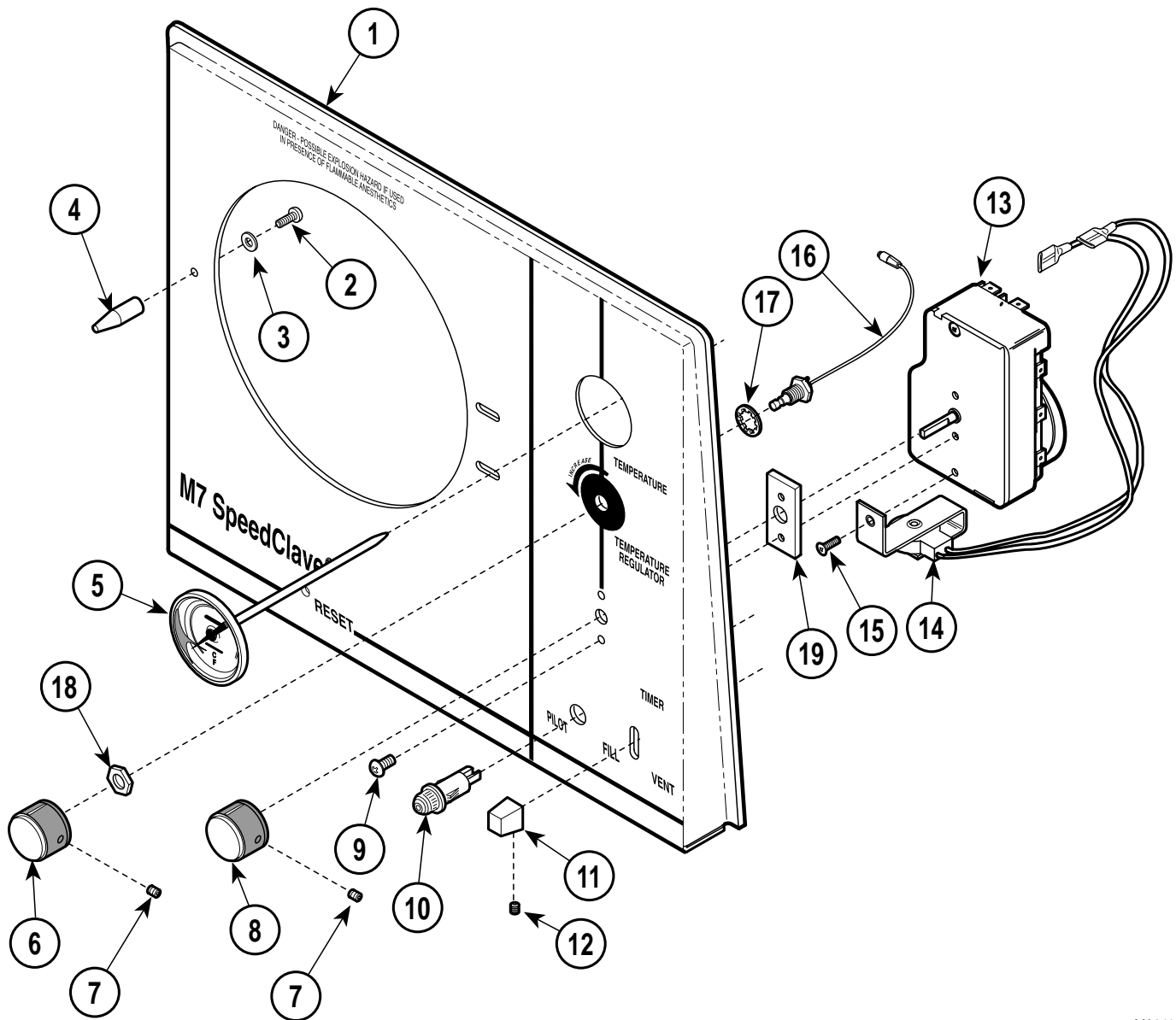
Used on Units with Serial Numbers RB18475 thru RB21249, CR1725 thru CR1904, CS8319 and CS11602, FM1546 thru FM1875, and FN1310 thru FN1499

Item	Part No.	Description	Qty.	Item	Part No.	Description	Qty.
1	050-2360-00	Ritter Panel (M7-001)	1	11	H98076	Fill / Vent Knob Assembly (Includes Item 12)	1
	050-2360-01	Midmark Panel (M7-002, M7-003, M7-004)	1	12	• 040-0008-40	• Setscrew	1
	050-2360-12	Special Panel (M7-005, M7-006)	1	13	002-0373-00	Timer (M7-001, M7-003, M7-004, M7-005) [Incl. Items 14 and 15]	1
2	040-0010-75	Screw	1		002-0373-01	Timer (M7-002, M7-006) [Incl. Items 14 and 15]	1
3	045-0001-08	Lockwasher	1		015-0744-02	Timer (Units with "DR" S/N Prefix)	1
4	057-0461-00	Alignment Pin	1	14	• 015-0745-02	• Timer Buzzer (120 volt)	1
5	002-0242-00	Thermometer	1		• 015-0745-03	• Timer Buzzer (230 volt)	1
6	H98063	Control Knob (Includes Item 7)	1	15	• 040-0008-29	• Screw	1
7	•	• Setscrew	1	16	H98064	Flexible Shaft Assembly (Includes Item 17 and 18)	1
8	H98062	Timer Knob	1	17	• HWL008-27	• Lockwasher	1
9	040-0008-29	Screw	2	18	• H98149	• Nut	1
10	H98036	Pilot Light (M7-001, M7-003, M7-004, M7-005)	1	19	050-3051-00	Spacer	1
	H97747	Pilot Light (M7-002, M7-006)	1				

Always Specify Model & Serial Number

Front Panel Components

SECTION VI PARTS LIST



MA241105

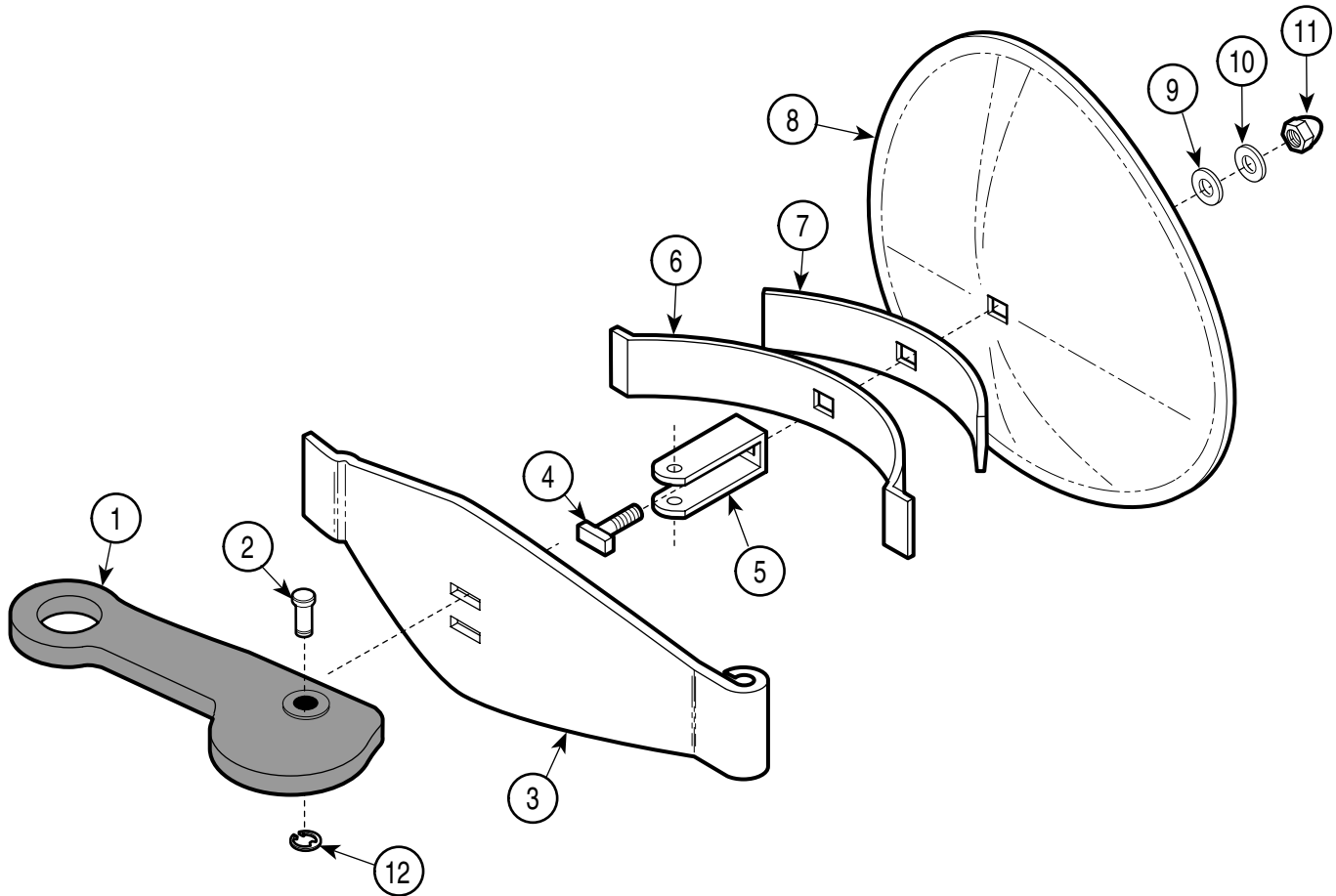
Used on Units with Serial Numbers RB21250, CP1150, DR1268, CR1905, CS11603 FM1876 and FN1500 thru Present

Item	Part No.	Description	Qty.	Item	Part No.	Description	Qty.
1	050-2360-03	Ritter Panel (M7-001)	1	11	H98076	Fill / Vent Knob Assembly (Includes Item 12)	1
	050-2360-04	Midmark Panel (M7-002, M7-003, M7-004)	1	12	• 040-0008-40	• Setscrew	1
	050-2360-15	Special Panel (M7-005, M7-006)	1	13	002-0373-00	Timer (M7-001, M7-003, M7-004, M7-005) [Incl. Items 14 and 15]	1
2	040-0010-75	Screw	1		002-0373-01	Timer (M7-002, M7-006) [Incl. Items 14 and 15]	1
3	045-0001-08	Lockwasher	1		015-0744-02	Timer (Units with "DR" S/N Prefix)	1
4	057-0461-00	Alignment Pin	1	14	• 015-0745-02	• Timer Buzzer (120 volt)	1
5	002-0242-00	Thermometer	1		• 015-0745-03	• Timer Buzzer (230 volt)	1
6	053-1008-01	Control Knob (Includes Item 7)	1	15	• 040-0008-29	• Screw	1
7	•	• Setscrew	1	16	H98064	Flexible Shaft Assembly (Includes Item 17 and 18)	1
8	053-1008-00	Timer Knob	1	17	• HWL008-27	• Lockwasher	1
9	040-0008-29	Screw	2	18	• H98149	• Nut	1
10	H98036	Pilot Light (M7-001, M7-003, M7-004, M7-005)	1	19	050-3051-00	Spacer	1
	H97747	Pilot Light (M7-002, M7-006)	1				

Always Specify Model & Serial Number

Door Assembly

SECTION VI PARTS LIST



MA240702

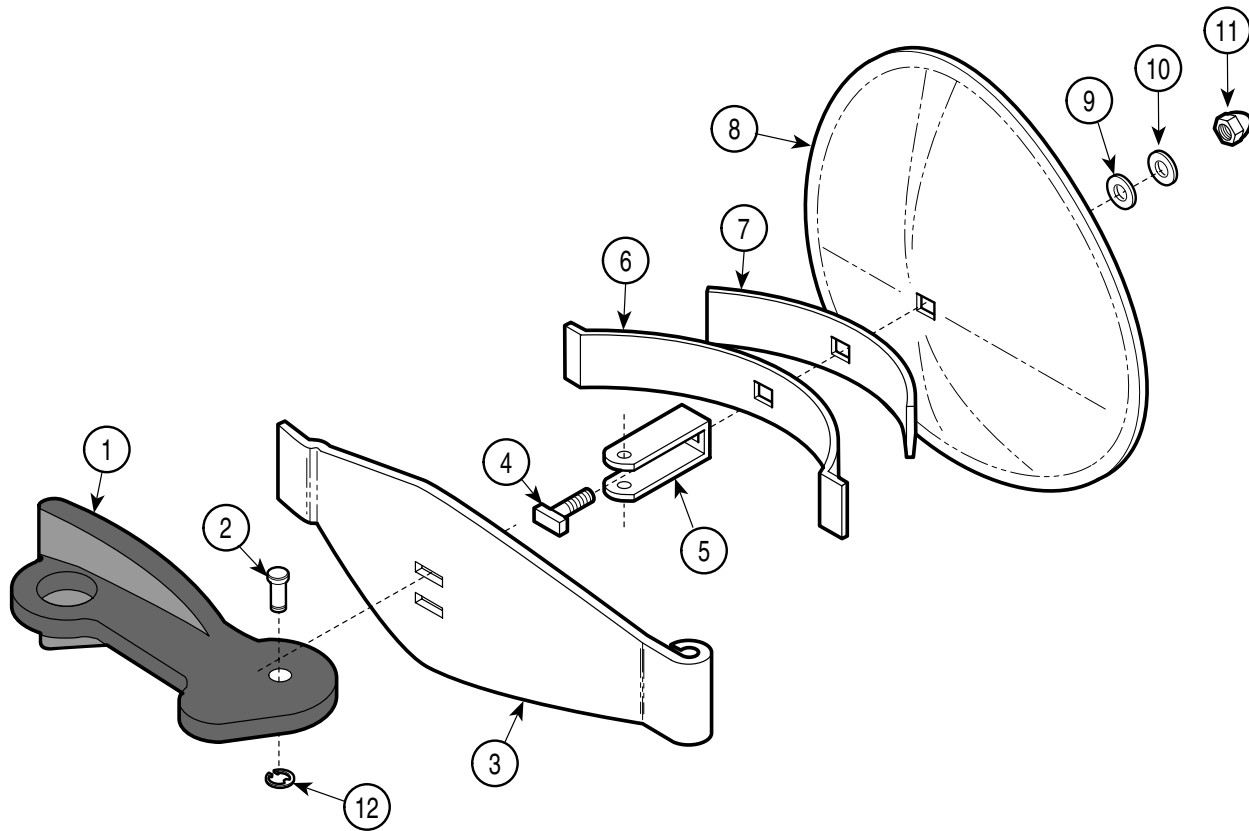
**Used on Units with Serial Numbers:
CP1000 thru CP1071 CR1000 thru CR1225 CS1000 thru CS3103
RB1000 thru RB11004 DR1000 thru DR1014**

Item	Part No.	Description	Qty.	Item	Part No.	Description	Qty.
	002-0249-00	Door Assembly (Includes Items 1 thru 12)	1	6	H96775	• Long Spring	1
1	• 002-0248-00	• Handle (Apply Valve Lubricant #064-0002-01)	1	7	H96774	• Short Spring	1
2	• H97989	• Pin	1	8	H106313	• Door	1
3	• H96751-1	• Door Cross Arm	1	9	053-1579-00	• Gasket	1
4	• H96772	• "T" Bolt	1	10	H96771	• Washer	1
5	• H96776	• "U" Bracket	1	11	H96773	• Cap Nut (Apply Loctite #042-0024-02)	1
				12	042-0007-07	• Retaining Ring	1

Always Specify Model & Serial Number

Door Assembly

SECTION VI PARTS LIST



MA240700

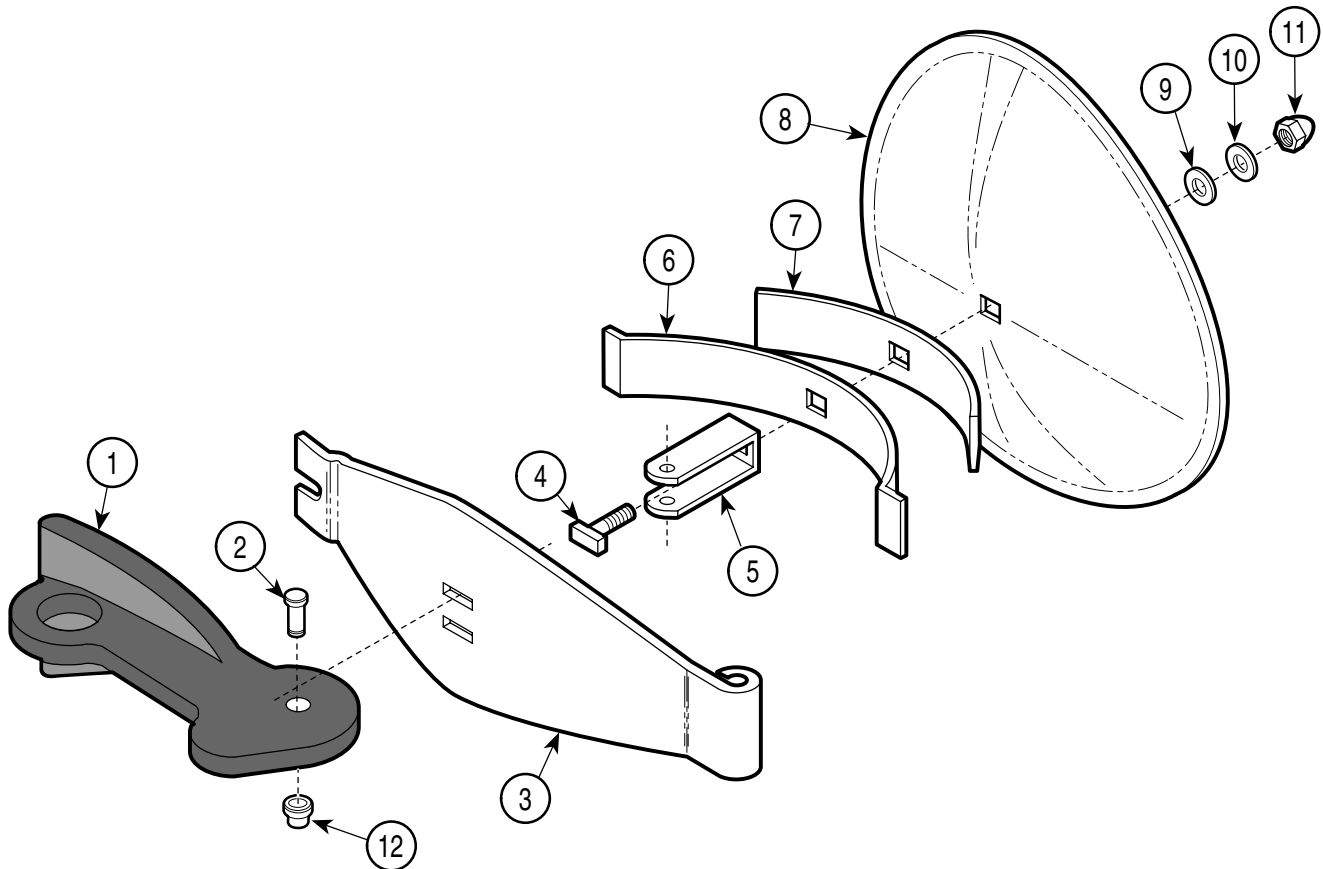
Used on Units with Serial Numbers:
CP1072 thru CP1091 CR1226 thru CR1259 CS3104 thru CS3488
RB10146 thru RB11004

Item	Part No.	Description	Qty.	Item	Part No.	Description	Qty.
	002-0249-00	Door Assembly (Includes Items 1 thru 12)	1	6	H96775	• Long Spring	1
1	• 053-0513-00	• Handle (Apply Valve Lubricant #064-0002-01)	1	7	H96774	• Short Spring	1
2	• H97989	• Pin	1	8	H106313	• Door	1
3	• H96751-1	• Door Cross Arm	1	9	• 053-1579-00	• Gasket	1
4	• H96772	• "T" Bolt	1	10	H96771	• Washer	1
5	• H96776	• "U" Bracket	1	11	H96773	• Cap Nut (Apply Loctite #042-0024-02)	1
				12	• 042-0007-03	• Retaining Ring	1

Always Specify Model & Serial Number

Door Assembly

SECTION VI PARTS LIST



MA240703

**Used on Units with Serial Numbers RB11005, CP1092, DR1015,
CR1260, CS3489, FM1000 and FN1000 thru Present**

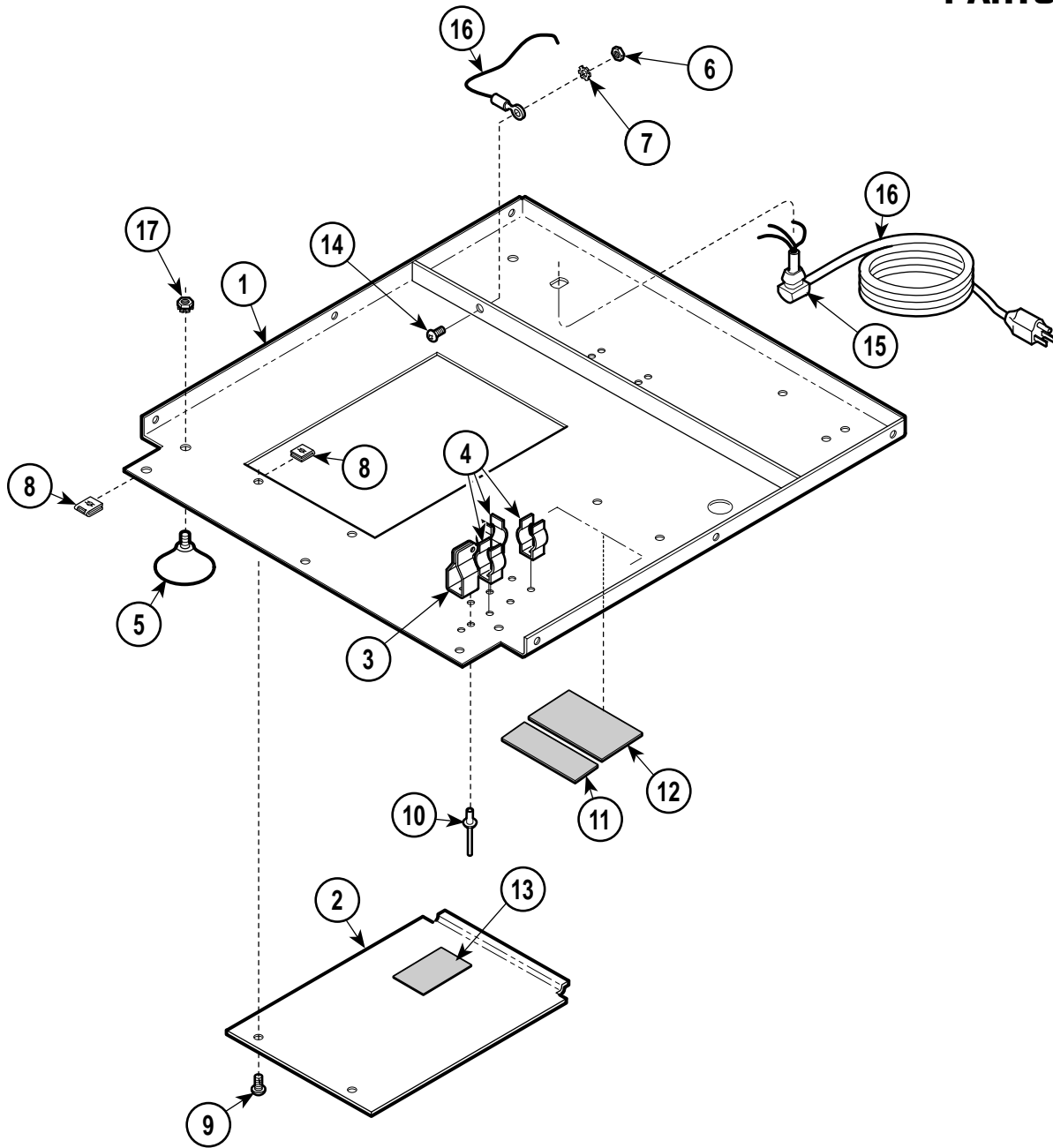
Item	Part No.	Description	Qty.	Item	Part No.	Description	Qty.
	002-0249-00	Door Assembly (Includes Items 1 thru 12)	1	6	H96775	• Long Spring	1
1	• 053-0513-00	• Handle (Apply Valve Lubricant #064-0002-01)	1	7	H96774	• Short Spring	1
2	• 042-0005-16	• Clevis Pin	1	8	H106313	• Door	1
3	• 050-2359-00	• Door Cross Arm	1	9	053-1579-00	• Gasket	1
4	• H96772	• "T" Bolt	1	10	H96771	• Washer	1
5	• H96776	• "U" Bracket	1	11	H96773	• Cap Nut (Apply Loctite #042-0024-02)	1
				12	K906034	• Push Nut	1

Always Specify Model & Serial Number

This Page Intentionally Left Blank

Base Components

SECTION VI PARTS LIST



MA241201

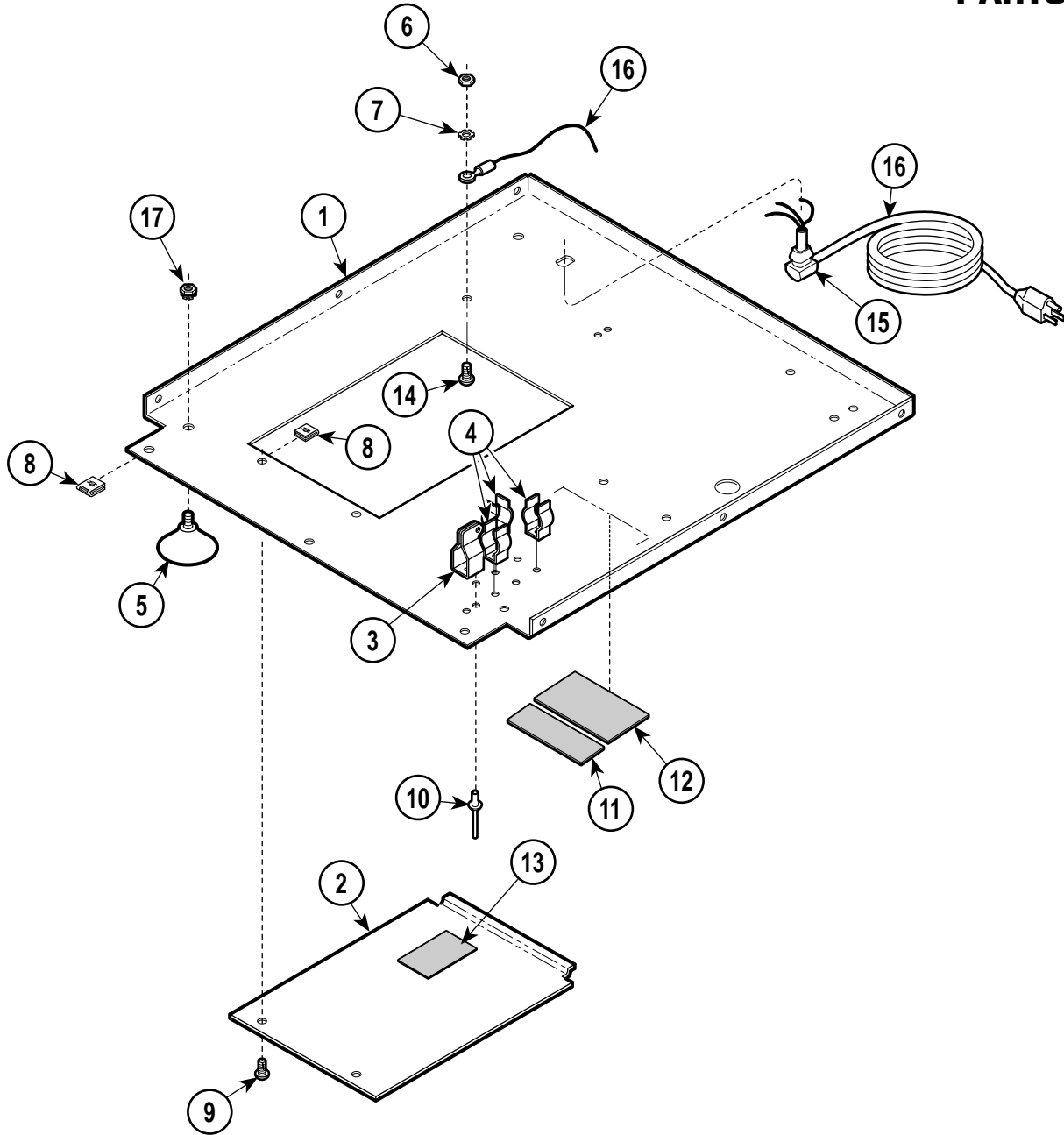
Used on Units with Serial Numbers:
CP1000 thru CP1061 CR1000 thru CR1154 CS1000 thru CS1975
RB1000 thru RB7986 DR1000 thru DR1014

Item	Part No.	Description	Qty.	Item	Part No.	Description	Qty.
1	050-2255-10	Base	1	12		Serial Number Tag	Ref
2	H98006	Inspection Cover	1	13	061-0394-00	Warning Label	1
3	050-1926-00	Vent Lever Bracket	1	14	040-0010-74	Screw	1
4	H98072	Clip	3	15	045-0001-08	Lockwasher	1
5	H98021	Foot	4	15	H98160	Strain Relief	1
6	041-0010-01	Nut	4	16	H98159	Cord (M7-001, M7-003, M7-004, M7-005)	1
7	045-0001-31	Lockwasher	1		H99025	Cord (M7-002)	1
8	H352623	Clip	11	17	122357	Keps Nut	4
9	040-0010-18	Screw	2				
10	042-0010-07	Poprivet	5				
11	061-0052-00	U.L. Label	Ref				

Always Specify Model & Serial Number

Base Components

SECTION VI PARTS LIST



MA241206

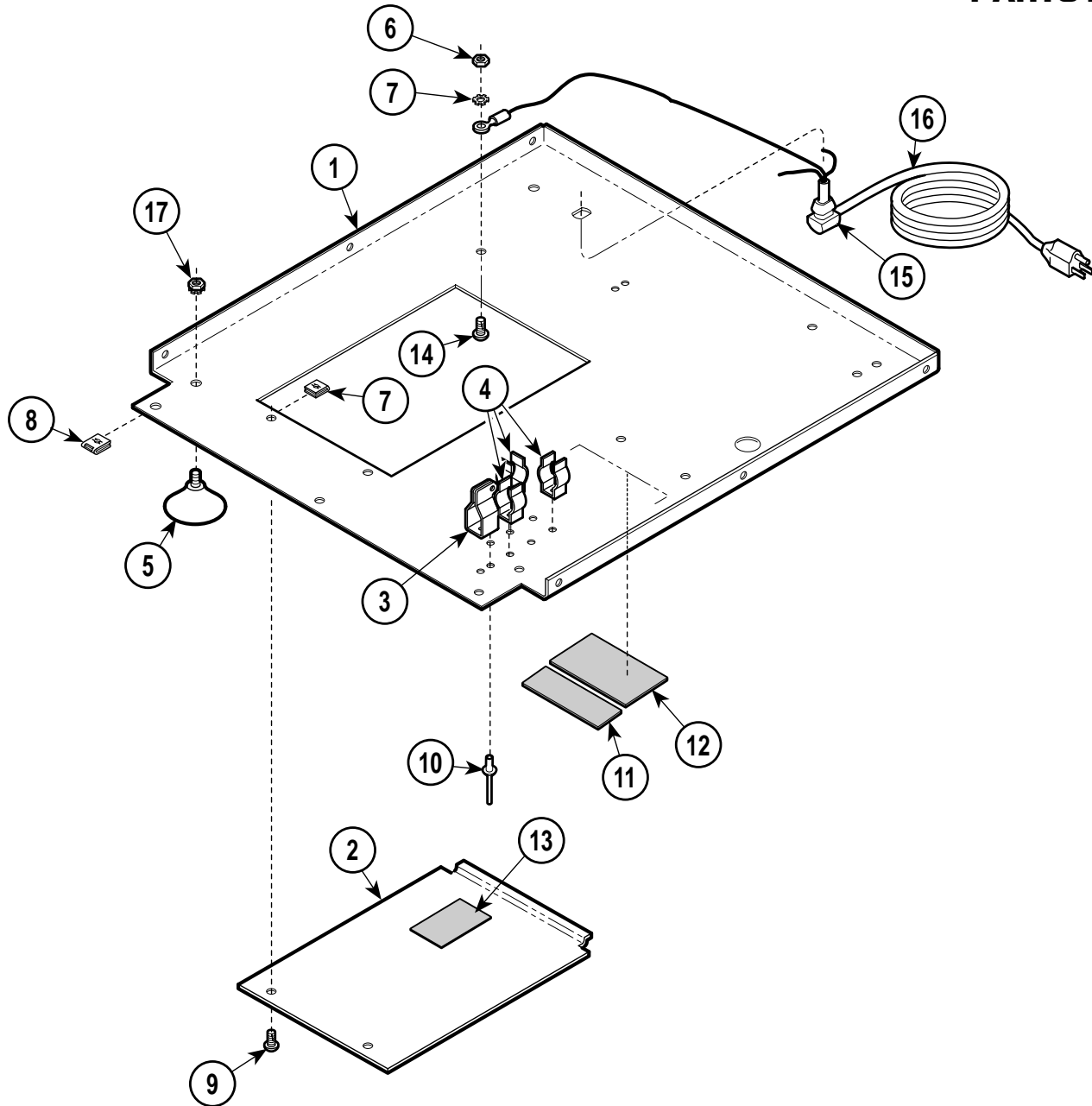
Used on Units with Serial Numbers:
CP1062 thru CP1149 CR1155 thru CR1511 CS1976 thru CS7753
RB7987 thru RB17992 DR1015 thru DR1267

Item	Part No.	Description	Qty.	Item	Part No.	Description	Qty.
1	050-2383-10	Base	1	11	061-0052-00	U.L. Label	Ref
2	H98006	Inspection Cover	1	12		Serial Number Tag	Ref
3	050-1926-00	Vent Lever Bracket	1	13	061-0519-00	Warning Label	1
4	H98072	Clip	3	14	040-0010-74	Screw	1
5	H98021	Foot	4	15	H98160	Strain Relief	1
6	041-0010-01	Nut	4	16	H98159	Cord (M7-00, M7-003, M7-004, M7-005)	1
7	045-0001-08	Lockwasher	15		H99025	Cord (M7-002)	1
8	H352623	Clip	11	17	122357	Keps Nut	4
9	040-0010-125	Screw	2				
10	042-0010-07	Poprivet	5				

Always Specify Model & Serial Number

Base Components

SECTION VI PARTS LIST



MA241205

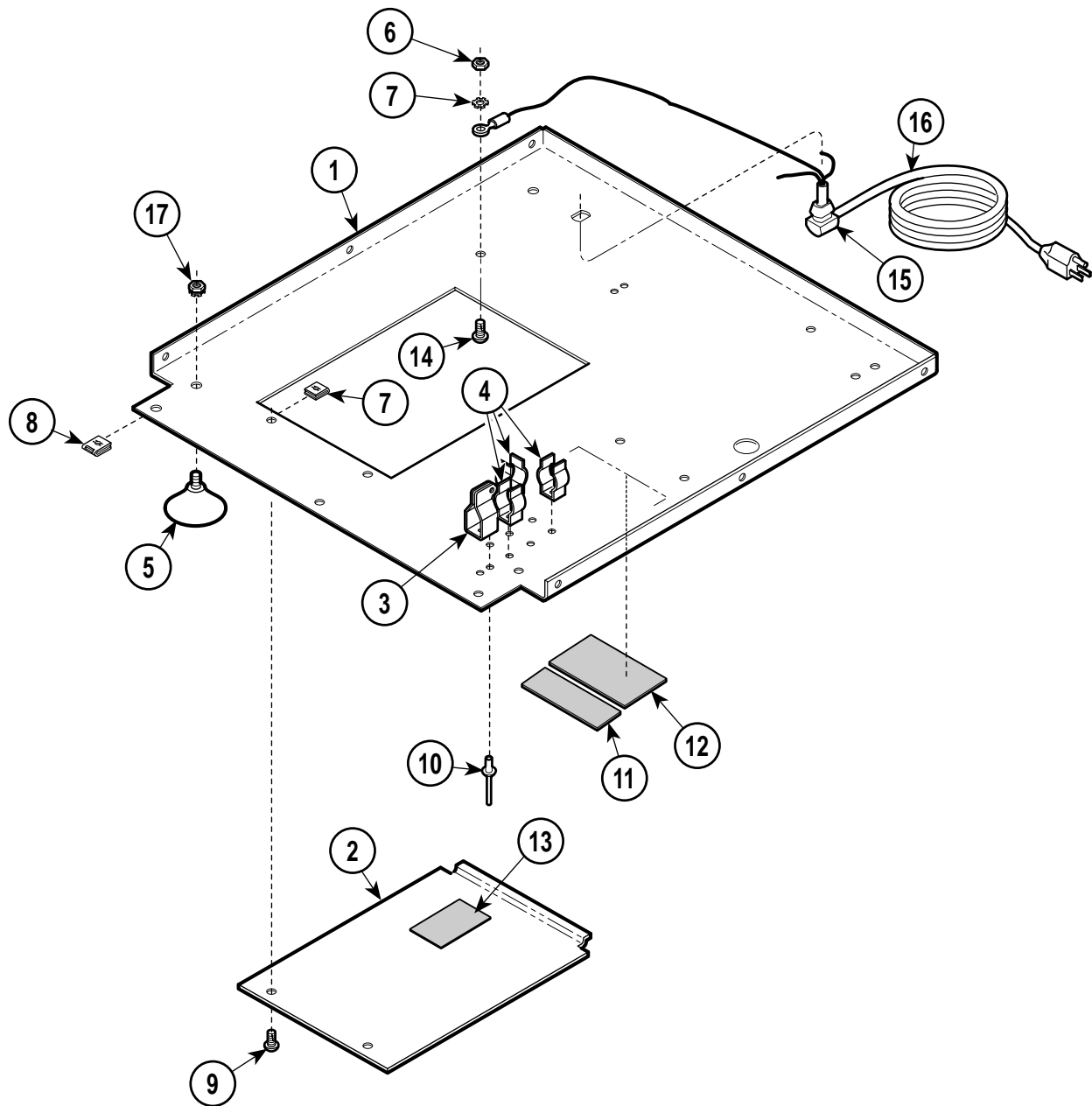
Used on Units with Serial Numbers CR1511 thru CR1685, FM1000 thru FM1425 and FN1000 thru FN1229

Item	Part No.	Description	Qty.	Item	Part No.	Description	Qty.
1	050-2383-00	Base	1	13	061-0519-00	Wiring Diagram Label (M7-001, M7-003 & M7-004)	1
2	H98006	Inspection Cover	1		061-0527-00	Wiring Diagram Label (M7-002)	1
3	050-1926-00	Vent Lever Bracket	1		061-0601-00	Wiring Diagram Label (M7-005)	1
4	H98072	Clip	3		061-0607-00	Wiring Diagram Label (M7-006)	1
5	H98021	Foot	4	14	040-0010-74	Screw	1
6	041-0010-01	Nut	4	15	H98160	Strain Relief	1
7	045-0001-08	Lockwasher	5	16	H98159	Cord (M7-001, M7-003, M7-004, M7-005)	1
8	H352623	Clip	11		015-0688-13	Cord (M7-002, M7-006)	1
9	040-0010-125	Screw	2	17	122357	Keps Nut	4
10	042-0010-07	Poprivet	5				
11	061-0052-00	U.L. Label	Ref				
12		Serial Number Tag	Ref				

Always Specify Model & Serial Number

Base Components

SECTION VI PARTS LIST



MA241205

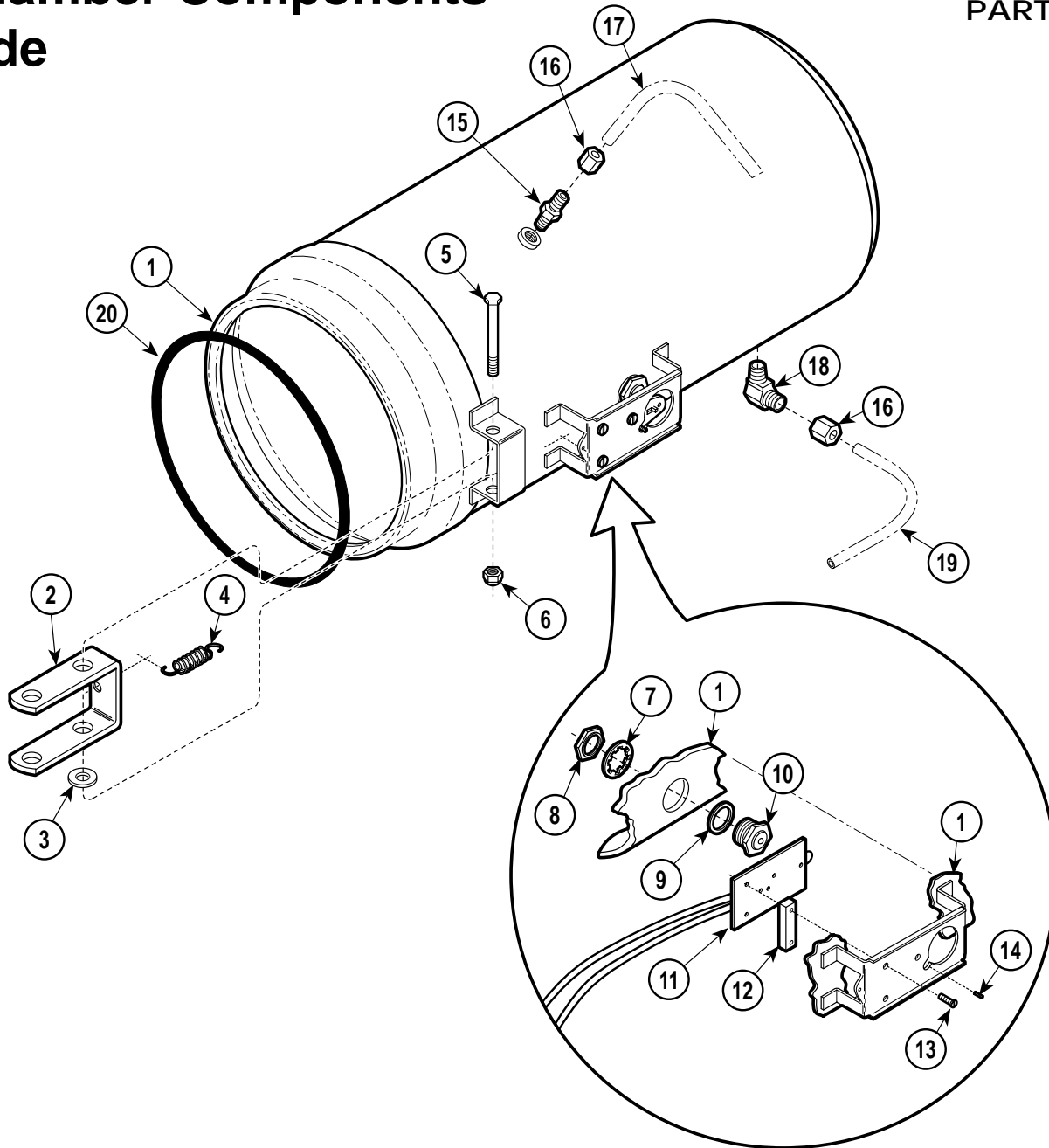
Used on Units with Serial Numbers:RB17993, CR1686, DR1268, CP1150, CS7754, FM1426 and FN11230 thru Present

Item	Part No.	Description	Qty.	Item	Part No.	Description	Qty.
1	050-2383-00	Base	1	13	061-0519-00	Wiring Diagram Label (M7-001, M7-003 & M7-004)	1
2	H98006	Inspection Cover	1		061-0527-00	Wiring Diagram Label (M7-002)	1
3	050-1926-00	Vent Lever Bracket	1		061-0601-00	Wiring Diagram Label (M7-005)	1
4	H98072	Clip	3		061-0607-00	Wiring Diagram Label (M7-006)	1
5	H98021	Foot	4	14	040-0010-74	Screw	1
6	041-0010-01	Nut	4	15	H98160	Strain Relief	1
7	045-0001-08	Lockwasher	5	16	H98159	Cord (M7-001, M7-003, M7-004, M7-005)	1
8	H352623	Clip	11		015-0688-13	Cord (M7-002, M7-006)	1
9	040-0010-125	Screw	2	17	122357	Keps Nut	4
10	042-0010-07	Poprivet.....	5				
11	061-0052-00	U.L. Label	Ref				
12		Serial Number Tag	Ref				

Always Specify Model & Serial Number

Chamber Components - Side

SECTION VI PARTS LIST



MA240903

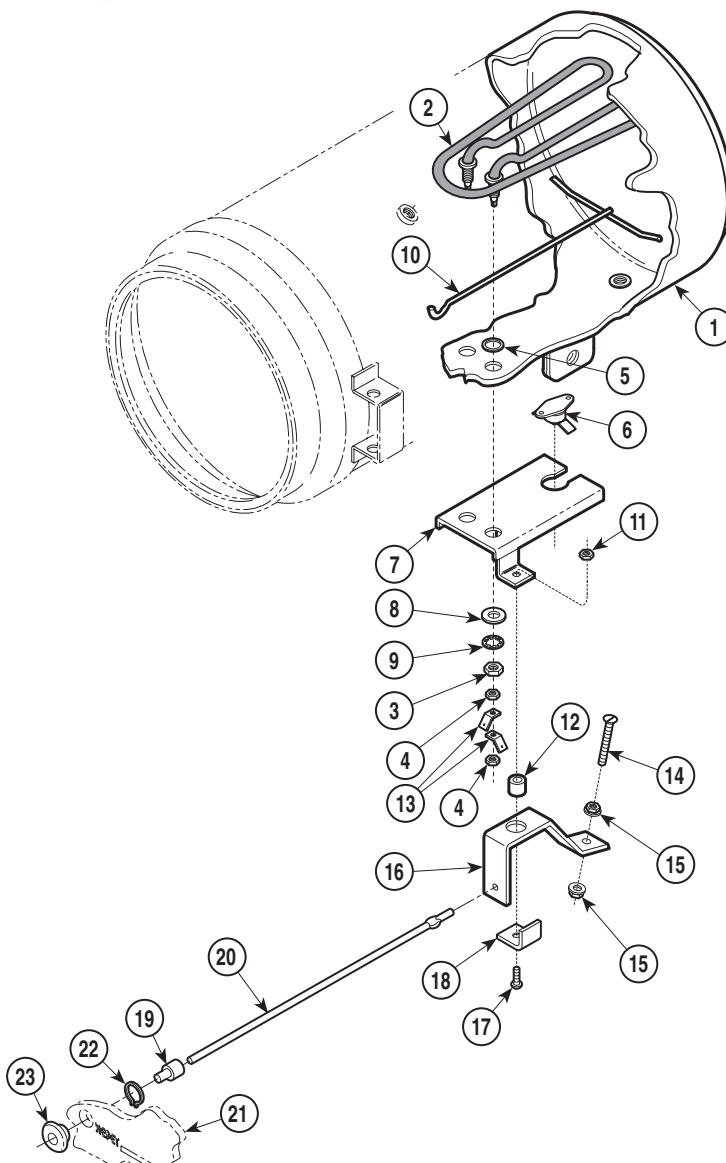
Used on Units with Serial Numbers RB1000, CP1000, CR1000 DR1000, CS1000, CS1000, FM1000 and FN1000 thru Present

Item	Part No.	Description	Qty.	Item	Part No.	Description	Qty.
1	002-0516-00	Shell (Includes Compression Fittings) ...	1	12	H97951	Relay Spacer (M7-001, M7-003, M7-004, M7-005)	1
2	H96768	Small Hinge	1	13	040-0006-44	Screw	3
3	045-0001-57	Washer	1	14	040-0008-47	Set Screw	1
4	H106330	Spring	1	15	014-0183-01	Fitting	1
5	040-0250-69	Screw	1	16	014-0392-00	Compression Nut	1
6	041-0250-15	Nut	1	17		Tubing	Ref
7	H97076	Lockwasher	1	18	014-0184-01	Fitting	1
8	H97075	Nut	1	19		Tubing	Ref
9	H97966	Gasket	1	20	002-0243-00	Door Gasket	1
10	H97948	Diaphragm Cup	1				
11	002-0838-00	Relay (M7-001, M7-003, M7-004, M7-005) [Shown]	1				
	002-0265-00	Relay (M7-002 & M7-006)	1				

Always Specify Model & Serial Number

Chamber Components - Lower

SECTION VI PARTS LIST



MA241001

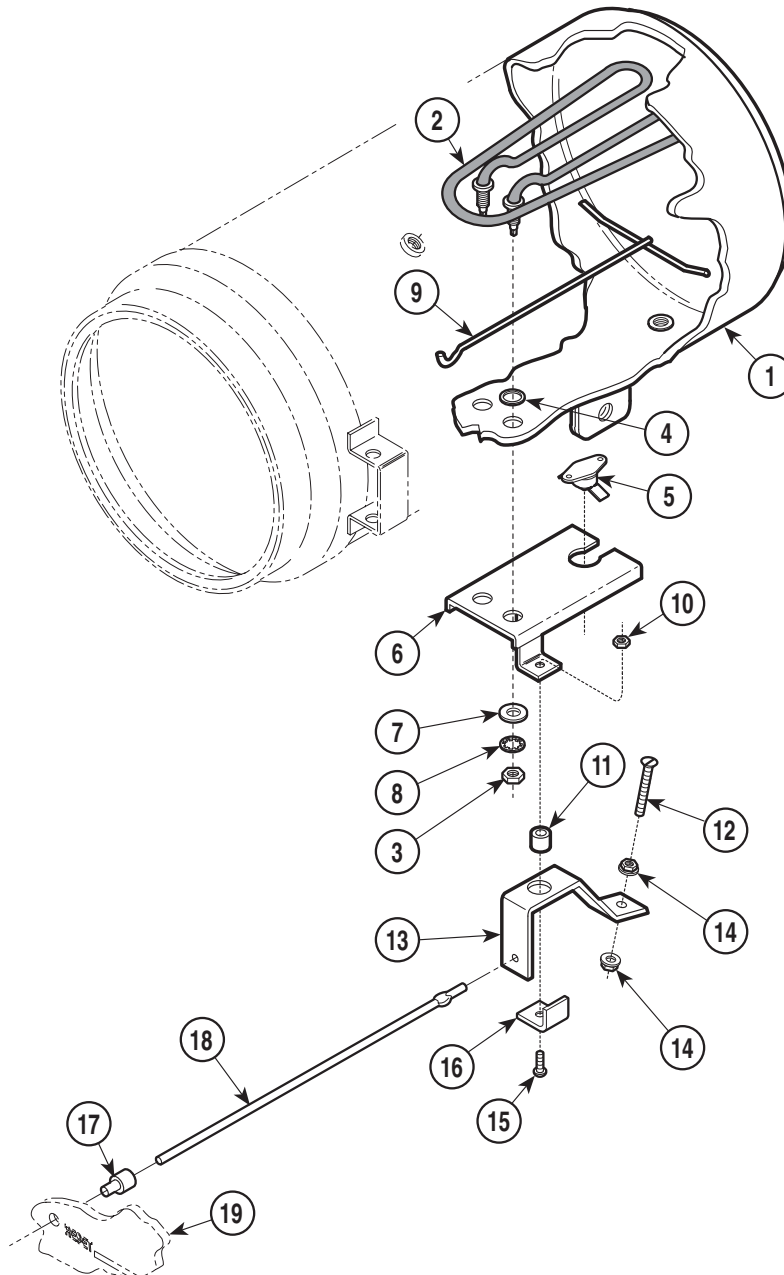
Used on Units with Serial Numbers:
CP1000 thru CP1091 CR1000 thru CR1259 CS1000 thru CS3488
RB1000 thru RB11004 DR1000 thru DR1014

Item	Part No.	Description	Qty.	Item	Part No.	Description	Qty.
1		Chamber (Refer to "Chamber Components - Side" Elsewhere)	Ref	13	015-0595-00	Terminal	4
2	002-0839-00	Heater (M7-001, M7-004, M7-005)	1		H225404	Rocker Assembly (Includes Item 12, Item 13 and Item 14)	1
	H284687-2	Heater (M7-002) [Includes Items 3]	1	14	040-0006-43	Screw	1
	H284687-3	Heater (M7-003) [Includes Items 3]	1	15	041-0006-02	Locknut	2
3	H97949	Nut	2	16	H98050	Rocker Bracket	1
4		Nut	4	17	040-0010-74	Screw	1
5	H98137	Gasket	2	18	H225619	Bracket	1
6	H225639	Thermostat	1		002-0239-00	Reset Button Kit	1
7	030-0929-00	Bracket	1	19	H98040	Reset Button	1
8	H97971	Washer	1	20	H98043	Rod	1
9	045-0001-56	Lockwasher	2	21		Front Panel (Refer to "Front Panel Components" Elsewhere)	Ref
10	H225913	Spacer	1	22	042-0065-01	Retaining Ring	1
11	041-0010-10	Nut	1	23	H98041	Reset Button Guide	1
12	H225620	Spacer	1				

Always Specify Model & Serial Number

Chamber Components - Lower

SECTION VI PARTS LIST



MA241000

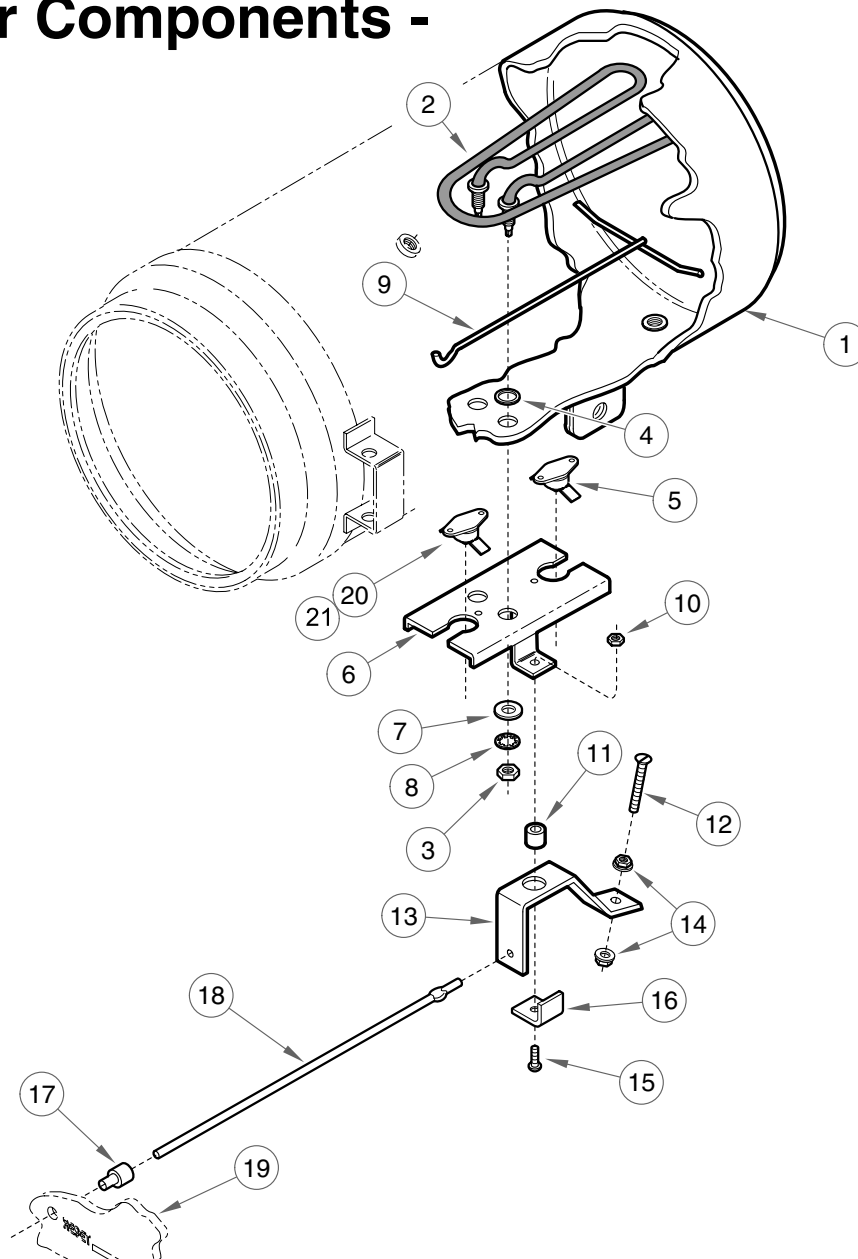
Used on Units with Serial Numbers: CS3489 thru CS5296 RB11005 thru RB14564

Item	Part No.	Description	Qty.	Item	Part No.	Description	Qty.
1		Chamber (Refer to "Chamber Components - Side" Elsewhere)	Ref	10	041-0010-10	Nut	1
2	002-0839-00	Heater (M7-001, M7-004, M7-005) [Includes Items 3 and 4]	1	11	H225620	Spacer	1
	015-0839-01	Heater (M7-002) [Includes Items 3]	1		H225404	Rocker Assembly (Includes Item 6, Item 15, Item 14)	1
	015-0894-02	Heater (M7-003) [Includes Items 3]	1	12	040-0006-43	Screw	1
3	H97949	Nut	2	13	050-2597-00	Rocker Bracket	1
4	H98137	Gasket	2	14	041-0006-02	Locknut	2
5	H225639	Thermostat	1	15	040-0010-74	Screw	1
6	030-0929-00	Bracket	1	16	H225619	Bracket	1
7	H97971	Washer	1	17	N.L.A.	Reset Button	1
8	045-0001-56	Lockwasher	2	18	057-0372-00	Rod	1
9	H225913	Spacer	1	19		Front Panel (Refer to "Front Panel Components" Elsewhere)	Ref

N.L.A. Denotes "No Longer Available"
Always Specify Model & Serial Number

Chamber Components - Lower

SECTION VI PARTS LIST



MA241003

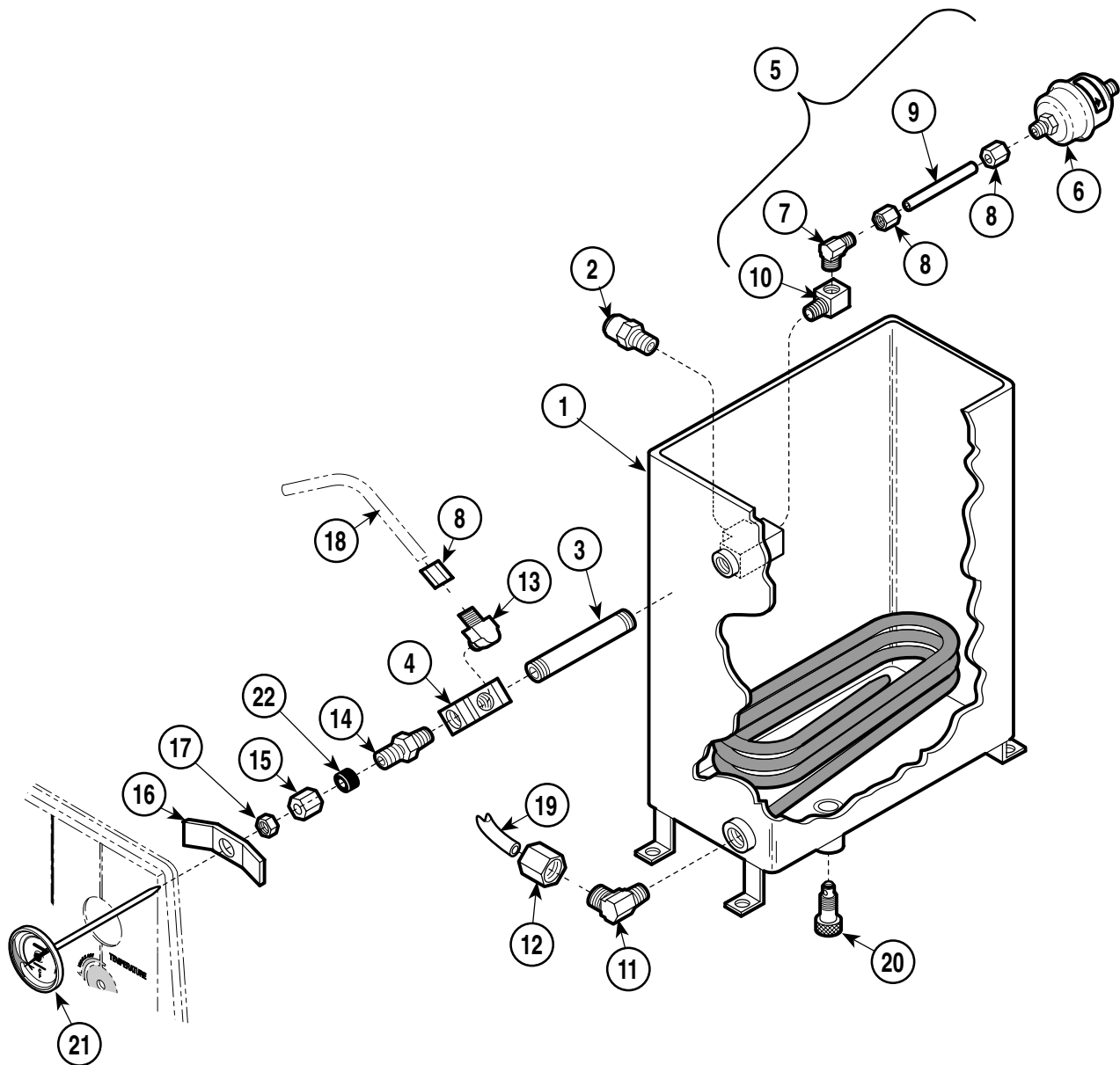
**Used on Units with Serial Numbers RB14565, CP1092, DR1015
CR1260, CS5297, FM1000 and FN1000 thru Present**

Item	Part No.	Description	Qty.	Item	Part No.	Description	Qty.
1		Chamber (Refer to "Chamber Components - Side" Elsewhere)	Ref	11	H225620	Spacer	1
2	002-0839-00	Heater (M7-001, M7-004, M7-005)	1		H225404	Rocker Assembly (Includes Item 6, Item 15, Item 14)	1
	015-0839-01	Heater (M7-002, M7-006 [Includes Item 3 and 4]	1	12	040-0006-43	Screw	1
	015-0894-02	Heater (M7-003) [Includes Items 3]	1	13	050-2597-00	Rocker Bracket	1
3	H97949	Nut	2	14	041-0006-02	Locknut	2
4	H98137	Gasket	2	15	040-0010-74	Screw	1
5	H225639	Thermostat (Primary)	2	16	H225619	Bracket	1
6	030-0929-00	Bracket	1	17	N.L.A.	Reset Button	1
7	H97971	Washer	1	18	057-0372-00	Rod	1
8	045-0001-56	Lockwasher	2	19		Front Panel (Refer to "Front Panel Components" Elsewhere)	Ref
9	H225913	Spacer	1	20	002-0370-00	Kit, Thermostat (incl. item 21)	1
10	041-0010-10	Nut	1	21	•015-0647-00	Thermostat (Secondary)(M7-001 & 004)	1

N.L.A. Denotes "No Longer Available
Always Specify Model & Serial Number

Tank Assembly

SECTION VI PARTS LIST



MA240804

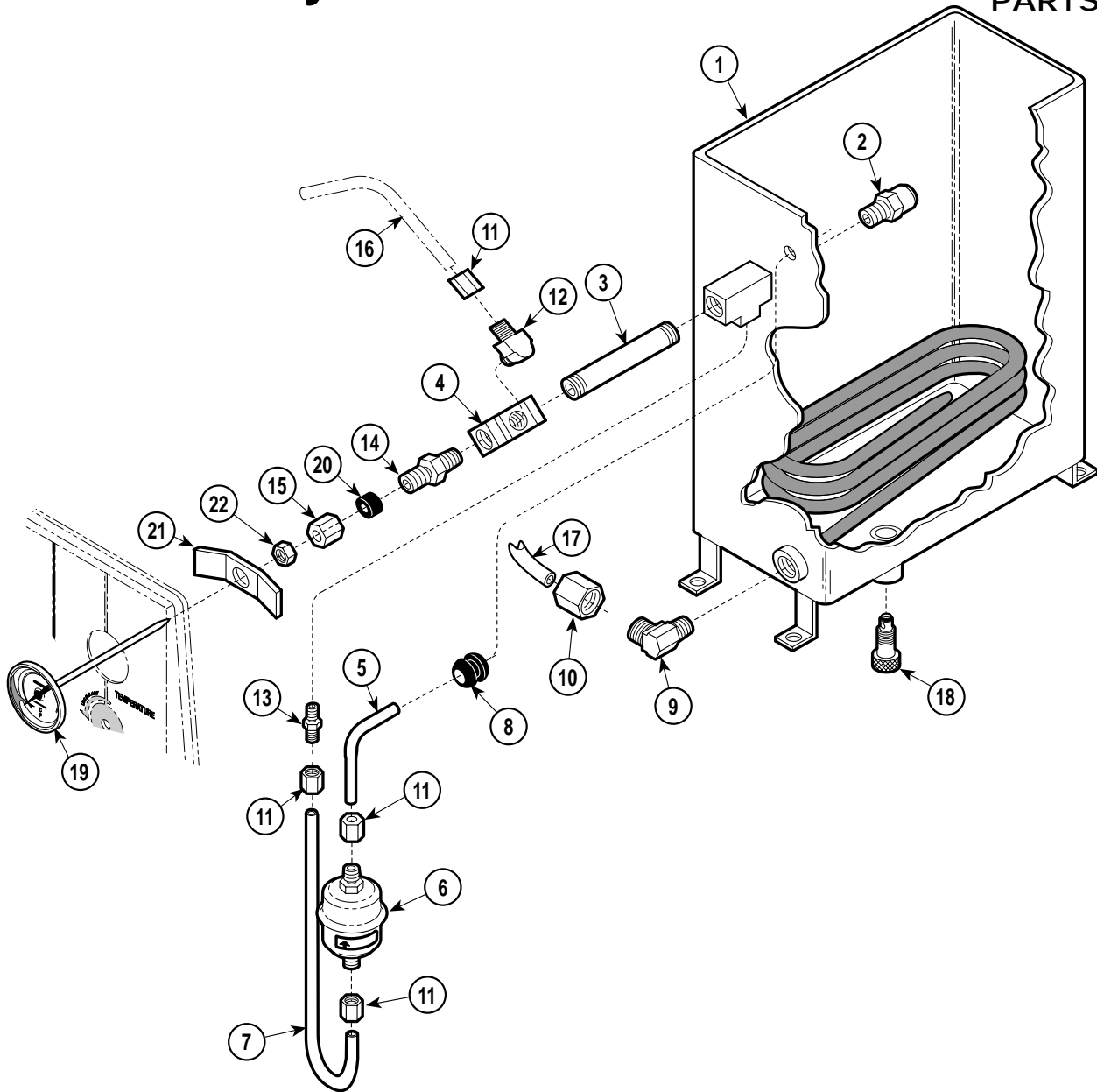
Used on Units with Serial Numbers:
CP1000 thru CP1061 CR1000 thru CR1113 CS1000 thru CS1569
RB1000 thru RB7193

Item	Part No.	Description	Qty.	Item	Part No.	Description	Qty.
	H335950	Tank Assembly (Incls. Items 1 thru 19)	1	12	• 014-0392-01	• Compression Nut	1
1	• H335946	• Tank	1	13	• 014-0184-00	• Male Elbow	1
2	• H98089	• Safety Valve	1	14	• 014-0237-00	• Connector Drilled	1
		(Apply Teflon Tape #014-0026-00)	1	15	• •	• Compression Nut	1
3	• 014-0182-01	• Pipe Nipple	1	16	H224033	Bracket	1
4	• H335945-1	• Pipe "T"	1	17	041-0250-07	Thermometer Nut	1
5	• 002-0272-00	• Bellows Assembly	1	18	H335943	Tube	Ref
6	• • 002-0375-00	• • Bellows	1	19		Tube (Refer to "Sterilizer Main Components" Item 23)	6-5
7	• • 014-0184-00	• • Elbow	1	20	002-0262-00	Drain (Includes O-Ring)	1
8	• • 014-0392-00	• • Compression Nut	1		• H98138	• O-ring	1
9	• • 014-0190-00	• • Tube	1	21	002-0242-00	Thermometer (Includes Item 22)	1
10	• • 014-0194-00	• • Straight "T"	1	22	• H225730	• Thermometer Sleeve	1
11	• 014-0184-01	• Male Elbow	1				

Always Specify Model & Serial Number

Tank Assembly

SECTION VI PARTS LIST



MA240805

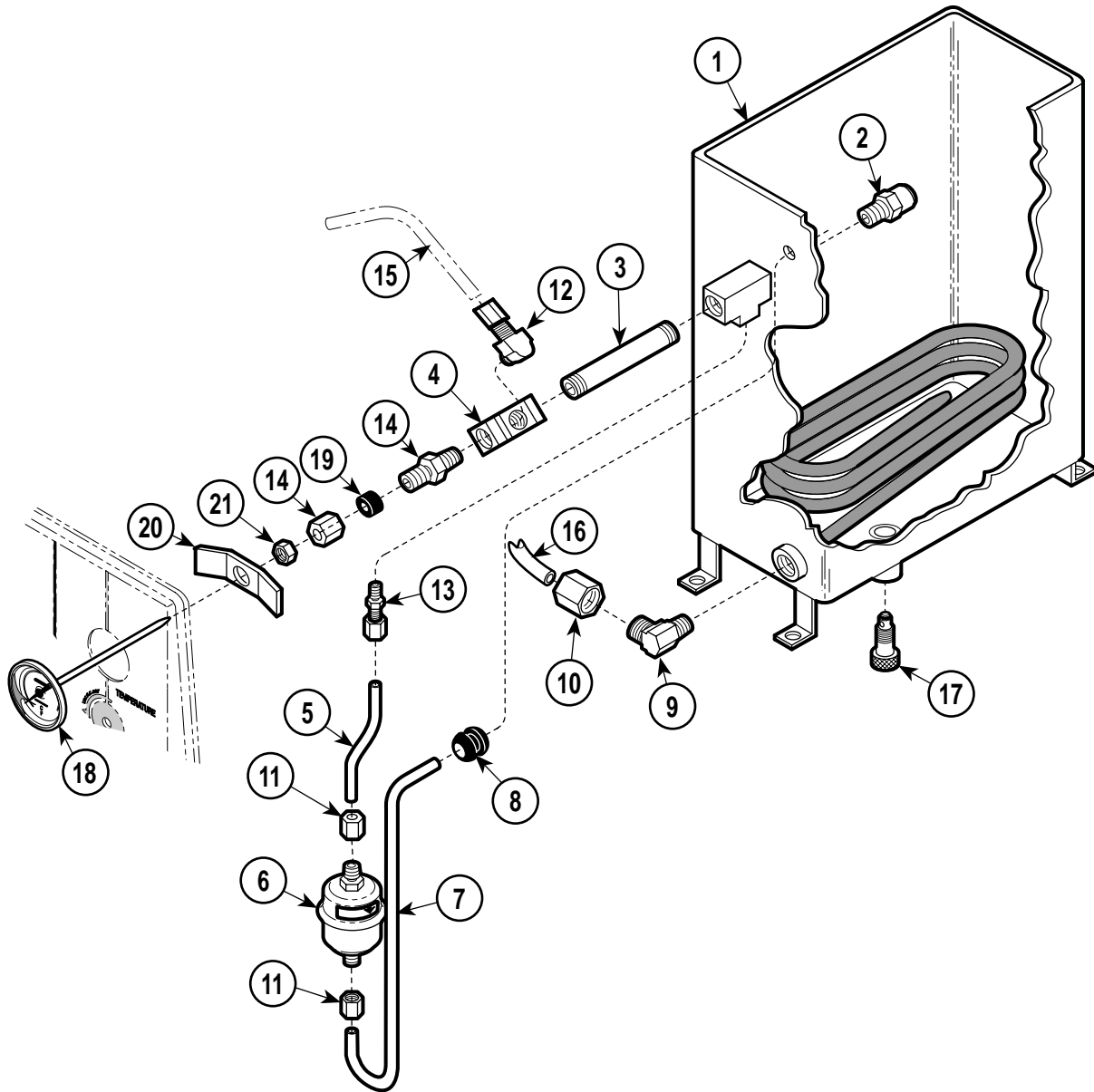
**Used on Units with Serial Numbers:
CR1114 thru CR1157 CS1570 thru CS1975
RB7194 thru RB7986**

Item	Part No.	Description	Qty.	Item	Part No.	Description	Qty.
1	029-1462-00	Tank Assembly(Incls. Items 1 thru 21) ..	1	12	•014-0184-00	• Male Elbow	1
	•030-0799-00	• Tank	1	13	•014-0183-01	• Male Connector	1
2	•H98089	• Safety Valve (Apply Teflon Tape #014-0026-00)	1	14	•014-0237-00	• Connector Drilled	1
3	•014-0182-01	• Pipe Nipple	1	15	••	•• Compression Nut	1
4	•H335945-1	• Pipe "T"	1	16	H335943	Tube	Ref
5	•014-0231-00	• Tube	1	17		Tube (Refer to "Sterilizer Main Components" Item 23)	6-5.1
6	•002-0375-00	• Bellows	1	18	002-0262-00	Drain (Includes O-Ring)	1
7	•014-0232-00	• Tube	1		•H98138	• O-ring	1
8	•053-0394-01	• Grommet	1	19	002-0242-00	Thermometer (Includes Item 22)	1
9	•014-0184-01	• Male Elbow	1	20	•H225730	• Thermometer Sleeve	1
10	••014-0392-01	•• Compression Nut	1	21	H224033	Bracket	1
11	•014-0392-00	• Compression Nut	4	22	041-0250-07	Thermometer Nut	1

Always Specify Model & Serial Number

Tank Assembly

SECTION VI PARTS LIST



MA240808

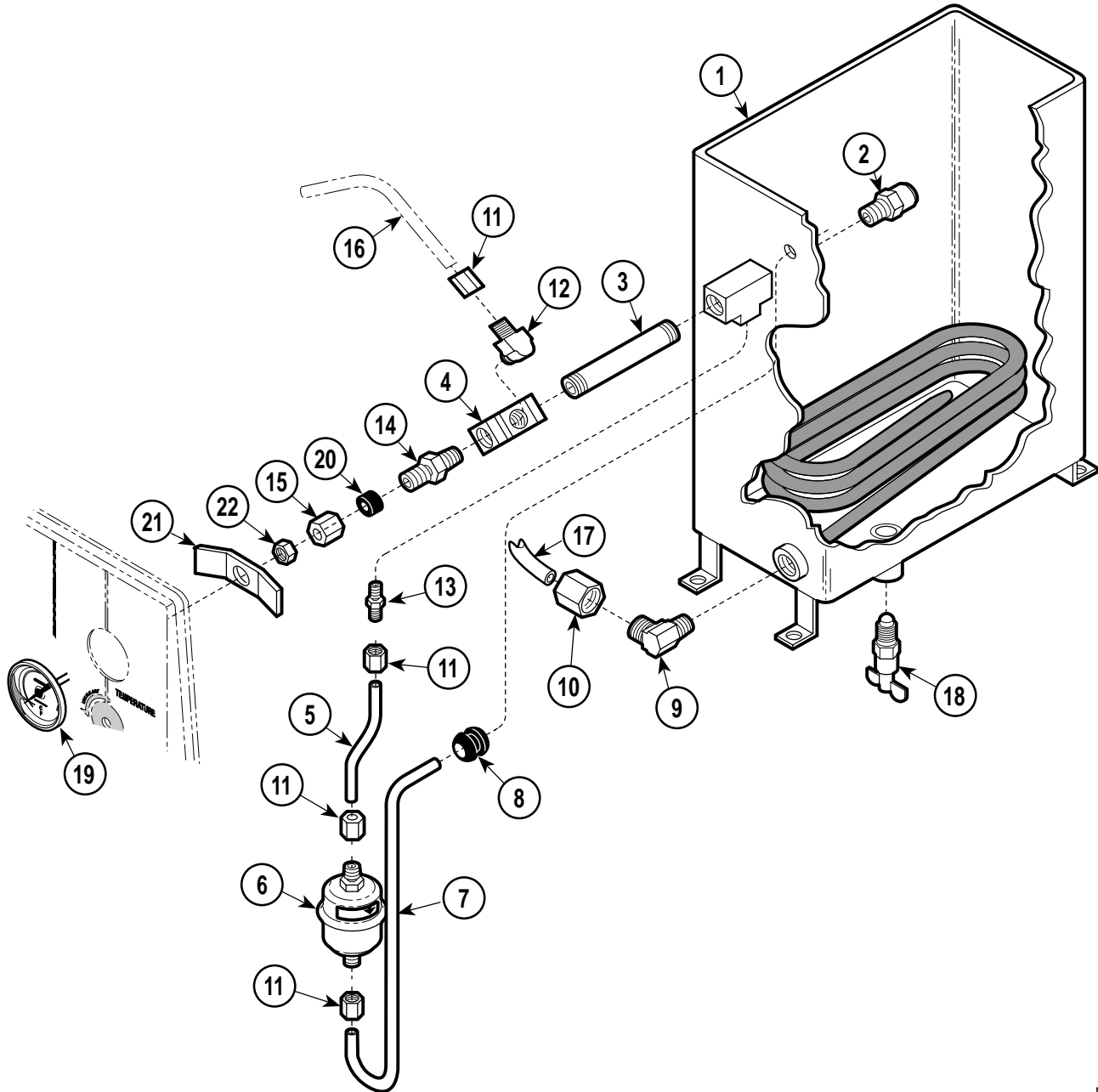
Used on Units with Serial Numbers RB7987 thru RB17992, CR1158 thru CR1685, DR1000 thru DR1267, CP1062 thru CP1149, CS1976 thru CS7753 FM1000 thru FM1425 and FN1000 thru FN1229

Item	Part No.	Description	Qty.	Item	Part No.	Description	Qty.
1	029-1462-00	Tank Assembly (Incls. Items 1 thru 21)	1	12	• 014-0184-00	• Male Connector	1
2	• 030-0799-00	• Tank	1	13	• 014-0183-01	• Connector Drilled	1
	• H98089	• Safety Valve (Apply Teflon Tape #014-0026-00)	1	14	• 014-0237-00	• Compression Nut	1
3	• 014-0182-01	• Pipe Nipple	1	15		Tube (Refer to "Sterilizer Main Components" Elsewhere)	Ref
4	• H335945-1	• Pipe "T"	1	16		Tube (Refer to "Sterilizer Main Components" Item 23)	6-5.1
5	• 014-0241-00	• Tube	1	17	002-0262-00	Drain (Includes O-ring)	1
6	• 002-0375-00	• Bellows	1		• H98138	• O-ring	1
7	• 014-0240-00	• Tube	1	18	002-0242-00	Thermometer (Includes Item 26)	1
8	• 053-0394-01	• Grommet	1	19	• H225730	• Thermometer Sleeve	1
9	• 014-0184-01	• Male Elbow	1	20	H224033	Bracket	1
10	• 014-0392-01	• Compression Nut	1	21	041-0250-07	Thermometer Nut	1
11	• 014-0392-00	• Compression Nut	4				

Always Specify Model & Serial Number

Tank Assembly

SECTION VI PARTS LIST



MA240807

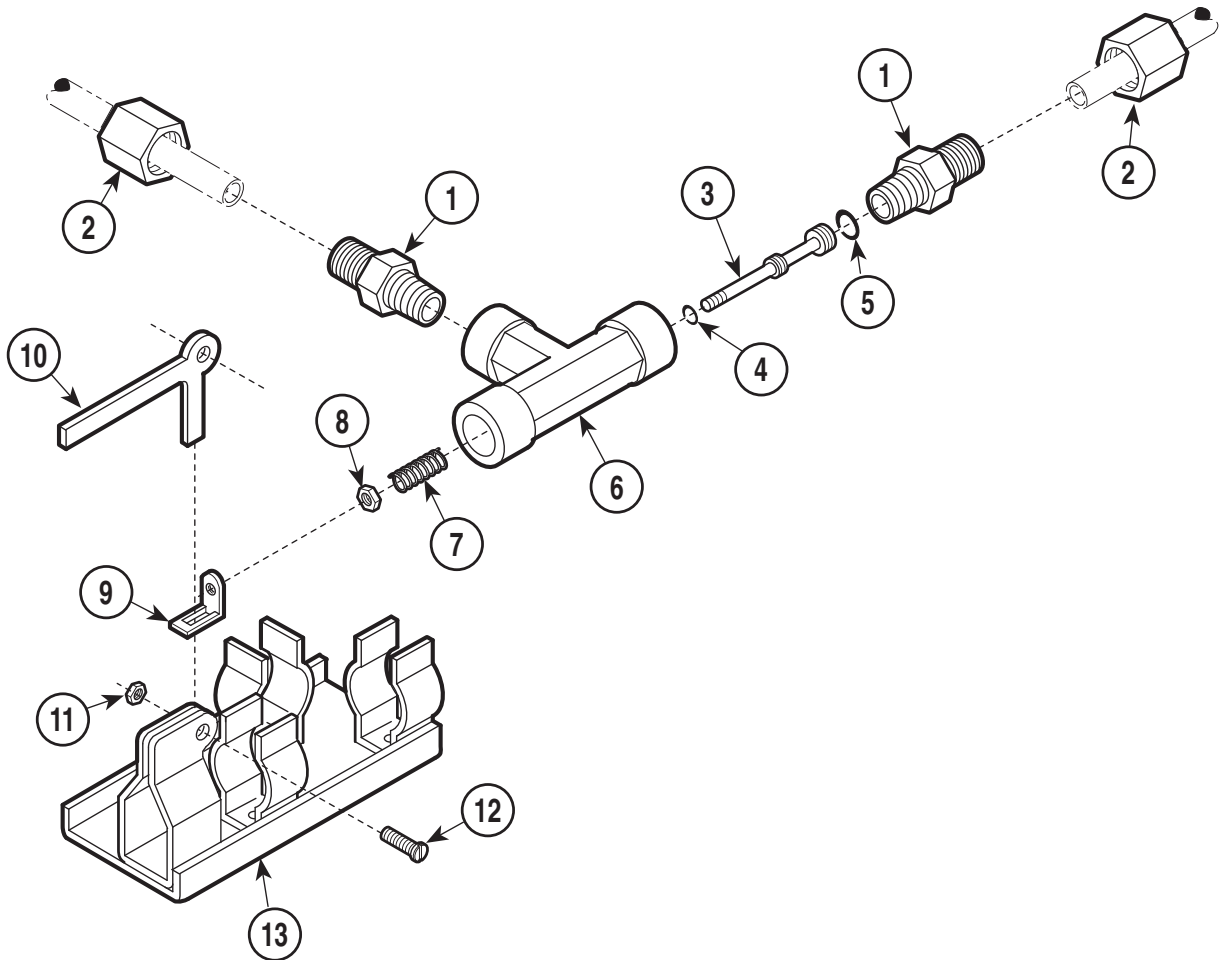
Used on Units with Serial Numbers RB17993, CR1686, DR1268, CP1150, CS7754, FM1426 and FN1230 thru Present

Item	Part No.	Description	Qty.	Item	Part No.	Description	Qty.
1	029-2085-00	Tank Assembly (Incls. Items 1 thru 21)	1	12	•014-0184-00	• Male Elbow	1
2	•030-0994-00	• Tank	1	13	•014-0183-01	• Male Connector	1
	•H98089	• Safety Valve (Apply Teflon Tape #014-0026-00)	1	14	•014-0237-00	• Connector Drilled	1
3	•014-0182-01	• Pipe Nipple	1	15	••	•• Compression Nut	1
4	•H335945-1	• Pipe "T"	1	16		Tube (Refer to "Sterilizer Main Components" Elsewhere)	Ref
5	•014-0241-00	• Tube	1	17		Tube (Refer to "Sterilizer Main Components" Item 23)	6-5.3
6	•002-0375-00	• Bellows	1	18	002-0537-00	Drain-Cock Replacement Kit	1
7	•014-0240-00	• Tube	1	19	002-0242-00	Thermometer (Includes Item 26)	1
8	•053-0394-01	• Grommet	1	20	•H225730	• Thermometer Sleeve	1
9	•014-0184-01	• Male Elbow	1	21	H224033	Bracket	1
10	••014-0392-01	•• Compression Nut	1	22	041-0250-07	Thermometer Nut	1
11	•014-0392-00	• Compression Nut	4				

Always Specify Model & Serial Number

Valve Assembly

SECTION VI PARTS LIST



NOTE: Assembly replaced by 002-0649-00.

MA240602

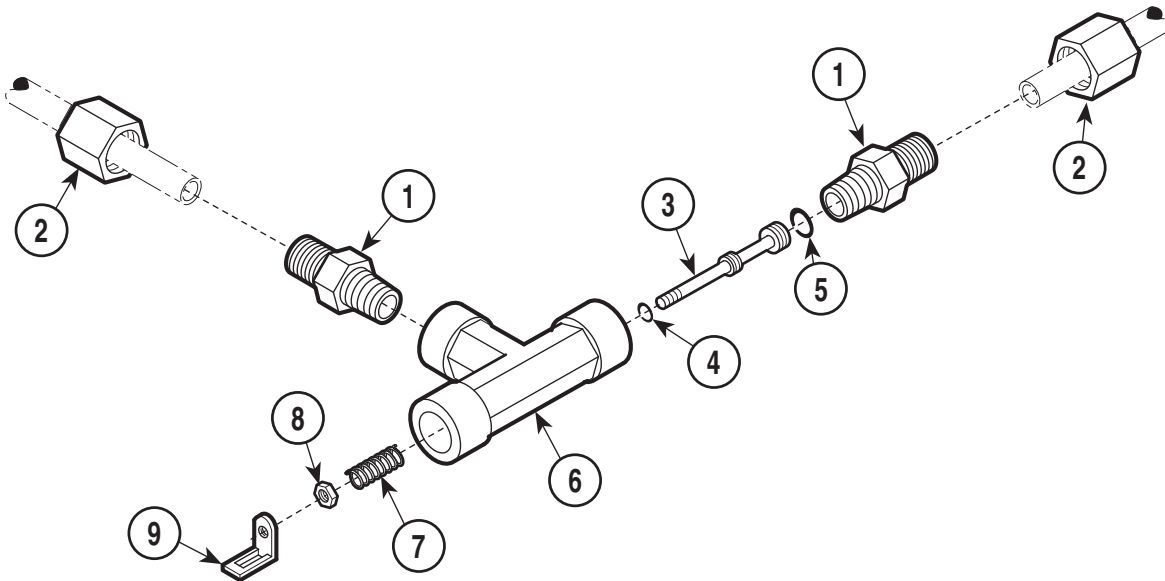
Used On Units Built Prior To 6-21-90

Item	Part No.	Description	Qty.	Item	Part No.	Description	Qty.
	H98080	Valve & Bracket Assembly (Includes Items 1 thru 13)	1	6	H98068	• No Longer Available	1
1	• 014-0183-02	• Fitting	2	7	H98070	• No Longer Available	1
2	• 014-0392-01	• Compression Nut	1	8	041-0010-09	• No Longer Available	1
3	H98069	• No Longer Available	1	9	H98077	• Closing Bracket	1
4	H98138	• O-Ring (Apply High Temp Lube #064-0002-01)	1	10	H98074	• No Longer Available	1
5	H98136	• O-Ring (Apply High Temp Lube #064-0002-01)	1	11	041-0010-08	• No Longer Available	1
				12	040-0010-73	• No Longer Available	1
				13	H98079	• No Longer Available	1

Always Specify Model & Serial Number

Valve Assembly

SECTION VI PARTS LIST



NOTE: Assembly replaced by 002-0649-00.

MA240603

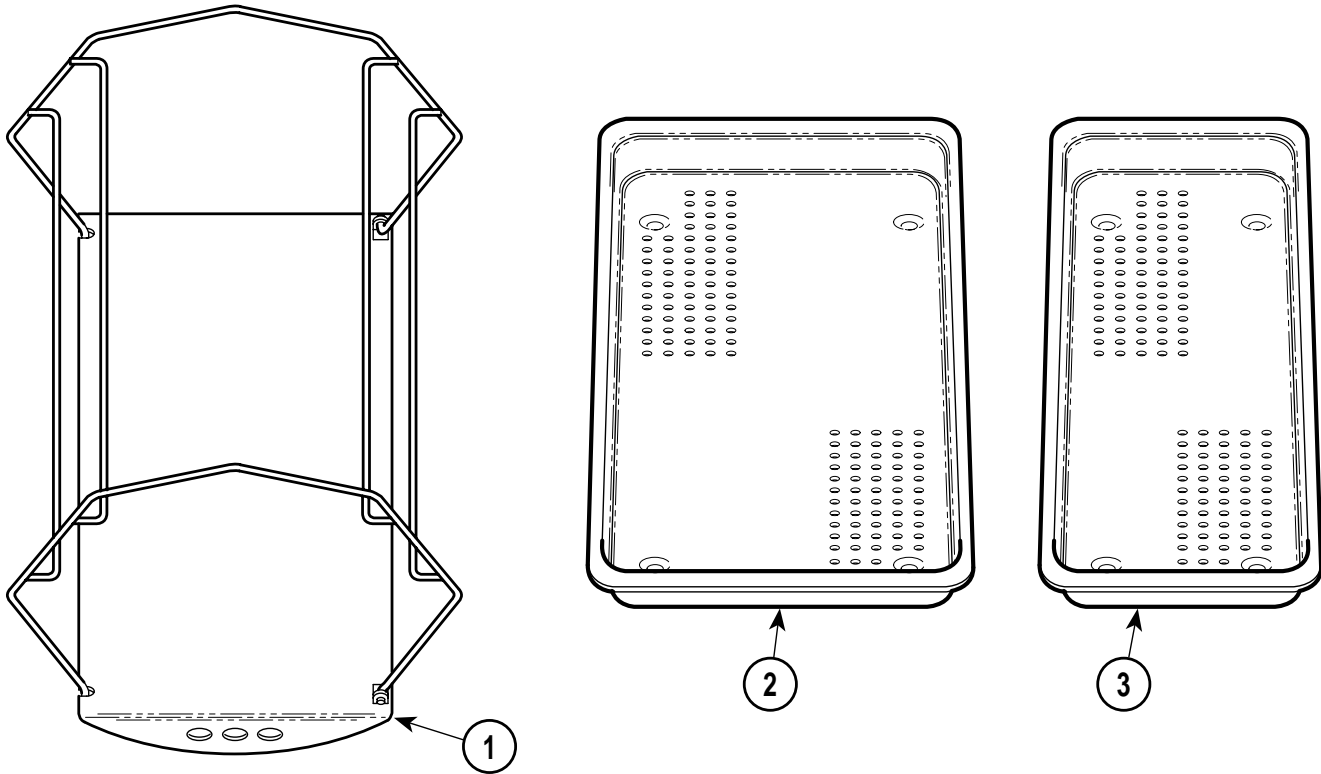
Used On Units Built After 6-21-90

Item	Part No.	Description	Qty.	Item	Part No.	Description	Qty.
	002-0247-00	Valve Assembly	1	5	• H98136	• O-Ring (Apply High Temp Lube #064-0002-01)	1
1	• 014-0183-02	• Fitting	2	6	• H98068	• No Longer Available	1
2	• 014-0392-01	• Compression Nut	1	7	• H98070	• No Longer Available	1
3	• H98069	• No Longer Available	1	8	• 041-0010-09	• No Longer Available	1
4	• H98138	• O-Ring (Apply High Temp Lube #064-0002-01)	1	9	• H98077	• Closing Bracket	1

Always Specify Model & Serial Number

Rack & Trays

SECTION VI PARTS LIST



MA245700

Item	Part No.	Description	Qty.	Item	Part No.	Description	Qty.
1	002-0251-00	Wire Rack Assembly	1	3	002-0252-00	4" Tray	1
2	002-0253-00	5" Tray	2				

Always Specify Model & Serial Number