

# Important Information

## Cleaning

- Clean upholstery with diluted bleach solution. Ratio: ..... 10:1 (water:bleach)
- Clean the table weekly, wiping the wood surface with a clean, soft cloth, and mild detergent.

## Maximum Patient Weight

Max. Patient Weight ..... 350 lbs (158.8 kg)

## Ordering Repair Parts

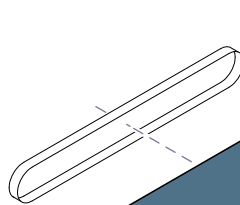
To order repair parts, contact your Midmark dealer.

To contact Midmark directly:

1-800-Midmark (1-800-643-6275)  
8:00 am until 5:00 pm Mon-Fri (EST)

**To install paper tear strap...**  
Slide strap over table as shown.

**Paper Tear Strap**  
(029-0452-02)



**To level the table..**  
Adjust four leveling feet as necessary.

**Leveling Feet**

MA742900i

# Limited Warranty

## SCOPE OF WARRANTY

Midmark Corporation ("Midmark") warrants to the original purchaser its new Alternate Care products and components (except for components not warranted under "Exclusions") manufactured by Midmark to be free from defects in material and workmanship under normal use and service. Midmark's obligation under this warranty is limited to the repair or replacement, at Midmark's option, of the parts or the products the defects of which are reported to Midmark within the applicable warranty period and which, upon examination by Midmark, prove to be defective.

## APPLICABLE WARRANTY PERIOD

The applicable warranty period, measured from the date of delivery to the original user, shall be one (1) year for all warranted products and components.

## EXCLUSIONS

This warranty does not cover and Midmark shall not be liable for the following: (1) repairs and replacements because of misuse, abuse, negligence, alteration, accident, freight damage, or tampering; (2) products which are not installed, used, and properly cleaned as required in the Midmark "Installation" and or "Installation / Operation Manual for this applicable product. (3) products considered to be of a consumable nature; (4) accessories or parts not manufactured by Midmark; (5) charges by anyone for adjustments, repairs, replacement parts, installation, or other work performed upon or in connection with such products which is not expressly authorized in writing in advance by Midmark.

## EXCLUSIVE REMEDY

Midmark's only obligation under this warranty is the repair or replacement of defective parts. Midmark shall not be liable for any direct, special, indirect, incidental, exemplary, or consequential damages or delay, including, but not limited to, damages for loss of profits or loss of use.

## NO AUTHORIZATION

No person or firm is authorized to create for Midmark any other obligation or liability in connection with the products.

**THIS WARRANTY IS MIDMARK'S ONLY WARRANTY AND IS IN LIEU OF ALL OTHER WARRANTIES, EXPRESS OR IMPLIED. MIDMARK MAKES NO IMPLIED WARRANTIES OF ANY KIND INCLUDING ANY WARRANTIES OF MERCHANTABILITY OR FITNESS FOR ANY PARTICULAR PURPOSE. THIS WARRANTY IS LIMITED TO THE REPAIR OR REPLACEMENT OF DEFECTIVE PARTS.**

SF-1487 REV. A1

Midmark Corporation  
60 Vista Drive  
Versailles, OH 45380-0286  
Phone: 937-526-3662  
Fax: 937-526-5542  
midmark.com



Because we care.



# Owner's Guide 95 Treatment Table

**Model Number:**

**Serial Number:**

**Dealer Info:**

**Purchase Date:**

**Upholstery Color:**

003-1649-00 Rev. F



MA746900p

# Assembly Instructions

## Step 1:

Lay table top assembly (upholstered side down), on a clean surface.

## Step 2:

Secure leg assemblies with carriage bolts & nuts\*.  
\*Note: Do not tighten nuts at this time.

## Step 3:

Secure cross brace with drywall screws.

## Step 4:

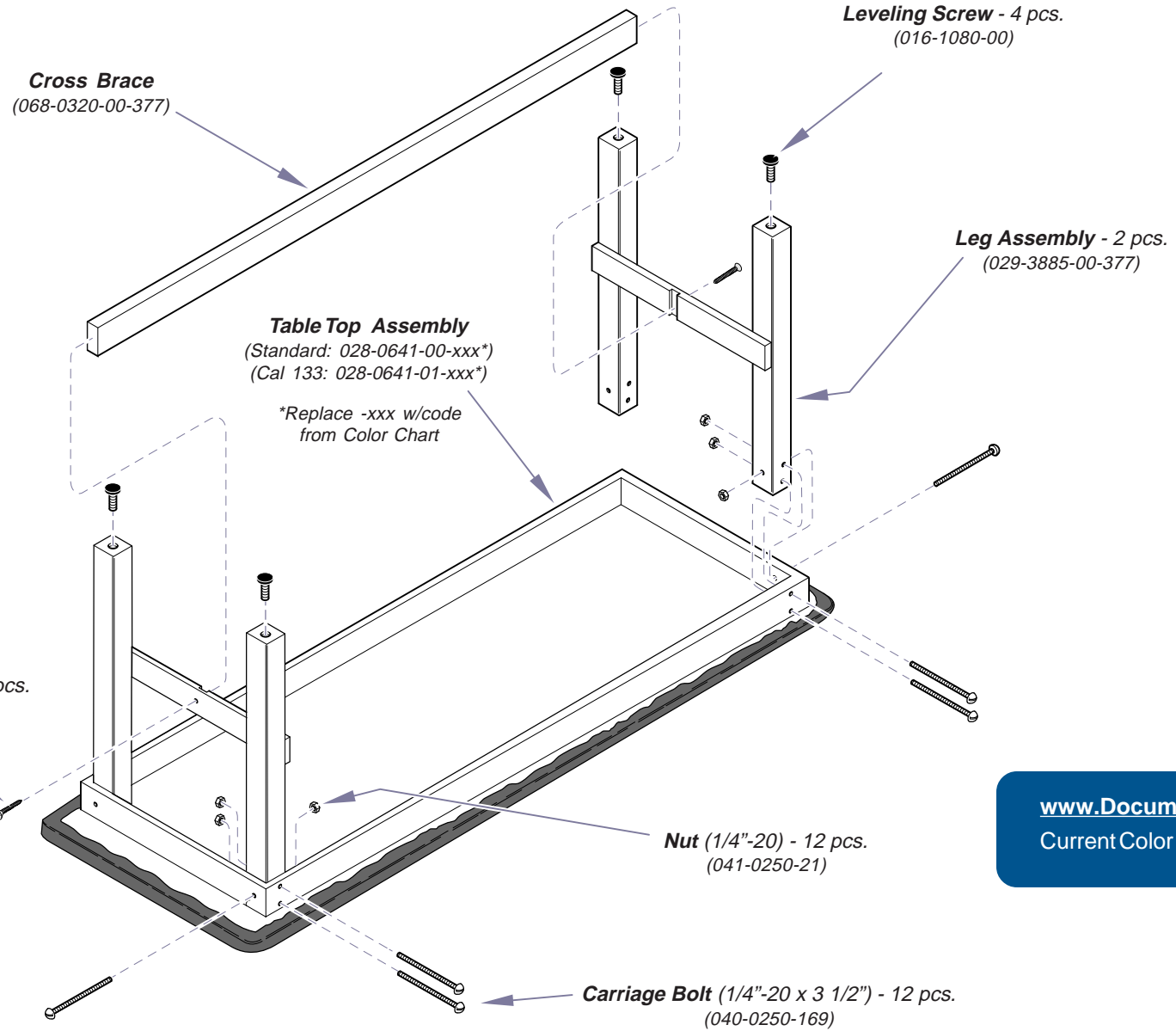
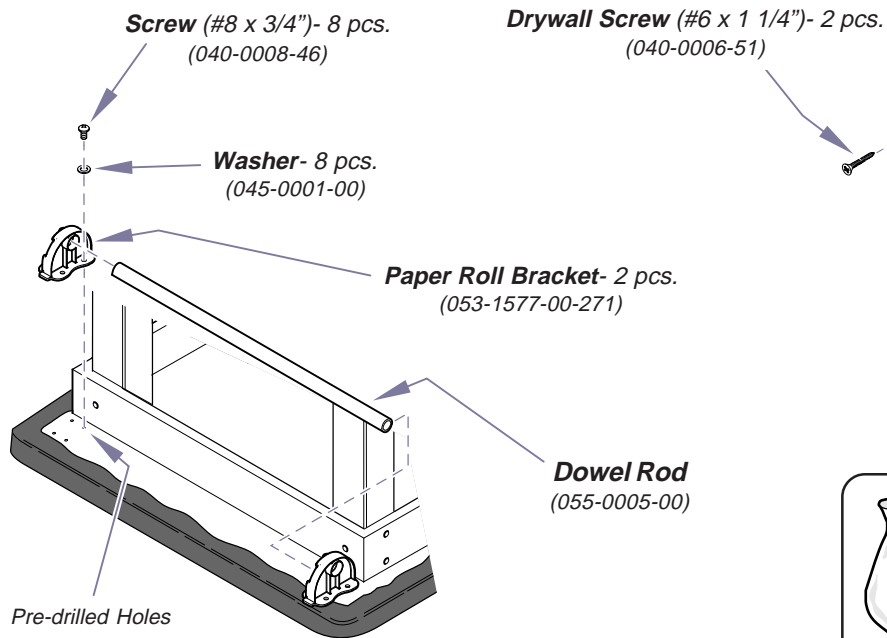
Tighten nuts securing leg assemblies.

## Step 5:

Install four leveling screws.

## Step 6:

Install paper roll brackets & dowel rod as shown.  
\*Note: There are pre-drilled holes at one end.



[www.Documark.com](http://www.Documark.com): File Name  
Current Color Options ..... 004-0546-00

**Parts Bag (029-3913-00) contains the following parts:**

Leveling Feet (4 pcs)	Carriage Bolts (12 pcs)
Drywall Screws (2 pcs)	Nuts (12 pcs)
Screws (8 pcs)	Washers (8 pcs)

MA742300i