

# 418

-001 thru -002

Power Otolaryngology Chair



## Service and Parts Manual

Serial Number Prefixes:  
AK



**NO LONGER IN PRODUCTION**  
Some service parts may not be available for this product!

**418** -001  
thru  
-002

FOR USE BY MIDMARK TRAINED TECHNICIANS ONLY



# TABLE OF CONTENTS

Section/Paragraph	Page	Section/Paragraph	Page
IMPORTANT INSTRUCTIONS		SECTION VI PARTS LIST	
General Safety Instructions .....	ii	6.1 Introduction .....	6-1
Safety Alert Symbols .....	ii	6.2 Description of Columns .....	6-1
Warranty Instructions .....	ii	6.3 Torque Specifications And Important Assembly Notes .....	6-1
SECTION I GENERAL INFORMATION		Pictorial Index .....	6-2
Not Available		Labels and Decals .....	6-3
SECTION II TESTING AND TROUBLESHOOTING		Upholstery Components .....	6-4
Not Available		Chair Frame Assembly .....	6-5
SECTION III SCHEDULED MAINTENANCE		Headrest Assembly .....	6-6
Not Available		Back Assembly .....	6-7.*
SECTION IV MAINTENANCE/SERVICE		Linkage Components .....	6-8.*
INSTRUCTIONS		Seat Actuator Assembly .....	6-9.*
Not Available		Seat Pivot Assembly .....	6-10
SECTION V SCHEMATICS AND DIAGRAMS		Seat Assembly .....	6-11
5.1 Electrical Schematics / Wiring Diagrams ....	5-1	Column Assembly .....	6-12
		Base Assembly .....	6-13.*
		Base And Elevation Column Assembly .....	6-14
		Base Actuator Assembly .....	6-15.*
		Arm Assembly .....	6-16
		Footswitch Assembly .....	6-17
		Exam Light Assembly .....	6-18
		Wiring Arrangement .....	6-19.*
		COMMENTS .....	7-1
		FAX ORDERING FORM .....	7-2

(\*) Indicates that there has been a serial number break for the illustration and that there are additional point page(s) following the original page.

# IMPORTANT INSTRUCTIONS

## General Safety Instructions

**Safety First: The primary concern of Midmark Corporation is that this 418 Power Otolaryngology Chair is maintained with the safety of the patient and staff in mind. To assure that services and repairs are completed safely and correctly, proceed as follows:**

- (1) Read this entire manual before performing any services or repairs on this chair.
- (2) Be sure you understand the instructions contained in this manual before attempting to service or repair this chair.

## Safety Alert Symbols

Throughout this manual are safety alert symbols that call attention to particular procedures. These items are used as follows:



### DANGER

A **DANGER** is used for an imminently hazardous operating procedure, practice, or condition which, if not correctly followed, will result in loss of life or serious personal injury.



### WARNING

A **WARNING** is used for a potentially hazardous operating procedure, practice, or condition which, if not correctly followed, could result in loss of life or serious personal injury.



### CAUTION

A **CAUTION** is used for a potentially hazardous operating procedure, practice, or condition which, if not correctly followed, could result in minor or moderate injury. It may also be used to alert against unsafe practices.



### EQUIPMENT ALERT

An **EQUIPMENT ALERT** is used for an imminently or potentially hazardous operating procedure, practice, or condition which, if not correctly followed, will or could result in serious, moderate, or minor damage to unit.

### NOTE

A **NOTE** is used to amplify an operating procedure, practice or condition.

## Warranty Instructions

Refer to the Midmark "Limited Warranty" printed on the back cover of the Installation and Operation Manual for warranty information. Failure to follow the guidelines listed below will void the warranty and/or render the 418 Power Otolaryngology Chair unsafe for operation.

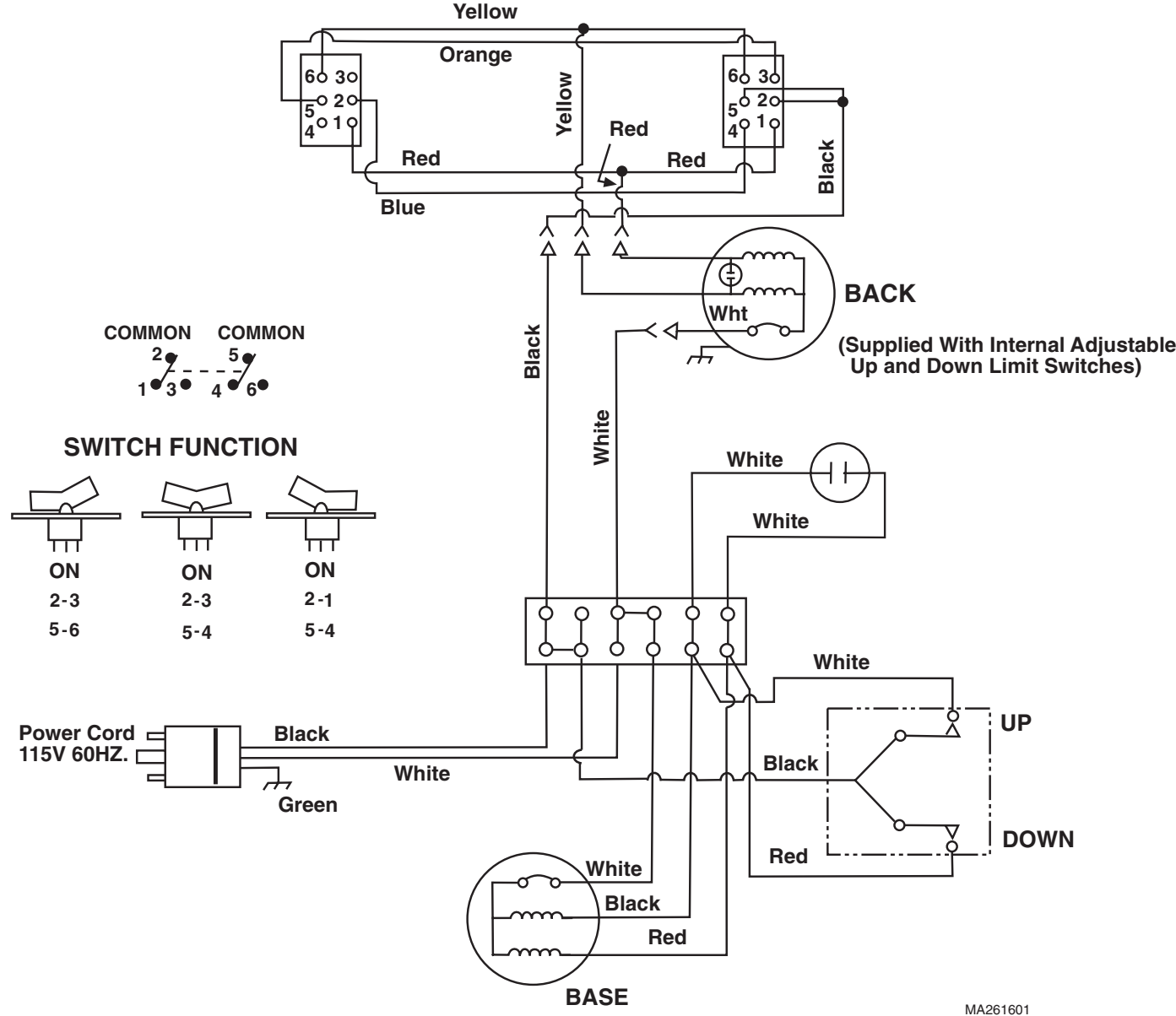
- In the event of a malfunction, do not attempt to operate the chair until necessary repairs have been made.
- Do not attempt to disassemble chair, replace malfunctioning or damaged components, or perform adjustments unless you are one of Midmark's authorized service technicians.
- Do not substitute parts of another manufacturer when replacing inoperative or damaged components. Use only Midmark replacement parts.

**SECTION V  
SCHEMATICS AND DIAGRAMS**

**5.1 Electrical Schematics / Wiring Diagrams**

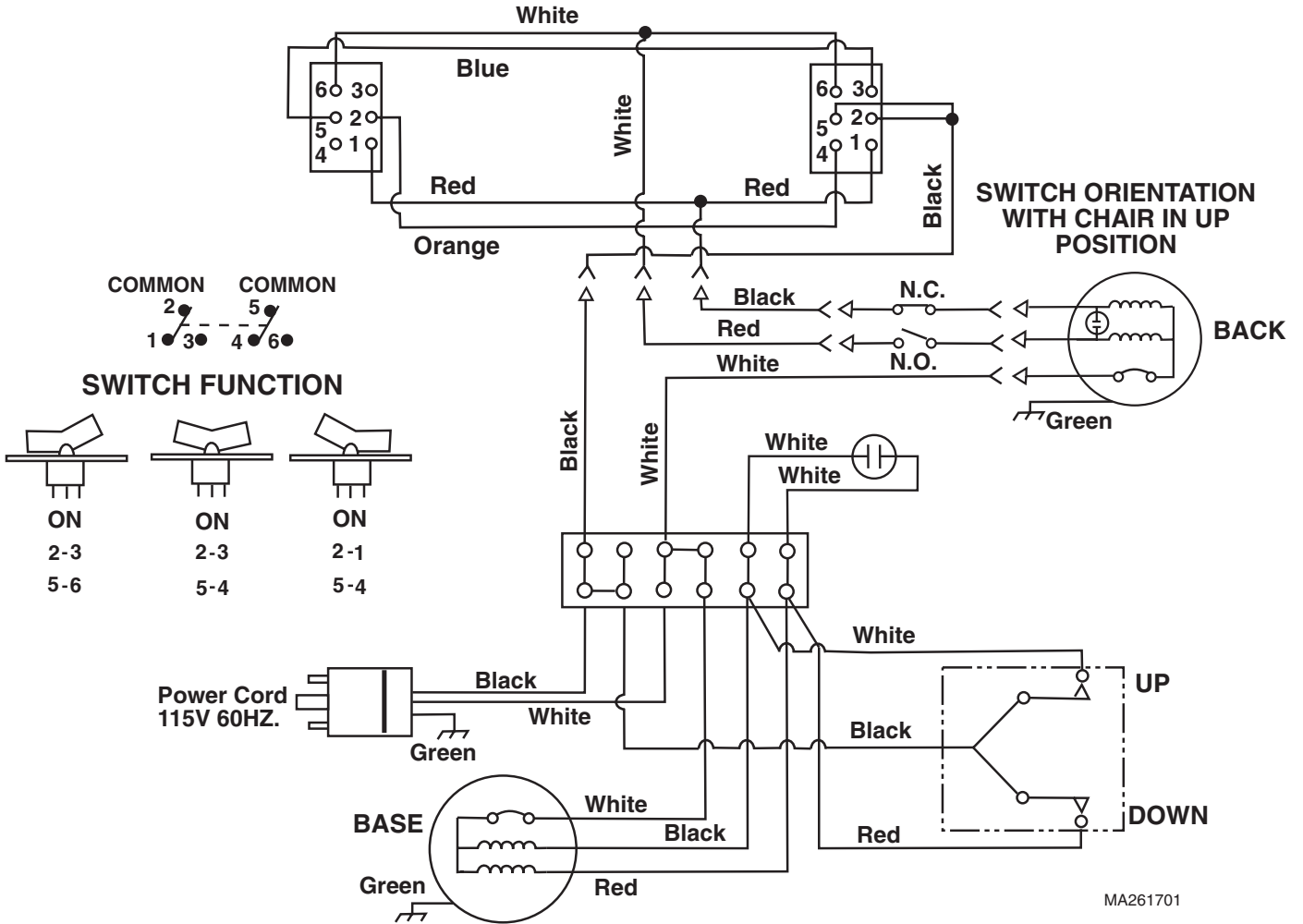
wiring connections between the electrical components in the chair.

Figures 5-1 thru 5-3 illustrate the logic/current flow and



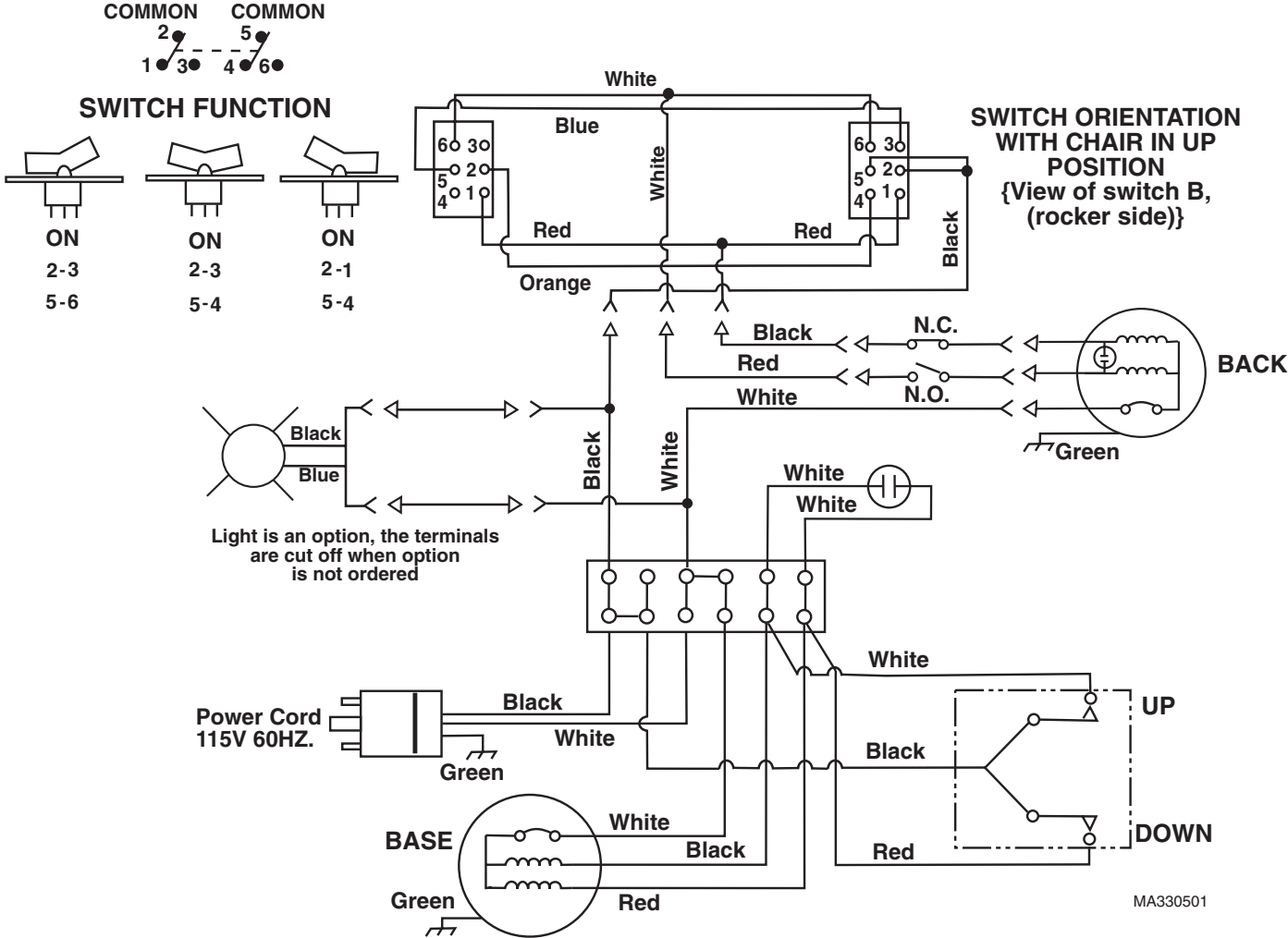
**Figure 5-1. Electrical Schematic / Wiring Diagram (Applies To Units With Serial Numbers AK-1000 Thru AK-1273)**

# SECTION V SCHEMATICS AND DIAGRAMS



**Figure 5-2. Electrical Schematic / Wiring Diagram (Applies To Units With Serial Numbers AK-1274 Thru AK-1877)**

# SECTION V SCHEMATICS AND DIAGRAMS



**Figure 5-3. Electrical Schematic / Wiring Diagram (Applies To Units  
 With Serial Numbers AK-1878 Thru Present)**





**SECTION VI  
PARTS LIST**

**6.1 Introduction**

The illustrated parts list provides information for identifying and ordering the parts necessary to maintain the unit in peak operating condition. Refer to paragraph 1.5 for parts ordering information.

The parts list also illustrates disassembly and assembly relationships of parts.

**6.2 Description of Columns**

The *Item* column of the parts list gives a component its own unique number. The same number is given to the component in the parts illustration. This allows a part number of a component to be found if the technician can visually spot the part on the illustration. The technician simply finds the component in question on the illustration and notes the item number of that component. Then, he finds that item number in the parts list. The row corresponding to the item number gives the technician the part number, a description of the component, and quantity of parts per subassembly. Also, if a part number is known, the location of that component can be determined by looking for the item number of the component on the illustration.

The *Part No.* column lists the MIDMARK part number for that component.

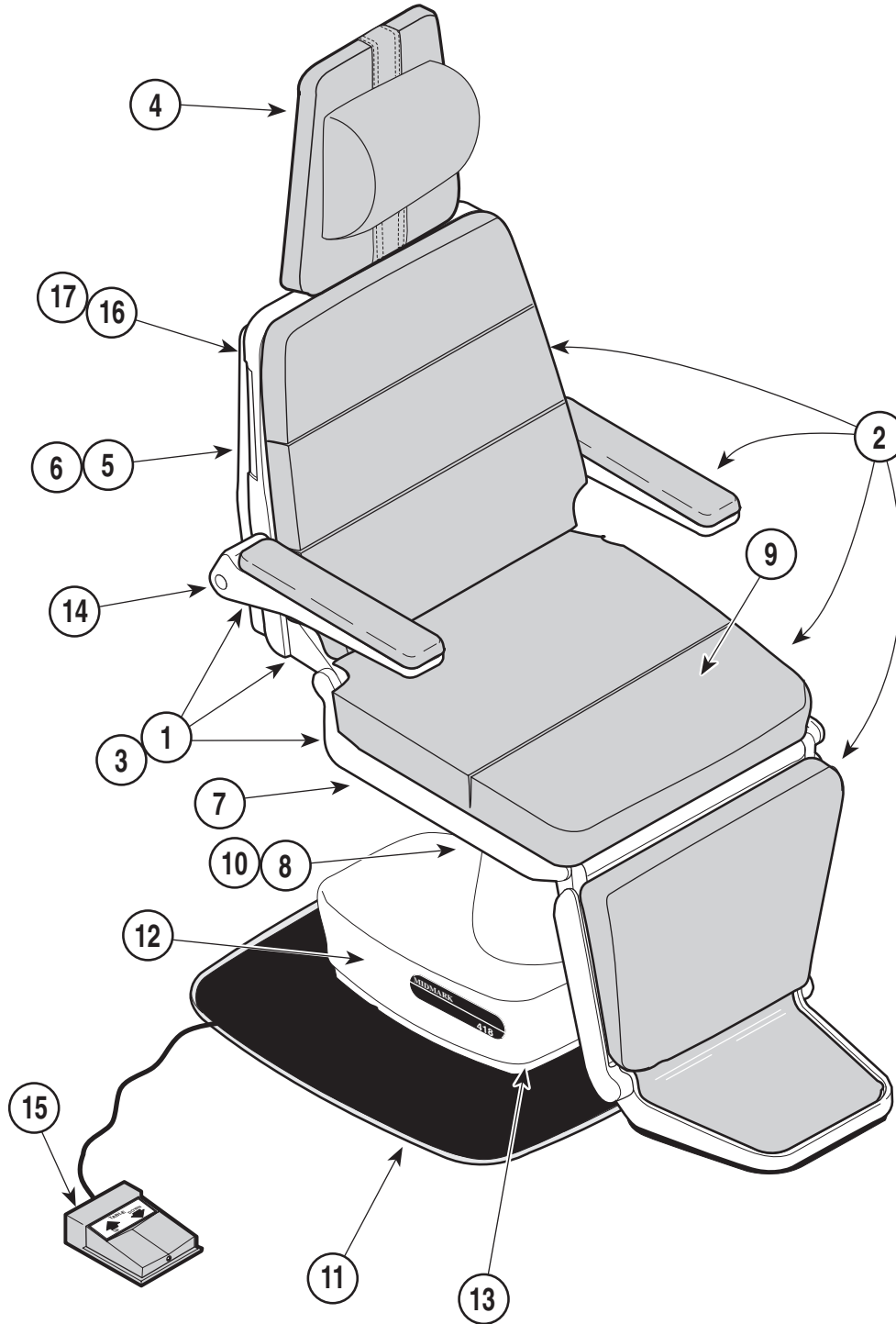
The *Description* column provides a physical description of the component.

The *Qty.* column lists the number of units of a particular component that is required for the subassembly. The letters "AR" denote "as required" when quantities of a particular component cannot be determined, such as: adhesive.

Bullets { • } in the *Part No.* column and the *Description* column show the indenture level of a component. If a component does not have a bullet, it is a main component of that illustration. If a component has a bullet, it is a subcomponent of the next component listed higher in the parts list than itself that does not have a bullet. Likewise, if a component has two bullets, it is a subcomponent of the next component listed higher in the parts list than itself that has only one bullet.

**6.3 Torque Specifications and Important Assembly Notes**

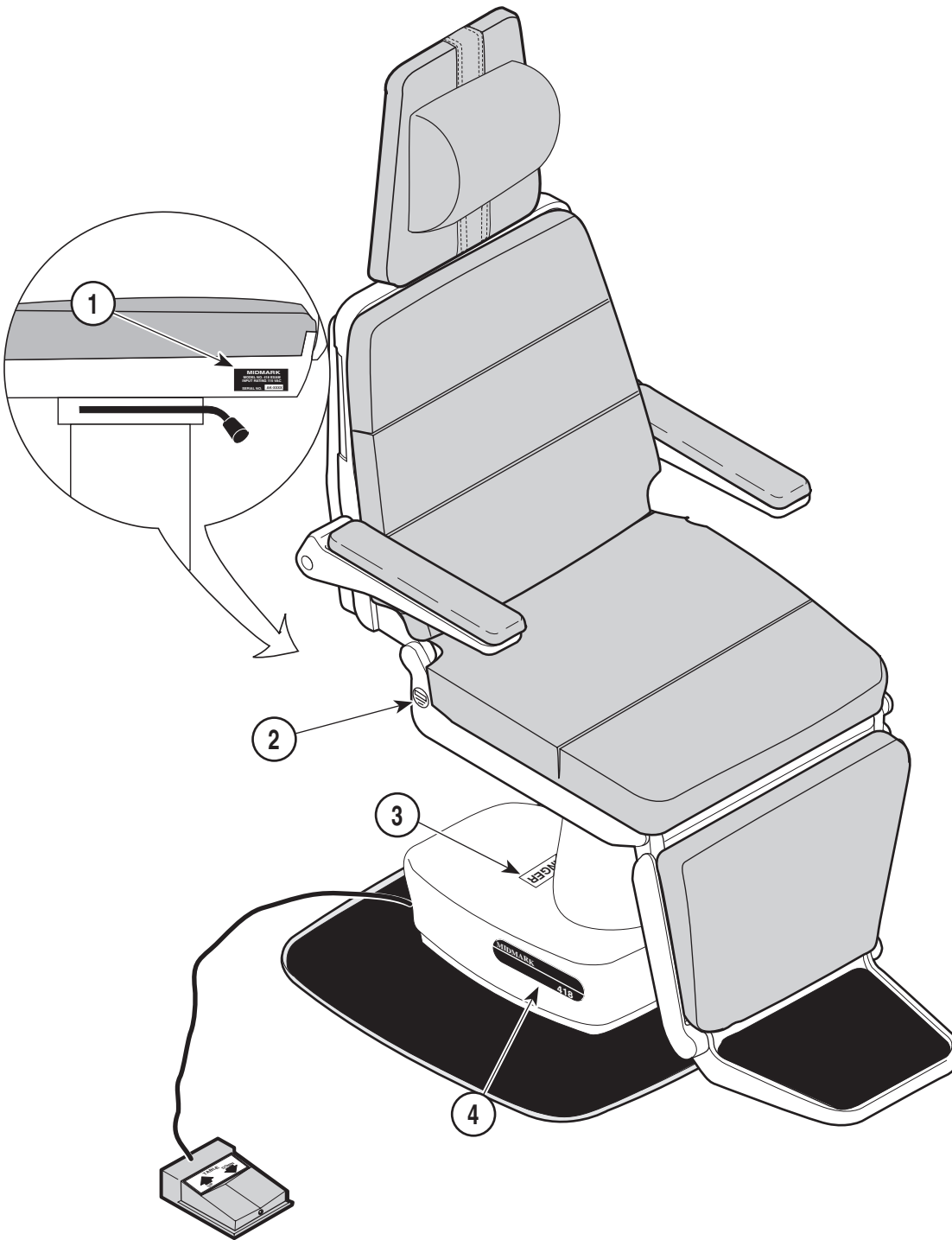
When specific assembly torque specifications, measurements, or procedures have been identified, by our engineering department, as required to assure proper function of the unit, those torque specifications measurements, and procedures will be noted on the parts illustrations. Adherence to these requirements is essential.



MA325900

Item	Part No.	Description	Page	Item	Part No.	Description	Page
1		Labels and Decals .....	6-3	10		Column Assembly .....	6-12
2		Upholstery Components .....	6-4	11		Base Assembly .....	6-13
3		Chair Frame Assembly .....	6-5	12		Base and Elevation Assembly .....	6-14
4		Headrest Assembly .....	6-6	13		Base Actuator .....	6-15
5		Back Assembly .....	6-7	14		Arm Assembly .....	6-16
6		Linkage Components .....	6-8	15		Footswitch Components .....	6-17
7		Seat Actuator .....	6-9	16		Exam Light .....	6-18
8		Seat Pivot Assembly .....	6-10	17		Wiring Arrangement 6-19 .....	
9		Seat Assembly .....	6-11				

Always Specify Model & Serial Number



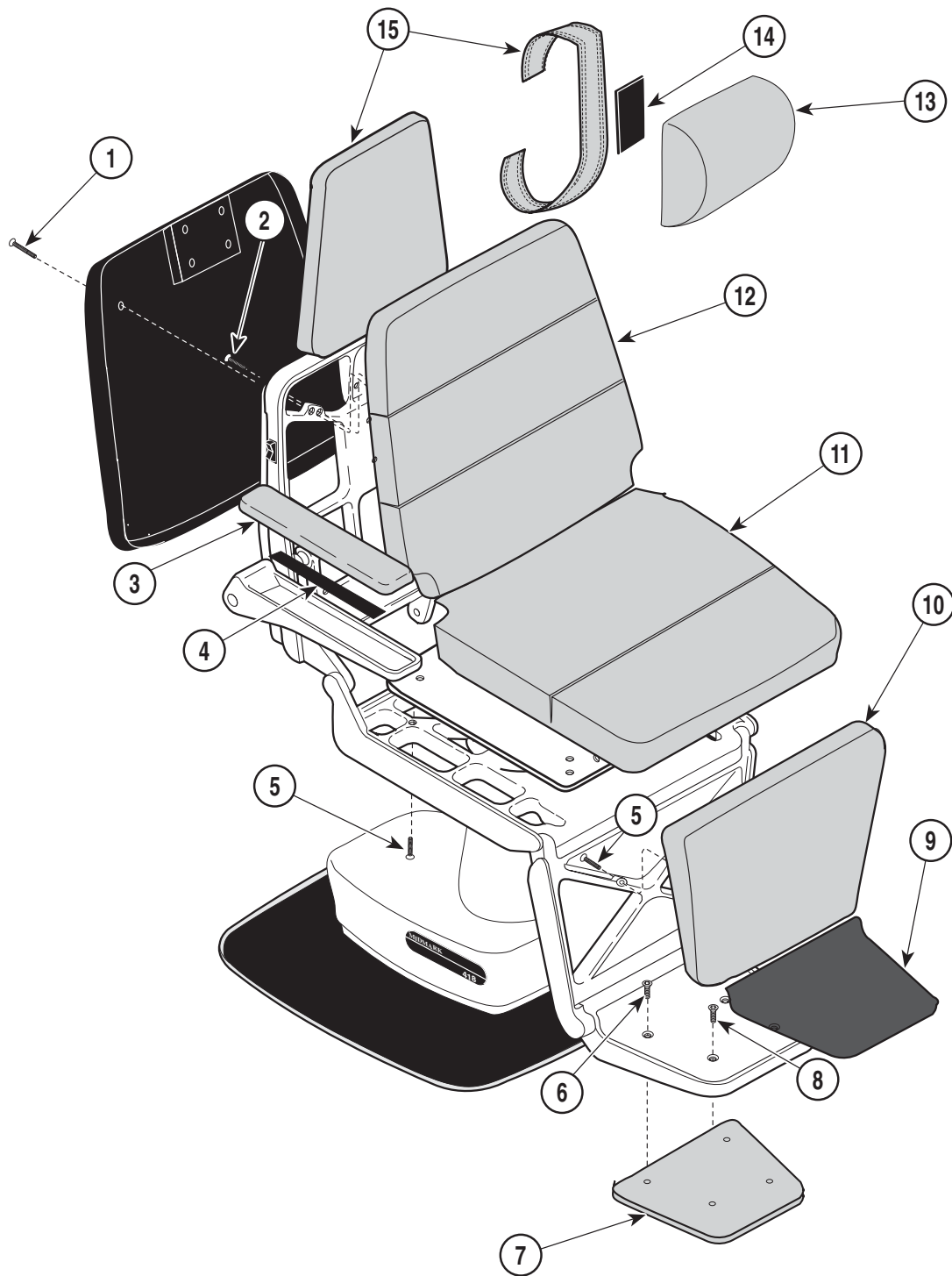
MA346200

Item	Part No.	Description	Page	Item	Part No.	Description	Page
1	°	Serial Tag .....	1	3	061-0293-01	Danger Label .....	1
2	061-0220-00	Electrical Label .....	1	4	061-0146-00	Nameplate .....	2

**Always Specify Model & Serial Number**

# Upholstery Components

## SECTION VI PARTS LIST



MA329200

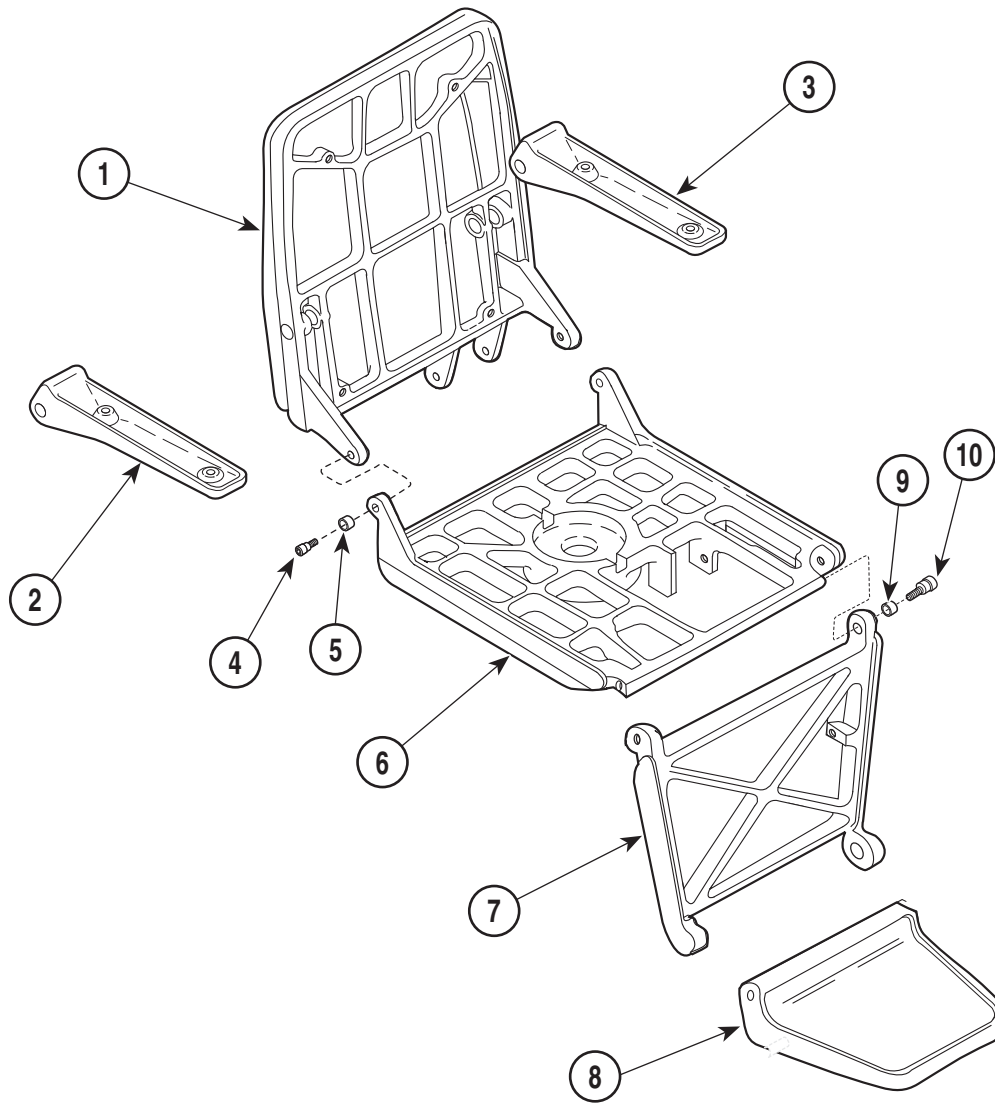
Item	Part No.	Description	Qty.	Item	Part No.	Description	Qty.
	418-001				• 027-0116-XX	Upholstery Set (*Specify Color)	
1	040-0010-57	Screw .....	2	9	* 053-0351-00	• Top Step Tread .....	1
2	040-0010-53	Screw .....	4	10	• 028-0099-00	• Leg Upholstery .....	1
3	028-0102-00	Upholstered Arm .....	2	11	• 028-0098-00	• Seat Upholstery .....	1
4	053-0105-00	Velcro .....	2	12	• 028-0097-00	• Back Upholstery .....	1
5	040-0010-15	Screw .....	8	13	• 028-0101-00	• Pillow Upholstery .....	1
6	040-0010-28	Screw .....	2	14	• 053-0162-00	• Back Cover .....	1
7	028-0243-00	Step Upholstery Assembly .....	1	15	• 028-0100-00	• Headrest (Includes Strap) .....	1
8	040-0010-56	Screw .....	2				

\* Click on the Color Selector link above to see available colors.

**Always Specify Model & Serial Number**

# Chair Frame Assembly

## SECTION VI PARTS LIST



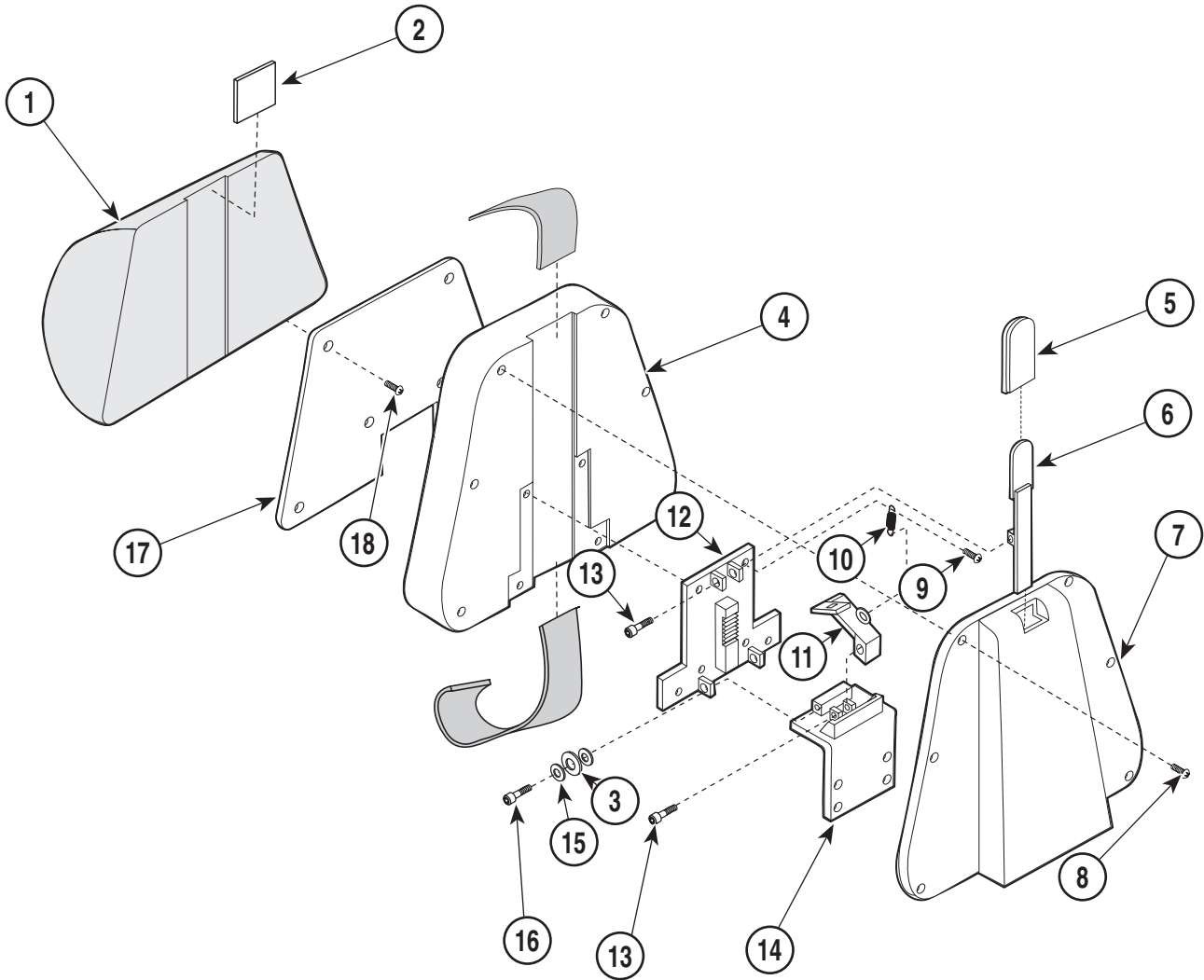
MA329600

Item	Part No.	Description	Qty.	Item	Part No.	Description	Qty.
1	020-0023-00	Back Casting .....	1	6	020-0024-00	Seat Casting .....	1
2	020-0026-00	Arm Casting R.H. ....	1	7	020-0022-00	Leg Casting .....	1
3	<del>020-0026-01</del>	Arm Casting L.H. ....	1	8	020-0025-00	Step Casting .....	1
4	042-0014-00	Shoulder Bolt .....	2	9	016-0076-00	Bushing .....	2
5		Bushing (Refer to "Seat Assembly" Else-where).....	Ref.	10	042-0014-15	Shoulder Bolt .....	2

Always Specify Model & Serial Number

# Headrest Assembly

## SECTION VI PARTS LIST



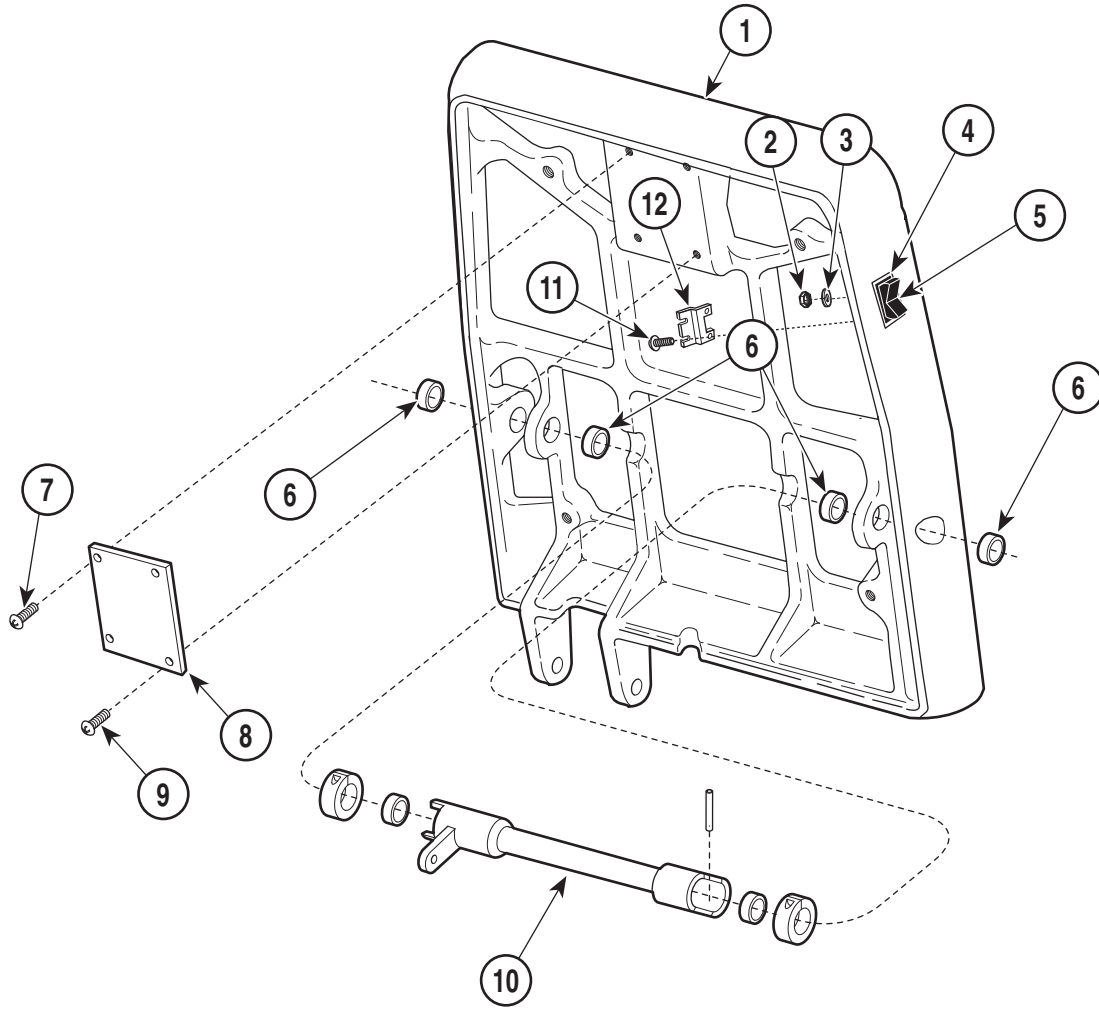
MA328900

Item	Part No.	Description	Qty.	Item	Part No.	Description	Qty.
1	029-0440-00	Headrest Assembly		9	040-0010-12	Screw .....	6
		Headrest Upholstery (Refer to "Upholstery Components" Elsewhere) .....	Ref	10	025-0028-00	Spring .....	1
2	053-0131-00	Velcro Hook 2" x 2" .....	1	11	030-0353-00	Latch Weldment .....	1
3	045-0001-13	Spring Washer .....	2	12	030-0354-00	Plate Weldment .....	1
4	028-0100-00	Headrest .....	a	13	042-0014-09	Shoulder Screw .....	2
5	056-0255-00	Sleeve .....	1	14	030-0355-00	Support Weldment .....	1
6	030-0352-00	Handle Weldment .....	1	15	045-0001-15	Flat Washer .....	4
7	053-0168-00	Headrest Cover .....	1	16	042-0014-10	Shoulder Screw .....	2
8	040-0006-20	Screw .....	6	17	053-0161-00	Pillow Cover .....	1
				18	040-0006-01	Screw .....	6

Always Specify Model & Serial Number

# Back Assembly

# SECTION VI PARTS LIST



MA329400

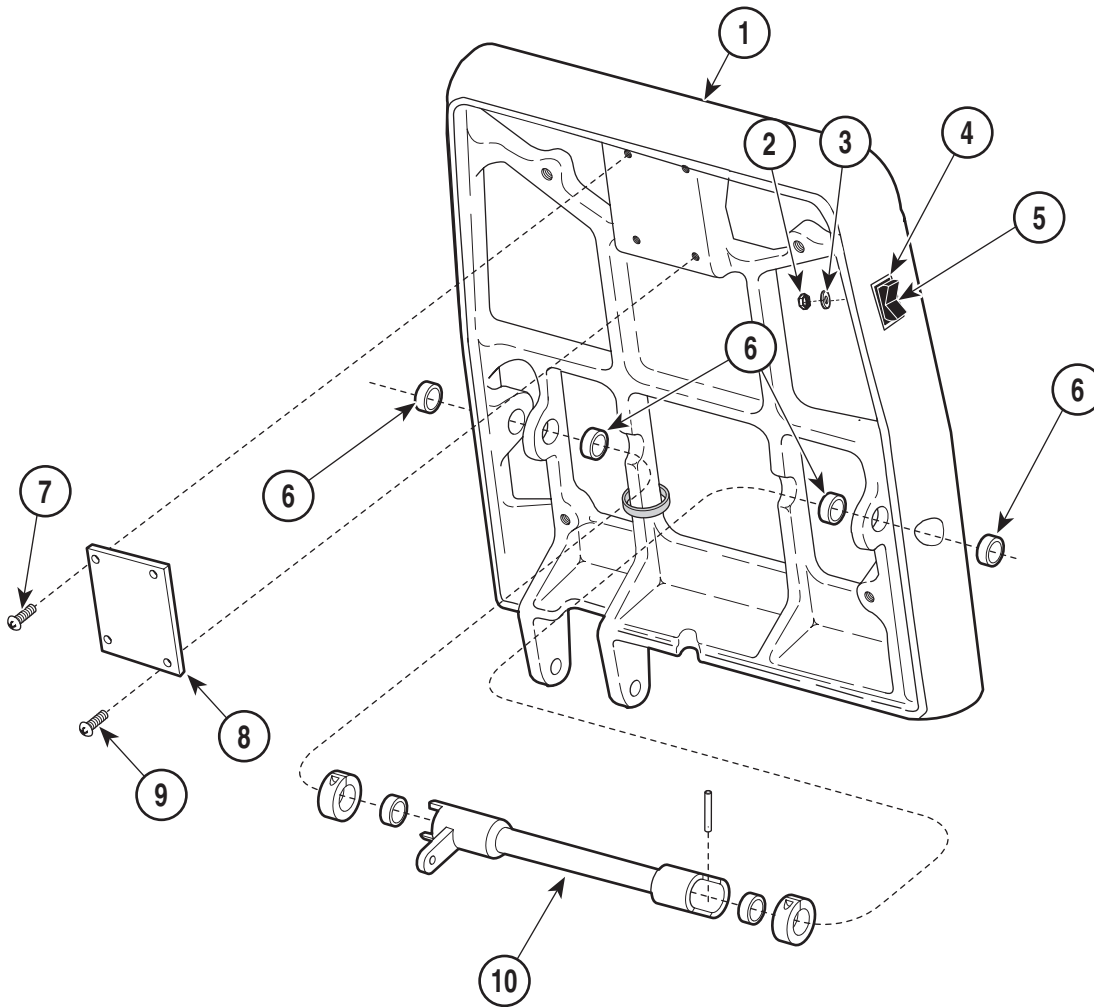
**Used on 418 Units with Serial Numbers:  
AK1000 thru AK1544    V1000 thru V1473**

Item	Part No.	Description	Qty.	Item	Part No.	Description	Qty.
1	029-0474-00	Back Assembly Back Casting (Refer to "Chair Framing ... Assembly" Elsewhere) .....	Ref	7	040-0250-50	Screw .....	2
2	041-0010-01	Nut .....	4	8	050-1025-00	Headrest Plate .....	1
3	045-0001-04	Washer .....	4	9	040-0250-49	Screw .....	2
4	030-0347-00	Bezel Weldment .....	2	10		Linkage (Refer to "Linkage Components" Elsewhere) .....	Ref
5	<del>015-0409-00</del>	Rocker Switch .....	2	11	040-0010-00	Screw .....	4
6	016-0076-03	DU Bushing .....	4	12	050-1025-00	Switch Bracket .....	2

**Always Specify Model & Serial Number**

# Back Assembly

# SECTION VI PARTS LIST



MA329400

**Used on 418 Units with Serial Numbers:  
AK 1545 Thru Present V 1474 Thru Present**

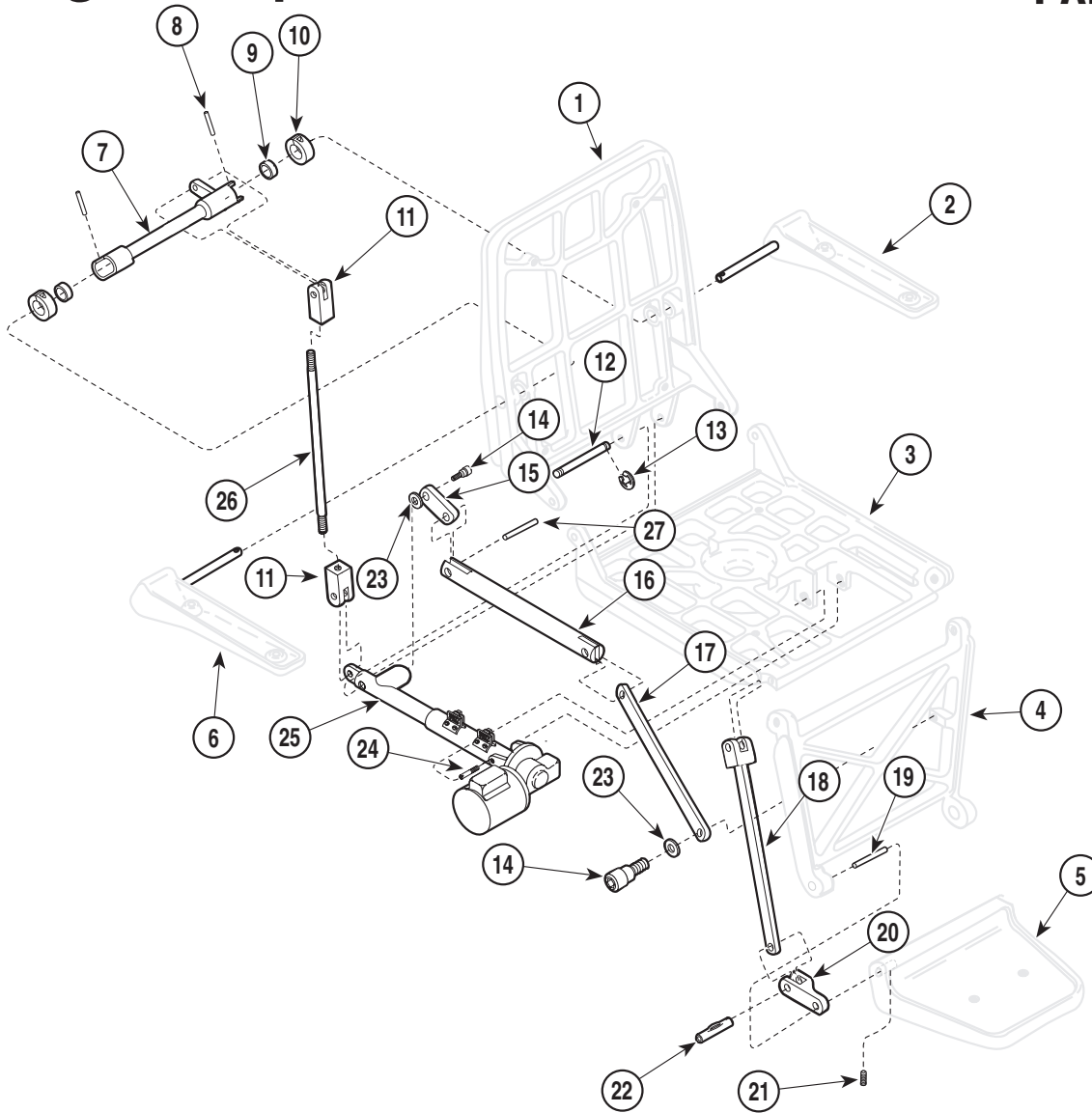
Item	Part No.	Description	Qty.	Item	Part No.	Description	Qty.
1	029-0436-00	Back Assembly Back Casting (Refer to " Casting" Else- where) .....	Ref	5	015-0518-00	Rocker Switch .....	2
2	041-0010-01	Nut .....	4	6	016-0076-03	DU Bushing .....	4
3	045-0001-04	Washer .....	4	7	040-0250-50	Screw .....	2
4	030-0483-00	Bezel Weldment .....	2	8	050-1025-00	Headrest Plate .....	1
				9	040-0250-49	Screw .....	2
				10		Linkage (Refer to "Linkage Components")	

**Always Specify Model & Serial Number**



# Linkage Components

## SECTION VI PARTS LIST



MA329500

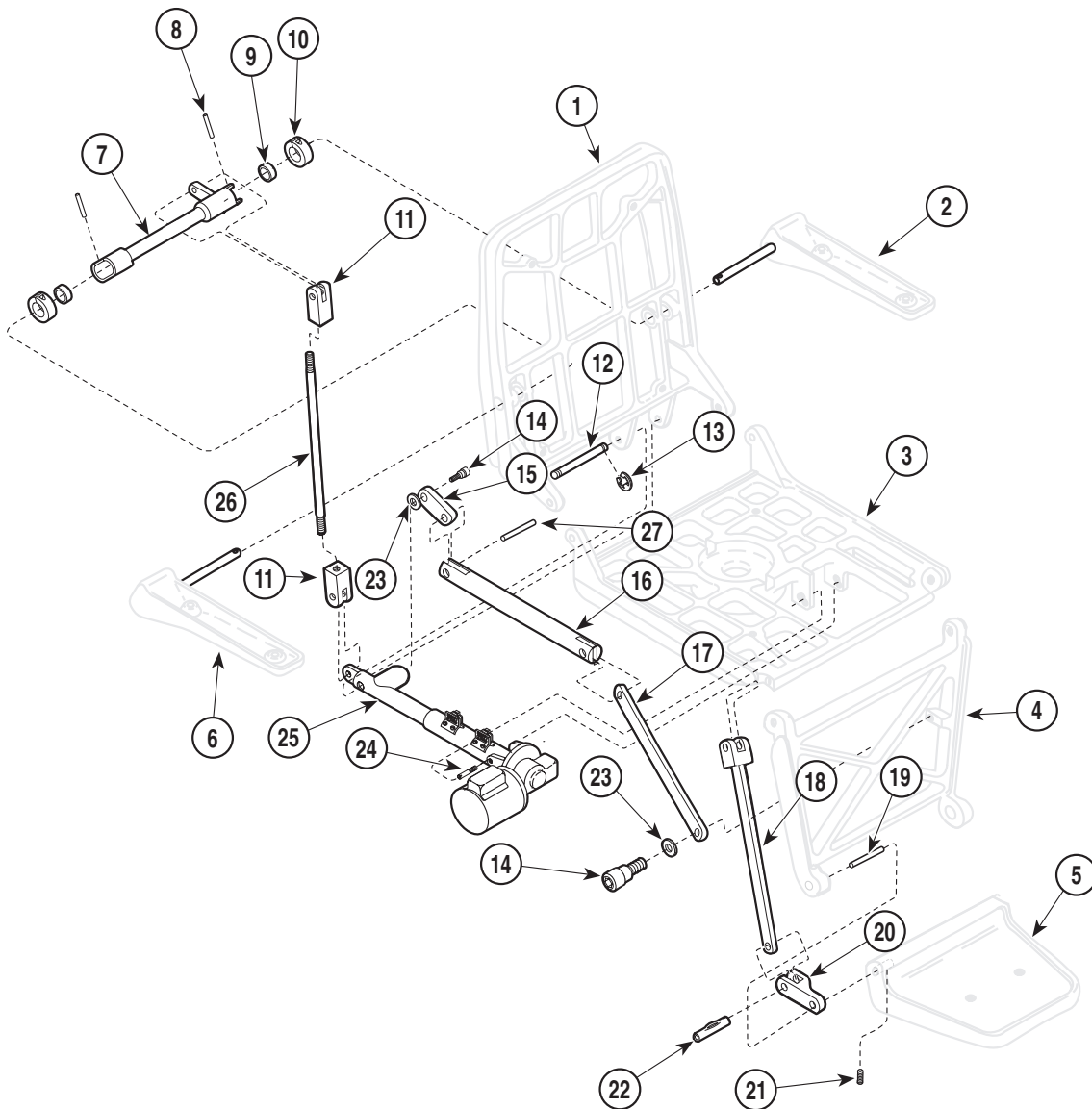
**Used on 418 Units with Serial Numbers:  
AK 1000 Thru AK 1544 V 1000 Thru V 1473**

Item	Part No.	Description	Qty.	Item	Part No.	Description	Qty.
1		Back Assembly (Refer to "Back Assembly Components" Elsewhere) .....	Ref.	12	057-0133-01	Pin .....	1
2		Left Arm Assembly (Refer to "Arm Assembly" Elsewhere) .....	Ref.	13	042-0007-02	E-Ring .....	2
3		Seat Assembly (Refer to "Seat Assembly Components" Elsewhere) .....	Ref.	14	042-0014-06	Shoulder Bolt .....	2
4		Leg Casting (Refer to "Chair Framing Assembly" Elsewhere) .....	Ref.	15	051-0315-00	Back-Push Rod .....	1
5		Step Assembly (Refer to "Upholstery Components" Elsewhere) .....	Ref.	16	057-0134-01	Push Rod .....	1
6		Right Arm Assembly (Refer to "Arm Assembly" Elsewhere) .....	Ref.	17	051-0316-00	Leg-Push Rod .....	1
7	030-0350-00	Arm Stop Weldment R.H. ....	1	18	030-0344-00	Link Weldment .....	1
	030-0349-00	Arm Stop Weldment L.H. ....	1	19	057-0142-00	Step Pin .....	2
8	042-0043-00	Groove Pin .....	2	20	051-0321-00	Yoke .....	1
9	016-0076-03	Bushing .....	2	21	040-0250-04	Set Screw .....	2
10	016-0200-00	Split Collar .....	2	22	042-0043-02	Groove Pin .....	4
11	051-0318-01	Yoke .....	2	23	045-0001-40	Washer .....	2
				24	057-0139-00	Headless Bolt .....	2
				25		Seat Actuator (Refer to "Seat Actuator Components" Elsewhere) .....	Ref.
				26	057-0137-01	Threaded Adjuster .....	1
				27	042-0043-03	Groove Pin .....	2

**Always Specify Model & Serial Number**

# Linkage Components

## SECTION VI PARTS LIST



MA329500

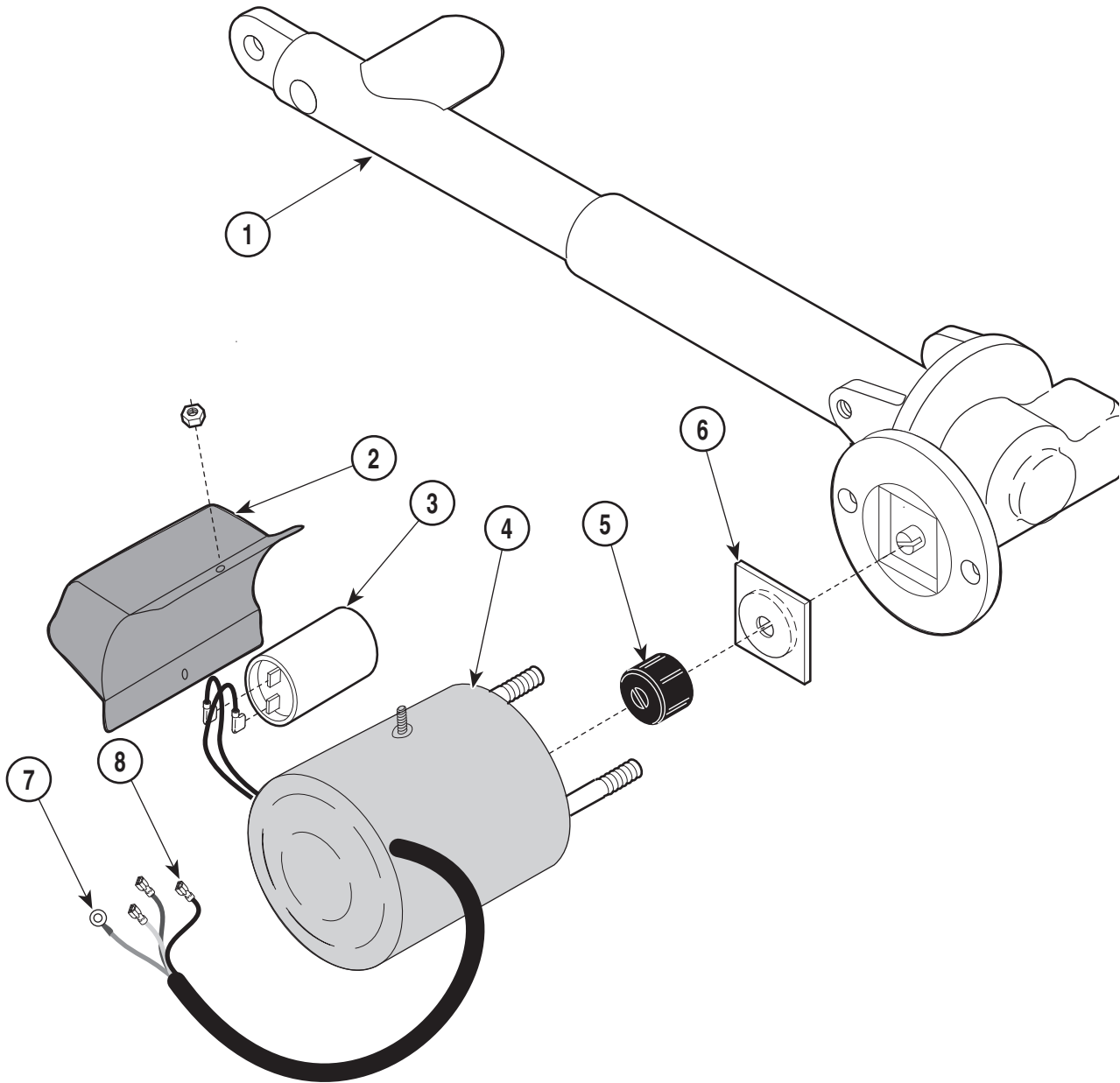
**Used on 418 Units with Serial Numbers:  
AK 1545 Thru Present V 1474 Thru Present**

Item	Part No.	Description	Qty.	Item	Part No.	Description	Qty.
1		Back Assembly (Refer to "Back Assembly Components" Elsewhere) .....	Ref.	12	057-0133-01	Pin .....	1
2		Left Arm Assembly (Refer to "Arm Assembly" Elsewhere) .....	Ref.	13	042-0007-02	E-Ring .....	2
3		Seat Assembly (Refer to "Seat Assembly Components" Elsewhere) .....	Ref.	14	042-0014-06	Shoulder Bolt .....	2
4		Leg Casting (Refer to "Chair Frame 'Assembly" Elsewhere) .....	Ref.	15	051-0315-00	Back-Push Rod .....	1
5		Step Assembly (Refer to "Upholstery Components" Elsewhere) .....	Ref.	16	057-0134-01	Push Rod .....	1
6		Right Arm Assembly (Refer to "Arm Assembly" Elsewhere) .....	Ref.	17	051-0316-00	Leg-Push Rod .....	1
7	030-0482-00	Arm Stop Weldment .....	1	18	030-0344-00	Link Weldment .....	1
8	042-0043-00	Groove Pin .....	2	19	057-0142-00	Step Pin .....	2
9	016-0076-03	Bushing .....	2	20	051-0321-00	Yoke .....	1
10	016-0200-00	Split Collar .....	2	21	040-0250-04	Set Screw .....	2
11	051-0318-01	Yoke .....	2	22	042-0043-02	Groove Pin .....	4
				23	045-0001-40	Washer .....	2
				24	057-0139-00	Headless Bolt .....	2
				25		Seat Actuator (Refer to "Seat Actuator Components" Elsewhere) .....	Ref.
				26	057-0137-01	Threaded Adjuster .....	1
				27	042-0043-03	Groove Pin .....	2

**Always Specify Model & Serial Number**

# Seat Actuator Assembly

# SECTION VI PARTS LIST



MA329701

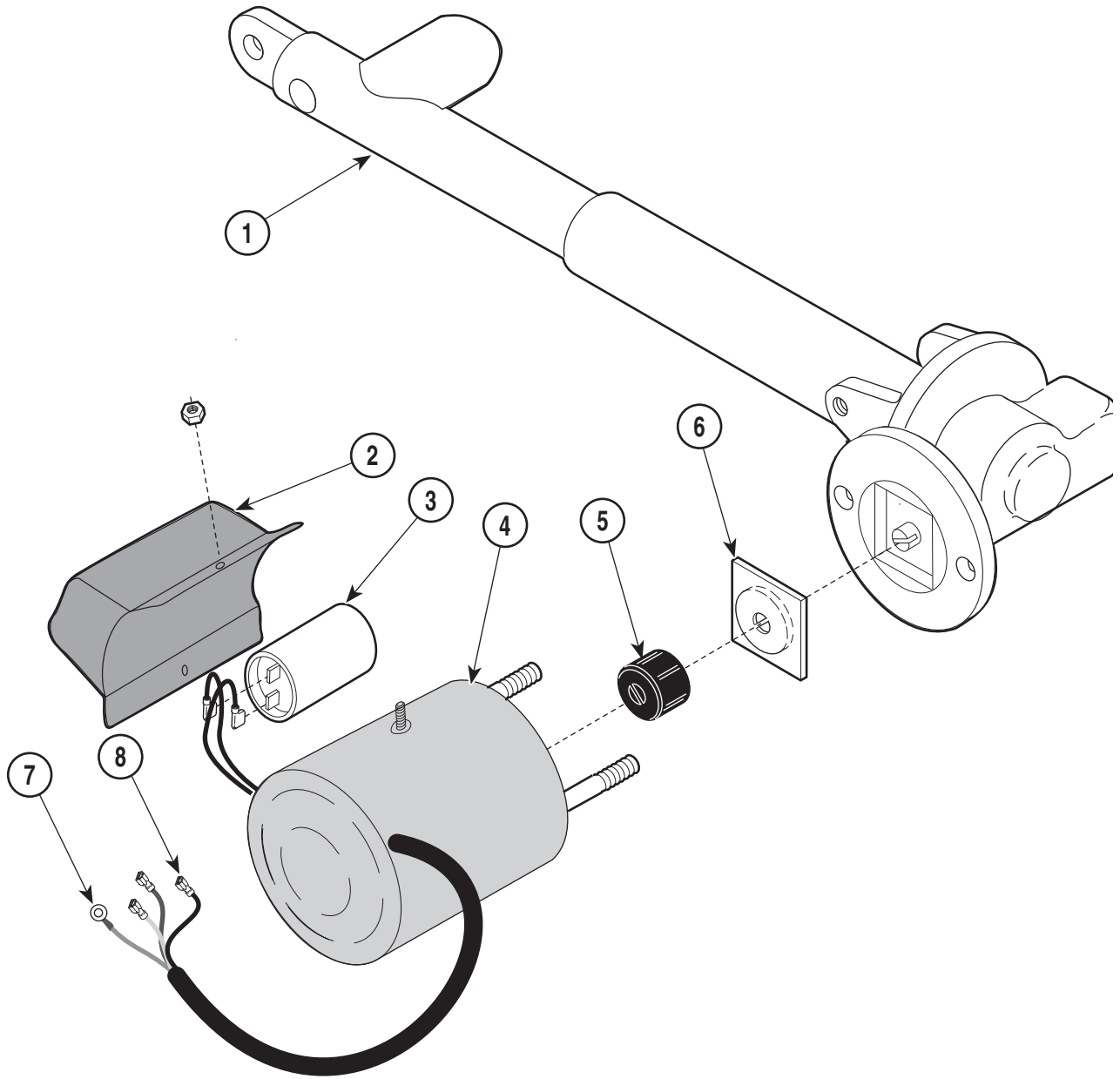
**Used on 418 Units with Serial Numbers: AK1000 thru AK1220**

Item	Part No.	Description	Qty.	Item	Part No.	Description	Qty.
	029-0430-00	Seat Actuator Assembly .....	1		••015-0215-12	•• Heat Shrink (clear, not shown) ....	AR
1	016-0193-00	Seat Actuator .....	1	5	•016-0662-00	Motor Coupler .....	1
2	•	• Capacitor Cover (115 V only) .....	1	6	•016-0237-00	• Actuator Brake .....	1
3	•015-0437-02	• Capacitor (115 V Only {Less Cap}) .....	1	7	015-0310-01	Terminal .....	1
	015-0438-00	• Capacitor Cap .....	1	8	015-0311-00	Terminal .....	3
4	•002-0574-00	• Motor .....	1				

Always Specify Model & Serial Number

# Seat Actuator Assembly

## SECTION VI PARTS LIST



MA329701

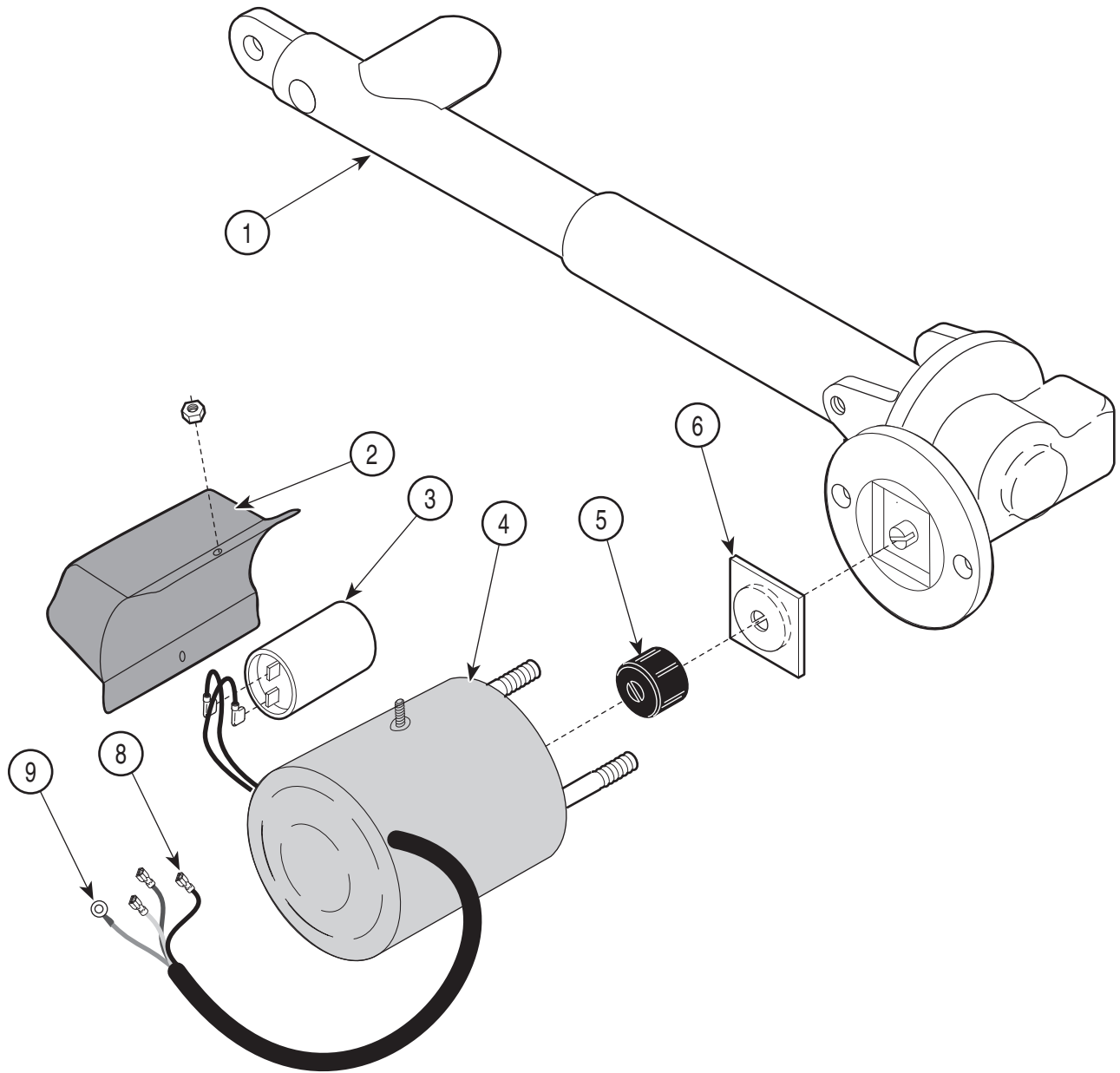
### Used on 418 Units with Serial Numbers: AK1221 thru AK1267

Item	Part No.	Description	Qty.	Item	Part No.	Description	Qty.
	029-0590-00	Seat Actuator Assembly .....			••015-0215-12	••Heat Shrink (clear, not shown) .....	AR
1	016-0280-00	Seat Actuator .....	1	5	•016-0662-00	Motor Coupler .....	1
2	•	• Capacitor Cover (115 V only) .....	1	6	•016-0237-00	•Actuator Brake .....	1
3	•015-0437-02	• Capacitor (115 V Only {Less Cap}) .....	1	7	015-0310-01	Terminal .....	1
	015-0438-00	• Capacitor Cap .....	1	8	015-0311-00	Terminal .....	3
4	•002-0574-00	•Motor .....	1				

Always Specify Model & Serial Number

# Seat Actuator Assembly

## SECTION VI PARTS LIST



MA329701

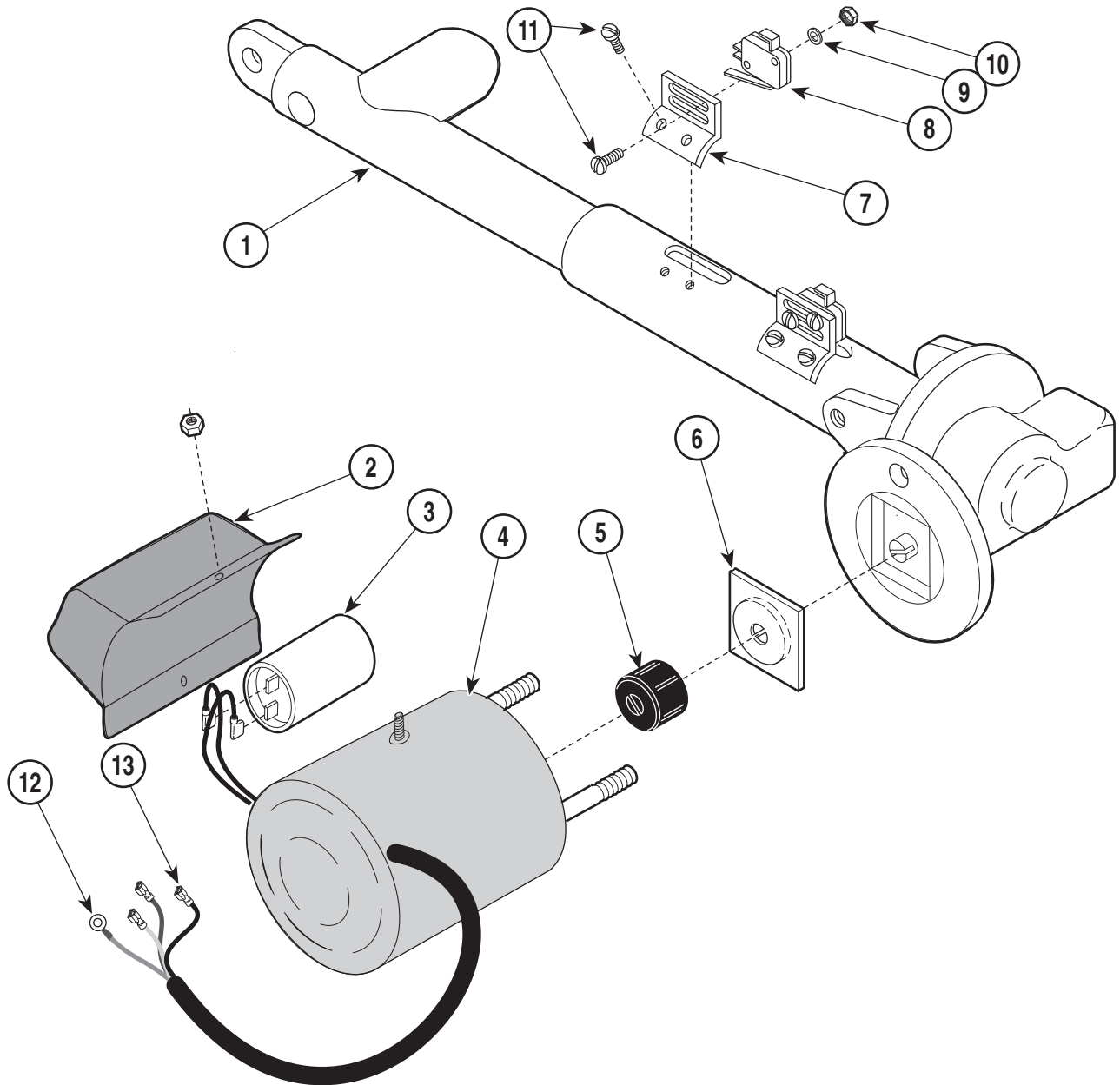
### Used on 418 Units with Serial Numbers: AK1268 thru AK1273

Item	Part No.	Description	Qty.	Item	Part No.	Description	Qty.
	029-0590-00	Seat Actuator Assembly .....			••015-0466-12	•• Heat Shrink (clear, not shown) ....	AR
1	016-0280-00	Seat Actuator .....	1	5	•016-0662-00	Motor Coupler .....	1
2	•	• Capacitor Cover (115 V only) .....	1	6	•016-0237-00	• Actuator Brake .....	1
3	•015-0437-01	• Capacitor (115 V Only {Less Cap}) .....	1	7	•	• Bracket (Not Shown)	
	015-0438-00	• Capacitor Cap .....	1	8	015-0310-01	Terminal .....	1
4	•002-0574-00	• Motor .....	1	9	015-0311-00	Terminal .....	3

Always Specify Model & Serial Number

# Seat Actuator Assembly

## SECTION VI PARTS LIST



MA329700

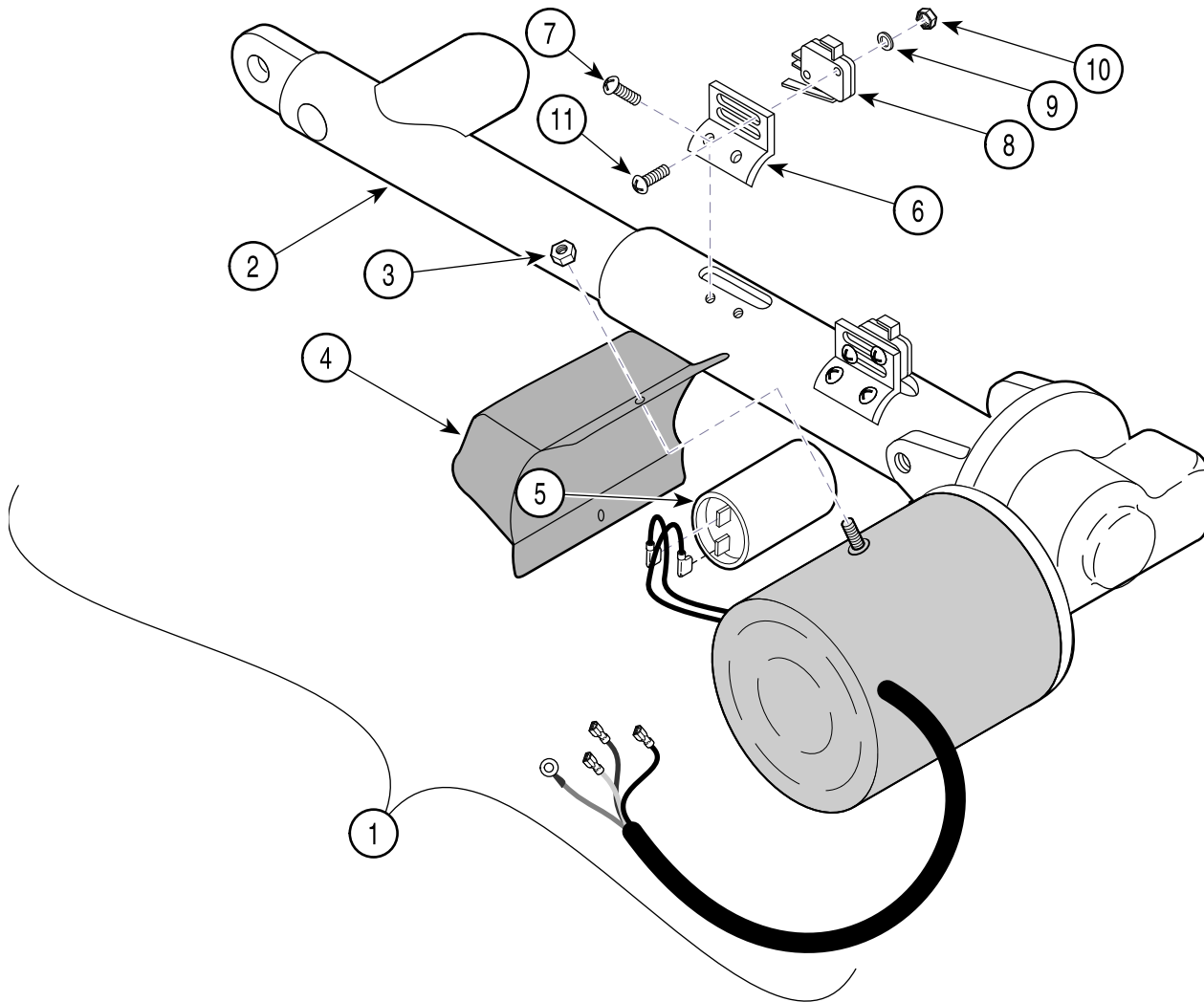
### Old Style Actuator Parts Used on 418 Units with Serial Numbers: AK1274 thru Present

Item	Part No.	Description	Qty.	Item	Part No.	Description	Qty.
1	029-0596-00	Seat Actuator Assembly .....	1	6	• 016-0237-00	• Actuator Brake .....	1
2	•	• Capacitor Cover (115 V only) .....	1	7	•	• Bracket .....	1
3	• 015-0437-01	• Capacitor (115 V Only {Less Cap}) .....	1	8	• 015-0430-00	• Switch .....	2
	015-0438-00	• Capacitor Cap .....	1	9	• 045-0001-38	• Lock Washer .....	4
4	• 002-0574-00	• Motor .....	1	10	• 041-0004-09	• Nut .....	4
	•• 015-0466-12	•• Heat Shrink (clear, not shown) ...	AR	11	• 040-0004-09	• Screw .....	4
5	• 016-0662-00	Motor Coupler .....	1	12	015-0310-01	Terminal .....	1
				13	015-0311-00	Terminal .....	3

Always Specify Model & Serial Number

# Seat Actuator Assembly

## SECTION VI PARTS LIST



MA565000

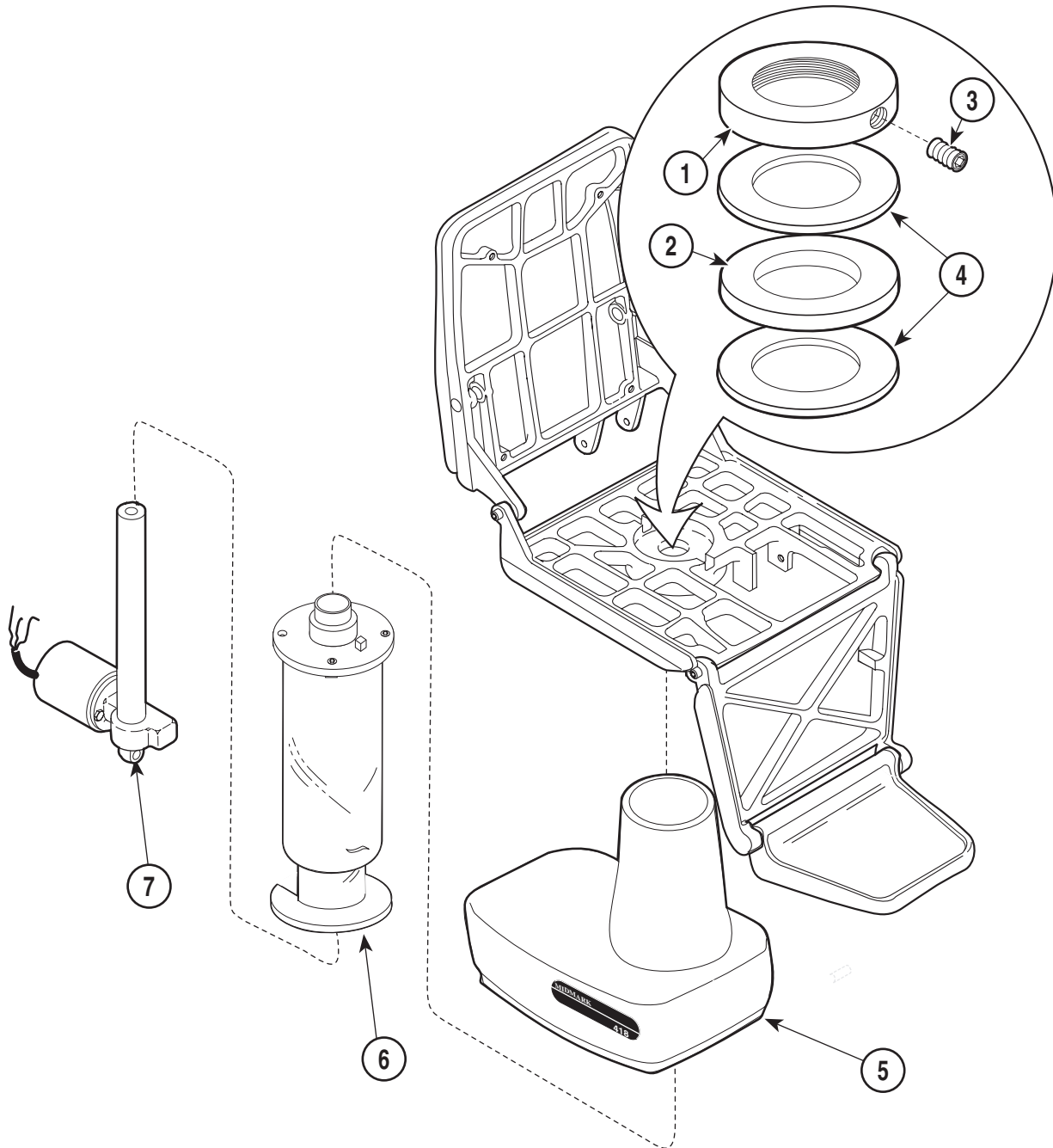
### New Style Actuator Parts Used on 418 Units with Serial Numbers: AK1274 thru Present and V2006 thru Present

Item	Part No.	Description	Qty.	Item	Part No.	Description	Qty.
1	002-0596-00	Seat Actuator Assembly (includes items 2 thru 7)	1	6	015-0438-00	• Capacitor Cap	1
2	• 029-2182-00	• Seat Actuator - Domestic	1	7	• 050-3949-00	• Bracket	2
	• 029-2182-01	• Seat Actuator - Export	1		• 040-0004-09	• Screw	4
3	•	• Nut	2	8	015-0430-00	Switch	2
4	•	• Capacitor Cover (115 V only)	1	9	045-0001-38	Lock Washer	4
5	• 015-0437-01	• Capacitor (115 V Only {Less Cap})	1	10	041-0004-09	Nut 4	4
				11	040-0004-09	Screw	4

Always Specify Model & Serial Number

# Seat Pivot Assembly

## SECTION VI PARTS LIST



MA329800

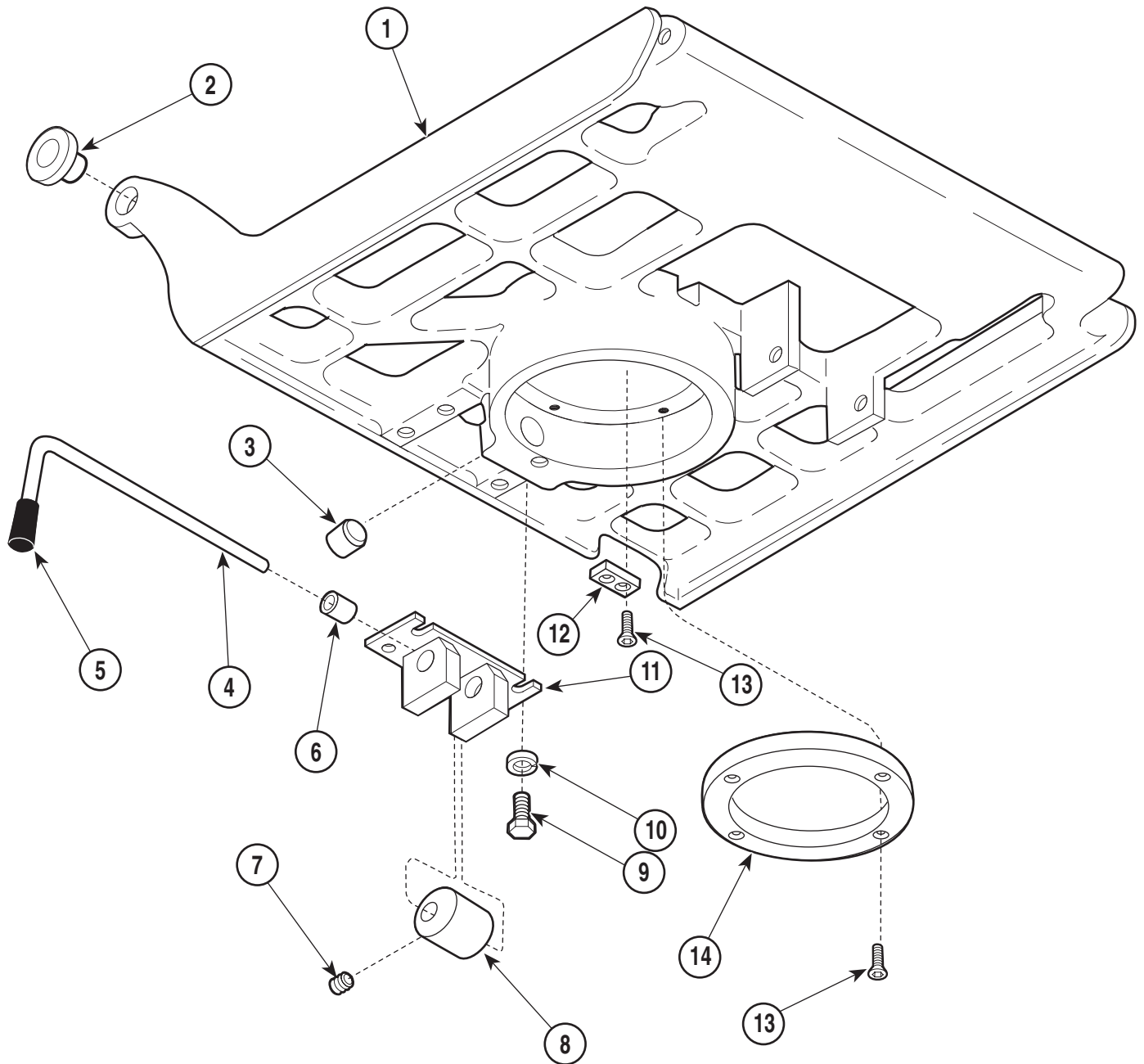
Item	Part No.	Description	Qty.	Item	Part No.	Description	Qty.
1	057-0140-00	Seat Nut .....	1	6		Elevation Tube (Refer to "Column Assembly" Elsewhere) .....	1
2	016-0196-00	Thrust Bearing .....	1	7		Base Actuator (Refer to "Base Actuator Assembly" Elsewhere) .....	1
3	040-0250-05	Set Screw .....	1				
4	016-0195-00	Thrust Washer .....	2				
5	053-0163-00	Motor Cover .....	1				

Always Specify Model & Serial Number



# Seat Assembly

## SECTION VI PARTS LIST



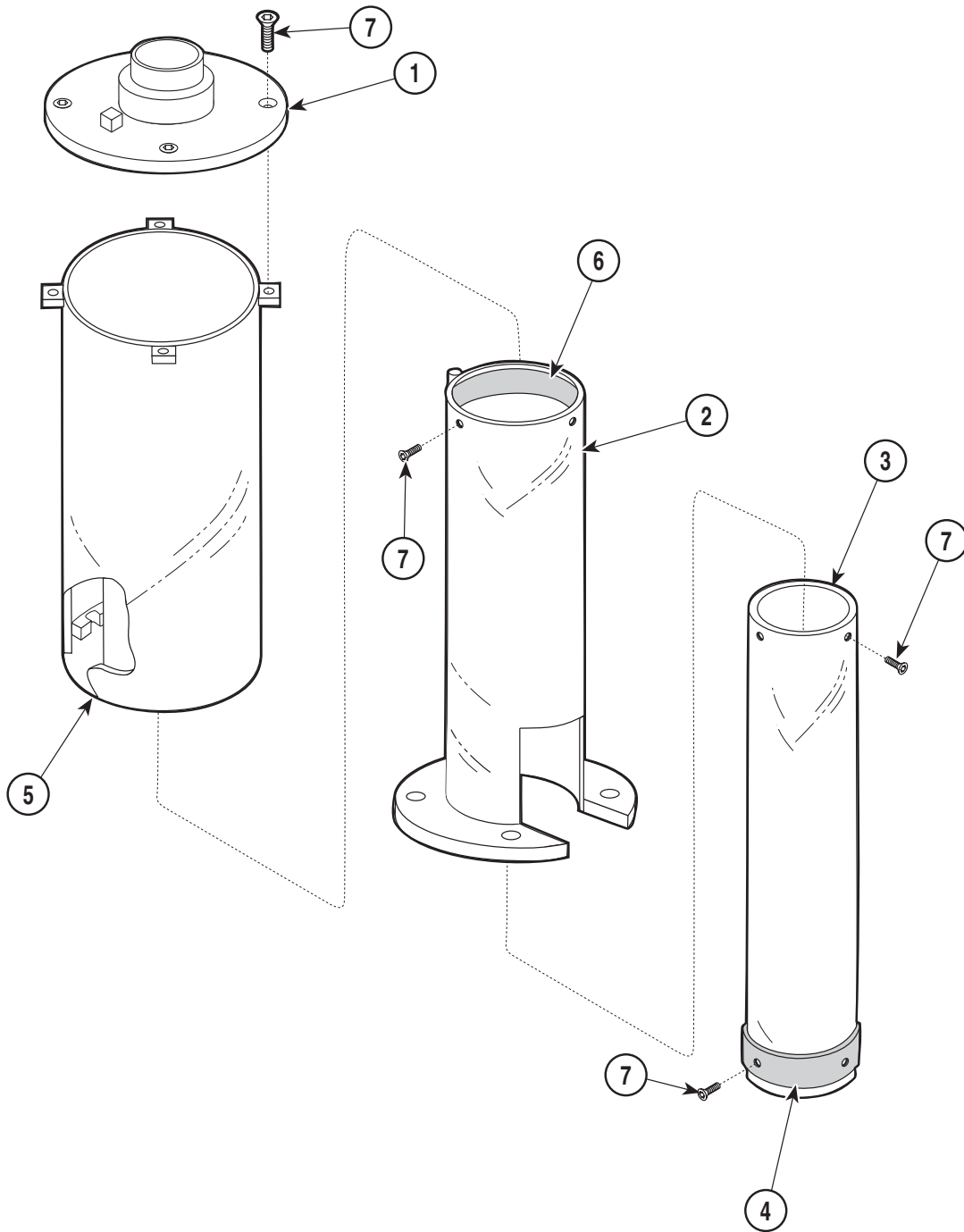
MA329900

Item	Part No.	Description	Qty.	Item	Part No.	Description	Qty.
1		Seat Casting (Refer to "Chair Frame ..... Assembly "Elsewhere) .....	Ref.	8	057-0244-00	Cam Stop .....	1
2	016-0076-00	Bushing .....	2	9	040-0250-10	Bolt .....	4
3	057-0141-00	Stop .....	1	10	045-0001-23	Lockwasher .....	4
4	057-0245-00	Handle .....	1	11	030-0345-00	Stop Weldment .....	1
5	016-0123-00	Knob .....	1	12	051--325-00	Pad .....	1
6	016-0076-04	Bushing .....	2	13	040-0010-36	Bolt .....	6
7	040-0250-05	Set Screw .....	2	14	053-0164-00	Bearing .....	1

Always Specify Model & Serial Number

# Column Assembly

## SECTION VI PARTS LIST



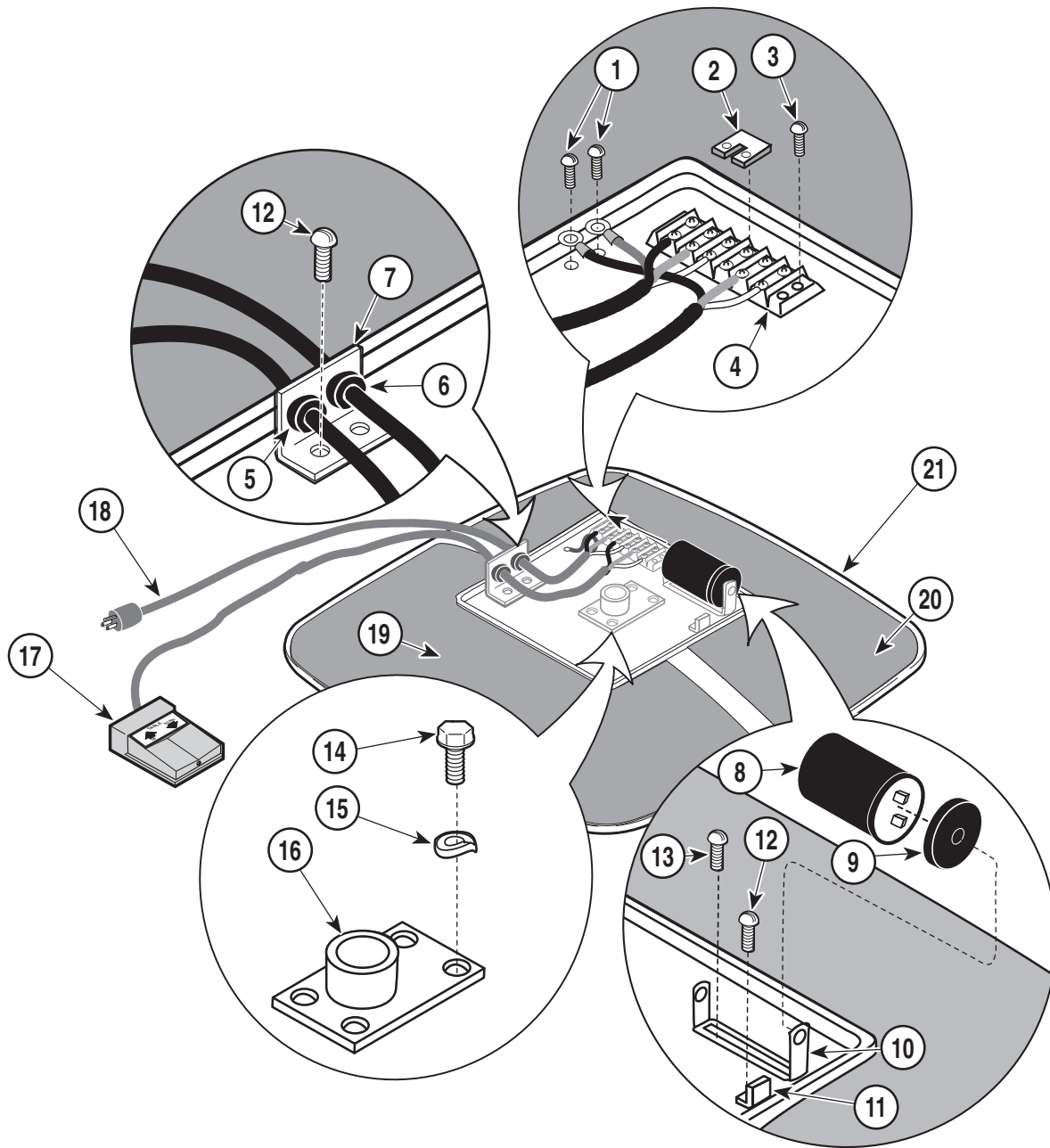
MA329000

Item	Part No.	Description	Qty.	Item	Part No.	Description	Qty.
	029-0433-00	Elevation Tub Assembly		4	016-0199-00	Bearing .....	1
1	030-0351-00	Top Plate .....	1	5	030-0356-00	Cover Tube .....	1
2	030-0357-00	Outer Tube .....	1	6	016-0203-00	Bearing .....	1
3	052-0086-00	Inner Tube .....	1	7		Screw (Add 262 Loctite) .....	18

Always Specify Model & Serial Number

# Base Assembly

# SECTION VI PARTS LIST



MA329100

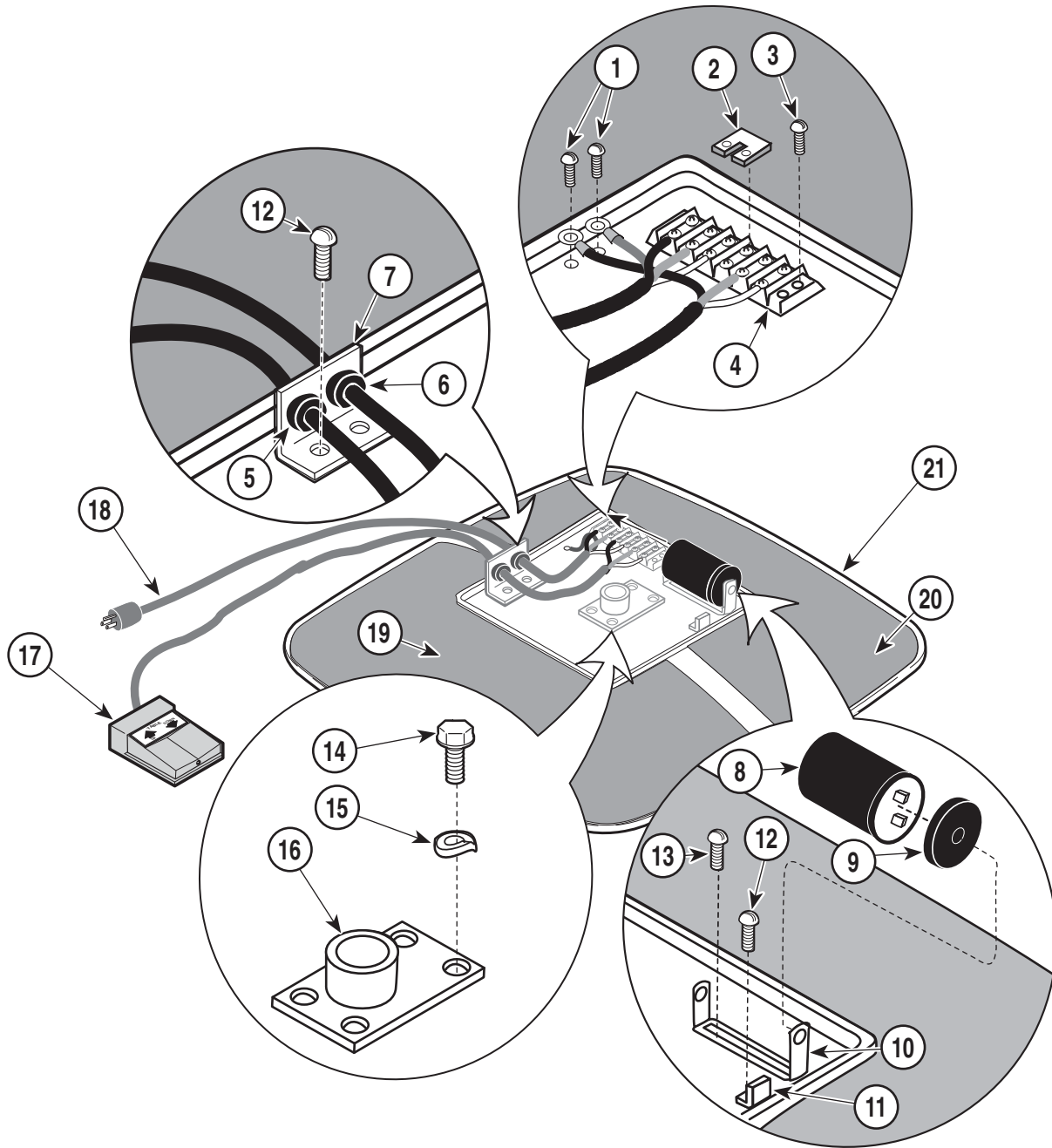
## Used on 418 Units with Serial Numbers: AK1000 thru AK1418

Item	Part No.	Description	Qty.	Item	Part No.	Description	Qty.
1	029-0434-00	Base Assembly		11	050-1184-00	Clip .....	2
	040-0010-47	Screw (plus 045-0001-31 external tooth lockwasher) .....	2	12	040-0010-04	Screw .....	2
2	015-0022-01	Jumper .....	1	13	040-0010-52	Screw .....	2
3	040-0006-33	Screw .....	2	14	040-0250-36	Bolt .....	4
4	015-0009-03	Terminal Block .....	1	15	045-0001-23	Lockwasher .....	4
5	015-0002-02	Strain Relief .....	1	16	030-0348-00	Mounting Weldment .....	1
6	015-0002-01	Strain Relief .....	1	17		Footswitch (Refer to "Footswitch Assembly" Elsewhere) .....	Ref
7	050-1022-01	Strain Relief Bracket .....	1	18	015-0066-02	Cord Assembly .....	1
8	015-0437-02	Capacitor .....	1	19	053-0360-00	Step Tread L.H. ....	1
9	015-0413-00	Capacitor Cap .....	1	20	053-0360-01	Step Tread R.H. ....	1
10	015-0412-00	Capacitor Cup .....	1	21	020-0035-00	Base .....	1

Always Specify Model & Serial Number

# Base Assembly

# SECTION VI PARTS LIST



MA329100

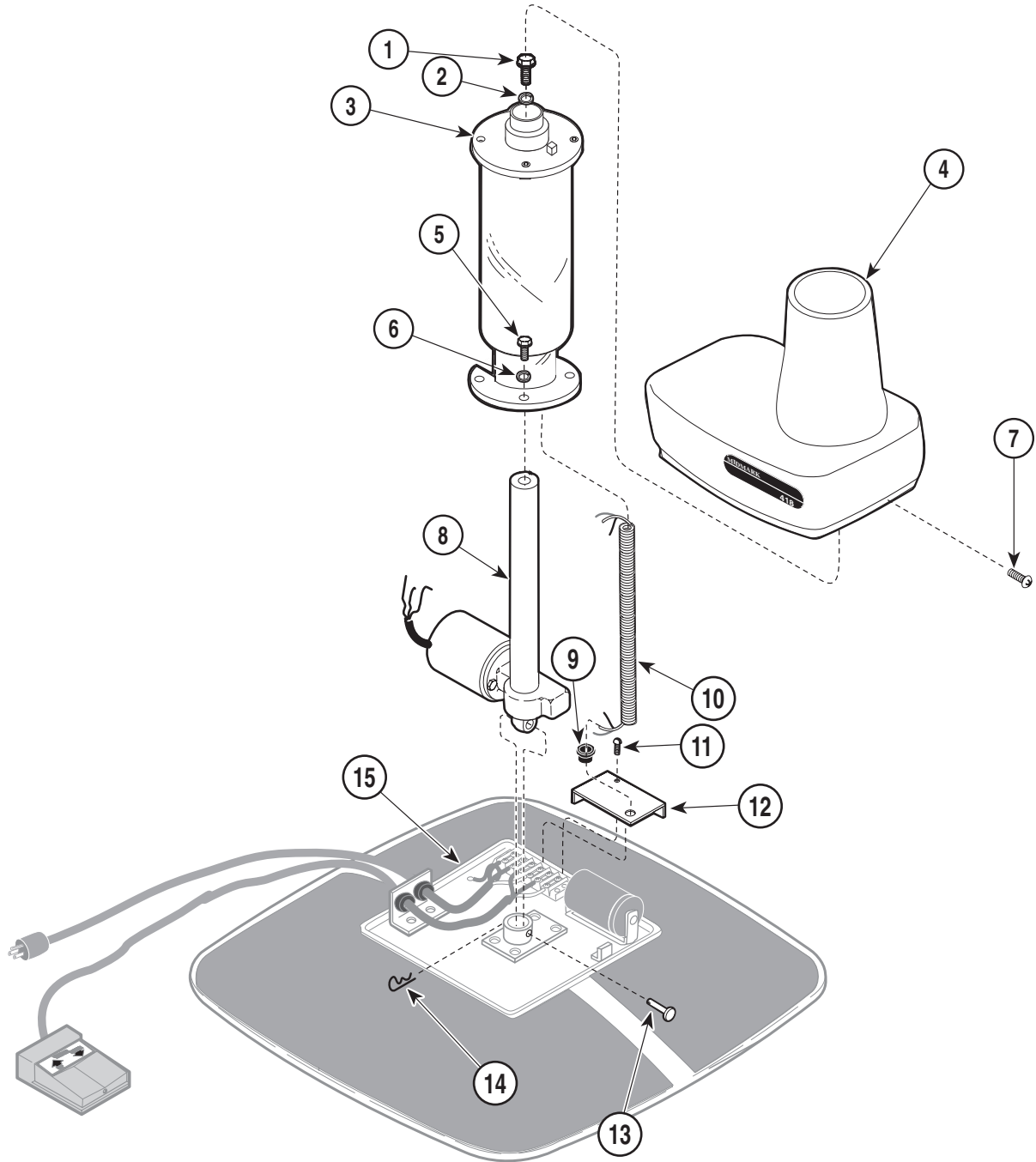
## Used on 418 Units with Serial Numbers: AK1419 thru Present

Item	Part No.	Description	Qty.	Item	Part No.	Description	Qty.
1	029-0434-00	Base Assembly		11	050-1184-00	Clip .....	2
	040-0010-47	Screw (plus 045-0001-31 external tooth lockwasher) .....	2	12	040-0010-04	Screw .....	2
2	015-0022-01	Jumper .....	1	13	040-0010-52	Screw .....	2
3	040-0006-33	Screw .....	2	14	040-0250-36	Bolt .....	4
4	015-0009-03	Terminal Block .....	1	15	045-0001-23	Lockwasher .....	4
5	015-0002-02	Strain Relief .....	1	16	030-0348-00	Mounting Weldment .....	1
6	015-0002-01	Strain Relief .....	1	17		Footswitch (Refer to "Footswitch Assembly" Elsewhere) .....	Ref
7	050-1022-01	Strain Relief Bracket .....	1	18	015-0066-09	Cord Assembly .....	1
8	015-0437-02	Capacitor .....	1	19	053-0360-00	Step Tread L.H. ....	1
9	015-0413-00	Capacitor Cap .....	1	20	053-0360-01	Step Tread R.H. ....	1
10	015-0412-00	Capacitor Cup .....	1	21	020-0035-00	Base .....	1

Always Specify Model & Serial Number

# Base and Elevation Column Assembly

## SECTION VI PARTS LIST



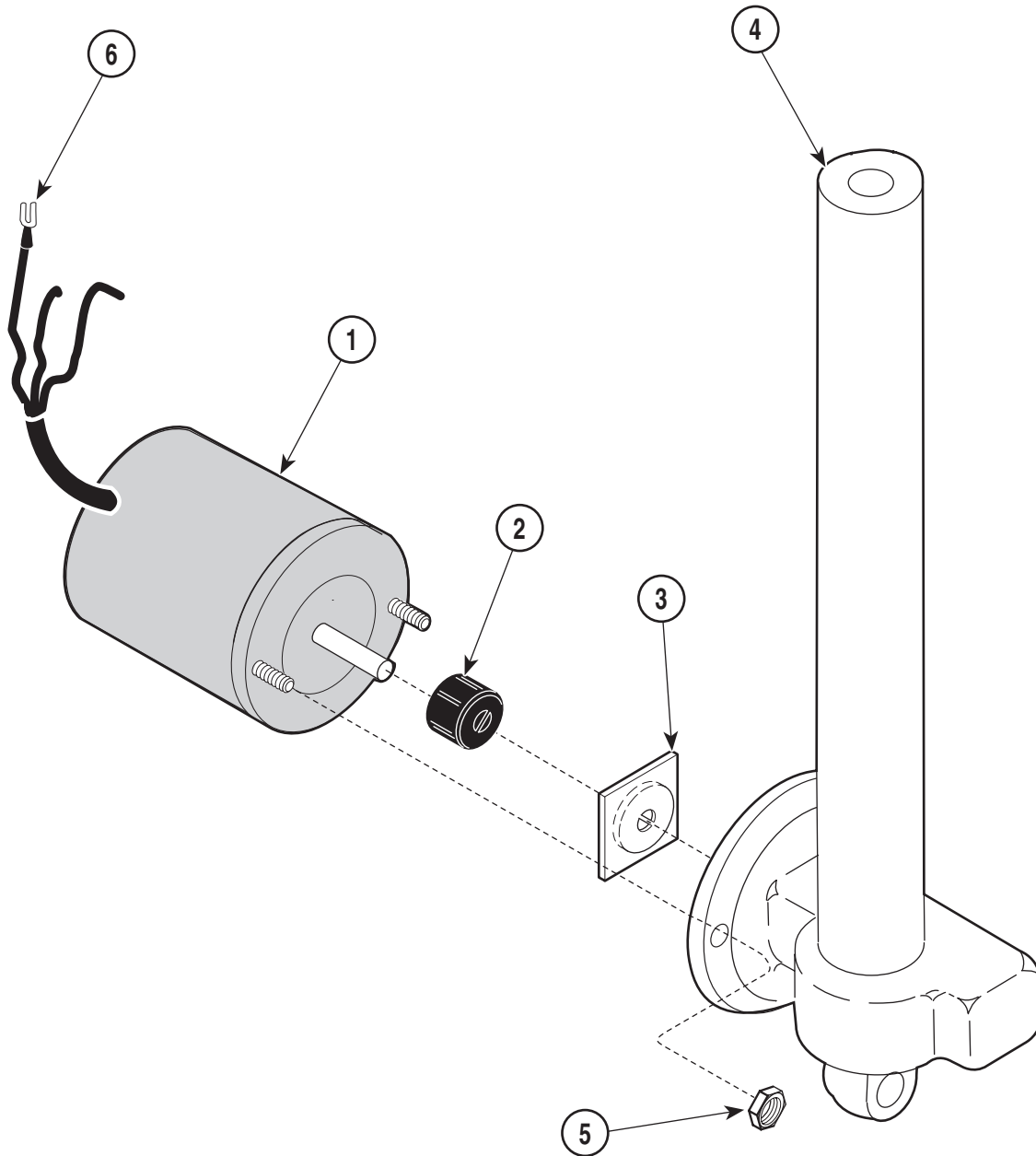
MA330200

Item	Part No.	Description	Qty.	Item	Part No.	Description	Qty.
1	040-0375-03	Bolt (apply Loctite 262) .....	1	8		Actuator (Refer to "Base Actuator Assembly" Elsewhere) .....	Ref.
2	045-0001-09	Lockwasher .....	1	9	015-0002-04	Strain Relief .....	1
3		Elevation Tube Assembly (Refer to "Column Assembly" Elsewhere) .....	Ref.	10	015-0415-00	Retractable Cord .....	1
4		Motor Cover (Refer to "Seat Swivel Assembly" Elsewhere) .....	Ref.	11	040-0010-53	Screw .....	1
5	040-0500-00	Bolt .....	4	12	050-1185-00	Terminal Block Cover .....	1
6	045-0001-33	Lockwasher .....	4	13	042-0005-01	Clevis Pin .....	1
7	040-0010-00	Screw .....	2	14	042-0004-00	Hitch Pin Clip .....	1
				15	S071-00010	Neoprene Seal .....	1

Always Specify Model & Serial Number

# Base Actuator Assembly

## SECTION VI PARTS LIST



MA330000

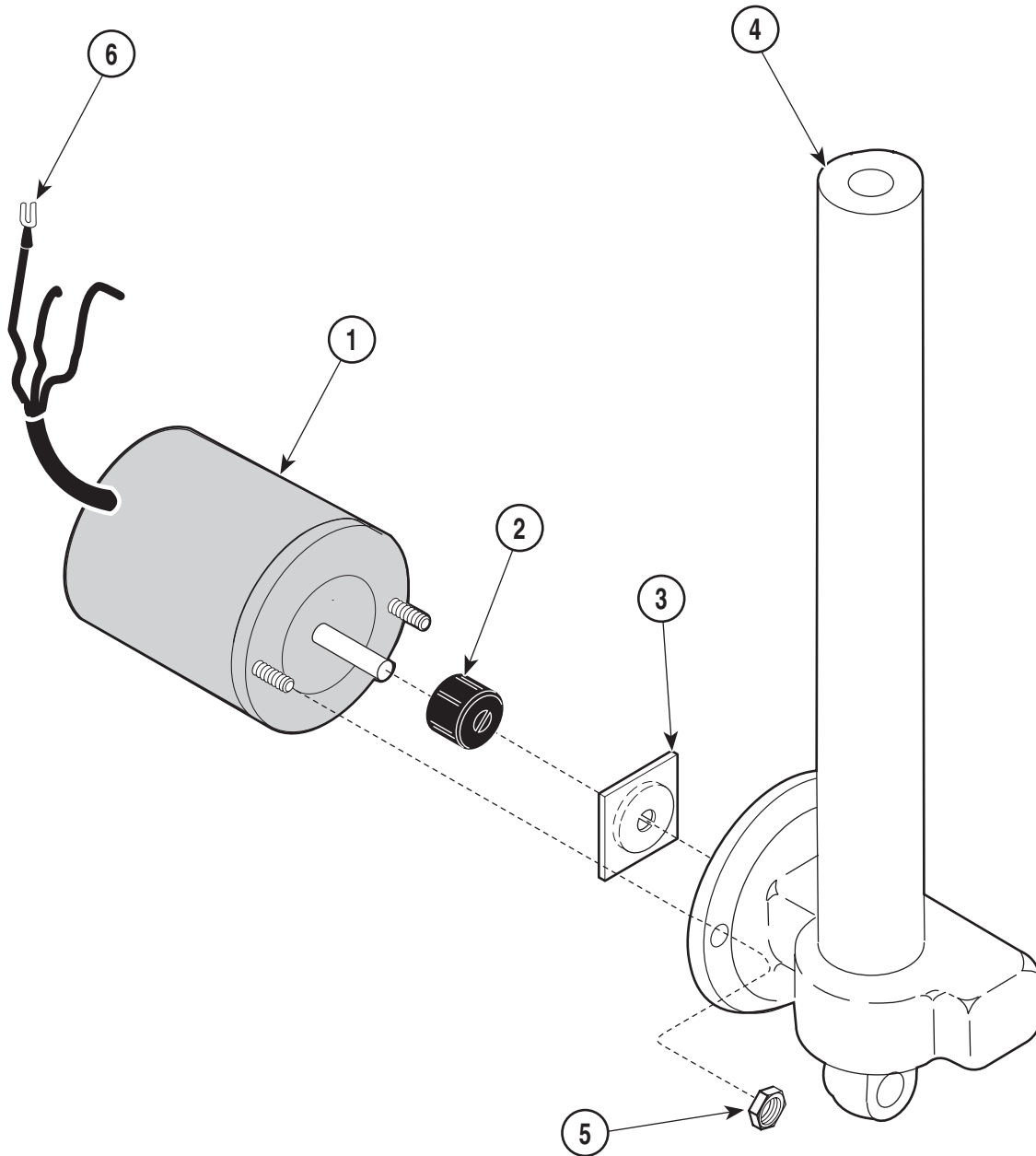
**Used on 418 Units with Serial Numbers: AK 1000 Thru AK 1267**

Item	Part No.	Description	Qty.	Item	Part No.	Description	Qty.
	029-0428-00	Ball Drive Actuator Assembly		4	016-0194-04	Actuator .....	1
1	015-0652-00	Motor (115 V) .....	1	5		Nut .....	2
2	016-0509-00	Motor Coupler .....	1	6	015-0018-03	Spade Terminal .....	3
3	016-0237-00	Actuator Brake .....	1		015-0215-12	Heat Shrink Tubing (not shown) .....	AR

**Always Specify Model & Serial Number**

# Base Actuator Assembly

## SECTION VI PARTS LIST



MA330000

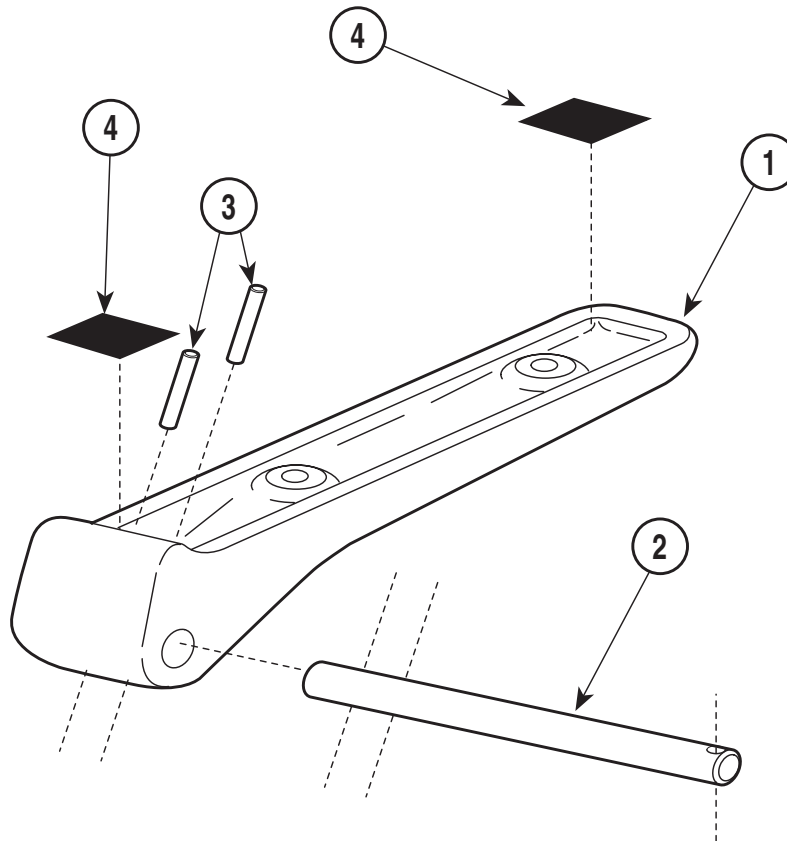
### Used on 418 Units with Serial Numbers: AK 1268 Thru Present

Item	Part No.	Description	Qty.	Item	Part No.	Description	Qty.
	029-0428-00	Ball Drive Actuator Assembly		4	016-0194-04	Actuator .....	1
1	015-0652-00	Motor (115 V) .....	1	5		Nut .....	2
2	016-0509-00	Motor Coupler .....	1	6	015-0018-03	Spade Terminal .....	3
3	016-0237-00	Actuator Brake .....	1		015-0466-12	Heat Shrink Tubing (not shown) .....	AR

Always Specify Model & Serial Number

# Arm Assembly

# SECTION VI PARTS LIST



MA330100

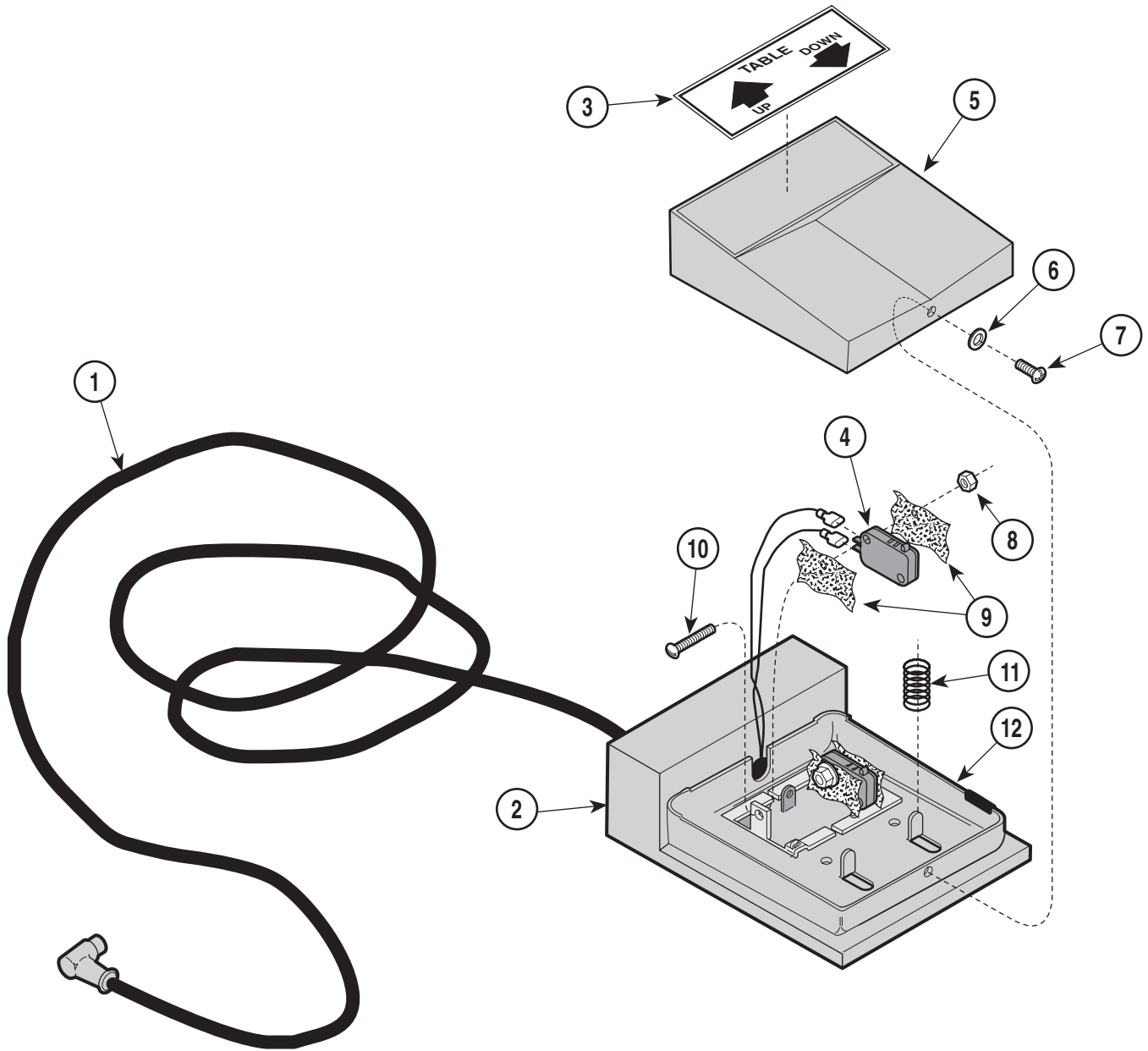
Item	Part No.	Description	Qty.	Item	Part No.	Description	Qty.
1	029-0429-00	Arm Assembly R.H.		2	057-0136-00	Arm Shaft .....	1
	029-0429-01	Arm Assembly L.H.		3	042-0043-00	Groove Pin .....	2
		Arm Casting (Refer to "Chair Frame .....		4	053-0131-00	Velcro .....	2
		Assembly" Elsewhere) .....	Ref				

Always Specify Model & Serial Number



# Footswitch Assembly

## SECTION VI PARTS LIST



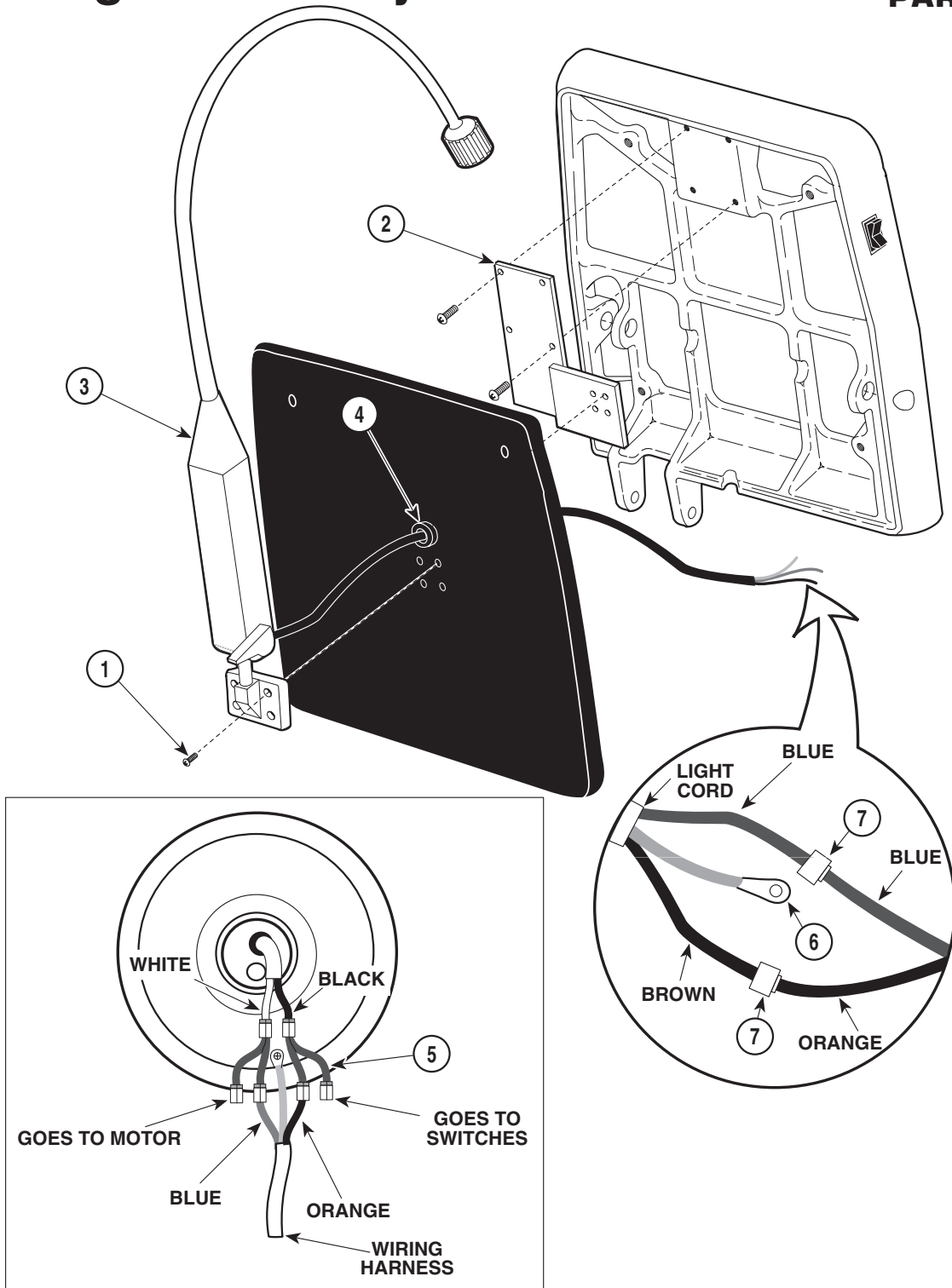
MA 329300

Item	Part No.	Description	Qty.	Item	Part No.	Description	Qty.
	015-0071-00	Footswitch .....	1	7	•	• Screw .....	1
1	•	• Cord .....	1	8	•	• Nut .....	1
2	•	• Base .....	1	9	•	• Insulators .....	2
3	061-0096-00	Switch Label .....	1	10	•	• Screw .....	2
4	•	• Foot Control Switch .....	1	11	•	• Spring .....	2
5	•	• Footswitch Pedal .....	1	12	•	• Switch Mount .....	1
6	•	• Lockwasher .....	1				

Always Specify Model & Serial Number

# Exam Light Assembly

## SECTION VI PARTS LIST



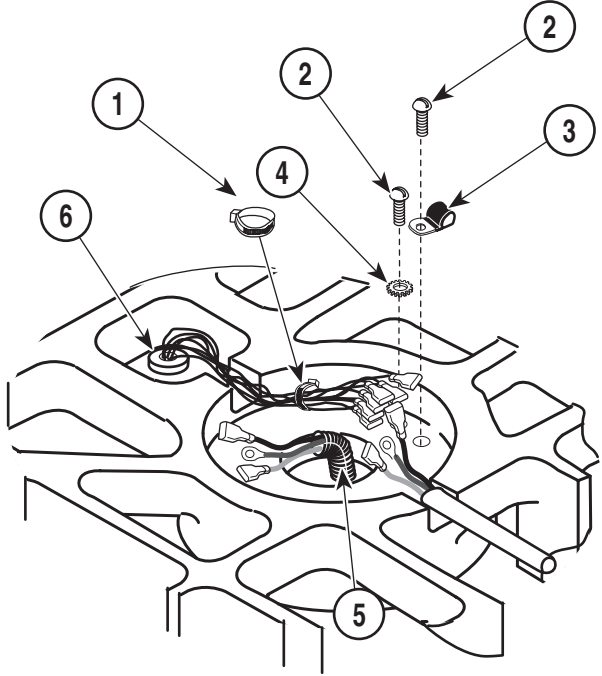
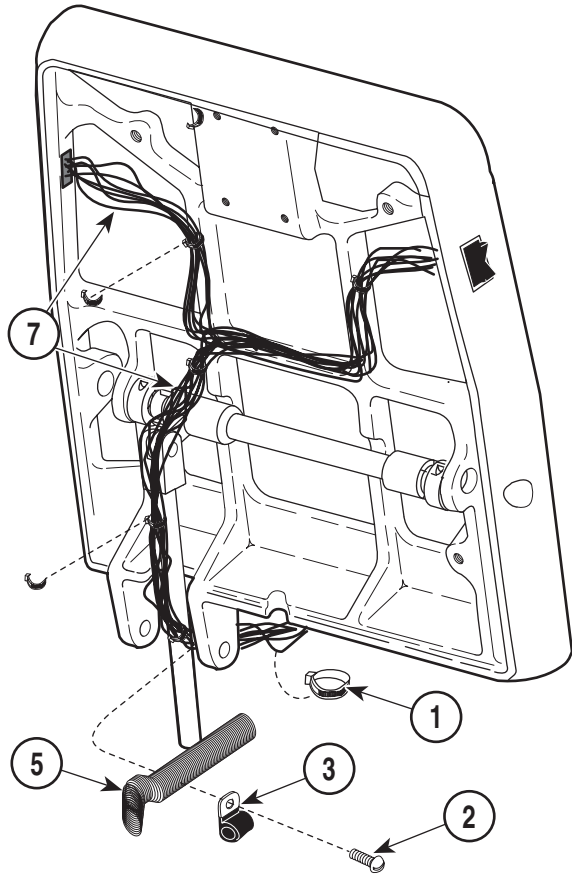
MA 330300

Item	Part No.	Description	Qty.	Item	Part No.	Description	Qty.
	9A106001 & 002	Exam Light (Domestic)			9A106003 & 004	Exam Light (Export)	
1	•040-0250-73	• Bolt .....	4	1	•040-0250-73	• Bolt .....	4
2	•030-0667-00	• Exam Light Weldment .....	1	2	•030-0667-00	• Exam Light Weldment .....	1
3	•015-0613-00	• 110 Exam Light .....	1	3	•015-0613-01	• 110 Exam Light .....	1
4	•015-0002-02	• Strain Relief Bushing (-001 only) .....	1	4	•015-0002-03	• Strain Relief Bushing (-003 only) .....	1
5	•015-0614-00	• Double Connector (-001 only) .....	2	5	•015-0614-00	• Double Connector (-003 only) .....	2
6	•015-0310-01	• Ring Terminal N.I.T. (-001 only) .....	1	6	•015-0310-01	• Ring Terminal N.I.T. (-003 only) .....	1
7	•015-0018-03	• Spring Spade (-001 only) .....	2	7	•015-0018-03	• Spring Spade (-003 only) .....	2

Always Specify Model & Serial Number

# Wiring Arrangement

# SECTION VI PARTS LIST



MA 330400

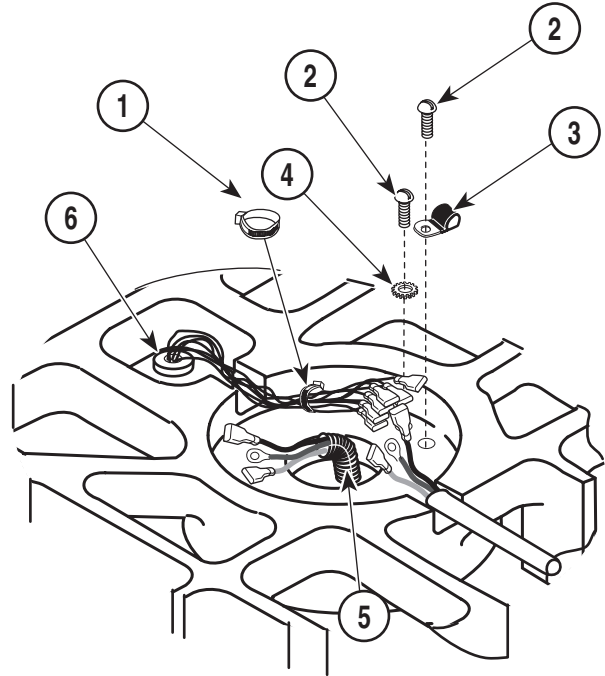
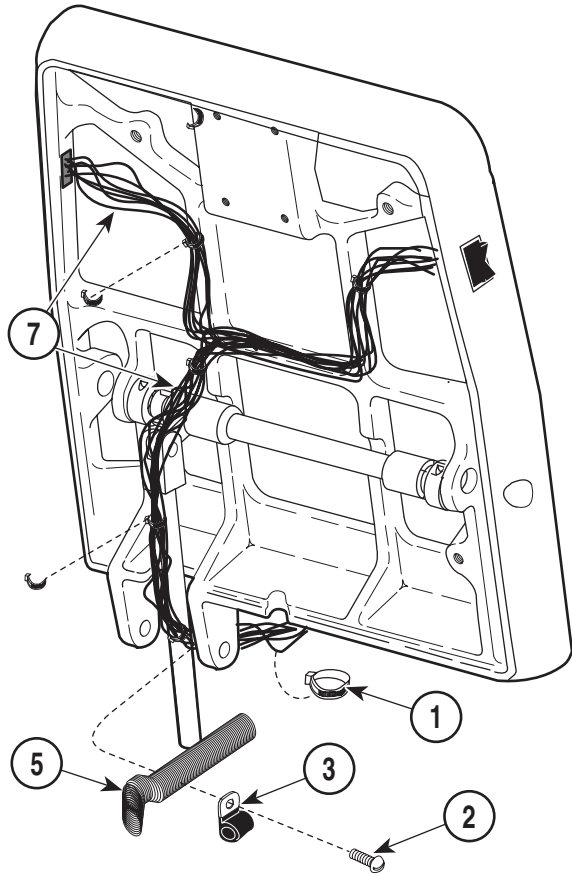
## Used on 418 Units with Serial Numbers: AK 1000 Thru AK 1543

Item	Part No.	Description	Qty.	Item	Part No.	Description	Qty.
1	015-0013-00	Cable Tie .....	9	5	015-0257-02	Flex Guard Tubing .....	2
2	040-0010-47	Screw .....	3	6	015-0002-04	Strain Relief .....	1
3	015-0001-00	Wire Clip .....	2	7	015-0453-00	Wiring Harness .....	1
4	045-0001-31	Washer .....	1				

Always Specify Model & Serial Number

# Wiring Arrangement

# SECTION VI PARTS LIST



MA 330400

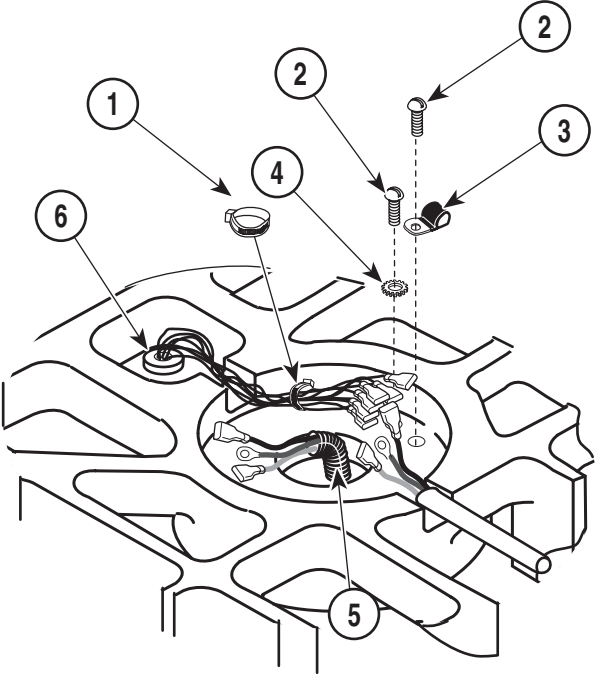
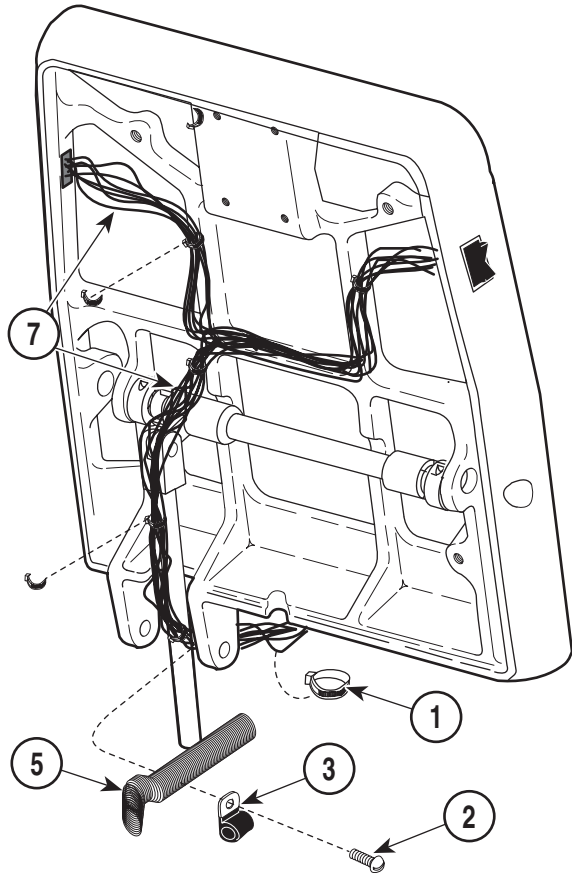
## Used on 418 Units with Serial Numbers: AK 1544 Thru AK 1877

Item	Part No.	Description	Qty.	Item	Part No.	Description	Qty.
1	015-0013-00	Cable Tie .....	9	5	015-0257-02	Flex Guard Tubing .....	2
2	040-0010-47	Screw .....	3	6	015-0002-04	Strain Relief .....	1
3	015-0001-00	Wire Clip .....	2	7	015-0516-00	Wiring Harness .....	1
4	045-0001-31	Washer .....	1				

Always Specify Model & Serial Number

# Wiring Arrangement

# SECTION VI PARTS LIST



MA 330400

**Used on 418 Units with Serial Numbers: AK 1878 Thru Present**

Item	Part No.	Description	Qty.	Item	Part No.	Description	Qty.
1	015-0013-00	Cable Tie .....	9	5	015-0257-02	Flex Guard Tubing .....	2
2	040-0010-47	Screw .....	3	6	015-0002-04	Strain Relief .....	1
3	015-0001-00	Wire Clip .....	2	7	015-0618-00	Wiring Harness .....	1
4	045-0001-31	Washer .....	1				

Always Specify Model & Serial Number



## COMMENTS

The Technical Publications Department of Midmark Corporation takes pride in its publications. We are sure that our manuals will fill all of your needs when you are performing scheduled maintenance, servicing, or repairs on a Midmark product.

However, if you find any errors or feel that there should be a change, addition, or deletion to a manual, please let us know!

**Page(s) and Paragraph(s) Needing Changed:**

**Description of Error or Desired Change:**

Please fax or mail a copy of this completed comment sheet to:

Midmark Corporation  
ATTN: Technical Publications Department  
60 Vista Drive  
Versailles, Ohio 45380  
Fax: (937) 526-5542

# FAX ORDERING FORM

(SERVICE PARTS ONLY)

**NOTES:**

- ALL **BLOCKED** AREAS MUST BE COMPLETED.
- USE FOR NON-WARRANTY FAX ORDERS ONLY. WARRANTY ORDERS MUST BE TELEPHONED IN (1-800-MIDMARK).

ATTENTION: SERVICE DEPARTMENT FAX#: 877-249-1793				
ACCT #: _____		P.O. #: _____		DATE: _____
NAME: _____		SHIP TO: _____		
ADDRESS: _____		_____		
CITY, ST.: _____		_____		
CONTACT: _____		_____		
PHONE: _____		_____		
<input type="checkbox"/> NON-EMERGENCY ORDER - TO SHIP WITHIN 72 HOURS IF PART(S) IN STOCK. <input type="checkbox"/> EMERGENCY ORDER - TO SHIP WITHIN 24 HOURS IF PART(S) IN STOCK (IF ORDER IS RECEIVED BEFORE 1:00 P.M. E.S.T). SEND NOTIFICATION IF PARTS ARE NOT AVAILABLE TO SHIP WITHIN 24 HOURS VIA E-MAIL OR FAX TO: _____		METHOD OF SHIPMENT <span style="float: right;"><u>OTHER</u> _____</span> UPS <span style="margin-left: 100px;">FED EX</span> <input type="checkbox"/> NEXT DAY A.M. <input type="checkbox"/> NEXT DAY A.M. <input type="checkbox"/> NEXT DAY P.M. <input type="checkbox"/> NEXT DAY P.M. <input type="checkbox"/> 2ND DAY <input type="checkbox"/> 2ND DAY <input type="checkbox"/> GROUND <input type="checkbox"/> ECONOMY		
QTY.	PART #	DESCRIPTION (SPECIFY COLOR OF ITEM IF APPLICABLE)	COLOR CODE	PRICE/PER
TOTAL COST: \$				





Midmark Corporation  
60 Vista Drive  
P.O. Box 286  
Versailles, Ohio 45380-0286  
937-526-3662  
Fax 937-526-5542  
midmark.com



Because we care.

Subject to change without notice.  
Refer to [www.Documark.com](http://www.Documark.com) for latest revision.