

303 -001
thru
-005

Ritter[®]
by MIDMARK

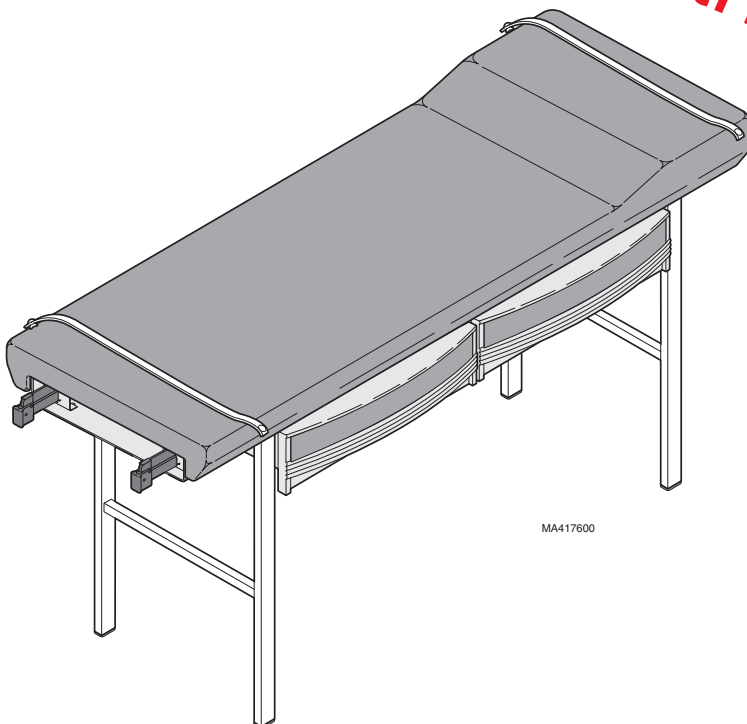
Medical
Examination
Table

Service and
Parts Manual

Serial Number Prefix:
HP, LW & V

NO LONGER IN PRODUCTION
Some service parts may not
be available for this product!

303 -001
thru
-005



MA417600

FOR USE BY MIDMARK
TRAINED TECHNICIANS ONLY

TABLE OF CONTENTS

Section/Paragraph	Page	Section/Paragraph	Page
IMPORTANT INSTRUCTIONS		SECTION VI PARTS LIST	
General Safety Instructions	ii	6.1 Introduction	6-1
Warnings	ii	6.2 Description of Columns	6-1
Warranty Instructions	ii	6.3 Torque Specifications	6-1
SECTION I GENERAL INFORMATION		Pictorial Index	6-2
Not Applicable		Upholstered Top:	
SECTION II TESTING AND TROUBLESHOOTING		<i>w/o Stirrups</i>	6-3
Not Applicable		<i>w/Stirrups</i>	6-4
SECTION III SCHEDULED MAINTENANCE		Table Frame:	
Not Applicable		<i>w/o Casters</i>	6-5
SECTION IV MAINTENANCE/SERVICE		<i>w/ Casters</i>	6-6
INSTRUCTIONS		Stirrup Components	6-7*
Not applicable		Drawer Components	6-8
SECTION V SCHEMATICS AND DIAGRAMS		COMMENTS	7-1
Not Applicable		FAX ORDERING FORM	7-2

(*) Indicates that there has been a serial number break for the illustration and that there are additional point page(s) following the original page.

IMPORTANT INSTRUCTIONS

General Safety Instructions

Safety First: The primary concern of Midmark Corporation is that this examination table is maintained with the safety of the patient and staff in mind. To assure that services and repairs are completed safely and correctly, proceed as follows:

- (1) Read this entire manual before performing any services or repairs on this exam light.
- (2) Be sure you understand the instructions contained in this manual before attempting to service or repair this exam light.

Warnings

Throughout this manual are Note, Caution, and Danger paragraphs that call attention to particular procedures. These items are used as follows:



DANGER

A **DANGER** is used for an imminently hazardous operating procedure, practice, or condition which, if not correctly followed, will result in loss of life or serious personal injury.



WARNING

A **WARNING** is used for a potentially hazardous operating procedure, practice, or condition which, if not correctly followed, could result in loss of life or serious personal injury.



CAUTION

A **CAUTION** is used for a potentially hazardous operating procedure, practice, or condition which, if not correctly followed, could result in minor or moderate injury. It may also be used to alert against unsafe practices.



EQUIPMENT ALERT

An **EQUIPMENT ALERT** is used for an imminently or potentially hazardous operating procedure, practice, or condition which, if not correctly followed, will or could result in serious, moderate, or minor damage to unit.

NOTE

A **NOTE** is used to amplify an operating procedure, practice or condition.

Warranty Instructions

Refer to the Midmark "Limited Warranty" printed on the back cover of the Installation and Operation Manual for warranty information. Failure to follow the guidelines listed below will void the warranty and/or render the 303 Examination Table unsafe for operation.

- In the event of a malfunction, do not attempt to operate the exam table until necessary repairs have been made.
- Do not attempt to disassemble exam table, replace malfunctioning or damaged components, or perform adjustments unless you are one of Midmark's authorized service technicians.
- Do not substitute parts of another manufacturer when replacing inoperative or damaged components. Use only Midmark replacement parts.

SECTION VI PARTS LIST

6.1 Introduction

The illustrated parts list provides information for identifying and ordering the parts necessary to maintain the unit in peak operating condition. Refer to paragraph 1.5 for parts ordering information.

The parts list also illustrates disassembly and assembly relationships of parts.

6.2 Description of Columns

The *Item* column of the parts list gives a component its own unique number. The same number is given to the component in the parts illustration. This allows a part number of a component to be found if the technician can visually spot the part on the illustration. The technician simply finds the component in question on the illustration and notes the item number of that component. Then, he finds that item number in the parts list. The row corresponding to the item number gives the technician the part number, a description of the component, and quantity of parts per subassembly. Also, if a part number is known, the location of that component can be determined by looking for the item number of the component on the illustration.

The *Part No.* column lists the MIDMARK part number for that component.

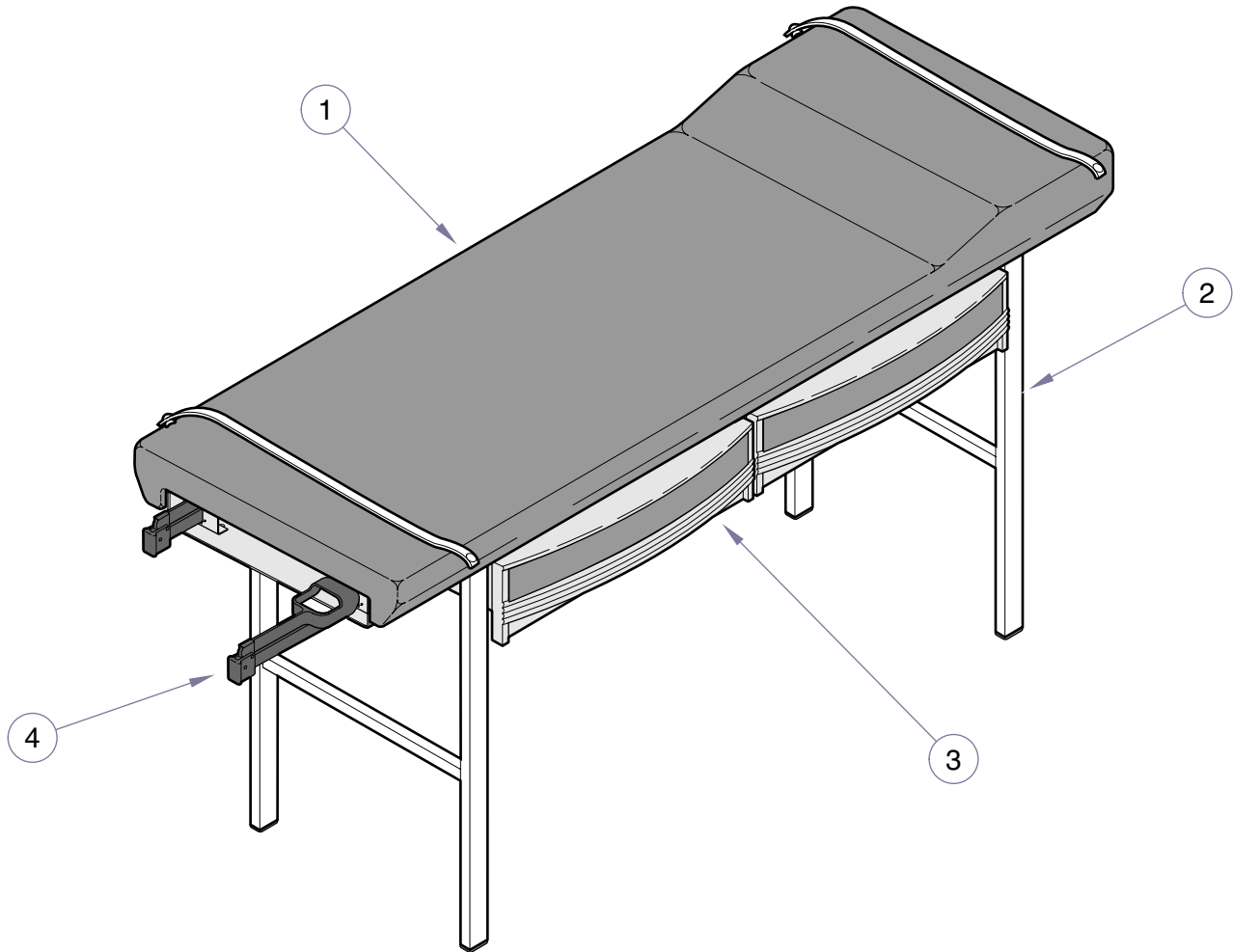
The *Description* column provides a physical description of the component.

The *Qty.* column lists the number of units of a particular component that is required for the subassembly. The letters "AR" denote "as required" when quantities of a particular component cannot be determined, such as: adhesive.

Bullets { • } in the *Part No.* column and the *Description* column show the indenture level of a component. If a component does not have a bullet, it is a main component of that illustration. If a component has a bullet, it is a subcomponent of the next component listed higher in the parts list than itself that does not have a bullet. Likewise, if a component has two bullets, it is a subcomponent of the next component listed higher in the parts list than itself that has only one bullet.

6.3 Torque Specifications and Important Assembly Notes

When specific assembly torque specifications, measurements, or procedures have been identified, by our engineering department, as required to assure proper function of the unit, those torque specifications measurements, and procedures will be noted on the parts illustrations. Adherence to these requirements is essential.



MA380200i

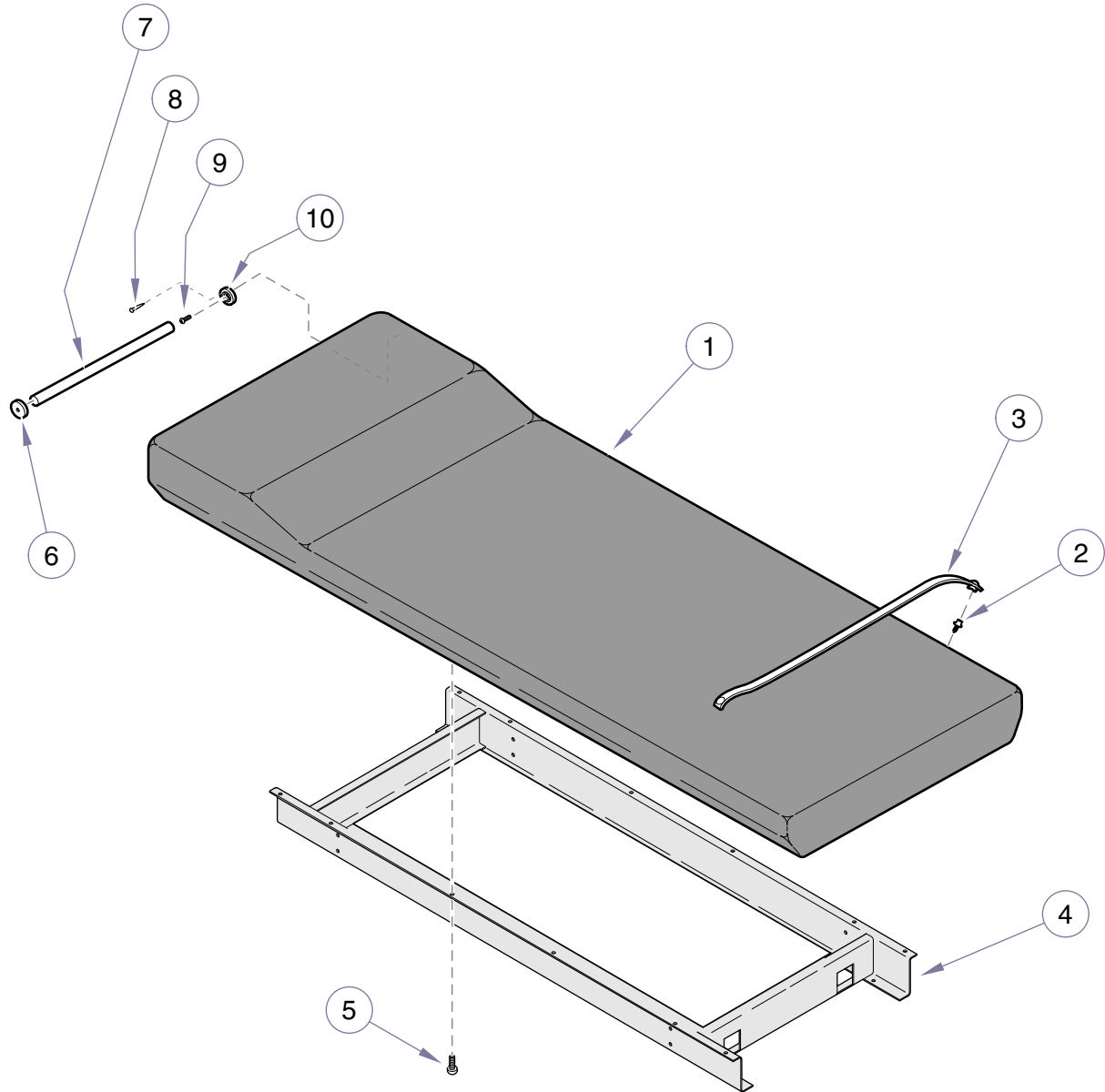
**Used on units with Serial Numbers:
HP1000, LW1000 & V2200 thru present**

Item	Part No.	Description	Page	Item	Part No.	Description	Page
	303-001	Staffline Table	6-2	1	•	• Upholstered Top:	
	303-002	Staffline Table w/ Drawers	6-2			<i>w/o Stirrups</i>	6-3
	303-003	Staffline Table w/ Stirrups	6-2			<i>w/ Stirrups</i>	6-4
	303-004	Staffline Table w/ Drawers & Stirrups [Shown]	6-2	2	•	• Table Frame:	
	303-005	Ethicon Table w/ Drawers & Stirrups CE Export	6-2			<i>w/o Casters</i>	6-5
						<i>w/ Casters (includes casters)</i>	6-6
				3	•	• Drawer Components	6-8
				4	•	• Stirrup Components	6-7*

Always Specify Model & Serial Number

Upholstered Top (w/o Stirrups)

SECTION VI PARTS LIST



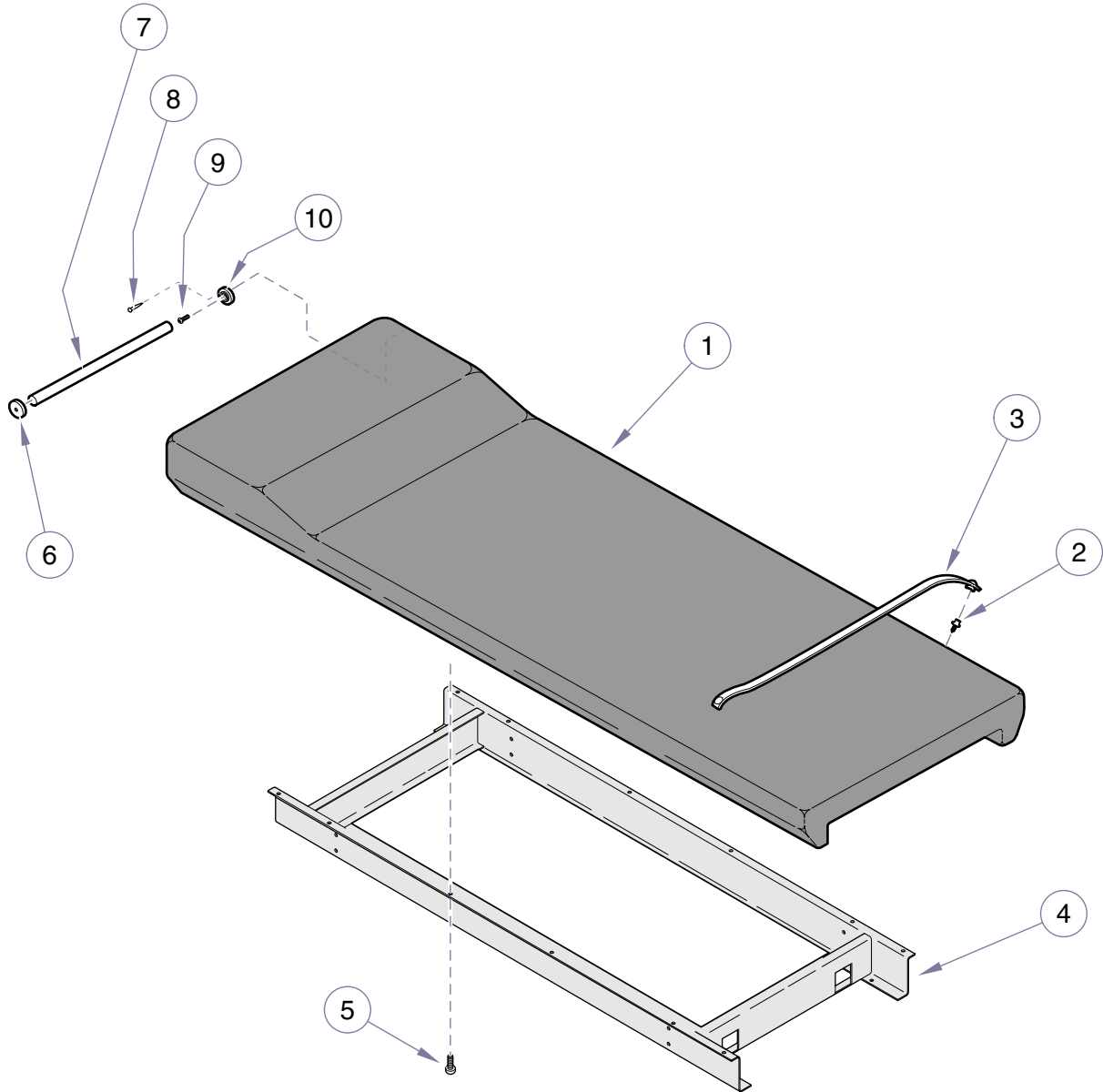
MA754700i

Item	Part No.	Description	Qty.	Item	Part No.	Description	Qty.
1	002-0657-00	Upholstery Kit (includes item 2):		5	040-0250-03	Screw	12
	028-0490-00	303 (-001 thru -004) - specify color	1	6	053-0043-03	L.H. Pole Socket	1
		303 (-005) - specify color	1	7	055-0005-00	Dowel	1
2	• 016-0022-00	• Stud	4	8	042-0605-00	Wire Nail	1
3	029-0017-00	Paper Tear Strap	2	9	040-0006-26	Screw	2
4	030-0045-40	Refer to: "Table Frame"	Ref	10	053-0043-04	R.H. Pole Socket	1

Always Specify Model & Serial Number

Upholstered Top (w/ Stirrups)

SECTION VI PARTS LIST



MA754700i

Item	Part No.	Description	Qty.	Item	Part No.	Description	Qty.
1	028-0466-01	Upholstery Kit w/ Stirrup Cutout (includes item 2) - specify color	1	6	053-0043-03	L.H. Pole Socket	1
2	•016-0022-00	• Stud	4	7	055-0005-00	Dowel	1
3	029-0017-00	Paper Tear Strap	2	8	042-0605-00	Wire Nail	1
4	030-0045-40	Refer to: "Table Frame"	Ref	9	040-0006-26	Screw	2
5	040-0250-03	Screw	12	10	053-0043-04	R.H. Pole Socket	1

Always Specify Model & Serial Number

Table Frame (w/o Casters)

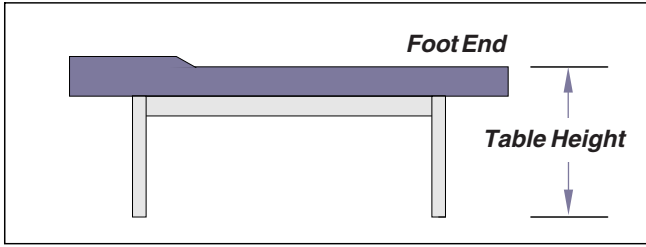
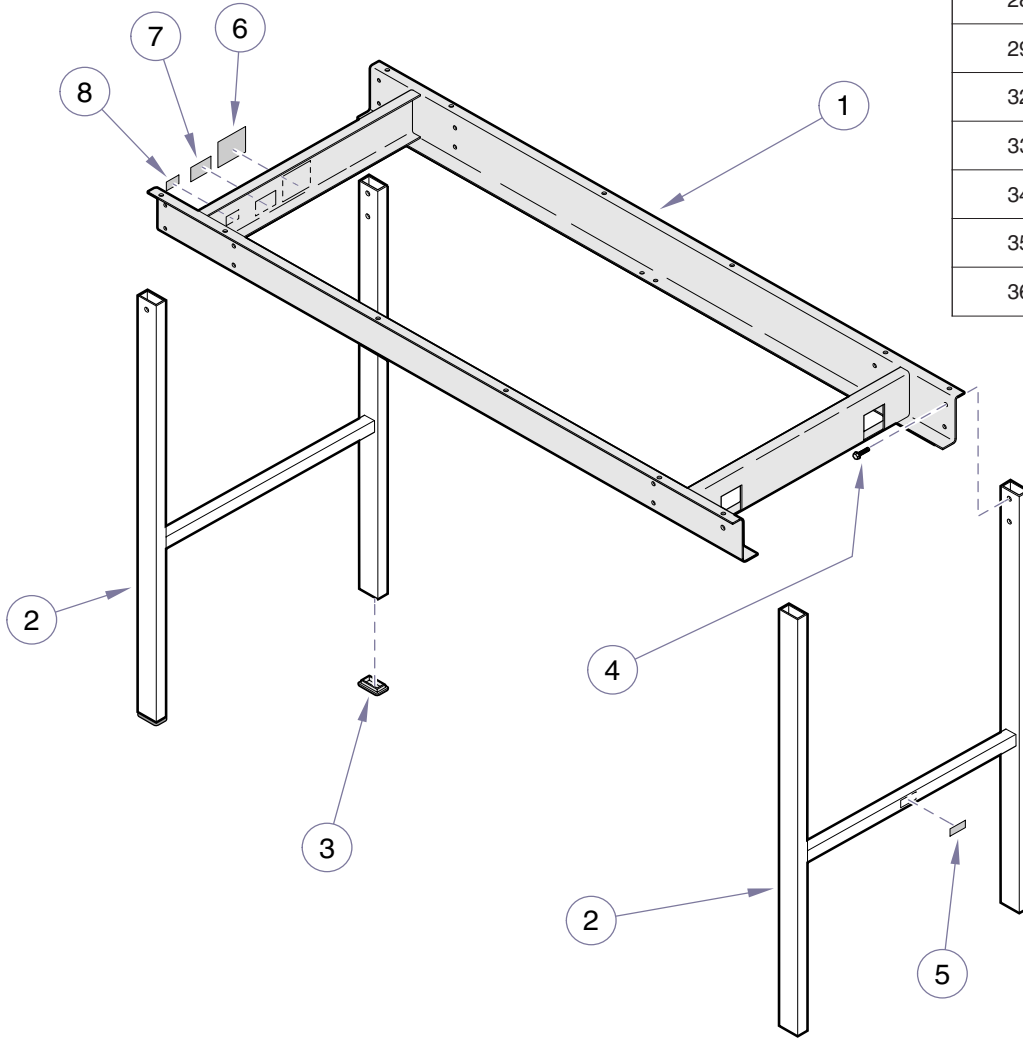


Table Height (w/o Casters)	H-Frame Part Number (item #2)
30.5 in. (standard)	029-0614-36
26 in.	029-0614-42
27 in.	029-0614-44
28 in.	029-0614-46
29 in.	029-0614-48
32 in.	029-0614-50
33 in.	029-0614-52
34 in.	029-0614-54
35 in.	029-0614-56
36 in.	029-0614-58



MA754700i

Item	Part No.	Description	Qty.	Item	Part No.	Description	Qty.
1		Sub-Frame Assembly:		5	061-0766-00	Ritter by Midmark Label	2
	030-0045-40	303 (-001 thru -004)	1	6	061-0661-00	CE Representative Label	
	030-1099-40	303 (-005)	1			(303-005 only)	1
2		H-Frame Assembly - refer to chart		7		Serial Number Label	1
		(includes item 3)		8	061-0590-00	CE Label (303-005 only)	1
3	• 053-0115-01	• Leg Plug	4				
4	040-0250-88	Screw	8				

Always Specify Model & Serial Number

Table Frame (w/ Casters)

SECTION VI PARTS LIST

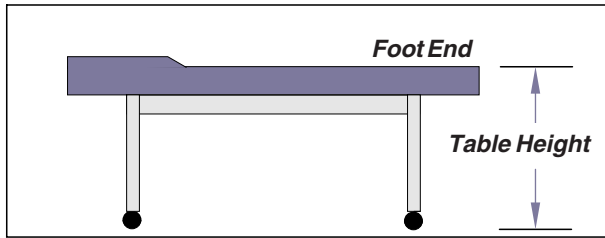
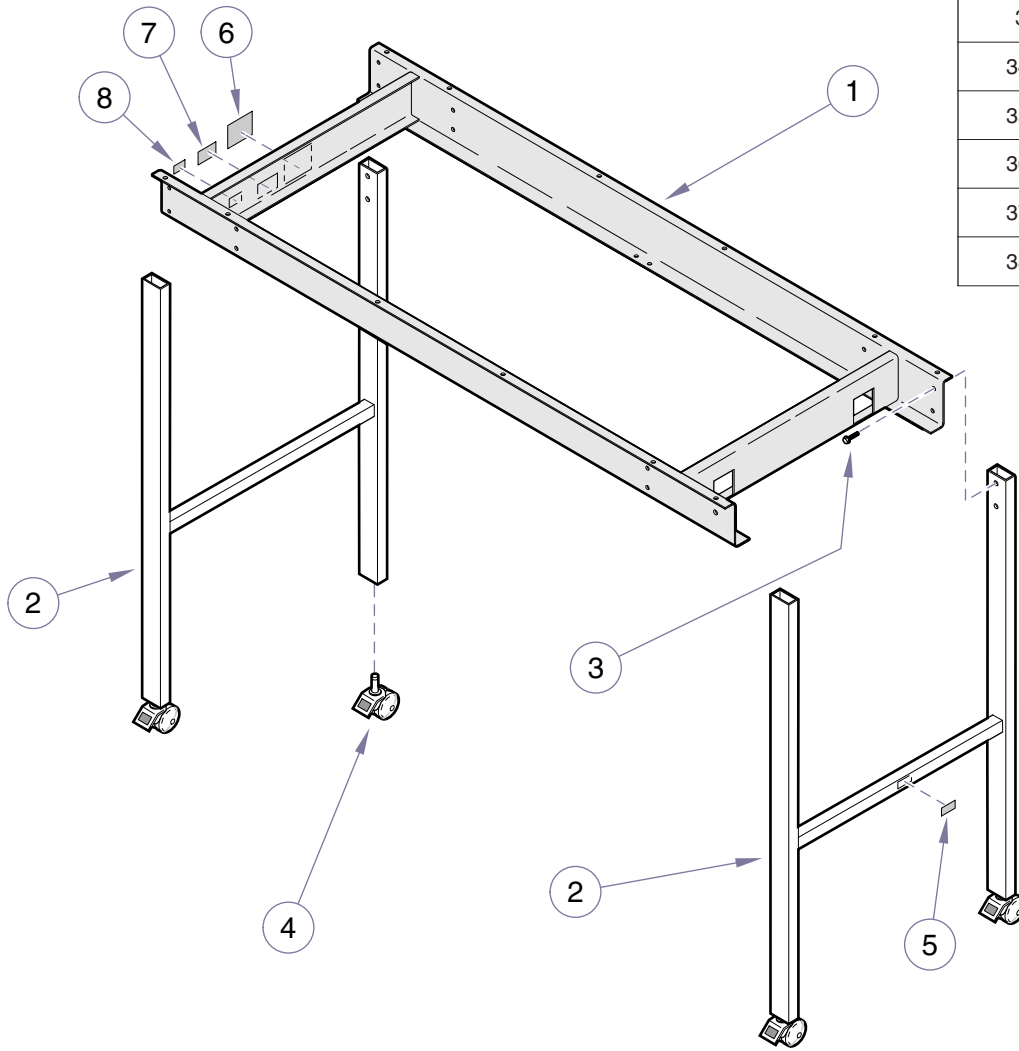


Table Height (w/ Casters)	H-Frame Part Number (item #2)
28.5 in.	029-0614-43
29.5 in.	029-0614-45
30.5 in.	029-0614-47
31.5 in.	029-0614-49
33 in.	029-0614-37
34.5 in.	029-0614-51
35.5 in.	029-0614-53
36.5 in.	029-0614-55
37.5 in.	029-0614-57
38.5 in.	029-0614-59



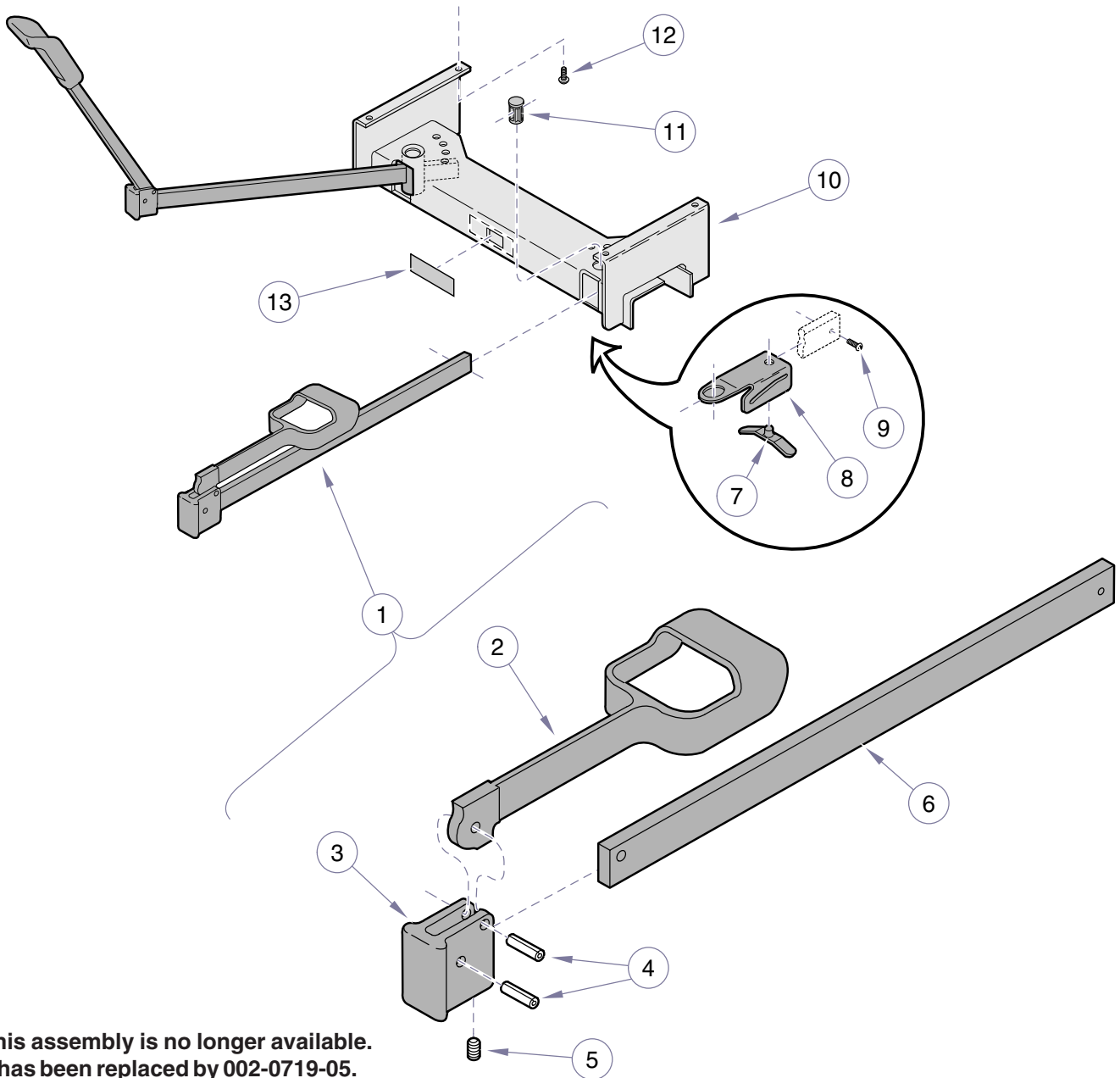
MA7547001

Item	Part No.	Description	Qty.	Item	Part No.	Description	Qty.
1		Sub-Frame Assembly:		5	061-0766-00	Ritter by Midmark Label	2
	030-0045-40	303 (-001 thru -004)	1	6	061-0661-00	CE Representative Label	
	030-1099-40	303 (-005)	1			(303-005 only)	1
2		H-Frame Assembly - refer to chart	2	7		Serial Number Label	1
3	040-0250-88	Screw	8	8	061-0590-00	CE Label (303-005 only)	1
4	016-0032-01	Caster	4				

Always Specify Model & Serial Number

Stirrup Components

SECTION VI PARTS LIST



**This assembly is no longer available.
It has been replaced by 002-0719-05.
Note: This kit contains two complete
stirrup assemblies.**

MA380501i

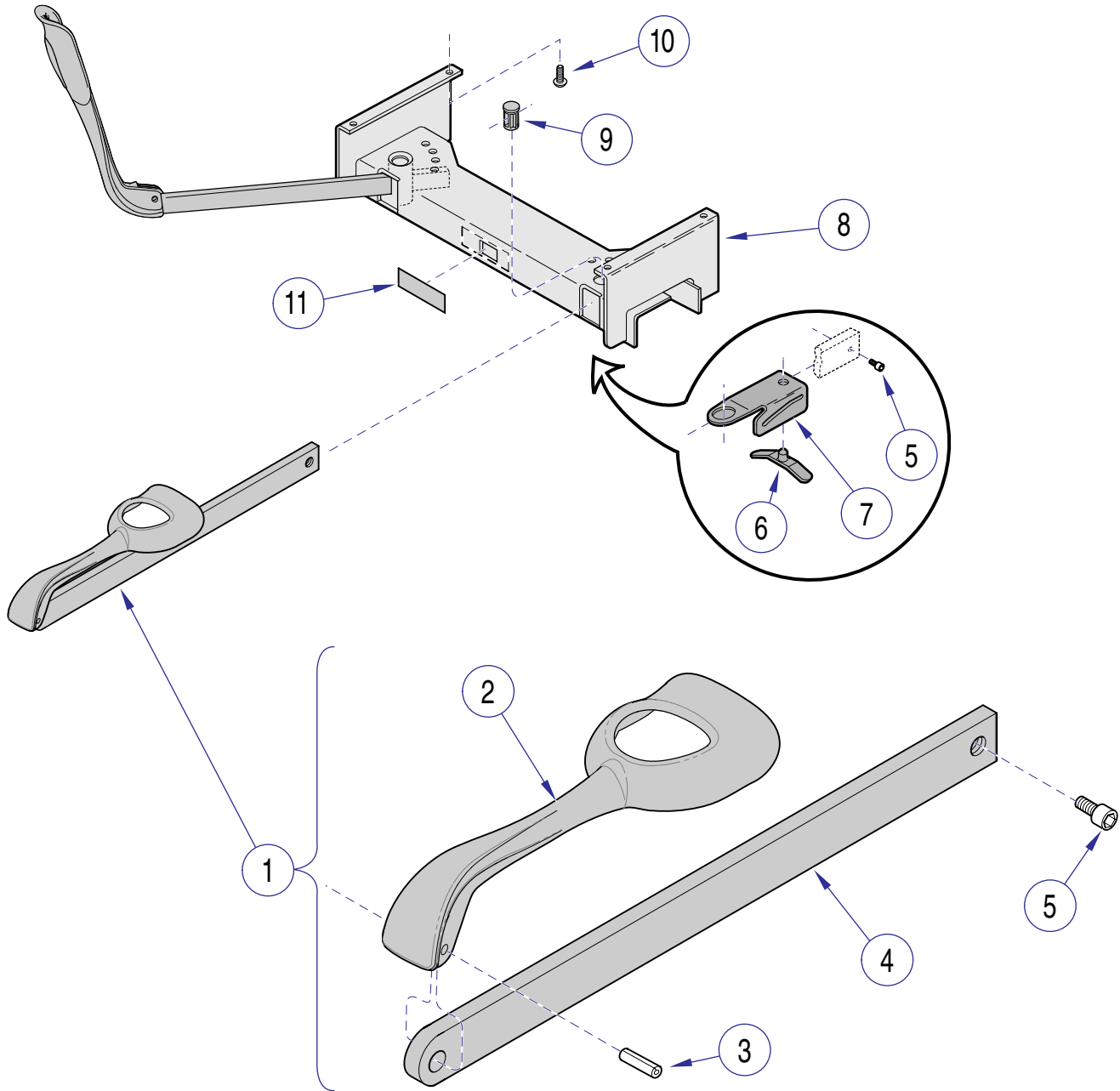
Used on units with Serial Number HP1000 thru HP4357

Item	Part No.	Description	Qty.	Item	Part No.	Description	Qty.
1	029-1397-02	Stirrup Assembly (includes item 2 thru 6)	1	7	016-0400-00	Stirrup Index Spring	2
2	•020-0001-31	•Painted Stirrup	1	8	050-1785-02	Stirrup Guide Bracket	2
3	•020-0096-30	•Pivot Block	1	9	040-0010-47	Screw	2
4	•042-0001-00	•Roll Pin	2	10	030-1093-40	Stirrup Channel Weldment	1
5	•040-0250-15	•Set Screw	1	11	053-0387-00	Pivot Boss	2
6	•051-0668-03	•Horizontal Bar	1	12	040-0250-03	Screw	4
				13	061-0296-00	Stirrup Instruction Label	1

Always Specify Model & Serial Number

Stirrup Components

SECTION VI PARTS LIST



MA6058001

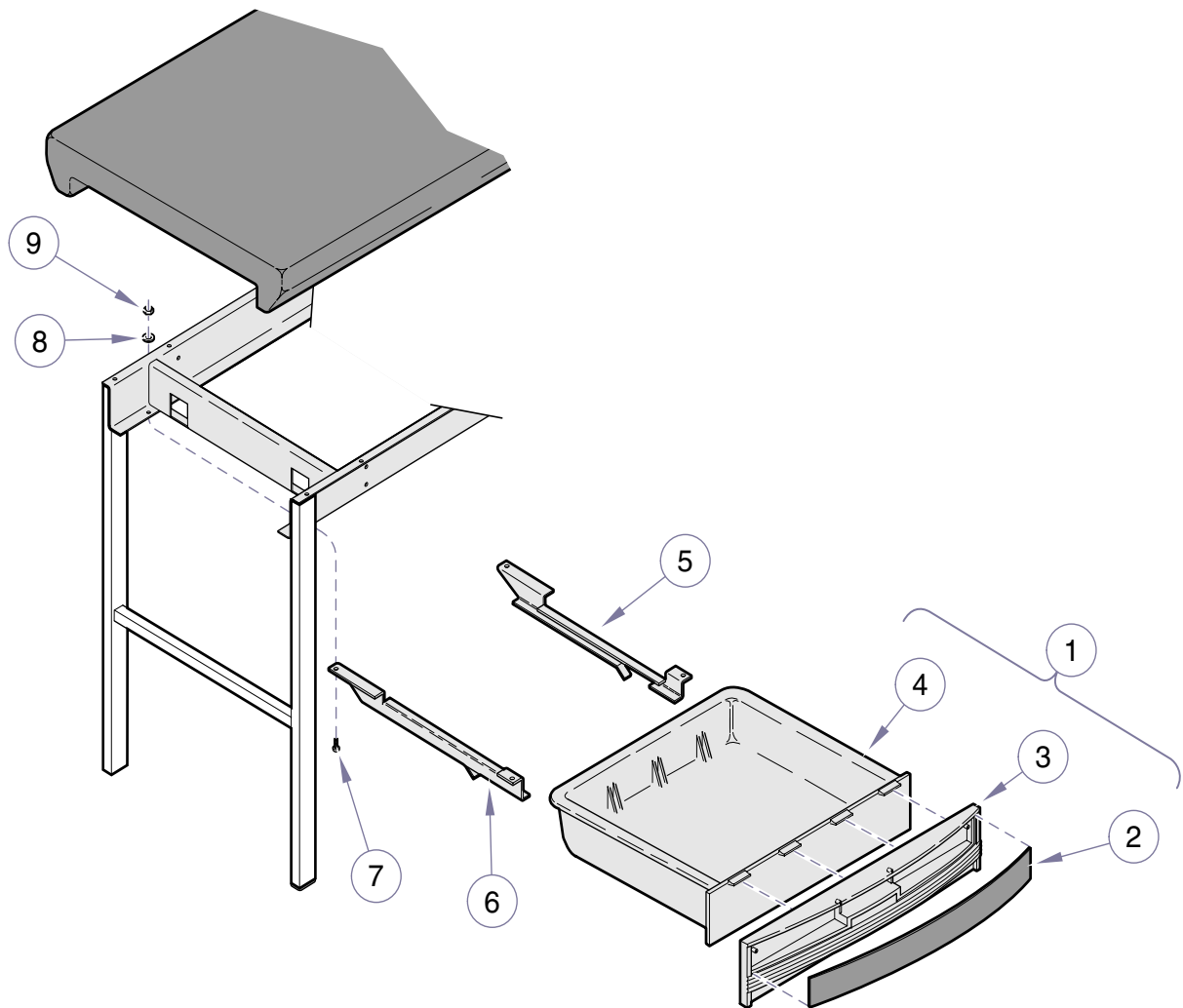
**Used on units with Serial Numbers:
HP4358 & V2200 thru present**

Item	Part No.	Description	Qty.	Item	Part No.	Description	Qty.
1	029-2951-03	Stirrup Assembly (includes items 2 thru 4)	2	6	016-0400-00	Stirrup Index Spring	2
2	• 020-0239-30	• Stirrup	1	7	050-5525-00	Stirrup Guide Bracket	2
3	• 042-0001-00	• Roll Pin	1	8	030-1093-40	Stirrup Channel Weldment	1
4	• 051-1003-01	• Stirrup Bar	1	9	053-0387-00	Pivot Boss	2
5	040-0010-47	Screw	2	10	040-0250-03	Screw	4
				11	061-0296-00	Stirrup Instruction Label	1

Always Specify Model & Serial Number

Drawer Components

SECTION VI PARTS LIST



Item	Part No.	Description	Qty.	Drawer Insert Color Codes (replace -xx)
	002-0623-00	Drawer Installation Kit (Two Drawers) (includes items 1 thru 9)	1	
1	029-2113-00	Drawer Assembly (includes items 2 thru 4)	2	
2	• 050-3684-xx	• Color Insert - specify color	1	01 Sand Grey
3	• 053-0822-00	• Drawer Front	1	02 Iris Blue
4	• 053-0829-00	• Plastic Drawer	1	03 Nile Green
5	050-3899-40	RH Drawer Runner	2	04 Royal Lavender
6	050-3913-40	LH Drawer Runner	2	05 Terra Rosa
7	040-0010-06	Screw	8	06 Slate Grey
8	045-0001-04	Lockwasher	8	
9	041-0010-00	Nut	8	

Always Specify Model & Serial Number

**SECTION VI
PARTS LIST**

COMMENTS

The Technical Publications Department of Midmark Corporation takes pride in its publications. We are sure that our manuals will fill all of your needs when you are performing scheduled maintenance, servicing, or repairs on a Midmark product.

However, if you find any errors or feel that there should be a change, addition, or deletion to a manual, please let us know!

Page(s) and Paragraph(s) Needing Changed:

Description of Error or Desired Change:

Please fax or mail a copy of this completed comment sheet to:

Midmark Corporation
ATTN: Technical Publications Department
60 Vista Drive
Versailles, Ohio 45380
Fax: (937) 526-5542

FAX ORDERING FORM

(SERVICE PARTS ONLY)

NOTES:

- ALL **BLOCKED** AREAS MUST BE COMPLETED.
- USE FOR NON-WARRANTY FAX ORDERS ONLY. WARRANTY ORDERS MUST BE TELEPHONED IN (1-800-MIDMARK).

ATTENTION: SERVICE DEPARTMENT FAX#: 877-249-1793				
ACCT #: _____		P.O. #: _____		DATE: _____
NAME: _____		SHIP TO: _____		
ADDRESS: _____		_____		
CITY, ST.: _____		_____		
CONTACT: _____		_____		
PHONE: _____		_____		
<input type="checkbox"/> NON-EMERGENCY ORDER - TO SHIP WITHIN 72 HOURS IF PART(S) IN STOCK.		METHOD OF SHIPMENT <u>OTHER</u> _____		
<input type="checkbox"/> EMERGENCY ORDER - TO SHIP WITHIN 24 HOURS IF PART(S) IN STOCK (IF ORDER IS RECEIVED BEFORE 1:00 P.M. E.S.T). SEND NOTIFICATION IF PARTS ARE NOT AVAILABLE TO SHIP WITHIN 24 HOURS VIA E-MAIL OR FAX TO: _____		UPS FED EX <input type="checkbox"/> NEXT DAY A.M. <input type="checkbox"/> NEXT DAY A.M. <input type="checkbox"/> NEXT DAY P.M. <input type="checkbox"/> NEXT DAY P.M. <input type="checkbox"/> 2ND DAY <input type="checkbox"/> 2ND DAY <input type="checkbox"/> GROUND <input type="checkbox"/> ECONOMY		
QTY.	PART #	DESCRIPTION (SPECIFY COLOR OF ITEM IF APPLICABLE)	COLOR CODE	PRICE/PER
			TOTAL COST: \$	

Midmark Corporation
60 Vista Drive
P.O. Box 286
Versailles, Ohio 45380-0286
937-526-3662
Fax 937-526-5542
midmark.com



Because we care.

Subject to change without notice.
Refer to www.Documark.com for latest revision.