

**300** -001  
thru  
-006

**Ritter**<sup>®</sup>  
by MIDMARK

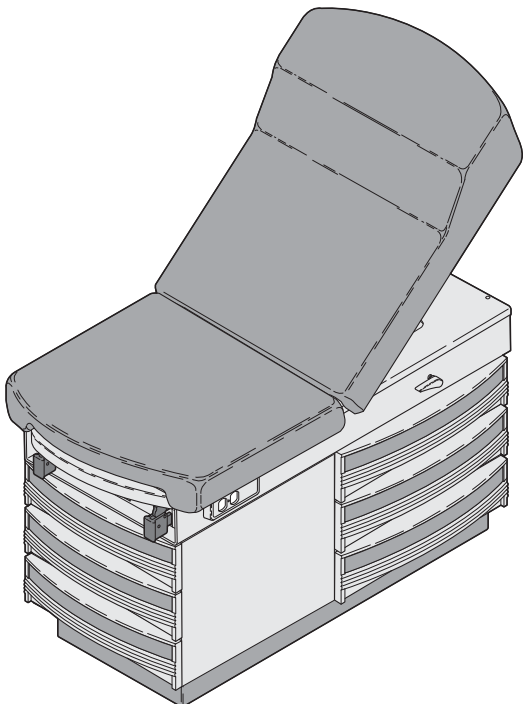
Examination  
Table

Serial Number Prefix:  
GE, GF, GH & V

Service and  
Parts Manual

**NO LONGER IN PRODUCTION**  
Some service parts may not  
be available for this product!

**300** -001  
thru  
-006



FOR USE BY MIDMARK  
TRAINED TECHNICIANS ONLY



# TABLE OF CONTENTS

Section/Paragraph	Page	Section/Paragraph	Page
<b>IMPORTANT INSTRUCTIONS</b>		<b>SECTION V SCHEMATICS AND DIAGRAMS</b>	
General Safety Instructions.....	ii	5.1 Electrical Schematics / Wiring Diagrams.....	5-1
Safety Alert Symbols .....	ii	<b>SECTION VI PARTS LIST</b>	
Warranty Instructions.....	ii	6.1 Introduction .....	6-1
<b>SECTION I GENERAL INFORMATION</b>		6.2 Description of Columns.....	6-1
1.1 Scope of Manual.....	1-1	Pictorial Index (300-001, 002).....	6-2
1.2 How to Use Manual.....	1-1	Pictorial Index (300-003, 004).....	6-3
1.3 Description of 300 Medical Examination Table .....	1-1	Pictorial Index (300-005, 006).....	6-4
1.4 Standard Torque Specifications.....	1-3	Table Top Components.....	6-5
1.5 Specifications .....	1-3	Upper Wrap Components.....	6-6
1.6 Parts Replacement Ordering.....	1-3	Stirrup Components .....	6-7.*
1.7 Special Tools .....	1-5	Cabinet Components.....	6-8
<b>SECTION II TESTING AND TROUBLESHOOTING</b>		Step Assembly .....	6-9
2.1 Operational Test.....	2-1	Electrical Components .....	6-10
2.2 Troubleshooting Procedures.....	2-3	<b>COMMENTS .....</b>	
<b>SECTION III SCHEDULED MAINTENANCE</b>		<b>FAX ORDERING FORM.....</b>	
3.1 Scheduled Maintenance .....	3-1	7-1	
<b>SECTION IV MAINTENANCE/SERVICE INSTRUCTIONS</b>		7-2	
4.1 Introduction .....	4-1		
4.2 Upholstery Removal / Installation.....	4-1		
4.3 Footrest Extension Removal / Installation....	4-3		
4.4 Step Assembly Removal / Installation.....	4-4		
4.5 Back Lock Assembly Removal / Installation .....	4-6		
4.6 Lift Lever Removal / Installation.....	4-8		
4.7 Heater ON / OFF Switch Removal / Installation .....	4-11		
4.8 Heater Plate Removal / Installation.....	4-11		
4.9 Electrical Receptacle Removal / Installation .....	4-13		
4.10 Stirrup Components Removal / Installation .....	4-14		

(\*) Indicates that there has been a serial number break for the illustration and that there are additional point page(s) following the original page.

# IMPORTANT INSTRUCTIONS

## General Safety Instructions

**Safety First:** The primary concern of Midmark Corporation is that this table is maintained with the safety of the patient and staff in mind. To assure that services and repairs are completed safely and correctly, proceed as follows:

- (1) Read this entire manual before performing any services or repairs on this table.
- (2) Be sure you understand the instructions contained in this manual before attempting to service or repair this table.

## Safety Alert Symbols

Throughout this manual are safety alert symbols that call attention to particular procedures. These items are used as follows:



### DANGER

A **DANGER** is used for an imminently hazardous operating procedure, practice, or condition which, if not correctly followed, will result in loss of life or serious personal injury.



### WARNING

A **WARNING** is used for a potentially hazardous operating procedure, practice, or condition which, if not correctly followed, could result in loss of life or serious personal injury.



### CAUTION

A **CAUTION** is used for a potentially hazardous operating procedure, practice, or condition which, if not correctly followed, could result in minor or moderate injury. It may also be used to alert against unsafe practices.



### EQUIPMENT ALERT

An **EQUIPMENT ALERT** is used for an imminently or potentially hazardous operating procedure, practice, or condition which, if not correctly followed, will or could result in serious, moderate, or minor damage to unit.

### NOTE

A **NOTE** is used to amplify an operating procedure, practice or condition.

## Warranty Instructions

Refer to the Midmark "Limited Warranty" printed in the Installation and Operation Manual for warranty information. Failure to follow the guidelines listed below will void the warranty and/or render the 300 Medical Examination Table unsafe for operation.

- In the event of a malfunction, do not attempt to operate the table until necessary repairs have been made.
- Do not attempt to disassemble table, replace malfunctioning or damaged components, or perform adjustments unless you are one of Midmark's authorized service technicians.
- Do not substitute parts of another manufacturer when replacing inoperative or damaged components. Use only Midmark replacement parts.

**SECTION I  
GENERAL INFORMATION**

**1.1 Scope of Manual**

This manual contains detailed troubleshooting, scheduled maintenance, and service instructions for Model 300 Medical Examination Table. This manual is intended to be used by Midmark's authorized service technicians.

**1.2 How to Use Manual**

**A. Manual Use When Performing Scheduled Maintenance.**

- (1) Perform inspections and services listed in Scheduled Maintenance Chart (Refer to para 3.1).
- (2) If a component is discovered to be faulty or out of adjustment, replace or adjust component in accordance with maintenance/service instructions (Refer to para 4.1).

**B. Manual Use When Table Is Malfunctioning And Cause Is Unknown.**

- (1) Perform an operational test on table (Refer to para 2.1).
- (2) Perform troubleshooting procedures listed in Troubleshooting Guide (Refer to para 2.2).
- (3) If a component is discovered to be faulty or out of adjustment, replace or adjust component in accordance with maintenance/service instructions (Refer to para 4.1).

**C. Manual Use When Damaged Component Is Known.**

- (1) Replace or adjust component in accordance with maintenance/service instructions (Refer to para 4.1).

**1.3 Description Of Model 300 Medical Examination Table.**

**A. General Description (See Figure 1-1).**

The Model 300 Series Medical Examination Table is primarily used in examination rooms for general examinations and minor procedures. The table top is adjustable from a full horizontal position to a chair position. Also, when supported with an optional pelvic lift bar, the lithotomy position can be achieved. There are five storage drawers which accommodate supplies used during examinations.

The major serviceable components of the table are the drawer heater plate (optional) (1, Figure 1-1), heater on/off switch (optional) (2), electrical receptacle (3), back lock assembly (4), lift assembly (5), step assembly (6), and two stirrup assemblies (7).

The Model 300 Series Medical Examination Table is available in six different configurations and are distinguished by the following model numbers:

- 
- Model **300-001** Non-pelvic tilt, drawers on patient's right side.
  - Model **300-002** Non-pelvic tilt, drawers on patient's left side.
  - Model **300-003** Pelvic tilt w/ heater, drawers on patient's right side.
  - Model **300-004** Pelvic tilt w/ heater, drawers on patient's left side.
  - Model **300-005** Perineal cut-out in seat section, drawers on patient's right side.
  - Model **300-006** Perineal cut-out in seat section, drawers on patient's left side.
- 

**B. Theory of Operation (See Figures 5-1 for wiring diagrams / electrical schematics.**

Electrical Power:

115 VAC line voltage is supplied thru the power cord to electrical receptacles located on the side of the table. As long as the power cord is plug into a supply outlet 115 VAC power will be present at the receptacles.

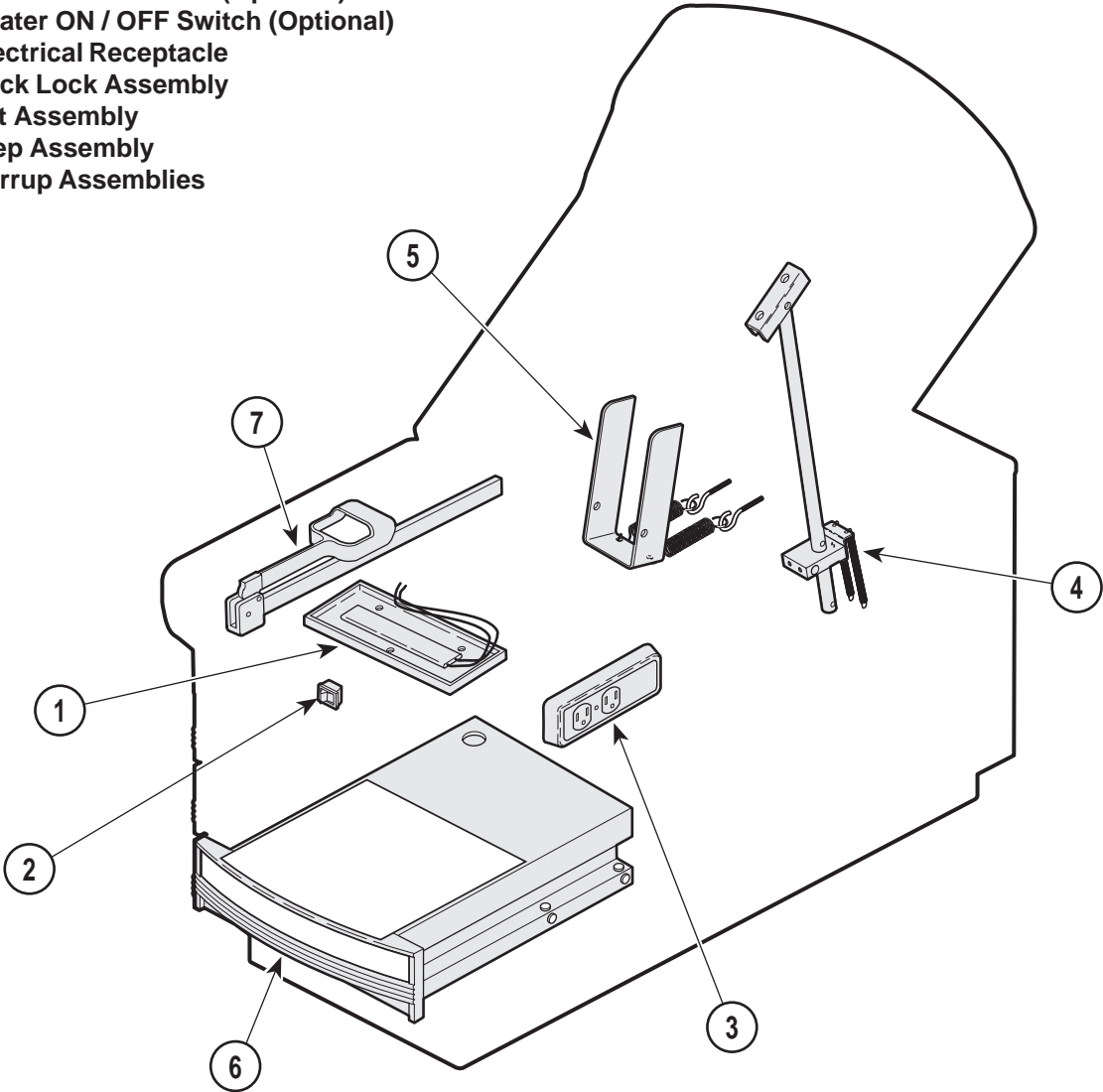
Optional Heater Plate:

Some units are equipped with the optional heater plate for drawer warming. When the operator turns the (N.O.) Heater On/Off Switch to ON, closing the circuit, power is supplied to the 60 watt heater plate, heating the unit. This provides heat in the top, foot end drawer to warm instruments.

**SECTION I  
GENERAL INFORMATION**

**Legend**

- 1. Drawer Heater Plate (Optional)
- 2. Heater ON / OFF Switch (Optional)
- 3. Electrical Receptacle
- 4. Back Lock Assembly
- 5. Lift Assembly
- 6. Step Assembly
- 7. Stirrup Assemblies



MA356100

**Figure 1-1. Major Components**

## 1.4 Standard Torque Specifications

The following standard torque specifications in Table 1-1 apply to the various hardware used on the units unless otherwise listed elsewhere in service procedures or parts illustrations:

Hardware Size	Torque Values
#6 .....	11 to 21 inch / lbs. (1.2 to 2.3 N•M)
#8 .....	20 to 30 inch / lbs. (2.2 to 3.3 N•M)
#10 .....	32 to 42 inch / lbs. (3.6 to 4.8 N•M)
1/4" .....	75 to 85 inch / lbs. (8.5 to 9.6 N•M)
5/16" .....	18 to 22 foot / lbs. (24.4 to 29.8 N•M)
3/8" .....	31 to 35 foot / lbs. (42.0 to 47.5 N•M)
1/2" .....	50 to 60 foot / lbs. (67.8 to 81.4 N•M)

## 1.5 Specifications

Factual data for the 300 Medical Examination Table is provided in Table 1-2. Also, see Figure 1-2.

Description	Data
<b>Weight:</b>	
Without Shipping Carton.....	250 lbs (113.4 kg)
With Shipping Carton.....	300 lbs (136 kg)
Shipping Carton .....	60.5 in."L" x 30 in."W" x 42 in."H" (153.7 cm x 76.2 cm x 106.7 cm)
<b>Dimensions (See Figure 1-2):</b>	
Table Top Length .....	56 in. (142.24 cm)
Table Top Length (footrest extended).	74 in. (188 cm)
Table Top Width .....	27 in. (68.6 cm)
Overall Width .....	27 in. (68.6 cm)
Seat Height (to top of upholstered seat at foot end) .....	32.125 in. (81.6 cm)
<b>Table Adjustment:</b>	
Back Section (manually adjusted) .....	0 to 70° (± 5°)
Weight Capacity (Maximum) .....	325 lb. (147.4 kg)

Electrical Requirements:

115 VAC Unit..... 110 - 120 VAC, 60 HZ,  
12 amp, single phase

Power Consumption: ..... 115 VAC Unit

(126 VAC maximum-110 VAC minimum), 60 HZ, 6 amps (max. without heater) or 6.5 amps (max. with heater) 60 watt heater rating.

Recommended Circuit:

A separate (dedicated) circuit is recommended for this table. The table *should not* be connected to an electrical circuit with other appliances or equipment unless the circuit is rated for the additional load.

## 1.6 Parts Replacement Ordering

If a part replacement is required, order the part directly from the factory as follows:

### NOTE

It is **important** that the **entire Model and Serial Number** be presented when ordering parts, scheduling a service call or seeking technical advice.

- (1) Refer to Figure 1-3 to determine the location of the model number and serial number of the table and record this data.
- (2) Refer to the Parts List to determine the item numbers of the parts, part numbers of the parts, descriptions of the parts, and quantities of parts needed and record this data (Refer to para 6.1).

### NOTE

Ask the Purchasing Department of the company that owns the table for this information. Otherwise, this information may be obtained from the dealer that sold the table.

- (3) Determine the installation date of the table and record this data.
- (4) Call Midmark with the recorded information and ask for the Medical Products Technical Services Department. See back cover of this manual for the phone number or use the Fax Order Form (See page 7-2 for Fax Order Form).

**SECTION I  
GENERAL INFORMATION**

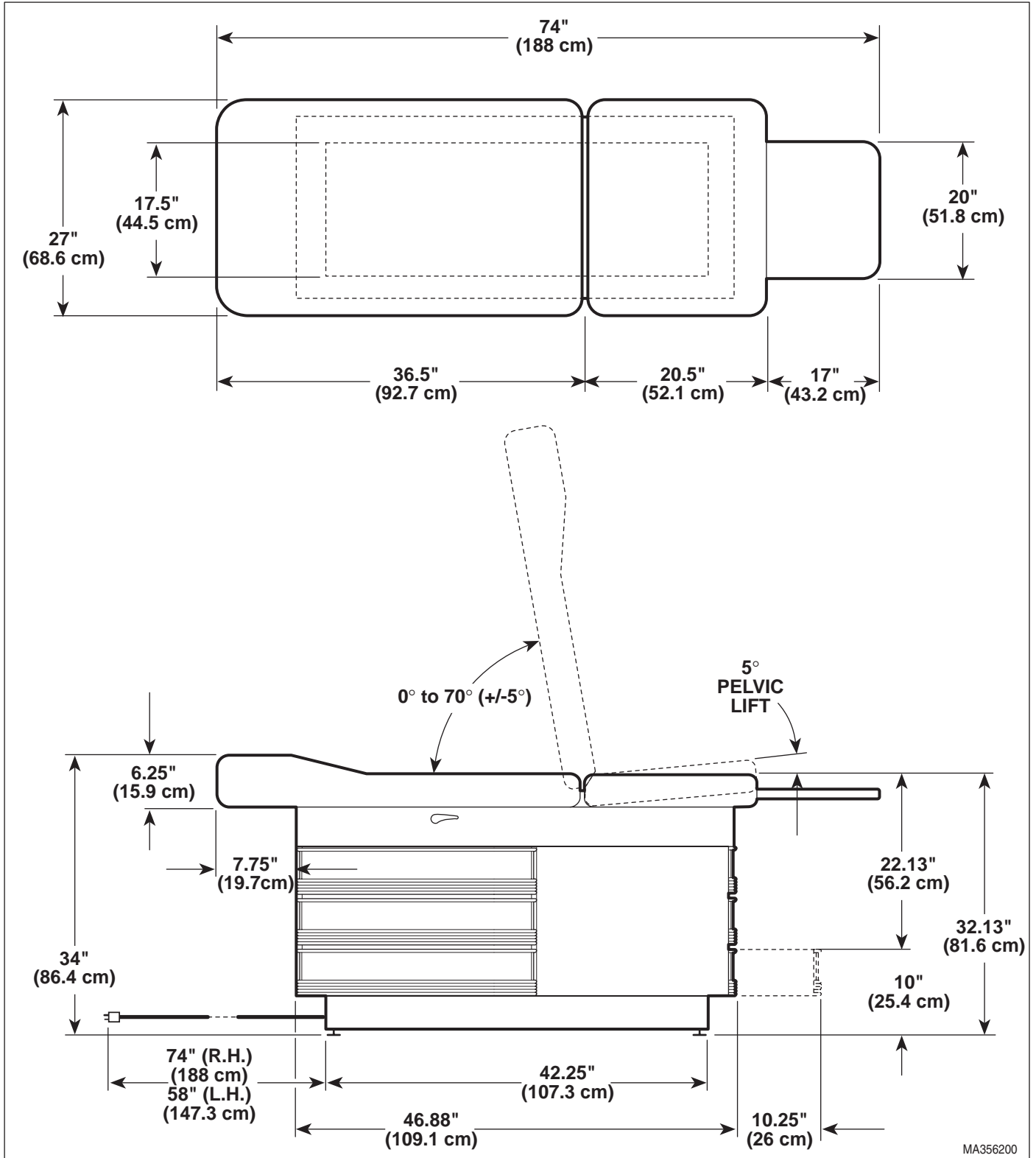
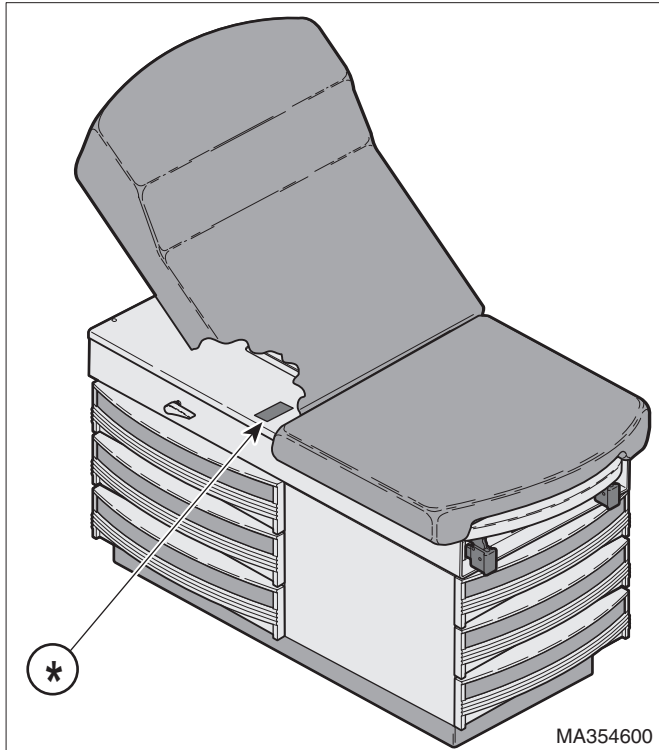


Figure 1-2. Table Dimensions





**Figure 1-3. Model Number / Serial Number Location**

## 1.7 Special Tools

Table 1-3 lists all of the special tools needed to repair the table, how to obtain the special tools, and the purpose of each special tool.

**Table 1-3. Special Tool List**

Description of Special Tool	Manufacturer's Name / Address / Phone	Manufacturer's Part Number	Purpose of Special Tool
Multimeter	Commercially Available	Any Type	Used to perform continuity and voltage checks.
Pop Rivet Gun	Commercially Available	For installation of 1/8 in. pop rivets.	For installation of drawer slides and mullions.
Torque Wrench	Commercially Available	Any Type	Used to tighten nuts or screws to specified values.

**SECTION I  
GENERAL INFORMATION**

**SECTION II  
TESTING AND TROUBLESHOOTING**

**2.1 Operational Test (See Figure 2-1)**

In order to effectively diagnose the malfunction of the table, it may be necessary to perform an operational test as follows:



**WARNING**

Refer to the Operator Manual for complete instructions on operating the table. Failure to do so could result in personal injury.

**NOTE**

The Operational Test, for the most part, only describes what should happen when the table is operated. If the table does something other than described, a problem has been discovered. Refer to the Troubleshooting Guide to determine the cause of the problem and its correction.

- (1) Plug the table into a grounded, non-isolated, correctly polarized outlet, that has the proper voltage output for the table.
- (2) Using a multimeter, check for proper voltage at the table's duplex receptacle.

**Observe.** There should be 110 to 120 VAC present at a 115 VAC unit receptacle.

- (3) If the unit has the optional heater, turn the HEATER ON / OFF switch to ON.

**Observe.** The HEATER ON / OFF switch should illuminate and after a short wait, the heater plate should warm the warming drawer.

Turn the HEATER ON / OFF switch to OFF.

- (4) Pull footrest assembly out all the way.

**Observe.** The footrest assembly should extend easily. The footrest assembly should hit stops at the end of its travel, preventing accidental removal.

- (5) Lift up on the head board assembly stopping at several positions.

**Observe.** The head board assembly should raise smoothly. The back support rod and lock assembly should hold the head board firmly at all positions without slipping. The head board should be able to be raised to 80°.

**NOTE**

The head board should hold firmly with a 200 lb. (90.7 kg) load applied to the head end of the table.

- (6) Apply pressure to the head board to check for drifting. Then press down on one of the back lock handles while pressing down on the head board assembly and lower the head board all the way down.

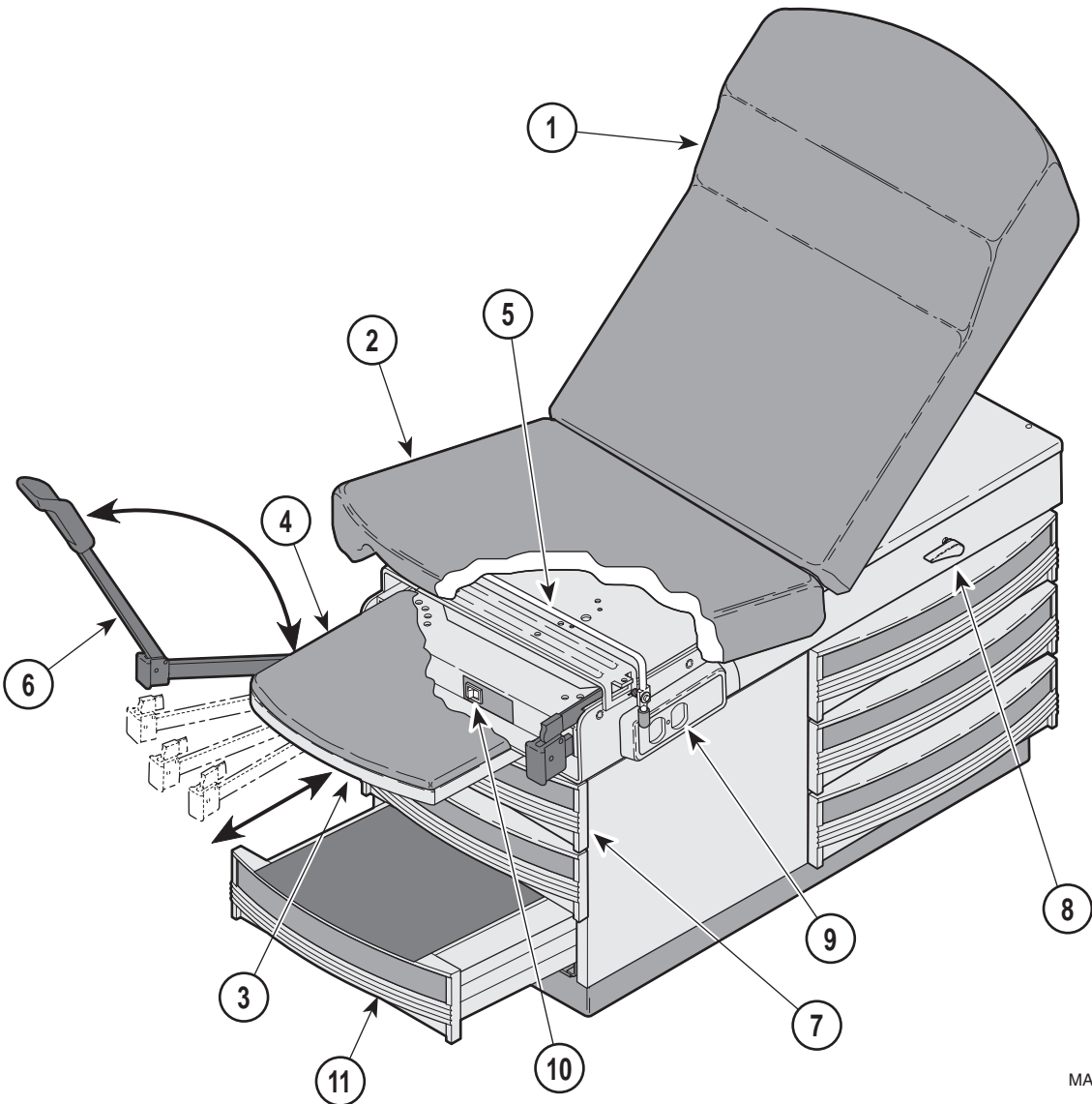
**Observe.** The back lock assembly should not drift when pressure is applied to head board assembly. The back lock rod assembly should retract smoothly without binding. The head board assembly should be able to be lowered to a horizontal position.

- (7) On units with the optional pelvic tilt, lift up on the seat section slightly.

**Observe.** The pelvic lift bar should automatically raise up into its locked position, supporting the seat section in the pelvic lift position (+5° above horizontal).

To lower the seat section to standard position, raise up slightly on seat section; then grasp pelvic lift handle and rotate the pelvic lift bar downward while lowering seat section.

**SECTION II  
TESTING AND TROUBLESHOOTING**



MA359000

**Legend**

- |                               |                             |
|-------------------------------|-----------------------------|
| 1. Head Board (Back) Section. | 7. Warming Drawer.          |
| 2. Seat Section.              | 8. Back Lock Handles.       |
| 3. Footrest Shelf.            | 9. Duplex Receptacle.       |
| 4. Footrest Pad.              | 10. Heater ON / OFF Switch. |
| 5. Pelvic Lift Assembly.      | 11. Step Assembly.          |
| 6. Stirrups.                  |                             |

**Figure 2-1. Operational Test**

## SECTION II TESTING AND TROUBLESHOOTING

- (8) Extend the stirrups; then lift up on end of stirrups and move them laterally from the left to the right. Let the stirrups lock into each of the four positions. While applying downward pressure, attempt to move a stirrup laterally to the left or right.

**Observe.** The stirrups should be able to be extended and moved laterally easily when raised. The stirrups should lock into each of the four positions and should not be able to be moved laterally as long as downward pressure is applied on the stirrup.

- (9) Check operation of each drawer.

**Observe.** The drawers should slide easily. All drawer rollers should move freely in the drawer tracks.

- (10) Check operation of step.

**Observe.** The step should pull out freely and easily. The step should drop into locked position when it is fully extended and should not pull out of the table.

### 2.2 Troubleshooting Procedures

Table 2-1 is a Troubleshooting Guide which is used to determine the cause of the malfunction.

**Table 2-1. Troubleshooting Guide**

Problem	Symptom	Probable Cause	Check	Correction
Drawer warmer is not working. Power is present at the supply outlet.	Heater plate assembly does not warm up when heater ON / OFF switch is turned ON.	Heater ON / OFF switch is malfunctioning.	When heater ON / OFF switch is turned to ON, heater switch should illuminate (this indicates that there is power present at output terminals of switch).	If heater ON / OFF switch does not illuminate when turned ON, replace heater switch. Refer to para 4.7.
		Heater plate assembly is malfunctioning	Replace suspect heater plate assembly with known working heater plate assembly or check for continuity thru heater plate assembly wires.	Replace heater plate assembly. Refer to para 4.8.
		Wire connections are loose.	Check all wiring connections from power heater ON / OFF switch to heater plate assembly. Perform continuity check on wires. Use multimeter to check for proper voltage levels.	Clean any dirty connections. Tighten any loose connections. Replace any damaged connections. Refer to para 5.1.
Duplex receptacle is not working.	Table power cord is plugged into wall outlet and power is present, but there is still no power at duplex receptacle.	Duplex receptacle is malfunctioning.	Replace suspect duplex receptacle with known working duplex receptacle.	Replace duplex receptacle. Refer to para 4.9.
		Wire connections are loose.	Check all wiring connections from power cord to duplex receptacle. Perform continuity check on wires. Use multimeter to check for proper voltage levels.	Clean any dirty connections. Tighten any loose connections. Replace any damaged connections. Refer to para 5.1.

# SECTION II TESTING AND TROUBLESHOOTING

Table 2-1. Troubleshooting Guide

Problem	Symptom	Probable Cause	Check	Correction
Duplex receptacle or optional drawer warmer not working.	No power is available at duplex receptacle and heater ON / OFF switch does not illuminate when pressed.	Power cord is not plugged into facility wall outlet.	Check to see if power cord is plugged in.	Plug power cord into facility wall outlet.
		Facility circuit breaker providing power to table is tripped / blown.	Check to see if facility circuit breaker is tripped / blown. One way of checking this is to plug a lamp into wall outlet that table was plugged into.	If circuit breaker is tripped, determine what caused circuit breaker to trip, correct the problem, and then reset / replace circuit breaker.
		Wire connections are loose.	Check all wiring connections from power cord to duplex receptacle and heater ON / OFF switch. Perform continuity check on wires. Use multimeter to check for proper voltage levels.	Clean any dirty connections. Tighten any loose connections. Replace any damaged connections. Refer to para 5.1.
Head Board Assembly does not operate correctly.	Head Board will not stay in position, drifts down.	Springs on back lock assembly have broken or come loose.	Check condition of the back lock springs.	Replace the springs on the back lock assembly. Refer to para 4.5.
		The hole in the back lock assembly for the back support rod has worn or elongated.	Check the condition of the back lock assembly for excessive wear.	Replace the back lock assembly. Refer to para 4.5.
		The back support rod has worn excessively and will not hold in the back lock assembly.	Check for excessive wear on the back support rod.	Replace the back support rod. Refer to para 4.5.
	Head Board will not descend when back lock handle(s) are depressed.	Back lock springs are disconnected or broken.	Inspect the back lock springs.	Connect and / or replace the back lock springs. Refer to para 4.5.
		Back support rod out of alignment causing the rod to bind in the back lock assembly.	Check the alignment of the back support rod and insure the screws are tight on the back support plate or bracket.	Re-align the back support rod plate or bracket and tighten the mounting screws. Refer to para 4.5.
		Set screws that secure the back lock assembly to the back lock rod are loose or missing.	Check the set screws to insure they are in place and tightened to the back lock rod.	Install and / or tighten the set screws in the back lock assembly. Refer to para 4.5.
		Set screw(s) are loose in the back lock handle(s) prevent handles from rotating back lock rod and back lock assembly.	Check the set screws to insure they are in place and tightened to the back lock rod.	Install and / or tighten the set screws in the back lock handles. Refer to para 4.5.
	Head Board descends rapidly when back lock handles are depressed.	Lift spring(s) are broken or disconnected from the lift lever or the eye bolt(s).	Check the condition of the lift spring(s).	Reconnect or replace the lift springs. Refer to para 4.6.
		Lift spring(s) tension out of adjustment.	Check the position of the wing nuts to insure they are on the eye bolts sufficiently.	Adjust the spring tension on the lift springs. Refer to para 4.6.

## SECTION II TESTING AND TROUBLESHOOTING

**Table 2-1. Troubleshooting Guide**

Problem	Symptom	Probable Cause	Check	Correction
Head Board Assembly does not operate correctly (continued).	Head Board descends rapidly when back lock handles are depressed (continued).	Lift support rod for the lift lever is disconnected.	Check the condition of the lift support rod to insure it is in place.	Repair or replace the lift support rod. Refer to para 4.6.
Step assembly does not function correctly.	Step assembly difficult to pull out.	Nylon stem bumpers worn or missing. Lack of lubrication.	Check the condition of the nylon stem bumpers.	Replace and lubricate the nylon stem bumpers. Refer to para 4.4.
	Step assembly pulls completely out of table when fully extended.	Step stop missing or out of alignment.	Check the condition of the step stop.	Repair or replace the step stop. Refer to para 4.4.
	Step will not lock into position when fully extended.	Lock tabs on bottom rails of step weldment are not bent down far enough.	Check if lock tabs on bottom rails of step weldment are bent down.	Bend the lock tabs down approximately 1/8 inch (0.32 cm) from the bottom of the step weldment rails. Refer to para 4.4.
Drawer(s) do not function correctly.	Drawer(s) difficult to slide in and out of the table.	Drawer(s) not located properly in the cabinet slides.	Check to insure the drawer slide is located properly in the cabinet slide.	Insert the drawer slide properly in the cabinet slide.
		Drawer and / or cabinet slide is damaged.	Check the condition of the slides on the drawer(s) and cabinet.	Replace the cabinet slide(s) and / or drawer assemblies.
		Ball bearings in cabinet slides dry of lubricant or contaminated with foreign debris.	Check the ball bearings and cabinet slides.	Clean, lubricate or replace the cabinet slide(s).
Pelvic tilt does not function correctly.	Pelvic tilt lift bar does not spring to "Up" position when the seat section is lifted.	Pivot points on pelvic lift bar dry of lubricant and / or dirty.	Check the condition of the pivot points on the pelvic lift bar.	Clean and lubricate the pivot points on the pelvic lift bar.
		Springs on the pelvic tilt bar are broken.	Check the condition of the springs on the pelvic tilt bar.	Replace the springs on the pelvic tilt bar.
		Push nuts that retain pelvic lift bar on tabs of upper weldment rubbing on bar.	Check the position of the push nuts in relation to the pelvic lift bar.	Repair or replace the push nuts.
Footrest assembly does not function correctly.	Footrest does not extend or retract smoothly.	The nylo tape in the footrest cabinet guides is missing or dry of lubricant.	Check the condition of the nylo tape.	Lubricate and / or replace the nylo tape in the cabinet guides. Refer to para 4.3.
		The footrest weldment is bent or damaged.	Inspect the footrest weldment to insure it is straight.	Replace the footrest weldment. Refer to para 4.3.
	Footrest pulls all the way out when fully extended.	The "stop" tabs at the back of the footrest weldment are not bent down correctly.	Inspect the footrest weldment to insure the tabs are bent down and that the rubber bumpers are in place on the footrest cabinet guides.	Repair or replace the footrest. Refer to para 4.3.
Stirrups do not work correctly.	Stirrups do not lock into one of four lateral positions.	Stirrups dirty and lacking lubricant.	Inspect the stirrup assemblies for dirt and lack of lubricant.	Clean and lubricate the stirrup assemblies.
		Stirrup locking mechanism is worn or malfunctioning.	Replace suspect stirrup components with known working stirrup components.	Replace stirrup components. Refer to para 4.10.

**SECTION II  
TESTING AND TROUBLESHOOTING**



**SECTION III  
SCHEDULED MAINTENANCE**

**3.1 Scheduled Maintenance**

Table 3-1 is a Scheduled Maintenance Chart which lists the inspections and services that should be performed

periodically on the table. These inspections and services should be performed as often as indicated in the chart.

**Table 3-1. Scheduled Maintenance Chart**

Interval	Inspection or Service	What to Do
Semi-annually	Obvious damage	Visually check condition of table for obvious damage such as: cracks in components, missing components, dents in components, or any other visible damage which would cause table to be unsafe to operate or would compromise its performance. Repair table as necessary.
	Fasteners / hardware	Check table for missing or loose fasteners / hardware. Replace any missing hardware and tighten any loose hardware as necessary.
	Warning and instructional decals	Check for missing or illegible decals. Replace decals as necessary.
	Pivot points / moving parts / accessories	Lubricate all exposed pivot points, moving parts, and accessories with silicone based lubricant.
	Step Assembly	Check step assembly to insure that it slides in and out easily. Insure that the step assembly locks in place when extended. Refer to para 4.4.
	Footrest extension	Check that footrest extension can be easily extended and is not damaged. Refer to para 4.3.
	Stirrup assemblies	Check that stirrup assemblies lock into the four different positions. Check for wear. Replace worn components as necessary. Refer to para 4.14.
	Electrical receptacle	Check that the electrical receptacle is functioning properly. Replace receptacle as necessary. Refer to para 4.9.
	Drawer Heater (Optional)	Where applicable, check to insure the drawer heater is heating sufficiently to warm the top drawer and that the heater ON / OFF switch indicator light illuminates when the switch is in the ON position. If necessary, replace the heater switch or heater plate. Refer to para 4.7 or 4.8.
	Pelvic Tilt (Optional)	Check that the spring loaded pelvic tilt is operating properly. Replace springs if necessary.
	Upholstery	Check all upholstery for rips, tears, or excessive wear. Replace cushions as necessary.
	Accessories	Check that all accessories have all of their components and that they function properly. If necessary, repair or replace the accessory.
Operational Test	Perform an Operational Test to determine if the table is operating within its specifications (Refer to para 2.1). Replace or adjust any malfunctioning components.	



**SECTION IV  
MAINTENANCE / SERVICE INSTRUCTIONS**

**4.1 Introduction**



**WARNING**

Refer to the Operator Manual for complete instructions on operating the table. Failure to do so could result in personal injury.

**NOTE**

Perform an operational test on the table after the repair is completed to confirm the repair was properly made and that *all* malfunctions were repaired.



**WARNING**

Do not use this table in an explosive or oxygen-rich atmosphere. To do so could result in an explosion or fire.

The following paragraphs contain removal, installation, repair, and adjustment procedures for the table.

**4.2 Upholstery Removal / Installation**

A. Removal



**WARNING**

Always disconnect the power cord from the wall outlet before removing any of the table's covers / shrouds or making any repairs to prevent the possibility of electrical shock. Failure to comply with these instructions could result in personal injury or death.

- (1) Unplug the table power cord from the wall outlet.
- (2) For tables without Pelvic Tilt, remove the two screws (1, Figure 4-1) that secure the seat section (2) to the upper wrap cross member (A).
- (3) Remove the two top, side drawers from the cabinet to gain access to the bottom of the back support rod assembly (3).
- (4) Remove the cotter pin (4) from the back support rod assembly (3).

**NOTE**

To prevent the back lock assembly (5) from snapping back against the upper wrap weldment (6) when the back support rod assembly (3) is removed, slightly depress one of the back lock handles (7) while removing the back support rod (3). When the back support rod (3) is clear of the back lock assembly (5) slowly release the handle (7).

- (5) Elevate the head board assembly (8) until the back support rod assembly (3) is clear of the upper wrap cover assembly (9).
- (6) Remove the two screws (10) that secure the back support rod assembly (3) to the head board (8) and remove the back support rod assembly (3). Retain the parts for later installation.

**NOTE**

On some tables the hinge cover (11) may be stapled along the edges. If this is the case, the staples will also have to be removed before removing the hinge cover.

- (7) While supporting the head board assembly (8), remove the five screws (12) and the head board assembly (8) from the top hinge (13).
- (8) Lift up the seat section (2) and remove the two screws (14) that secure the seat section (2) to the top hinge assembly (13) and remove the seat section (2) and the hinge cover (11).
- (9) If replacing the entire top upholstery, remove the four screws (15, Figure 4-1) and top hinge (13) from the upper wrap weldment (6).
- (10) Extend the footrest and remove the upholstered footrest pad (16).





**CAUTION**

Use care when installing the upholstered top assembly as it weighs approximately 60 lbs. (27.2 kg). Failure to use proper lifting techniques or assistance could result in personal injury.

- (3) Place the upholstered top assembly in position on the upper wrap assembly (6) and secure the top hinge (13) with four screws (15).
- (4) For tables without Pelvic Tilt, install the two screws (1) that secure the seat section (2) to the upper wrap cross member (A).

**NOTE**

Do not tighten the two screws (10) that secure the back support rod assembly (3) to the head board assembly (8) at this time. This will allow the back support rod assembly (3) to self-align itself and prevent binding when the back support rod (3) is inserted thru the back lock assembly (5) and the head board (8) is raised and lowered.

- (5) Place the back support rod assembly (3) on the back of the head board assembly (8) at the location of the pre-drilled holes for the bracket screws (10) and loosely install the screws but do not tighten them yet.
- (6) Insert the back support rod (3) into the back lock assembly (5).
- (7) Raise and lower the head board assembly (8) several times until the back support rod (3) is aligned in the back lock assembly (5) and then tighten the two screws (10) on the back support rod assembly (3).
- (8) Insert the cotter pin (4) into the end of the back support rod (3) and bend over the ends of the cotter pin (4).
- (9) Lightly lubricate the back support rod assembly (3) and raise and lower the head board (8) to insure proper operation and clean the unit.
- (10) Install the footrest pad (16) and push the footrest back into the stowed position.
- (11) Plug the table power cord into wall outlet.

**4.3 Footrest Extension Removal / Installation**

**A. Removal**



**WARNING**

Always disconnect the power cord from the wall outlet before removing any of the table's covers / shrouds or making any repairs to prevent the possibility of electrical shock. Failure to comply with these instructions could result in personal injury or death.

- (1) Unplug the table power cord from the wall outlet.
- (2) Pull out on the footrest assembly (1, Figure 4-2) until it is fully extended.
- (3) Remove the upholstered footrest pad (2) and treatment pan (3).

**NOTE**

For tables without Pelvic Tilt, remove the two screws (4) that secure the seat section (5) to the upper wrap cross member (A).

- (4) Raise the seat section (5) and, using a pliers or equivalent, bend up the two metal tabs (6) on the back of the footrest weldment (1) until they are horizontal.
- (5) Pull the footrest weldment (1) out of the upper wrap weldment (7).

**B. Installation**

**NOTE**

Before installing the footrest weldment inspect the footrest runners (B, Figure 4-2) to insure the nylo tape glides (8) are in place at the side and top of each runner. Also, inspect the rubber bumpers (9), located at the back of the footrest runners to insure they are intact.

- (1) Inspect the nylo tape glides (8, Figure 4-2) and rubber bumpers (9) and replace if necessary. Place a light coating of lubricant on the glides.

## SECTION IV MAINTENANCE / SERVICE

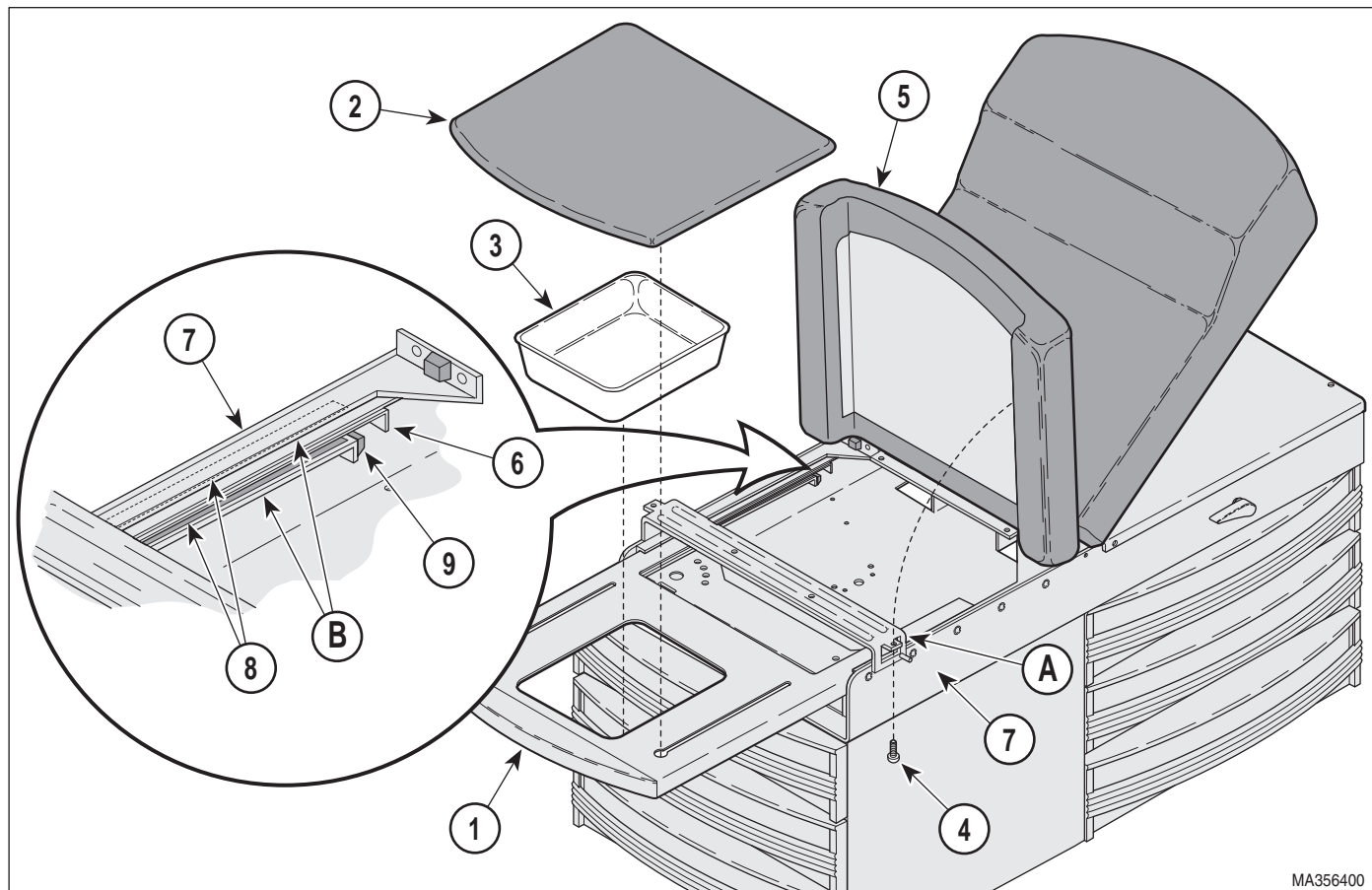


Figure 4-2. Footrest Extension Removal / Installation

- (2) Insert the footrest weldment (1) into the runners (B) of the upper wrap weldment (7) and bend the two tabs (6) downward until vertical.
- (3) Install the treatment pan (3) and upholstered footrest pad (2).
- (4) Plug the table power cord into wall outlet.

### 4.4 Step Assembly Removal / Installation

#### A. Removal



#### WARNING

Always disconnect the power cord from the wall outlet before removing any of the table's covers / shrouds or making any repairs to prevent the possibility of electrical shock. Failure to comply with these instructions could result in personal injury or death.

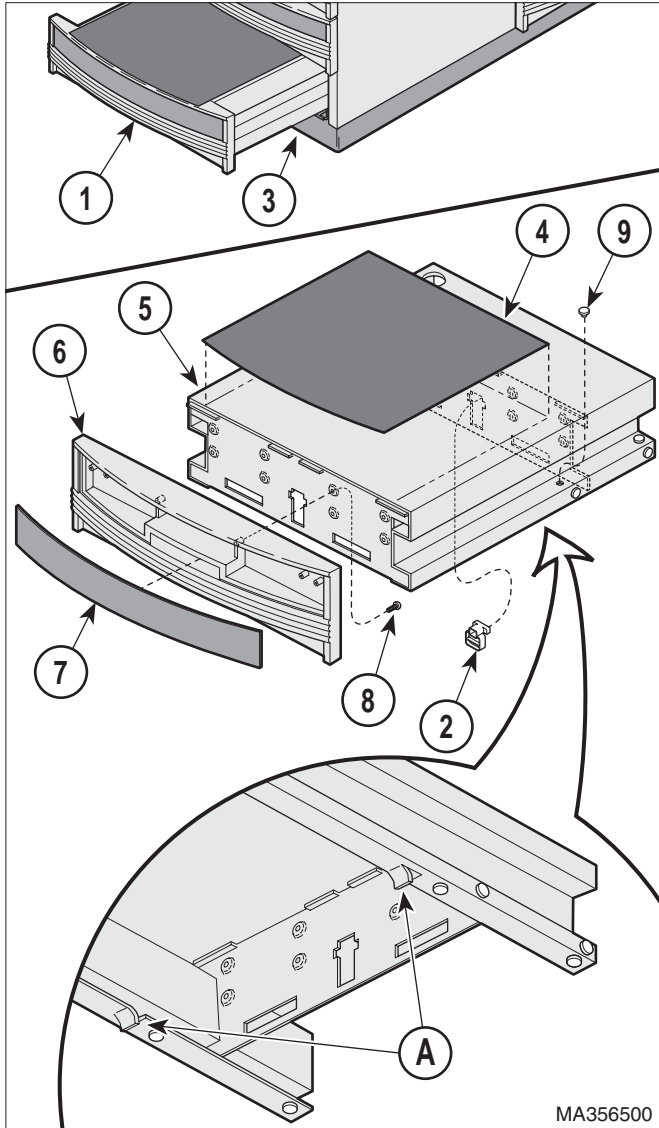
- (1) Unplug the table power cord from the wall outlet.
- (2) Pull out on the step assembly (1, Figure 4-3) until it is fully extended.
- (3) While lightly pulling the step assembly outward, reach beneath it and push the step stop (2) upward until it clears the base weldment (3); then remove the step assembly from the cabinet.

#### B. Drawer Front Replacement

#### NOTE

Should it be necessary to replace the drawer front on the step assembly the step covering must also be replaced as it is adhered to the drawer front.

- (1) Remove the step covering (4, Figure 4-3) from the step assembly (5).



**Figure 4-3. Step Assembly Removal / Installation**

- (2) Reaching up through the opening at the bottom of the drawer front (6), push out on the insert panel (7) and remove it.
- (3) Remove the eight 6-18 x 1/2 inch screws (8) that secure the drawer front (6) to the step weldment (5) and remove the drawer front.
- (4) Clean the surface of the step weldment (5), to which the step covering (4) will be attached, with alcohol or a similar cleanser to insure the adhesive back of the step covering will bond to the surface of the step weldment.

- (5) Install the drawer front (6) to the step weldment (5) and secure with eight 6-18 x 1/2 inch screws (8).

**NOTE**

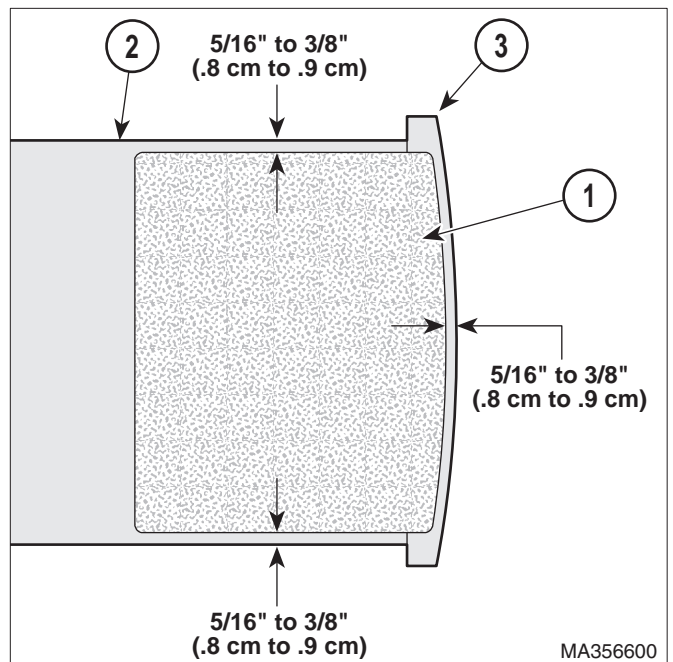
Before removing the protective cover from the adhesive backing of the step cover, lay the cover in place and make some light location marks to insure the step cover is installed uniformly on the step weldment.

- (6) Before installing the step cover (1, Figure 4-4) lay it on the step weldment (2) and make location marks. The step cover (1) should be located so that it is positioned 5/16 inch (0.794 cm) to 3/8 inch (0.953 cm) from the outer edges of the drawer front (3) and step weldment (2).

**NOTE**

Using alcohol or equivalent, clean any residue off the surface of the step before installing the new step cover.

- (7) Remove the protective cover from the step cover (4, Figure 4-3) and place it in position, aligned with the location marks.
- (8) Inspect the nylon stem bumpers (9) on the step weldment (5) and replace if necessary.



**Figure 4-4. Drawer Front Replacement**

## SECTION IV MAINTENANCE / SERVICE

- (9) Inspect the nylon stem bumpers (1, Figure 4-5) and bumper stops (2) on the runners (A) of the base weldment (3) and replace if worn.

### C Installation



#### EQUIPMENT ALERT

Before installing the step assembly into the cabinet check that the lock tabs (A, Figure 4-3) on both sides of the bottom of the step weldment (5) are bent downward approximately 1/8 inch (0.318 cm) but **no farther** than the surface of the nylon stem bumpers (9) next to the tabs. These tabs (A) lock the step assembly in position when it is extended.

- (1) Inspect the lock tabs (A, Figure 4-3) and adjust if necessary.
- (2) Place some lubricant, such as vaseline, on the nylon stem bumpers (9).

#### NOTE

When inserting step assembly into the cabinet the step will have to be lifted slightly to clear the lock tabs at the bottom of the step assembly. It will also be necessary to push up on the step stop (2, Figure 4-3) in order for the stop to clear the base weldment.

- (3) Install the step assembly (1) into the cabinet.

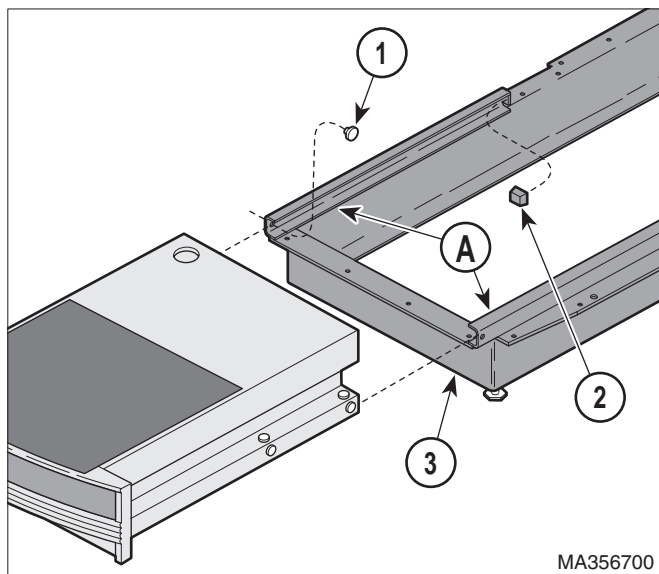


Figure 4-5. Drawer Front Replacement



#### CAUTION

Extend the step assembly outward to insure it locks in place. If necessary readjust the lock tabs (A, Figure 4-3). Failure to insure the step assembly locks in place could cause injury to the users.

- (4) Plug the table power cord into wall outlet.

## 4.5 Back Lock Assembly Removal / Installation

### A. Removal



#### WARNING

Always disconnect the power cord from the wall outlet before removing any of the table's covers / shrouds or making any repairs to prevent the possibility of electrical shock. Failure to comply with these instructions could result in personal injury or death.

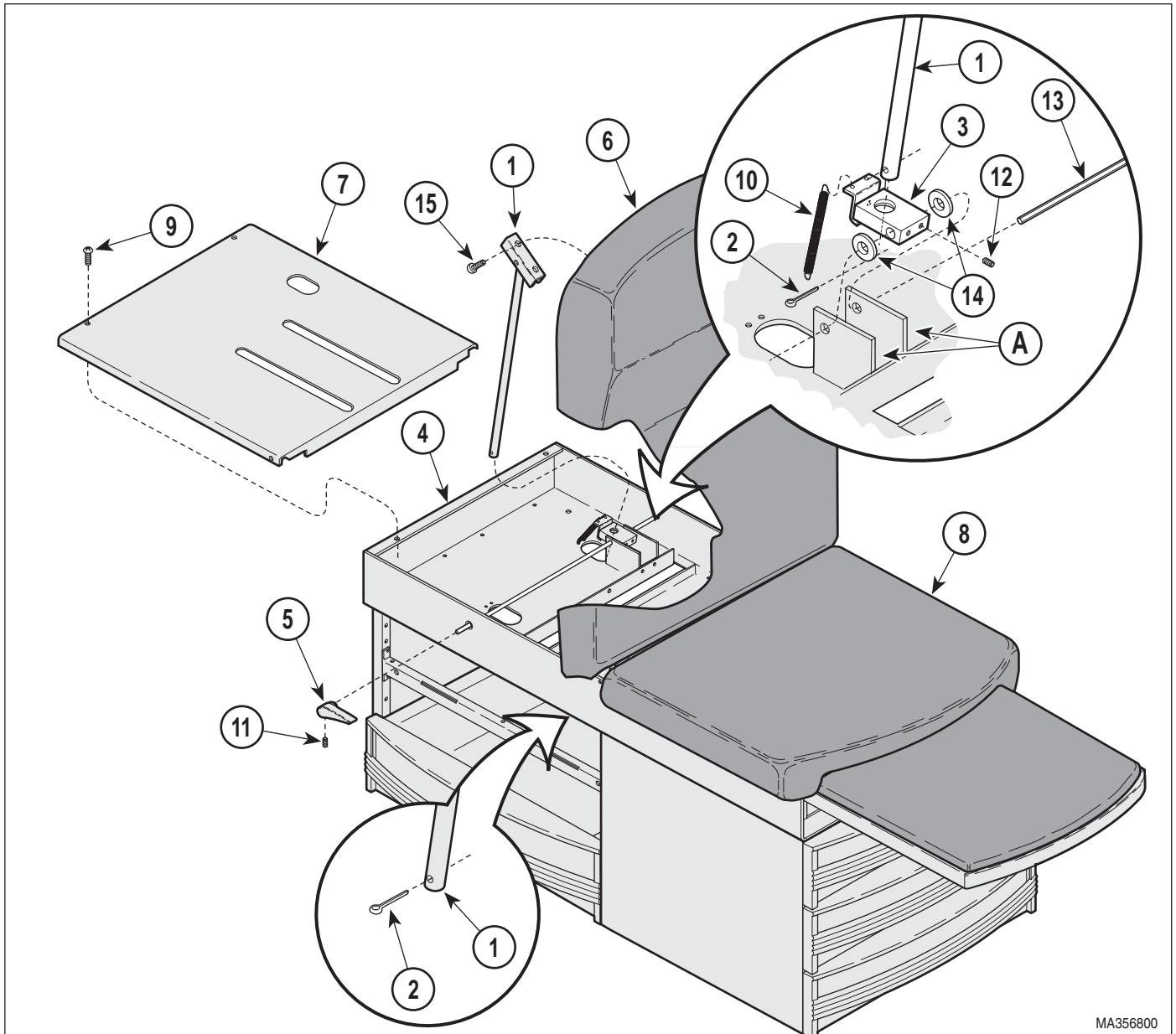
- (1) Unplug the table power cord from the wall outlet.
- (2) Remove the two top drawers from the side of the cabinet to gain access to the bottom of the back support rod (1, Figure 4-6).
- (3) Remove the cotter pin (2) from the back support rod (1).

#### NOTE

To prevent the back lock assembly (3) from snapping back against the upper wrap weldment (4) when the back support rod (1) is removed, slightly depress one of the back lock handles (5) while removing the back support rod (1). When the back support rod (1) is clear of the back lock assembly (3) slowly release the handle (5).

- (4) Elevate the head board assembly (6) until the back support rod (1) is clear of the upper wrap cover assembly (7). Allow the head board (6) to rest against the seat section (8).
- (5) Remove the four screws (9) that secure the upper wrap cover (7) to the upper wrap assembly (4) and remove the upper wrap cover.





MA356800

**Figure 4-6. Back Lock Assembly Removal / Installation**

- |   |  |
|---|--|
| <p>(6) Disconnect the back lock springs (10) from the upper wrap assembly (4).</p> <p>(7) Loosen the set screw (11) and remove the back lock handle (5).</p> <p>(8) Loosen the two 1/4-20 x 3/8 set screws (12) that secure the back lock rod (13) to the back lock assembly (3).</p> | <p>(9) Pull the back lock rod (13) out of the back lock assembly (3), two washers (14) and the bracket (A) of the upper wrap assembly (4).</p> <p>(10) Remove the back lock assembly (3) and two washers (14) from the bracket (A) of the upper wrap assembly (4).</p> |
|---|--|

## SECTION IV MAINTENANCE / SERVICE

### B. Installation

- (1) Insert the back lock rod (13, Figure 4-6) thru the bracket (A) of the upper wrap assembly, two washers (14) and back lock assembly (3).



#### EQUIPMENT ALERT

Do not over-tighten the set screws in the back lock handles to prevent stripping the threads. Torque to 10 to 20 inch / lbs. (1.13 to 2.26 N•M).

- (2) Install the back lock handle (5) onto the back lock rod (13) aligning it with the other back lock handle (5) and tighten the set screw (11) to 10 to 20 inch / lbs. (1.13 to 2.26 N•M).
- (3) Connect the two back lock springs (10) to the upper wrap (4) and compress the spring hooks to secure the springs to the upper wrap assembly.



#### CAUTION

Use care to prevent the head board from falling when inserting the back support rod into the back lock assembly. Failure to do so may cause personal injury.

- (4) Lifting the back lock assembly (3), align the back support rod (1) with the hole in the back lock assembly and insert the rod thru the assembly.
- (5) With the head board (6) in the elevated or chair position, rotate the back lock handles (5) so the pointed end of the handles are facing toward the foot-end of the table and the handles are pointed downward approximately 15° to 20°.



#### EQUIPMENT ALERT

Use care not to overtighten the set screws in the back lock assembly. Tighten the set screws 75 to 80 inch / lbs. (0.533 to 0.604 N•M).

- (6) Tighten one of the set screws (12) on the back lock assembly (3) to secure the back lock assembly to the back lock rod (13).
- (7) Lower the head board (6) to the horizontal position and observe the position of the back lock handles (5). The handles should be parallel with the bottom edge of the head board or pointed slightly downward.

- (8) If necessary, lift the head board, loosen the set screw on the back lock assembly and rotate the handles up or down to adjust their position. Lower the head board and check the positions.
- (9) Raise the head board (6) and tighten both set screws (12) on the back lock assembly to 75 to 80 inch / lbs. (0.533 to 0.604 N•M).
- (10) Raise and lower the head board (6) several times to insure the back support rod (1) moves up and down smoothly without binding.

#### NOTE

If the back support rod (1) binds, loosen the two screws (15) on the back support rod (1). Raise and lower the head board (6) several times until it operates smoothly and retighten the screws on the bracket.

- (11) Raise the head board (6) until the back support rod (1) is free from the back lock assembly (3).
- (12) Supporting the head board (6), install the cover assembly (7) and secure with the four screws (9).
- (13) Rotate the back lock handles (5) to align the hole in the back lock assembly (3) and insert the back support rod (1).
- (14) Insert the cotter pin (2) in the end of the back support rod (1) and bend over the ends of the cotter pin.
- (15) Lightly lubricate the back support rod (1), check operation and install the drawers.
- (16) Plug the table power cord into wall outlet.

### 4.6 Lift Lever Removal / Installation

#### A. Removal

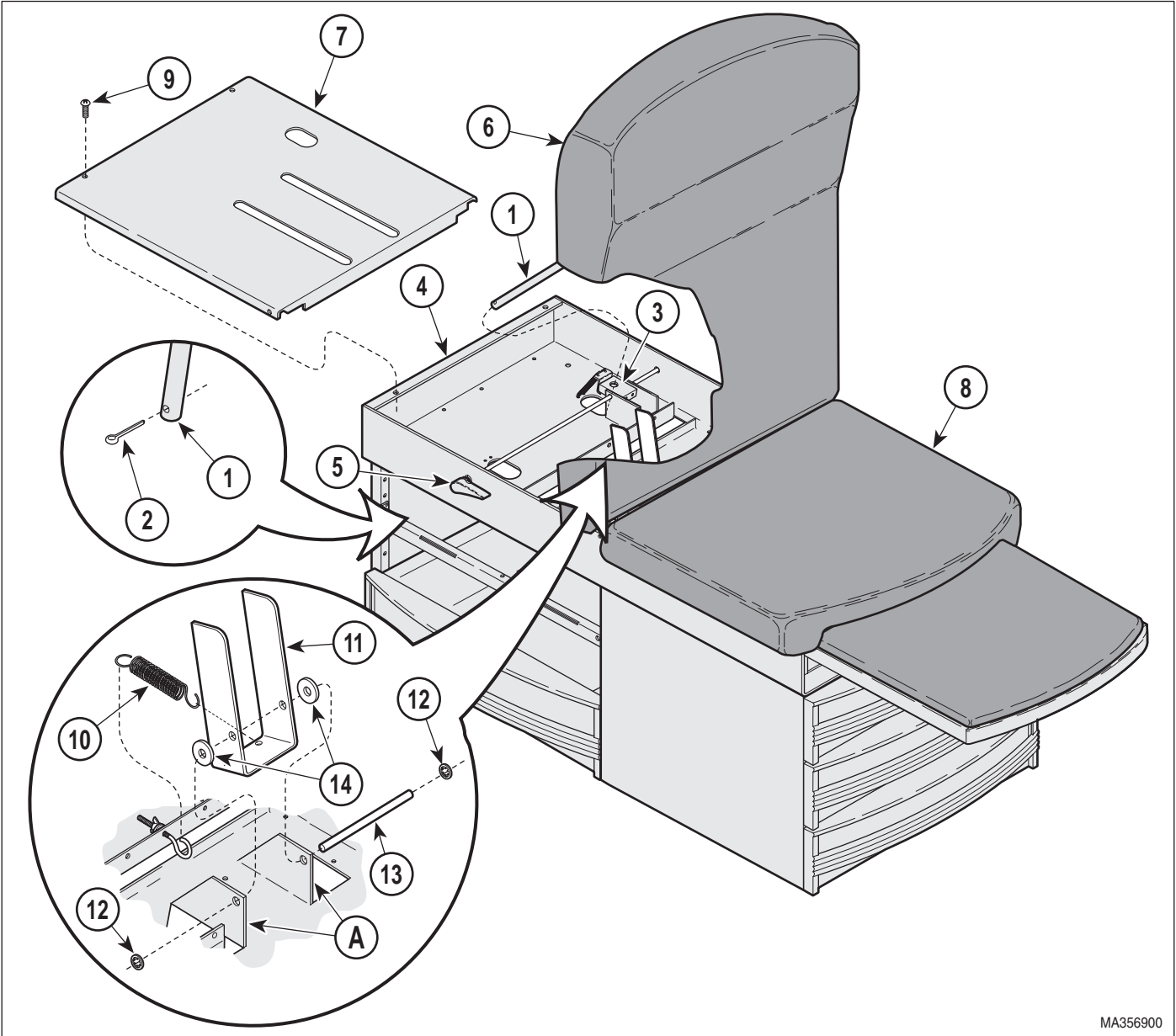


#### WARNING

Always disconnect the power cord from the wall outlet before removing any of the table's covers / shrouds or making any repairs to prevent the possibility of electrical shock. Failure to comply with these instructions could result in personal injury or death.

- (1) Unplug the table power cord from the wall outlet.
- (2) Remove the two top drawers from the side of the cabinet to gain access to the bottom of the back support rod (1, Figure 4-7).
- (3) Remove the cotter pin (2) from the back support rod (1).

**NOTE**  
To prevent the back lock assembly (3) from snapping back against the upper wrap weldment (4) when the back support rod (1) is removed, slightly depress one of the back lock handles (5) while removing the back support rod (1). When the back support rod (1) is clear of the back lock assembly (3) slowly release the handle (5).



**Figure 4-7. Lift Lever Removal / Installation**

## SECTION IV MAINTENANCE / SERVICE

- (4) Elevate the head board assembly (6) until the back support rod (1) is clear of the upper wrap cover assembly (7). Allow the head board (6) to rest against the seat section (8).



### CAUTION

Insure the head board is positioned and secured to prevent it from falling while working on the table. Failure to do so could result in personal injury.

- (5) Remove the four screws (9) that secure the upper wrap cover (7) to the upper wrap assembly (4) and remove the upper wrap cover.
- (6) Disconnect the lift springs (10) from the lift lever (11).
- (7) Remove the push-on retaining ring (12) from one side of the lift support rod (13) and remove the rod (13) and washers (14) from the lift lever (11) and upper wrap assembly (4).

### B. Installation

- (1) Place the lift lever (11, Figure 4-7) and two flat washer (14) in position on the brackets (A) of the upper wrap assembly (4).
- (2) Insert the lift support rod (13) thru the brackets (A) on the upper wrap assembly and lift lever (11).
- (3) Insure the lift support rod (13) is centered in the bracket (A) and install the push-on retaining rings (12).
- (4) Connect the lift springs (10) to the lift lever (11).

### NOTE

The wing nuts (1, Figure 4-8) should be threaded onto the eye bolts (2) approximately 1 inch (2.54 cm).

- (5) Check the position of the wing nuts (1, Figure 4-8) on the eye bolts (2) of the lift assembly.
- (6) Rotate the back lock handles (5, Figure 4-7) to align the hole in the back lock assembly (3) and insert the back support rod (1).

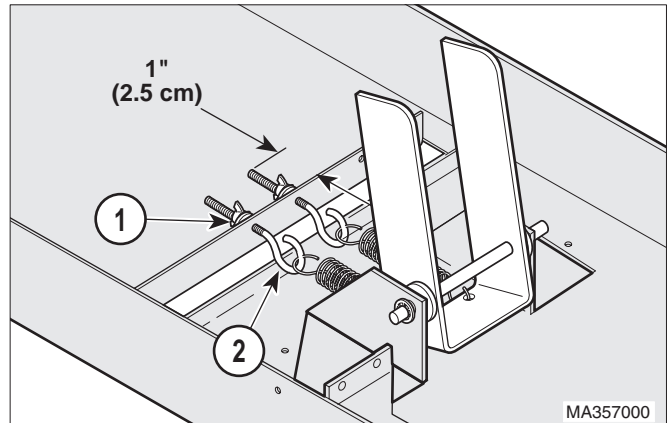


Figure 4-8. Lift Lever Installation

### NOTE

With the head board in the chair position and no weight on the table, the head board should descend 1/2 to 3/4 of the way to the horizontal position when the back lock handles are released.

- (7) Check to insure the head board (6) raises and lowers smoothly. If necessary, adjust the wing nuts (1, Figure 4-8) to adjust the tension on the eye bolts (2).
- (8) Raise the head board (6, Figure 4-7) until the back support rod (1) is free from the back lock assembly (3).
- (9) Supporting the head board (6), install the cover assembly (7) and secure with the four screws (9).
- (10) Rotate the back lock handles (5) to align the hole in the back lock assembly (3) and insert the back support rod (1).
- (11) Insert the cotter pin (2) in the end of the back support rod (1) and bend over the ends of the cotter pin.
- (12) Lightly lubricate the back support rod (1), check operation, and install the drawers.
- (13) Plug table power cord into wall outlet.

## 4.7 Heater ON / OFF Switch Removal / Installation

### A. Removal



#### **WARNING**

Always disconnect the power cord from the wall outlet before removing any of the table's covers / shrouds or making any repairs to prevent the possibility of electrical shock. Failure to comply with these instructions could result in personal injury or death.

- (1) Unplug table power cord from wall outlet.
- (2) Using a standard screwdriver, carefully pry heater switch (1, Figure 4-9) out of upper wrap weldment (2), making sure not to scratch table.
- (3) Tag the wires for later assembly and disconnect the four wires (3) from heater switch (1).

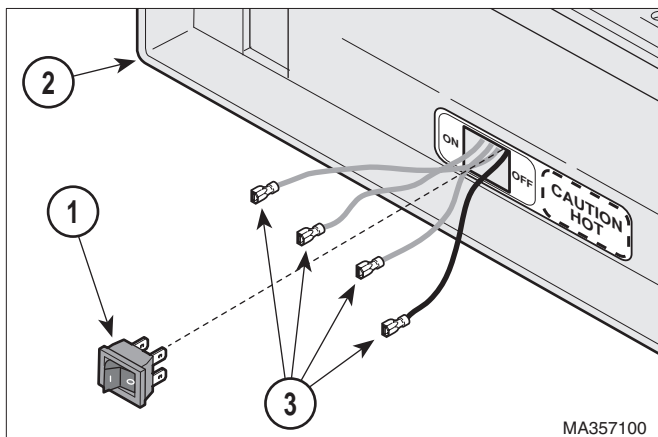
### B. Installation

- (1) Connect four wires (3, Figure 4-9) to heater switch (1) (Refer to the para 5.1).

#### **NOTE**

Insure that the switch ON ( I ) and OFF ( O ) symbols are matched with the proper ON or OFF designation on the decal when installing the switch.

- (2) Push heater switch (1) into upper wrap weldment (2) until heater switch "pops" into place.
- (3) Plug table power cord into wall outlet.



**Figure 4-9. Heater ON / OFF Switch Removal / Installation**

## 4.8 Heater Plate Removal / Installation

### A. Removal



#### **WARNING**

Always disconnect the power cord from the wall outlet before removing any of the table's covers / shrouds or making any repairs to prevent the possibility of electrical shock. Failure to comply with these instructions could result in personal injury or death.

- (1) Unplug table power cord from wall outlet.
- (2) Remove the two drawers from foot end of table.
- (3) Remove the heater ON / OFF switch (Refer to para 4.7).
- (4) Pull the footrest section (1, Figure 4-10) out as far as it will go.

#### **NOTE**

For tables without Pelvic Tilt, remove the two screws (2) that secure the seat section (3) to the upper wrap cross member (A).

- (5) Raise up the seat section (3).
- (6) Remove the four screws (4) and stirrup guide (5) from the upper wrap weldment (6).
- (7) Remove any wrap-n-tap wire clamps (7) securing the heater plate wiring (8) to the upper wrap weldment (6).
- (8) Remove the two screws (9), heater plate (10), and heat shield (11) from bottom side of the upper wrap weldment (6).

### B. Installation

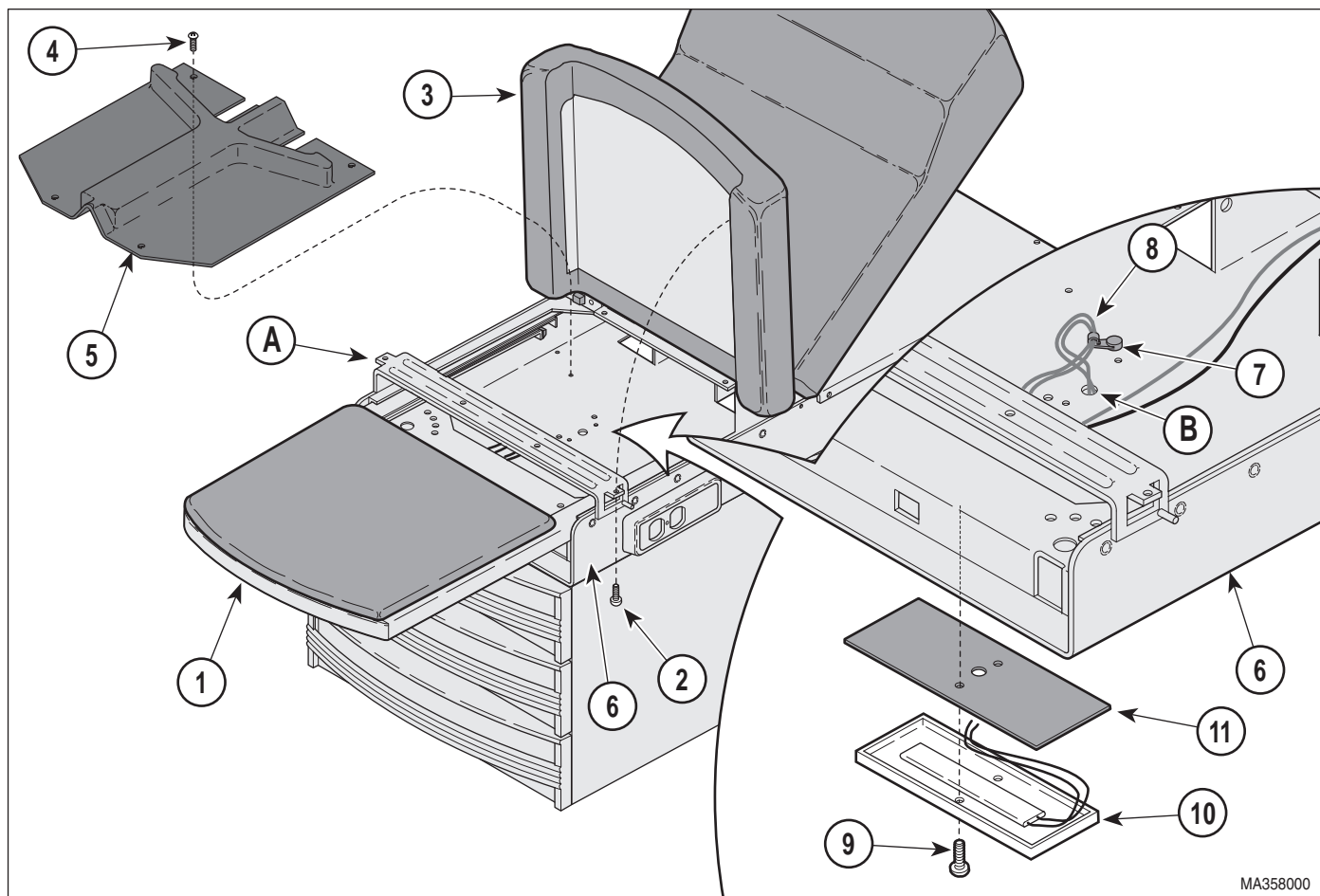
- (1) Route the heater plate wires (8, Figure 4-10) thru the wire hole (B) in the upper wrap weldment (6).



#### **CAUTION**

Insure the heater plate wires are not pinched by the heater plate during installation. Failure to do so could cause personal injury.

## SECTION IV MAINTENANCE / SERVICE



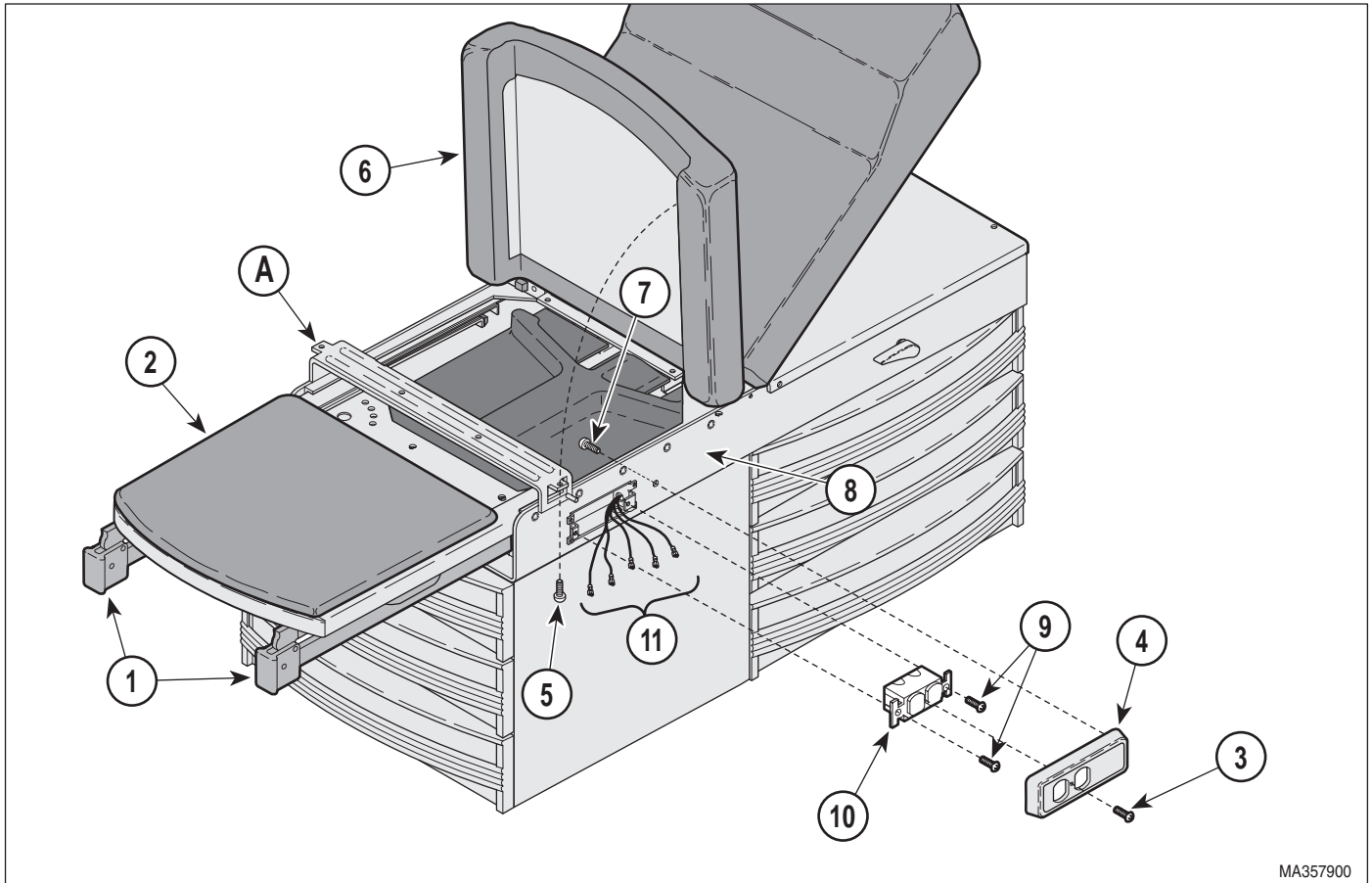
**Figure 4-10. Heater Plate Removal / Installation**

- (2) Install the heat shield (11), and the heater plate (10) on the upper wrap weldment (6) and secure with the two screws (9).
- (3) Install the heater ON / OFF switch (Refer to para 4.7).
- (4) Secure the heater plate wires (8) to the upper wrap weldment (6) with wrap-n-tap clamps (7).
- (5) Install the stirrup guide (5) on the upper wrap weldment (6) and secure with the four screws (4).
- (6) Lower the seat section (3). If necessary, for tables without pelvic tilt, install the two screws (2) to secure the seat section (3) to the upper wrap cross member (A).
- (7) Push the foot rest (1) into its stowed position.
- (8) Install the two drawers in the table.
- (9) Plug the table power cord into wall outlet.

**NOTE**

Plug the table in temporarily, turn ON the heater switch and check to insure the heater plate begins to warm. Unplug the table and continue on with installation procedures.

- (5) Install the stirrup guide (5) on the upper wrap weldment (6) and secure with the four screws (4).



MA357900

**Figure 4-11. Electrical Receptacle Removal / Installation**

## 4.9 Electrical Receptacle Removal / Installation

### A. Removal

#### **WARNING**

**Always disconnect the power cord from the wall outlet before removing any of the table's covers / shrouds or making any repairs to prevent the possibility of electrical shock. Failure to comply with these instructions could result in personal injury or death.**

- (1) Unplug table power cord from wall outlet.
- (2) Extend the stirrups (1, Figure 4-11) out to full extension.
- (3) Extend the footrest (2) out to full extension.

- (4) Remove the screw (3) from the front of the receptacle cover (4).

#### **NOTE**

For tables without Pelvic Tilt, remove the two screws (5) that secure the seat section (6) to the upper wrap cross member (A).

- (5) Raise up the seat section (6).
- (6) Remove the screw (7), from inside the upper wrap assembly (8), that secures the receptacle cover (4) to the upper wrap assembly (8).
- (7) Remove the two screws (9) that secure the duplex receptacle (10) to the upper wrap assembly (8).
- (8) Pull the duplex receptacle (10) out of the cavity in the upper wrap assembly (8).

## SECTION IV MAINTENANCE / SERVICE

### NOTE

Before removing any of the electrical leads from the duplex receptacle place identification tags on them for installation onto the replacement receptacle. If the table has a drawer heater there will be five leads and without the drawer heater there are three leads.

- (9) Tag and disconnect the electrical leads (11) from the duplex receptacle (10) and remove the receptacle.

### B. Installation



### CAUTION

When installing the electrical leads (11, Figure 4-11) on the duplex receptacle (10) insure the insulation on the leads covers sufficiently to prevent electrical shorts to the cabinet. The black leads connect to the side of the receptacle with the black screws and the white leads connect to the side with the silver screws. Insure the ground (green) lead is connected to the ground terminal on the receptacle and to the table. Failure to do so could result in personal injury

- (1) Connect the electrical leads (11, Figure 4-11) to the appropriate terminals on the duplex receptacle (10) (Refer to para 5.1).



### CAUTION

Insure the receptacle is positioned in the cavity of the upper wrap assembly so that none of the electrical terminals or exposed wires are contacting the upper wrap assembly.

- (2) Insert the receptacle (10) into its cavity in the upper wrap assembly (8) and secure with the two screws (9).
- (3) Place the cover (4) on the receptacle (10) and install the screw (3) on the front cover and the screw (7) inside the upper wrap assembly (8).
- (4) Push the footrest (2) and stirrups (1) into their stowed positions.
- (5) Lower the seat section (6). If necessary, for tables without pelvic tilt, install the two screws (5) to secure the seat section (6) to the upper wrap cross member (A).

- (6) Plug the table power cord into wall outlet and check that there is power to the receptacle.

## 4.10 Stirrup Components Removal / Installation

### A. Removal



### WARNING

Always disconnect the power cord from the wall outlet before removing any of the table's covers / shrouds or making any repairs to prevent the possibility of electrical shock. Failure to comply with these instructions could result in personal injury or death.

### NOTE

For tables without Pelvic Tilt, remove the two screws (1, Figure 4-12) that secure the seat section (2) to the upper wrap cross member (A).

- (1) Raise the seat section (2, Figure 4-12) up and support it.
- (2) Pull the foot rest section (3) out to its full extension.
- (3) Pull the stirrup (4) out far enough to access the stop screw (5) and remove the stop screw (5) from the stirrup (4).
- (4) Pull the stirrup (4) out of the pivot boss (6).
- (5) Remove the pivot boss (6) and the stirrup guide bracket (7) from the upper wrap weldment (8).
- (6) If worn, remove the stirrup index spring (9) from the stirrup guide bracket (7).

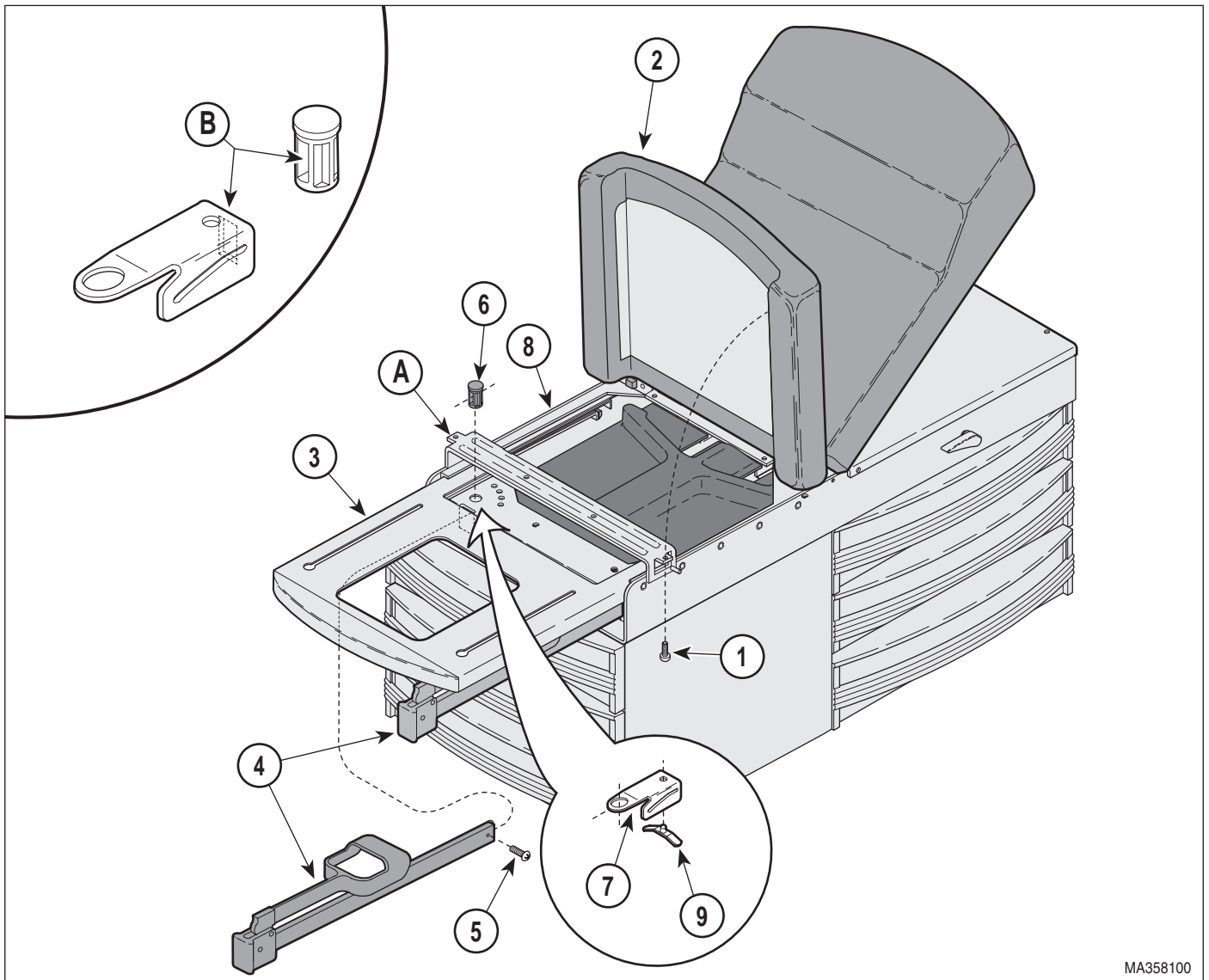
### B. Installation

- (1) If removed, install the stirrup index spring (9, Figure 4-12) on the guide bracket (7).
- (2) Install the guide bracket (7) in the upper wrap weldment (8) and secure with the pivot boss (6).



## SECTION IV MAINTENANCE / SERVICE

- (3) Slide the stirrup (4) thru the slots (B) in the pivot boss (6) and the guide bracket (7).
- (4) Install the stop screw (5) on the stirrup (4).
- (5) Push the footrest section (3) all the way into its stowed position.
- (6) Lower the seat section (2). If necessary, for tables without pelvic tilt, install the two screws (1) to secure the seat section (2) to the upper wrap assembly (8).
- (7) Plug the table power cord into wall outlet.
- (8) Check the stirrups to insure they work smoothly and lock into the various positions.



MA358100

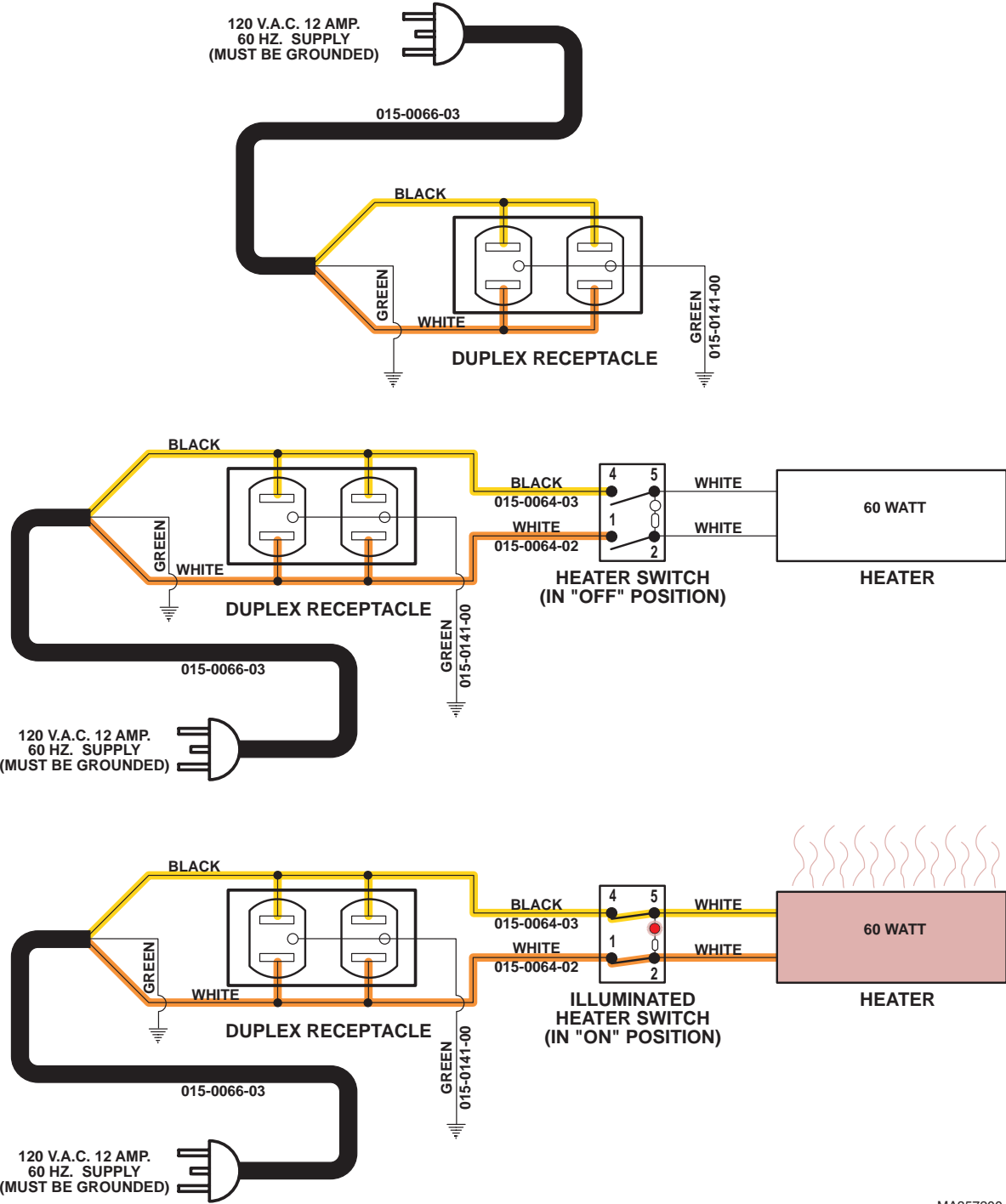
Figure 4-12. Stirrup Components Removal / Installation

**SECTION IV  
MAINTENANCE / SERVICE**

**SECTION V  
SCHEMATICS AND DIAGRAMS**

**5.1 Electrical Schematics / Wiring Diagrams**

Figure 5-1 illustrates the current flow and wiring connections between the electrical components in the 115 VAC table.



MA357200

**Figure 5-1. 115 VAC Units Electrical Schematic / Wiring Diagram**

**SECTION V**  
**SCHEMATICS AND DIAGRAMS**

## **SECTION VI PARTS LIST**

### **6.1 Introduction**

The illustrated parts list provides information for identifying and ordering the parts necessary to maintain the unit in peak operating condition. Refer to paragraph 1.5 for parts ordering information.

The parts list also illustrates disassembly and assembly relationships of parts.

### **6.2 Description of Columns**

The *Item* column of the parts list gives a component its own unique number. The same number is given to the component in the parts illustration. This allows a part number of a component to be found if the technician can visually spot the part on the illustration. The technician simply finds the component in question on the illustration and notes the item number of that component. Then, he finds that item number in the parts list. The row corresponding to the item number gives the technician the part number, a description of the component, and quantity of parts per subassembly. Also, if a part number is known, the location of that component can be determined by looking for the item number of the component on the illustration.

The *Part No.* column lists the MIDMARK part number for that component.

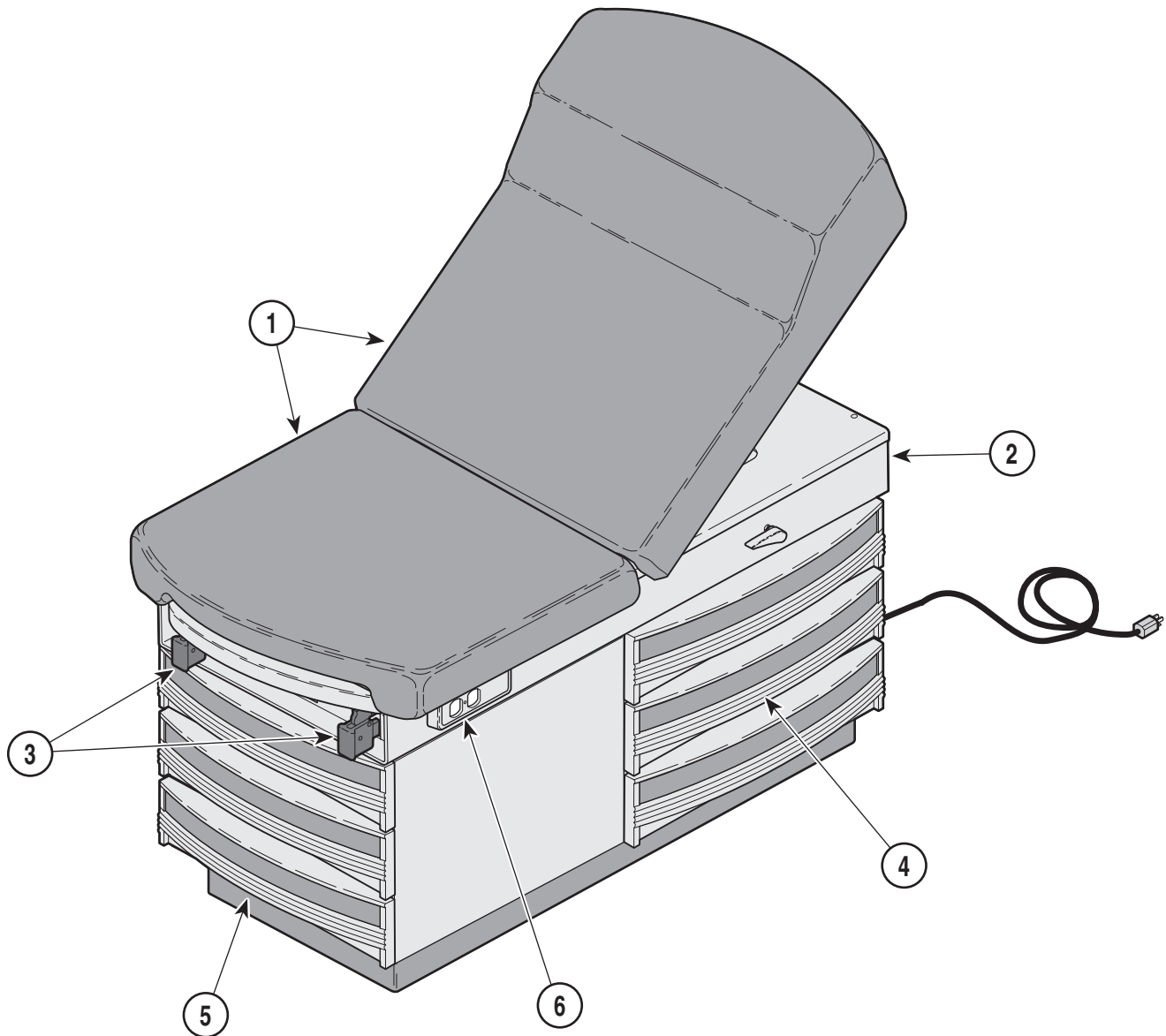
The *Description* column provides a physical description of the component.

The *Qty.* column lists the number of units of a particular component that is required for the subassembly. The letters "AR" denote "as required" when quantities of a particular component cannot be determined, such as: adhesive.

Bullets { • } in the *Part No.* column and the *Description* column show the indenture level of a component. If a component does not have a bullet, it is a main component of that illustration. If a component has a bullet, it is a subcomponent of the next component listed higher in the parts list than itself that does not have a bullet. Likewise, if a component has two bullets, it is a subcomponent of the next component listed higher in the parts list than itself that has only one bullet.

### **6.3 Torque Specifications and Important Assembly Notes**

When specific assembly torque specifications, measurements, or procedures have been identified, by our engineering department, as required to assure proper function of the unit, those torque specifications measurements, and procedures will be noted on the parts illustrations. Adherence to these requirements is essential.

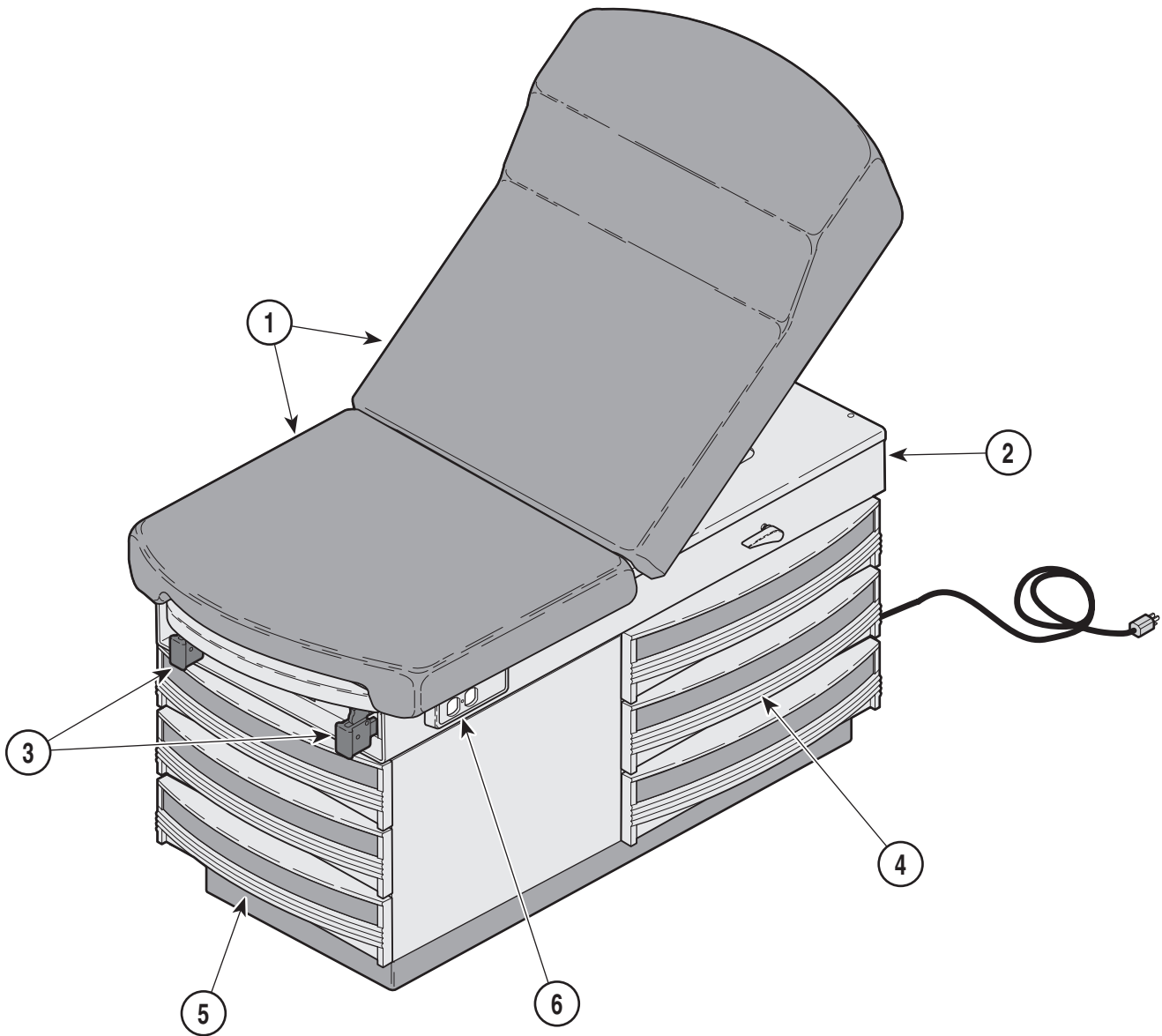


MA342900

**Used on units with Serial Number GE1000 thru Present**  
**Used On Units With Serial Number V2200 thru Present**

Item	Part No.	Description	Qty.	Item	Part No.	Description	Qty.
	300-001	300 Exam Table - R.H. ....	6-2			OPTIONAL ACCESSORIES	
	300-002	300 Exam Table - L.H. (Shown) .....	6-2			Refer to MEDICAL ACCESSORY BOOK {004-0096-00}	
1	•	• Table Top Components .....	6-5	7	9A01010	Knee Crutch Set .....	9A01
2	•	• Upper Wrap Components .....	6-6	8	9A0200*	Armboard Assembly .....	9A02
3	•	• Stirrup Components .....	6-7	9	9A04001	Procto Rest .....	9A04
4	•	• Cabinet Components .....	6-8	10	9A70000	Stainless Steel Treatment Pan .....	6-6
5	•	• Step Assembly .....	6-9	11	9A104001	Urology Drain Pan .....	9A104
6	•	• Electrical Components .....	6-10	12	9A105002	Pelvic Lift Accessory .....	9A105
				13	9A180002	Welch Allyn Bracket .....	9A180
				14	9A20600*	Knee Crutch Set .....	9A206
				15	9A21000*	Side Rails .....	9A210
				16	9A28100*	Welch Allyn Bracket .....	9A281

**Always Specify Model & Serial Number**

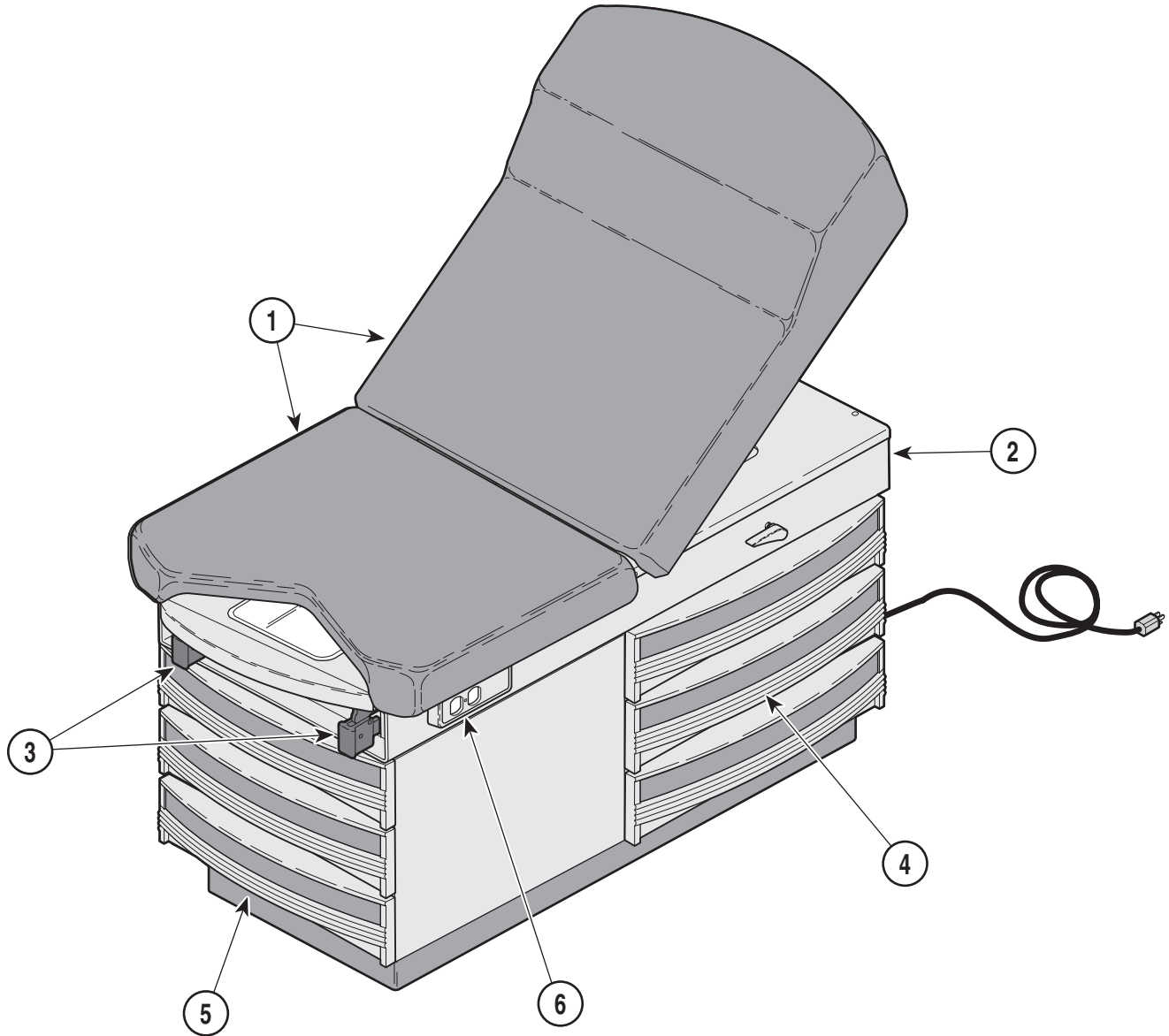


MA342900

**Used on units with Serial Number GF1000 thru Present**  
**Used on units with Serial Number V2200 thru Present**

Item	Part No.	Description	Qty.	Item	Part No.	Description	Qty.
	300-003	300 Exam Table - R.H. (w / Heater & Pelvic Lift) .....	6-3			OPTIONAL ACCESSORIES	
	300-004	300 Exam Table - L.H. (w / Heater & Pelvic Lift {Shown}) .....	6-3			Refer to MEDICAL ACCESSORY BOOK {004-0096-00}	
1	•	• Table Top Components .....	6-5	7	9A01010	Knee Crutch Set .....	9A01
2	•	• Upper Wrap Components .....	6-6	8	9A0200*	Armboard Assembly .....	9A02
3	•	• Stirrup Components .....	6-7	9	9A04001	Procto Rest .....	9A04
4	•	• Cabinet Components .....	6-8	10	9A70000	Stainless Steel Treatment Pan .....	6-6
5	•	• Step Assembly .....	6-9	11	9A104001	Urology Drain Pan .....	9A104
6	•	• Electrical Components .....	6-10	12	9A180002	Welch Allyn Bracket .....	9A180
				13	9A20600*	Knee Crutch Set .....	9A206
				14	9A21000*	Side Rails .....	9A210
				15	9A28100*	Welch Allyn Bracket .....	9A281

**Always Specify Model & Serial Number**



MA343000

**Used on units with Serial Number GH1000 thru Present**  
**Used on units with Serial Number V2200 thru Present**

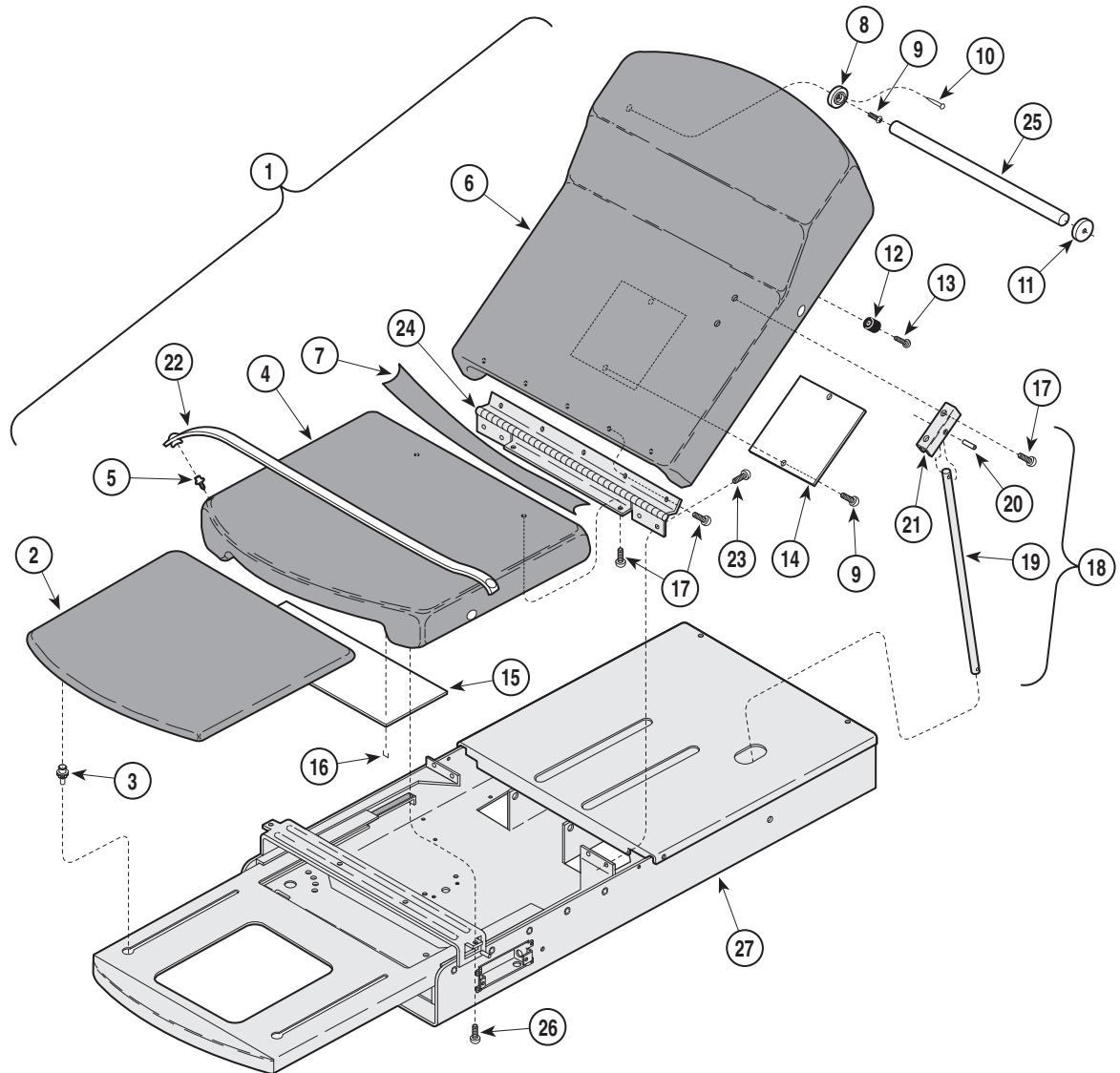
Item	Part No.	Description	Qty.	Item	Part No.	Description	Qty.
	300-005	300 Exam Table - R.H. (w / Perineal Cutout) .....	6-4	OPTIONAL ACCESSORIES Refer to MEDICAL ACCESSORY BOOK {004-0096-00}			
	300-006	300 Exam Table - L.H. (w / Perineal Cutout) .....	6-4				
1	•	• Table Top Components .....	6-5	7	9A01010	Knee Crutch Set .....	9A01
2	•	• Upper Wrap Components .....	6-6	8	9A0200*	Armboard Assembly .....	9A02
3	•	• Stirrup Components .....	6-7	9	9A04001	Procto Rest .....	9A04
4	•	• Cabinet Components .....	6-8	10	9A70000	Stainless Steel Treatment Pan .....	6-6
5	•	• Step Assembly .....	6-9	11	9A104001	Urology Drain Pan .....	9A104
6	•	• Electrical Components .....	6-10	12	9A180002	Welch Allyn Bracket .....	9A180
				13	9A20600*	Knee Crutch Set .....	9A206
				14	9A21000*	Side Rails .....	9A210
				15	9A28100*	Welch Allyn Bracket .....	9A281

**Always Specify Model & Serial Number**



# Table Top Components

## SECTION VI PARTS LIST



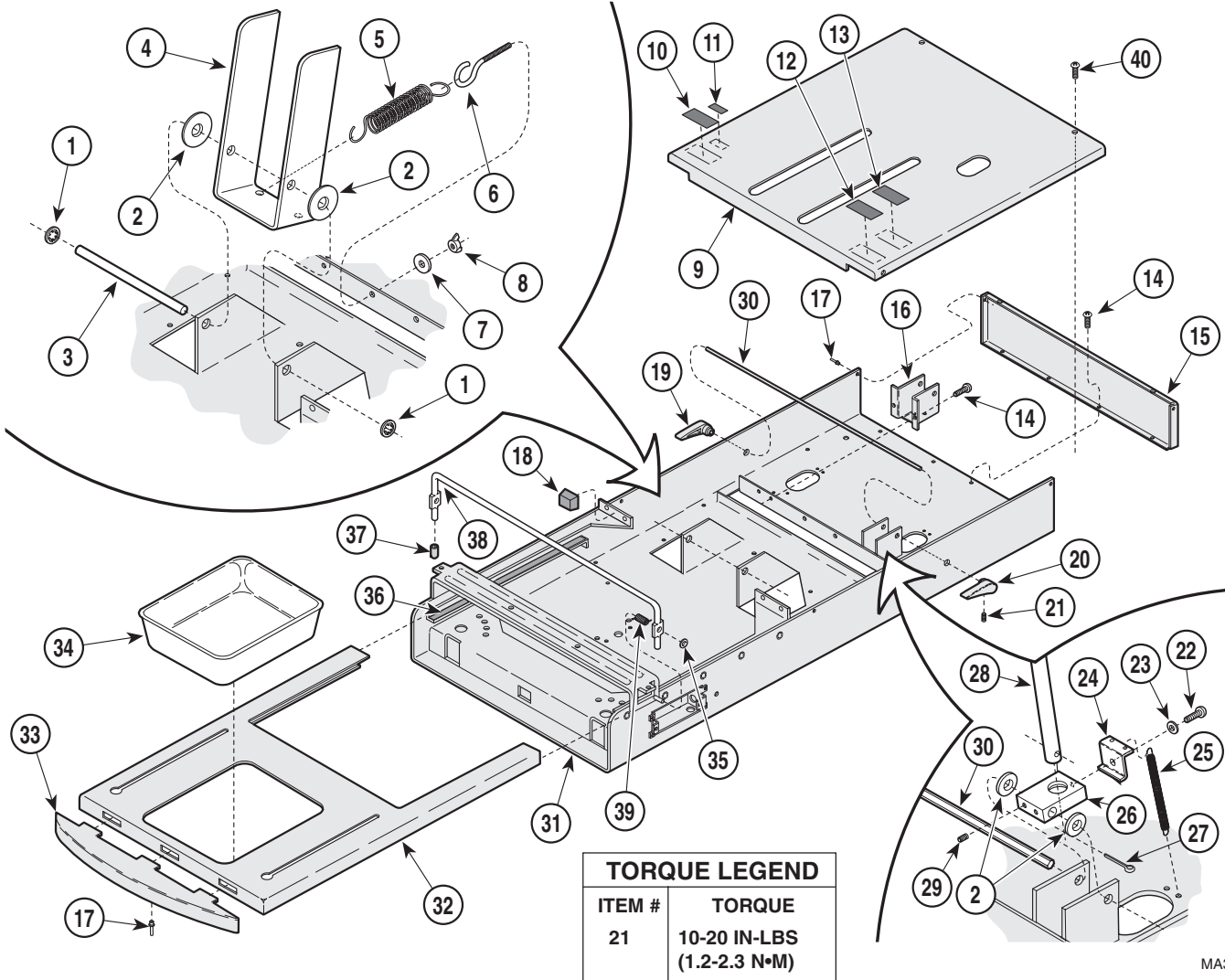
MA342400

Item	Part No.	Description	Qty.	Item	Part No.	Description	Qty.
1	002-0567-00	Standard Upholstery Set (Includes Items 3 thru 16 [Specify Color] {Shown} ..... 1	1	12	• 053-1290-00	• Recess Bumper .....	2
	(N.L.A.)	Perneal Upholstery Set (Includes Items 3 thru 16 [Specify Color] ..... 1	1	13	• 040-0008-95	• Screw .....	2
2	028-0439-00	Upholstered Footrest (Specify Code) .... 1	1	14	• 050-0194-00	• Plate .....	1
3	• 053-0424-00	• Footrest Glide .....	4	15	• 053-0950-00	• Scuff Plate (Units w/ Pelvic Lift Only) ...	1
4	• 028-0441-00	• Upholstered Seat Board - Standard (Specify Code) {Shown} .....	1	16	• 042-0040-00	• Staple (Units w/ Pelvic Lift Only) .....	10
	• 028-0449-00	• Upholstered Seat Board - Perneal (Specify Code) .....	1	17	040-0010-01	Screw .....	9
5	• 016-0022-00	• Stud .....	4	18	029-0151-03	Back Support Rod Assembly (Includes .... Items 19 thru 21) .....	1
6	• 028-0442-00	• Upholstered Head Board (Specify Code) .....	1	19	• 057-0013-00	• Back Support Rod .....	1
7	• 056-0203-00	• Hinge Cover Vinyl (Specify Code) .....	1	20	• 042-0001-01	• Roll Pin .....	1
8	• 053-0043-04	• L. H. Pole Socket .....	1	21	• 050-0556-40	• Rod Support Bracket .....	1
9	• 040-0006-26	• Screw .....	4	22	029-0017-00	Paper Tear Strip .....	2
10	• 042-0605-00	• Wire Nail .....	1	23	040-0010-35	Screw .....	4
11	• 053-0043-03	• R. H. Pole Socket .....	1	24	016-0715-41	Top Hinge .....	1
				25	055-0005-00	Dowel .....	1
				26	040-0010-01	Screw (Units w/o Pelvic Lift Only) .....	2
				27		Upper Wrap (Refer to "Upper Wrap Assembly" Elsewhere) .....	Ref.

N.L.A. Denotes "No Longer Available"  
Always Specify Model & Serial Number

# Upper Wrap Components

## SECTION VI PARTS LIST



TORQUE LEGEND	
ITEM #	TORQUE
21	10-20 IN-LBS (1.2-2.3 N•M)

MA342300

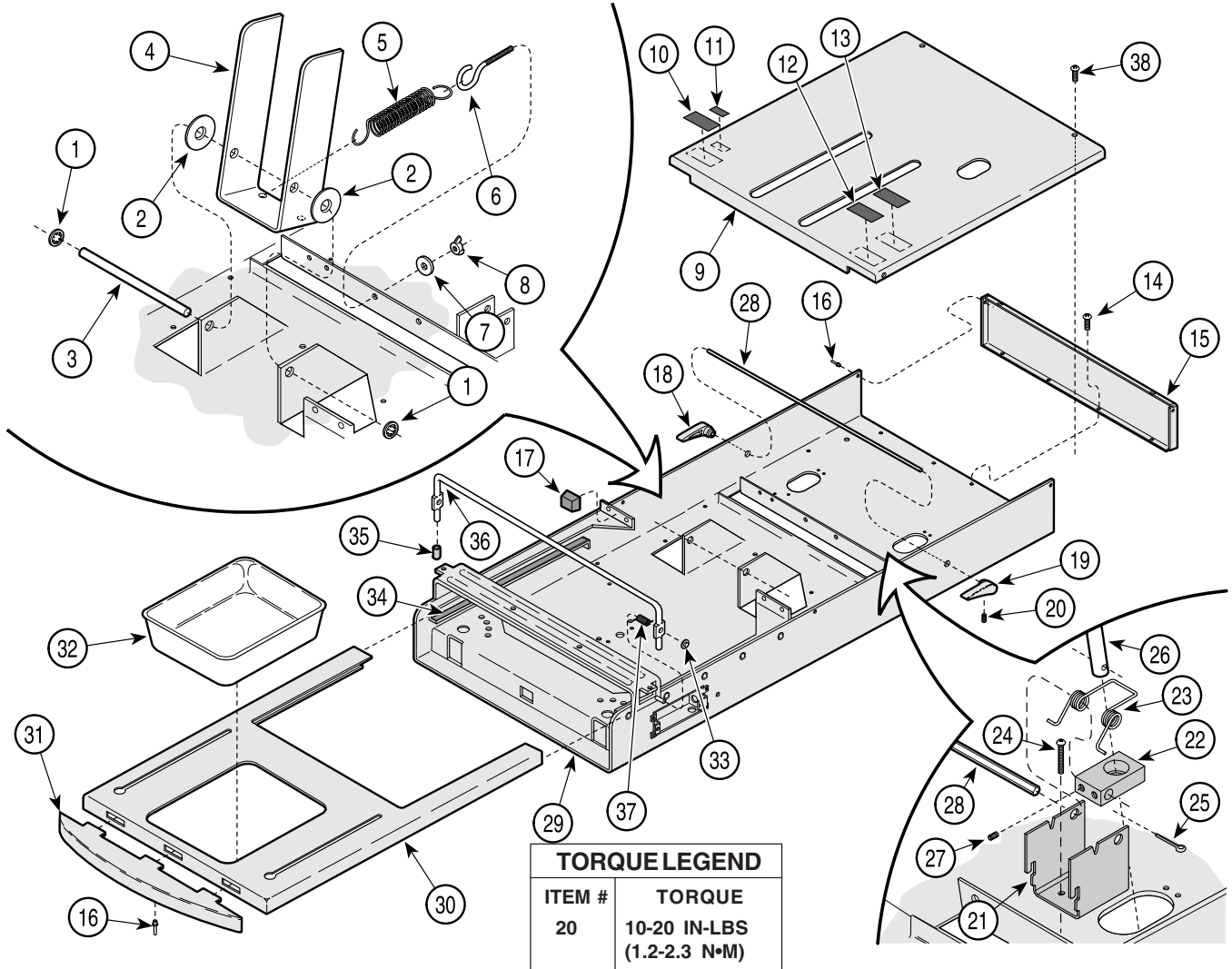
**Used on units with Serial Number GE1000, GF1000, and GH1000  
thru GE2542, GF1063, and GH1117**

Item	Part No.	Description	Qty.	Item	Part No.	Description	Qty.
1	042-0159-00	Push-on Retaining Ring .....	2	23	045-0001-04	Lockwasher .....	1
2	045-0001-01	Washer .....	4	24	050-0101-00	Back Lock Spring Retainer .....	1
3	057-0436-00	Lift Support Rod .....	1	25	025-0008-00	Back Lock Spring .....	2
4	051-0132-40	Lift Lever .....	1	26	051-0002-00	Back Lock .....	1
5	025-0003-00	Lift Spring .....	2	27	042-0003-00	Cotter Pin .....	1
6	016-0008-00	Eye Bolt .....	2	28		Back Support Rod Assembly (Refer to "Table Top Components" Elsewhere) Ref	
7	045-0001-02	Washer .....	2	29	040-0250-00	Set Screw .....	2
8	041-0250-05	Wing Nut .....	2	30	057-0435-40	Back Lock Rod .....	1
9	029-0305-06	Cover Assy. (Right Hand Tables Only) ..	1	31	030-0731-40	Upper Wrap Weldment (Standard) .....	1
	029-0305-07	Cover Assy. (Left Hand Tables Only) ..	1		030-0731-42	Upper Wrap Weldment (Perineal) .....	1
10		Serial Number Label .....	Ref	32	030-1034-40	Foot Rest Weldment .....	1
11	061-0291-00	Patent Number Label .....	1	33	053-0828-00	Foot Rest Trim .....	1
12	061-0620-00	U.L. / C.U.L. Listing Label .....	1	34	053-0220-01	Treatment Pan .....	1
13	061-0506-00	C.S.A. Label (Units w/o Heaters Only) ..	1		9A70000	Stainless Steel Treatment Pan (Optional Accessory) .....	1
14	040-0010-00	Screw .....	12	35	041-0009-00	Push Nut .....	2
15	050-0180-40	End Cap .....	1	36	053-0018-00	Nylo Tape (Listed In Inches) .....	52
16	050-1651-40	Lock Bracket (Left Hand Tables Only) ..	1	37	053-0268-00	End Cap (Units w/ Pelvic Lift Only) .....	2
17	042-0010-03	Pop Rivet .....	4	38	057-0242-40	Pelvic Lift Bar (Units w/ Pelvic Lift Only) ..	1
18	053-0014-00	Self Sticking Bumper .....	4	39	016-0284-01	R.H. Spring(Used on Left Side[Shown]) ..	1
19	053-0844-00	R.H. Back Lock Handle .....	1		016-0284-00	L.H. Spring(Used on Right Side) .....	1
20	053-0844-01	L.H. Back Lock Handle .....	1	40	040-0010-18	Screw .....	4
21	040-0250-148	Set Screw .....	2				
22	040-0010-74	Screw .....	1				

**Always Specify Model & Serial Number**

# Upper Wrap Components

## SECTION VI PARTS LIST



TORQUE LEGEND	
ITEM #	TORQUE
20	10-20 IN-LBS (1.2-2.3 N•M)

MA342301i

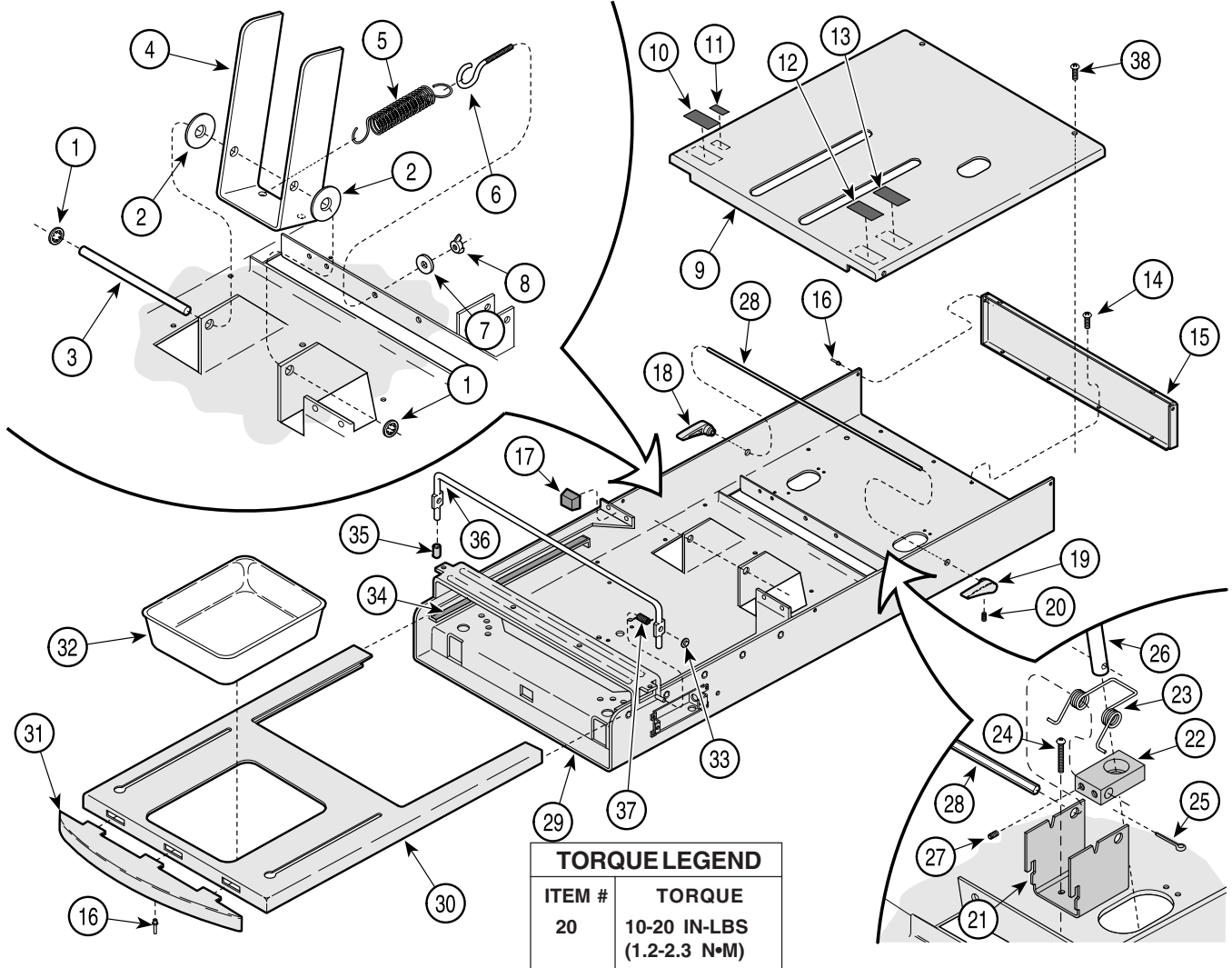
**Used on units with Serial Number GE2543 thru GE3617,  
GF1064 thru GF1205, & GH1118 thru GH1121**

Item	Part No.	Description	Qty.	Item	Part No.	Description	Qty.
1	042-0159-00	Push-on Retaining Ring .....	2	23	025-0008-00	Back Lock Spring .....	2
2	045-0001-01	Washer .....	2	24	057-0435-40	Screw .....	2
3	057-0436-00	Lift Support Rod .....	1	25	042-0003-00	Cotter Pin .....	1
4	051-0132-40	Lift Lever .....	1	26	041-0009-00	Back Support Rod Assembly (Refer to "Table Top Components" Elsewhere) . Ref	
5	025-0003-00	Lift Spring .....	2	27	040-0250-00	Set Screw .....	2
6	016-0008-00	Eye Bolt .....	2	28	057-0435-40	Back Lock Rod .....	1
7	045-0001-02	Washer .....	2	29	030-1286-40	Upper Wrap Weldment (Standard) .....	1
8	041-0250-05	Wing Nut .....	2		030-1286-41	Upper Wrap Weldment (Perineal) .....	1
9	029-0305-06	Cover Assy. (Right Hand Tables Only) .	1	30	030-1034-40	Foot Rest Weldment .....	1
	029-0305-07	Cover Assy. (Left Hand Tables Only) ....	1	31	053-0828-00	Foot Rest Trim .....	1
10		Serial Number Label .....	Ref	32	053-0220-01	Treatment Pan .....	1
11	061-0291-00	Patent Number Label .....	1		9A70000	Stainless Steel Treatment Pan (Optional Accessory) .....	1
12	061-0620-00	U.L. / C.U.L. Listing Label .....	1	33	041-0009-00	Push Nut .....	2
13	061-0506-00	C.S.A. Label (Units w/o Heaters Only) ...	1	34	053-0018-00	Nylo Tape (Listed In Inches) .....	52
14	040-0010-00	Screw .....	14	35	053-0268-00	End Cap (Units w/ Pelvic Lift Only) .....	2
15	050-0180-40	End Cap .....	1	36	057-0242-40	Pelvic Lift Bar (Units w/ Pelvic Lift Only) .	1
16	042-0010-03	Pop Rivet .....	4	37	016-0284-01	R.H. Spring(Used on Left Side[Shown]) .	1
17	053-0014-00	Self Sticking Bumper .....	4		016-0284-00	L.H. Spring(Used on Right Side) .....	1
18	053-0844-00	R.H. Back Lock Handle .....	1	38	040-0010-18	Screw .....	4
19	053-0844-01	L.H. Back Lock Handle .....	1				
20	040-0250-148	Set Screw .....	2				
21	050-0101-00	Back Lock Spring Retainer .....	1				
22	051-0002-00	Back Lock .....	1				

**Always Specify Model & Serial Number**

# Upper Wrap Components

## SECTION VI PARTS LIST



TORQUE LEGEND	
ITEM #	TORQUE
20	10-20 IN-LBS (1.2-2.3 N•M)

MA342301i

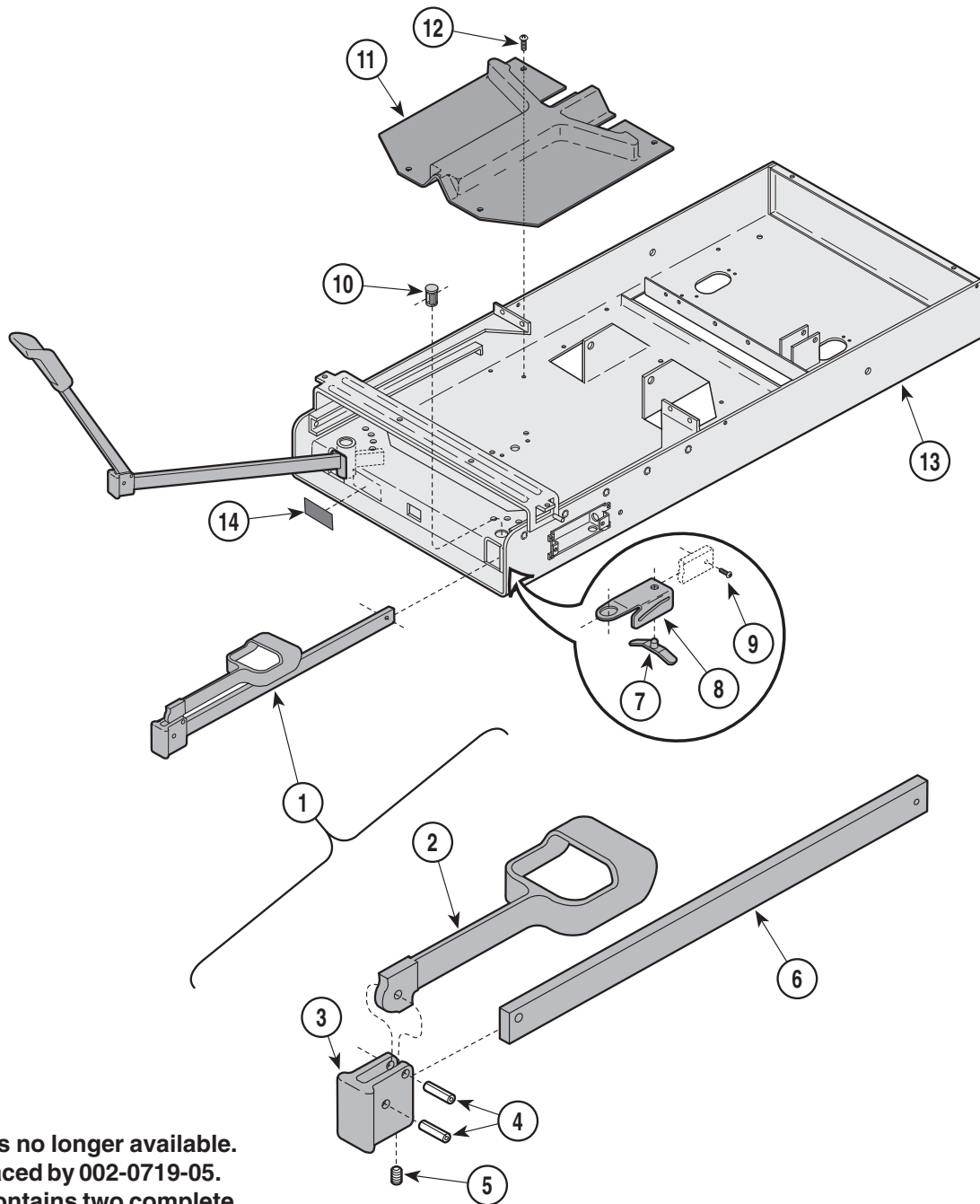
**Used on units with Serial Number GE3618, GF1206, & GH1122 thru Present**  
**Used on units with Serial Number V2200 thru Present**

Item	Part No.	Description	Qty.	Item	Part No.	Description	Qty.
1	042-0159-00	Push-on Retaining Ring .....	2	23	025-0008-00	Back Lock Spring .....	2
2	045-0001-01	Washer .....	2	24		Screw .....	2
3	057-0436-00	Lift Support Rod .....	1	25	042-0003-00	Cotter Pin .....	1
4	051-0132-40	Lift Lever .....	1	26		Back Support Rod Assembly (Refer to "Table Top Components" Elsewhere) .	Ref
5	025-0003-00	Lift Spring .....	2	27	040-0250-00	Set Screw .....	2
6	016-0008-00	Eye Bolt .....	2	28	057-0435-40	Back Lock Rod .....	1
7	045-0001-02	Washer .....	2	29	030-1498-40	Upper Wrap Weldment (Standard) .....	1
8	041-0250-05	Wing Nut .....	2		030-1498-41	Upper Wrap Weldment (Perineal) .....	1
9	029-0305-06	Cover Assy. (Right Hand Tables Only) .	1	30	030-1034-40	Foot Rest Weldment .....	1
	029-0305-07	Cover Assy. (Left Hand Tables Only) ....	1	31	053-0828-00	Foot Rest Trim .....	1
10		Serial Number Label .....	Ref	32	053-0220-01	Treatment Pan .....	1
11	061-0291-00	Patent Number Label .....	1		9A70000	Stainless Steel Treatment Pan (Optional Accessory) .....	1
12	061-0620-00	U.L. / C.U.L. Listing Label .....	1	33	041-0009-00	Push Nut .....	2
13	061-0506-00	C.S.A. Label (Units w/o Heaters Only) ...	1	34	053-0018-00	Nylo Tape (Listed In Inches) .....	52
14	040-0010-00	Screw .....	14	35	053-0268-00	End Cap (Units w/ Pelvic Lift Only) .....	2
15	050-0180-40	End Cap .....	1	36	057-0242-40	Pelvic Lift Bar (Units w/ Pelvic Lift Only) .	1
16	042-0010-03	Pop Rivet .....	4	37	016-0284-01	R.H. Spring(Used on Left Side[Shown]) .	1
17	053-0014-00	Self Sticking Bumper .....	4		016-0284-00	L.H. Spring(Used on Right Side) .....	1
18	053-0844-00	R.H. Back Lock Handle .....	1	38	040-0010-18	Screw .....	4
19	053-0844-01	L.H. Back Lock Handle .....	1				
20	040-0250-148	Set Screw .....	2				
21	050-0101-00	Back Lock Spring Retainer .....	1				
22	051-0002-00	Back Lock .....	1				

Always Specify Model & Serial Number

# Stirrup Components

## SECTION VI PARTS LIST



**This assembly is no longer available.  
It has been replaced by 002-0719-05.  
Note: This kit contains two complete  
stirrup assemblies.**

MA342500

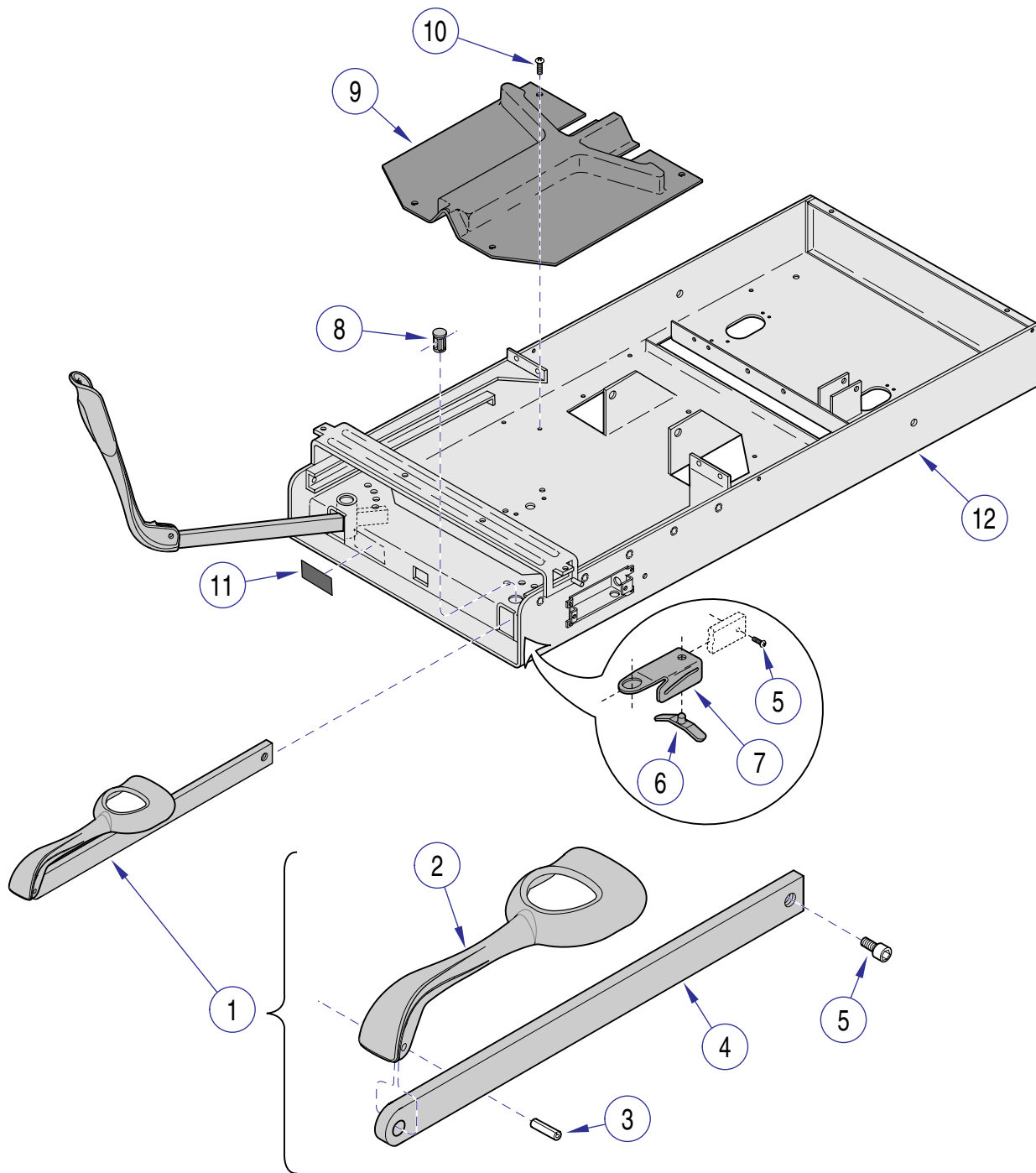
**Used on units with Serial Number GE1000 thru GE3288,  
GF1000 thru GF1106 and GH1000 thru GH1116**

Item	Part No.	Description	Qty.	Item	Part No.	Description	Qty.
1	029-1397-02	Stirrup Assembly (Includes Items 2 thru 6)	2	8	050-1785-02	Stirrup Guide Bracket	2
2	• 020-0181-30	• Painted Stirrup	1	9	040-0010-47	Screw	2
3	• 020-0182-30	• Pivot Block	1	10	053-0387-00	Pivot Boss	2
4	• 042-0001-00	• Roll Pin	2	11	053-0380-00	Stirrup Guide	1
5	• 040-0250-15	• Set Screw	1	12	040-0010-00	Screw	4
6	• 051-0668-03	• Horizontal Bar	1	13		Upper Wrap (Refer to "Upper Wrap Assembly" Elsewhere)	Ref
7	016-0400-00	Stirrup Index Spring (Apply Lubricant #S006-00719)	2	14	061-0296-00	Stirrup Label	1

**Always Specify Model & Serial Number**

# Stirrup Components

## SECTION VI PARTS LIST



MA605600i

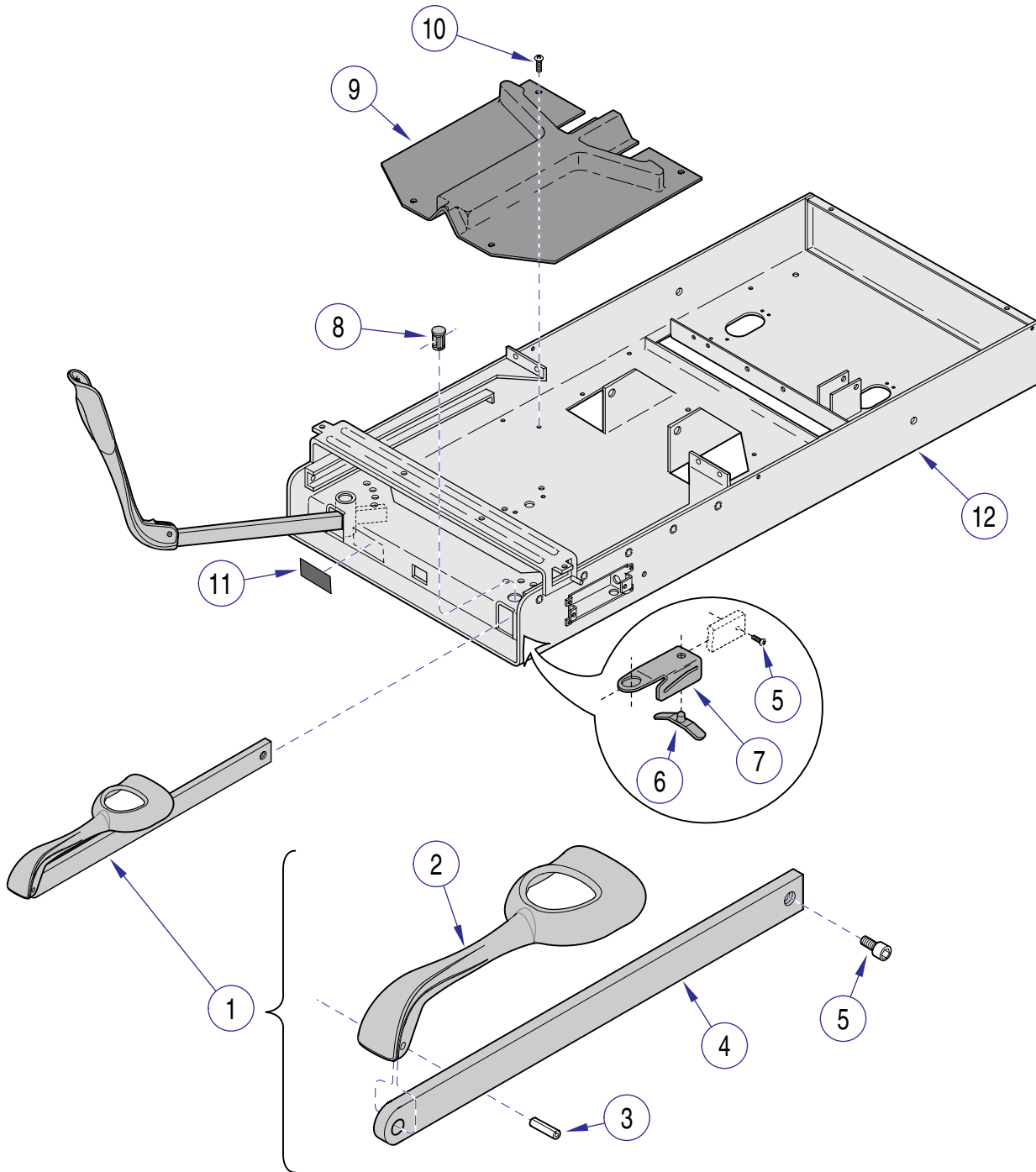
**Used on units with Serial Number GE3289 thru GE3617,  
GF1107 thru GF1205, GH1117 thru GH1122**

Item	Part No.	Description	Qty.	Item	Part No.	Description	Qty.
1	029-2951-03	Stirrup Assembly (Includes Items 2 thru 4) .....	2	7	050-5525-00	Stirrup Guide Bracket .....	2
2	• 020-0239-30	• Stirrup .....	1	8	053-0387-00	Pivot Boss .....	2
3	• 042-0001-00	• Roll Pin .....	1	9	053-0380-00	Stirrup Guide .....	1
4	• 051-1003-01	• Stirrup Bar .....	1	10	040-0010-00	Screw .....	4
5	040-0010-47	Stirrup Index Spring (Apply Lubricant #S006-00719) .....	2	11		Upper Wrap (Refer to "Upper Wrap Assembly" Elsewhere) .....	Ref
6	016-0400-00			12	061-0296-00	Stirrup Label .....	1

**Always Specify Model & Serial Number**

# Stirrup Components

## SECTION VI PARTS LIST



MA6056001

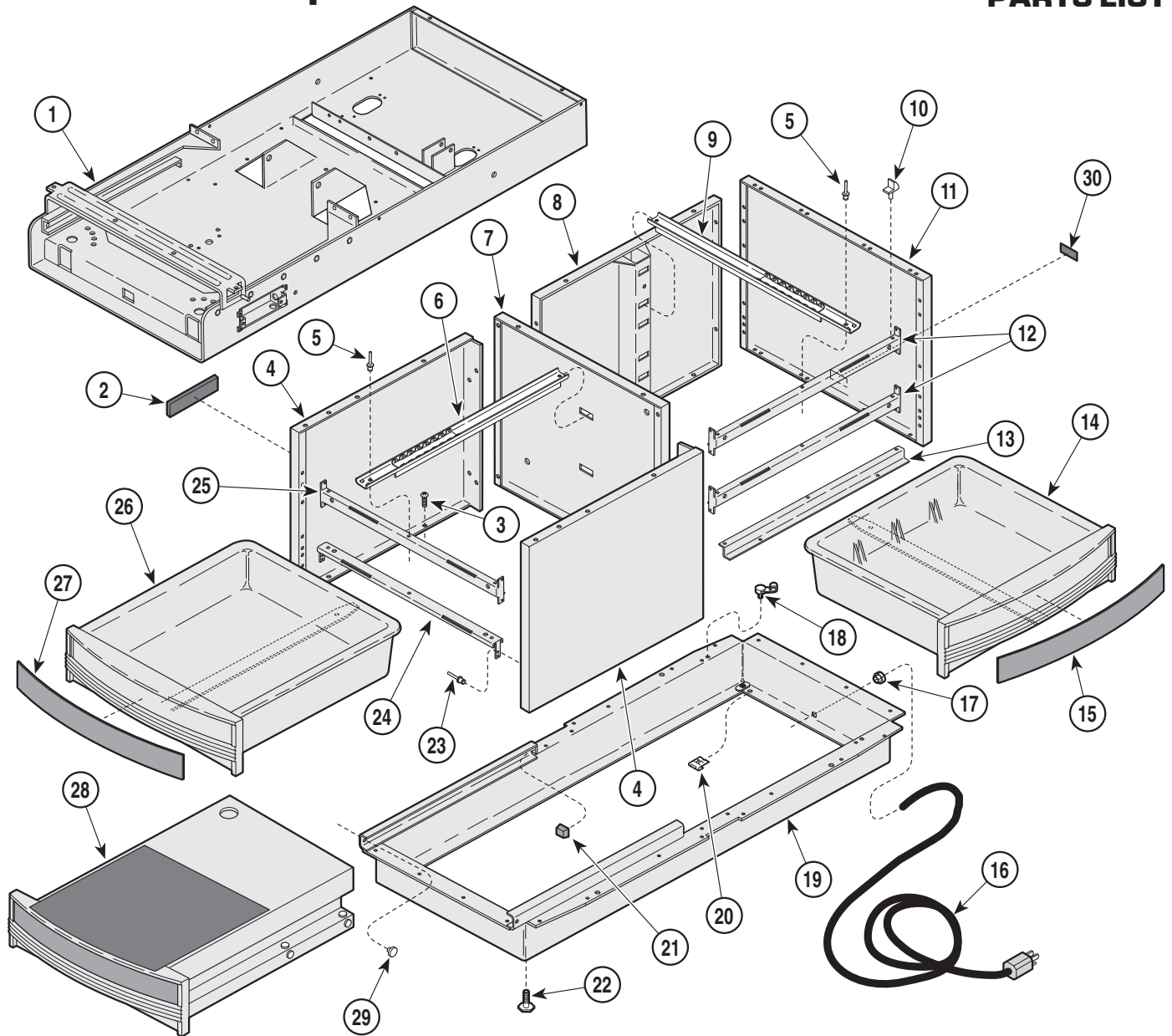
**Used on units with Serial Number GE3618, GF1206, & GH1122 thru Present**  
**Used on units with Serial Number V2200 thru Present**

Item	Part No.	Description	Qty.	Item	Part No.	Description	Qty.
1	029-2951-03	Stirrup Assembly (Includes Items 2 thru 4)	2	7	050-5525-00	Stirrup Guide Bracket	2
2	• 020-0239-30	• Stirrup	1	8	053-0387-00	Pivot Boss	2
3	• 042-0001-00	• Roll Pin	1	9	053-1391-00	Stirrup Guide	1
4	• 051-1003-01	• Stirrup Bar	1	10	040-0010-00	Screw	4
5	040-0010-47	Screw	2	11		Upper Wrap (Refer to "Upper Wrap Assembly" Elsewhere)	Ref
6	016-0400-00	Stirrup Index Spring (Apply Lubricant #S006-00719)	2	12	061-0296-00	Stirrup Label	1

**Always Specify Model & Serial Number**

# Cabinet Components

## SECTION VI PARTS LIST



MA342700

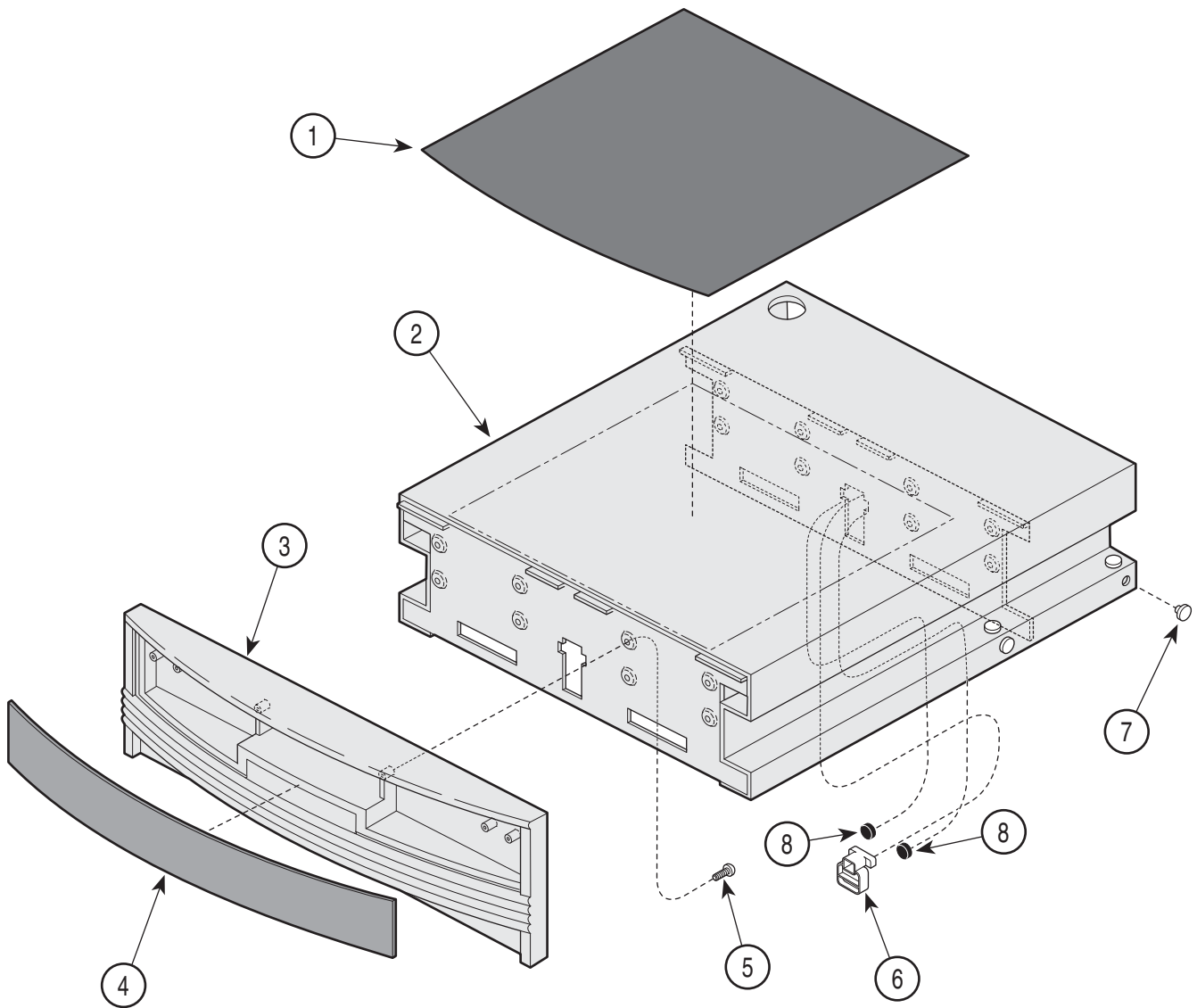
Item	Part No.	Description	Qty.	Item	Part No.	Description	Qty.
1		Upper Wrap (Refer to "Upper Wrap Assembly")	Ref	17	015-0002-05	Strain Relief Bushing	1
2	061-0621-00	Nameplate Label	1	18	015-0007-04	Wrap-N-Tap Wire Clamp	1
3	040-0010-00	Screw	18	19	030-1059-30	Base Weldment	1
4	050-3608-40	Front Support Panel	2	20	041-0030-00	Speed Nut	2
5	042-0010-03	Pop Rivet	5	21	053-0014-00	Self Sticking Bumper	2
6	016-0677-01	Cabinet Member Foot Slide	2	22	016-0001-00	Leveling Screw	4
7	050-3607-40	Center Support Panel	1	23	042-0010-01	Pop Rivet	18
8	030-1035-40	Back Weldment	1	24	050-3628-40	Short Foot Mullion	1
9	016-0676-01	Cabinet Member Side Slide	3	25	050-3618-40	Foot Mullion	1
10	053-0004-00	Glide	10	26	002-0709-05-xxx	Foot Drawer Assy (incl. item 27)	2
11	050-3609-40	End Panel	1	27	• 050-3685-00	• Drawer Insert (Specify Color)	2
12	050-3617-40	Side Mullion	2	28		Step Assembly (Refer to "Step Assembly" Elsewhere)	Ref
13	050-3715-40	Slide Mounting Bracket	1	29	053-0001-00	Nylon Stem Bumper	2
14	002-0709-04-xxx	Side Drawer Assy (incl. item 15)	3	30	061-0295-00	Cord Tag	1
15	• 050-3684-00	• Drawer Insert (Specify Color)	3				
16		Power Cord Assembly (Refer to "Electrical Components")	Ref				

Always Specify Model & Serial Number



# Step Assembly

# SECTION VI PARTS LIST



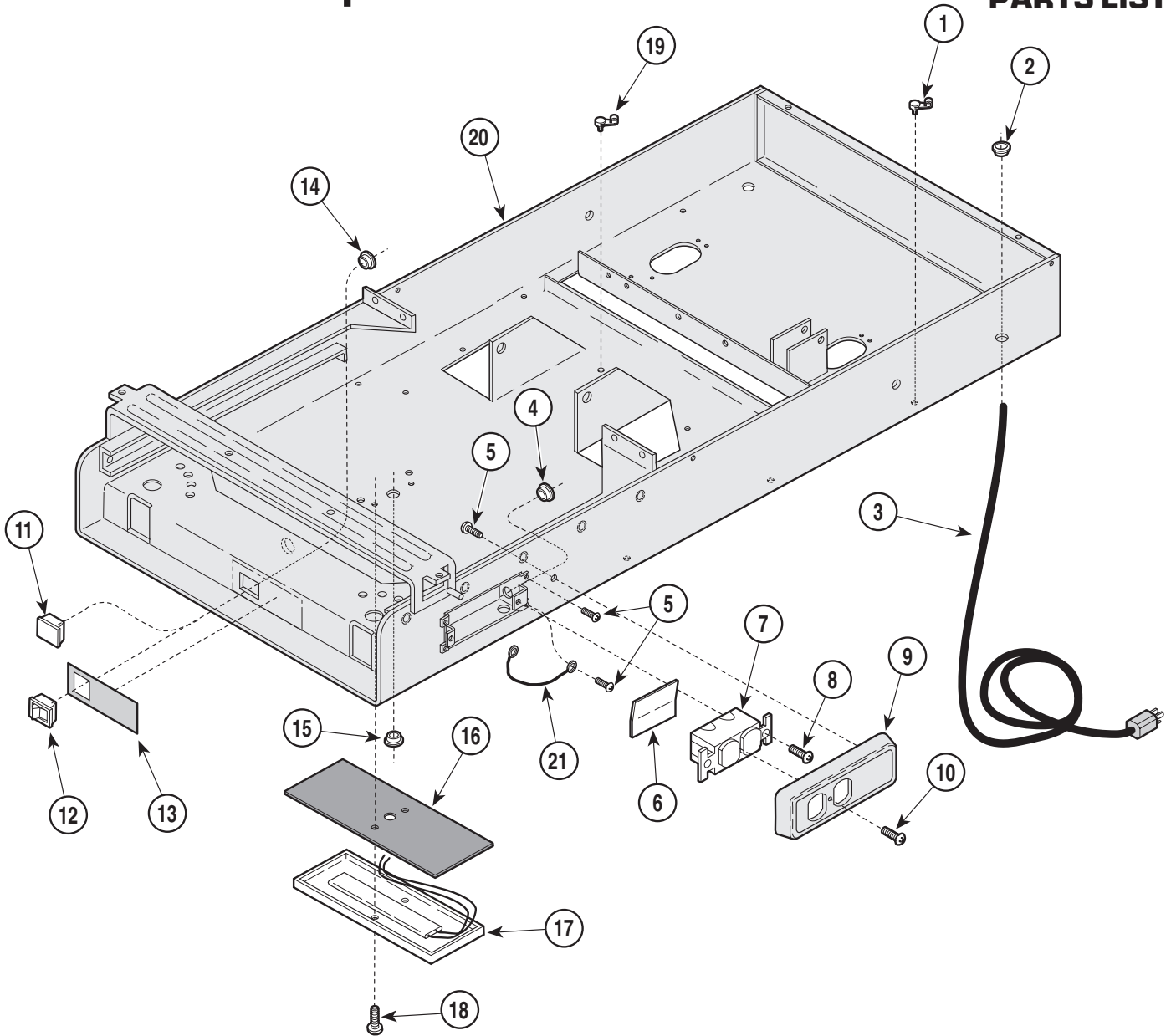
MA342801

Item	Part No.	Description	Qty.	Item	Part No.	Description	Qty.
	002-0709-06-xxx	Step Assembly (includes #1 thru 7)					
		{specify color} .....	Ref				
1	• 053-0848-00	• Step Covering .....	1	4	• 050-3685-00	• Drawer Insert (Specify Color) .....	1
2	• 030-1050-40	• Step Weldment .....	1	5	• 040-0006-00	• Screw .....	8
3	• 053-0823-00	• Foot Drawer Front .....	1	6	• 053-0846-00	• Step Stop .....	1
				7	• 053-0001-00	• Nylon Stem Bumper .....	12
				8	• 053-0716-00	• Bumpers .....	2

Always Specify Model & Serial Number

# Electrical Components

## SECTION VI PARTS LIST



MA342600

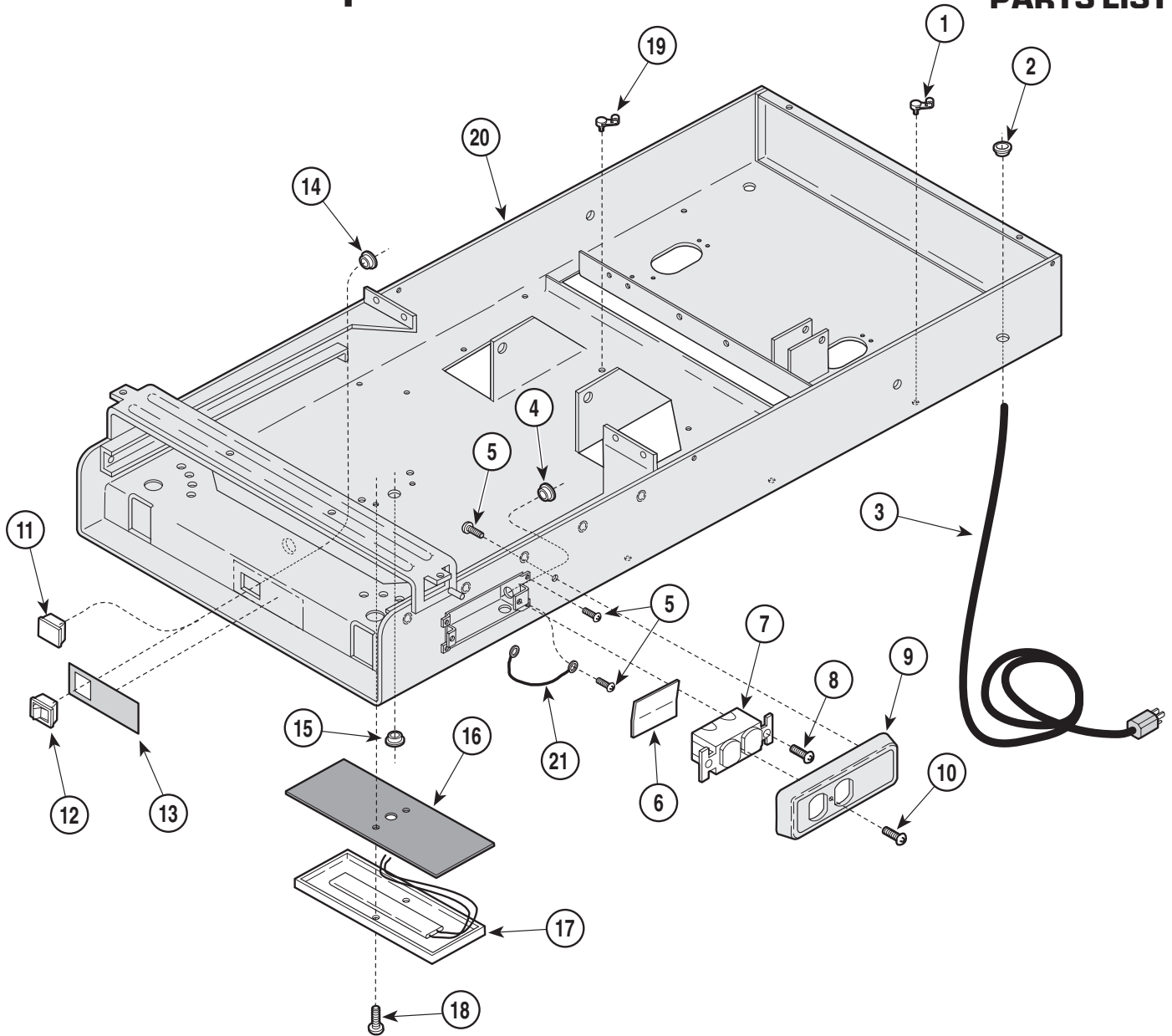
### Used on units with Serial Number GE1000 thru GE3617 GF1000 thru GF1205 and GH1000 thru GH1121

Item	Part No.	Description	Qty.	Item	Part No.	Description	Qty.
1	015-0007-04	Wrap-N-Tap Wire Clamp .....	3	14	053-0068-00	Snap Bushing (Units w/ Heaters Only) ..	1
2	053-0068-00	Snap Bushing .....	1	15	053-0068-01	Snap Bushing (Units w/ Heaters Only) ..	1
3	015-0066-03	Power Cord Assembly .....	1	16	053-0362-00	Heat Shield (Units w/ Heaters Only) .....	1
4	053-0068-07	Snap Bushing .....	1	17	002-0554-00	Heater Assembly Kit- 60 Watt (Includes Items 16 and 18) (Units w/ Heaters Only [Refer to "Wiring Diagram {Section 5} for Wire Numbers]) .....	1
5	040-0010-47	Screw .....	3	18	040-0010-35	Screw (Units w/ Heaters Only) .....	2
6	053-0092-00	Fishpaper Insulator .....	1	19	015-0007-00	Wrap-N-Tap Wire Clamp (Units w/ Heaters Only) .....	1
7	015-0083-01	Duplex Receptacle (Refer to "Wiring Diagram [Section 5] for Wire Numbers) .	1	20		Upper Wrap (Refer to "Upper Wrap Assembly" Elsewhere) .....	Ref
8	040-0006-13	Screw .....	2	21		Jumper Wire (Refer to "Wiring Diagram [Section 5] for Wire Numbers) .	1
9	053-0836-00	Receptacle Cover .....	1				
10	040-0006-23	Screw .....	1				
11	053-0350-02	Heater Plug .....	1				
12	015-0650-00	Heater Switch (Units w/ Heaters Only) ..	1				
13	061-0219-00	Caution Label (Units w/ Heaters Only) ...	1				

Always Specify Model & Serial Number

# Electrical Components

## SECTION VI PARTS LIST



MA342600

**Used on units with Serial Number GE3618, GF1206, & GH1122 thru Present  
Used on units with Serial Number V2200 thru Present**

Item	Part No.	Description	Qty.	Item	Part No.	Description	Qty.
1	015-0007-04	Wrap-N-Tap Wire Clamp .....	3	14	053-0068-00	Snap Bushing (Units w/ Heaters Only) ..	1
2	053-0068-10	Snap Bushing .....	1	15	053-0068-01	Snap Bushing (Units w/ Heaters Only) ..	1
3	015-0066-03	Power Cord Assembly .....	1	16	053-0362-00	Heat Shield (Units w/ Heaters Only) .....	1
4	053-0068-10	Snap Bushing .....	1	17	002-0554-00	Heater Assembly Kit- 60 Watt (Includes Items 16 and 18) (Units w/ Heaters Only [Refer to "Wiring Diagram {Section 5} for Wire Numbers]) .....	1
5	040-0010-47	Screw .....	3	18	040-0010-35	Screw (Units w/ Heaters Only) .....	2
6	053-0092-00	Fishpaper Insulator .....	1	19	015-0007-00	Wrap-N-Tap Wire Clamp (Units w/ Heaters Only) .....	1
7	015-0083-01	Duplex Receptacle (Refer to "Wiring Diagram [Section 5] for Wire Numbers) .	1	20		Upper Wrap (Refer to "Upper Wrap Assembly" Elsewhere) .....	Ref
8	040-0006-13	Screw .....	2	21		Jumper Wire (Refer to "Wiring Diagram [Section 5] for Wire Numbers) .	1
9	053-0836-00	Receptacle Cover .....	1				
10	040-0006-23	Screw .....	1				
11	053-0350-02	Heater Plug .....	1				
12	015-0650-00	Heater Switch (Units w/ Heaters Only) ..	1				
13	061-0219-00	Caution Label (Units w/ Heaters Only) ...	1				

**Always Specify Model & Serial Number**



## COMMENTS

The Technical Publications Department of Midmark Corporation takes pride in its publications. We are sure that our manuals will fill all of your needs when you are performing scheduled maintenance, servicing, or repairs on a Midmark product.

However, if you find any errors or feel that there should be a change, addition, or deletion to a manual, please let us know!

**Page(s) and Paragraph(s) Needing Changed:**

**Description of Error or Desired Change:**

Please fax or mail a copy of this completed comment sheet to:

Midmark Corporation  
ATTN: Technical Publications Department  
60 Vista Drive  
Versailles, Ohio 45380  
Fax: (937) 526-5542

# FAX ORDERING FORM

(SERVICE PARTS ONLY)

**NOTES:**

- ALL **BLOCKED** AREAS MUST BE COMPLETED.
- USE FOR NON-WARRANTY FAX ORDERS ONLY. WARRANTY ORDERS MUST BE TELEPHONED IN (1-800-MIDMARK).

<b>ATTENTION: SERVICE DEPARTMENT FAX#: 877-249-1793</b>				
ACCT #: _____		P.O. #: _____		DATE: _____
NAME: _____		SHIP TO: _____		
ADDRESS: _____		_____		
CITY, ST.: _____		_____		
CONTACT: _____		_____		
PHONE: _____		_____		
<input type="checkbox"/> NON-EMERGENCY ORDER - TO SHIP WITHIN 72 HOURS IF PART(S) IN STOCK.		<b>METHOD OF SHIPMENT</b> <u>OTHER</u> _____		
<input type="checkbox"/> EMERGENCY ORDER - TO SHIP WITHIN 24 HOURS IF PART(S) IN STOCK (IF ORDER IS RECEIVED BEFORE 1:00 P.M. E.S.T).		UPS                                  FED EX		
SEND NOTIFICATION IF PARTS ARE NOT AVAILABLE TO SHIP WITHIN 24 HOURS VIA E-MAIL OR FAX TO: _____		<input type="checkbox"/> NEXT DAY A.M. <input type="checkbox"/> NEXT DAY A.M.		
		<input type="checkbox"/> NEXT DAY P.M. <input type="checkbox"/> NEXT DAY P.M.		
		<input type="checkbox"/> 2ND DAY <input type="checkbox"/> 2ND DAY		
		<input type="checkbox"/> GROUND <input type="checkbox"/> ECONOMY		
QTY.	PART #	DESCRIPTION (SPECIFY COLOR OF ITEM IF APPLICABLE)	COLOR CODE	PRICE/PER
			<b>TOTAL COST: \$</b>	



Midmark Corporation  
60 Vista Drive  
P.O. Box 286  
Versailles, Ohio 45380-0286  
937-526-3662  
Fax 937-526-5542  
midmark.com



Because we care.

Subject to change without notice.  
Refer to [www.Documark.com](http://www.Documark.com) for latest revision.