

Manual Examination Table

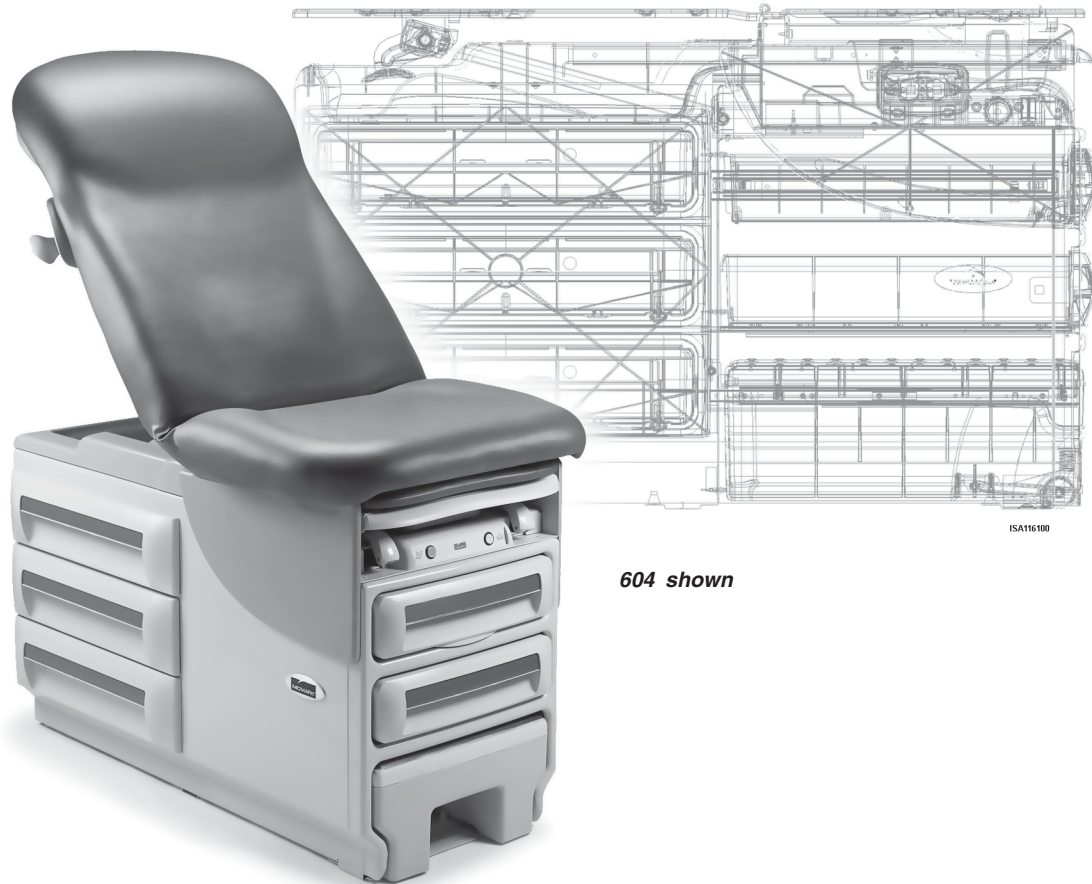
Model Numbers:

204 -001 thru -007

604 -001 thru -006



Service and Parts Manual



604 shown

FOR USE BY MIDMARK TRAINED TECHNICIANS ONLY

Table Of Contents

General Information

GENERAL INFORMATION

Symbols	iii
Ordering Parts	iii
Serial Number Location	iii
Specifications	iv
Model Identification / Compliance Charts:	
204	v
604	vi
Warranty Information	vii

Section A

TROUBLESHOOTING

Back Section Positioning	A-2
Table Receptacle System	A-5
Drawer Heater System	A-7
Upholstery Heater System	A-11

Section B

TESTING & REPAIR

Back Release Mechanism	B-2
Gas Cylinder Adjustment	B-2
Gas Cylinder Replacement	B-3
Table Receptacle System	B-4
Circuit Breakers	B-4
Supply Voltage Test	B-5
Drawer Heater System	B-6
Distribution Board Fuses	B-6
Supply Voltage Test:	
204	B-7
604	B-8
Heater Switch Replacement:	
204	B-9
604	B-10
Heater Plate Test:	
204	B-11
604	B-12
Heater Plate Replacement	B-13

Section B - con

TESTING & REPAIR - continued

Upholstery Heater System ..	B-14
Output Voltage Test	B-14
Supply Voltage Test	B-15
Uph. Heater Resistance Test	B-16
Uph. PC Board Replacement	B-17
Heater Switch Replacement	B-18
Stirrup Replacement	B-20
Footrest Extension	
Replacement	B-21
Foot Step Replacement	B-22

Section C

ACCESS PROCEDURES

Removing & Installing:

Upholstery:	
204 (Ritter)	C-2
604 (Midmark)	C-3
Stirrup Guide	C-4
Drawers	C-5

Section D

WIRING DIAGRAMS

204:	
(-001 & -003)	D-2
(-002 & -004)	D-3
(-006)	D-6
(-007)	D-7
604:	
(-001)	D-2
(-002)	D-4
(-003)	D-5
(-005)	D-6
(-006)	D-8

Section E

EXPLODED VIEWS / PARTS LISTS

204:	
(-001 / -002 / -005 / -007)	E-2
(-003 / -004)	E-3
604 (all)	E-4

Symbols



Caution

Indicates a potentially hazardous situation which could result in injury if not avoided.



Equipment Alert

Indicates a potentially hazardous situation which could result in equipment damage if not avoided.

Note

Amplifies a procedure, practice, or condition.



In Section A, test the components in the order indicated. (ex. **1st** ✓ then, **2nd** ✓)

Refer to Section B for component testing procedures.

These symbols are used throughout this manual to represent the operational status of table functions and components.



Indicates the function / component is working properly. No action required.



Indicates the function / component is working, but a problem exists.



Indicates the function / component is not working at all.

Ordering Parts

The following information is required when ordering parts:

- Serial number & model number
- Part number for desired part.

[Refer to Exploded Views / Parts Lists section]

Non-warranty part orders may be faxed to Midmark using the Fax Order Form in the back of this manual.

For warranty part orders, call Midmark's Technical Service Department with the required information.

Hours: 8:00 am until 5:00 pm EST [Monday - Friday]

Phone: 1-(800)-Midmark

Model / Serial Number Location

Serial / Model Number

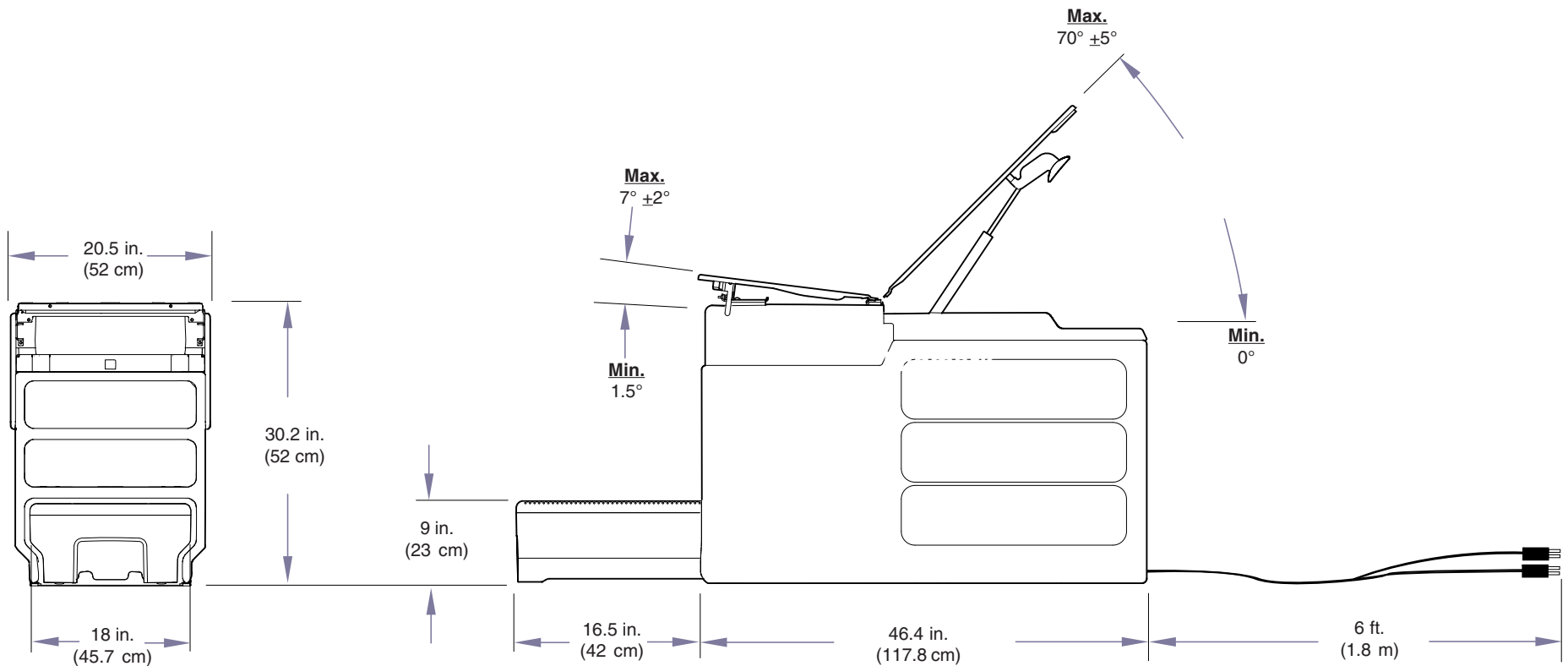
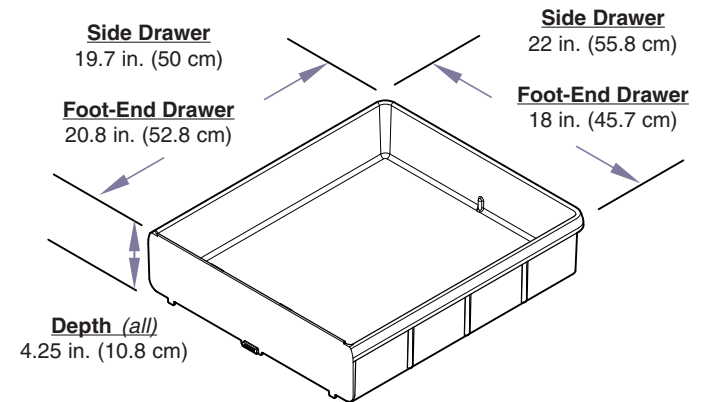


MA706500i

General Information

Specifications

- Maximum Patient Weight:** 500 lbs (226 kg)
- Electrical Supply Requirements:** [See *Model Identification Chart*]
- Paper Roll (maximum size):** 21 in. wide x 3.5 in. diameter
(53 cm x 9 cm)
- Range of Motion & Dimensions** (See illustrations)
- Weight of Table:** 220 lbs (99.8 kg)
w/packaging & skid 273 lbs (123.8 kg)
- Receptacle Power Cord:** 6 ft. (1.8 m) long
- Drawer / Uph. Heater Power Cord:** 6 ft. (1.8 m) long



MA707404i

Model Identification Chart - 204

Fire Code Ratings

All standard upholstery sets comply with: California Bureau of Home Furnishing [Technical Bulletin 117](#)

Optional upholstery sets are available that comply with: California Bureau of Home Furnishing [Technical Bulletin 133](#).

Model	Description	Electrical Supply Requirements:		
		VAC +/-10%	Amps	Cycles (Hz)
204-001	Ritter Exam Table <i>(Pass-thru Drawers)</i> <i>w/ Receptacle</i>	115	5	50 / 60
204-002	Ritter Exam Table <i>(Pass-thru Drawers)</i> <i>w/ Receptacle, Pelvic Tilt, & Drawer Heater</i>	115	5.5	50 / 60
204-003	Ritter Exam Table <i>(Bulk Storage)</i> <i>w/ Receptacle</i>	115	5	50 / 60
204-004	Ritter Exam Table <i>(Bulk Storage)</i> <i>w/ Receptacle, Pelvic Tilt, & Drawer Heater</i>	115	5.5	50 / 60
204-005	Ritter Exam Table - Export <i>(Pass-thru Drawers)</i> <i>w/ Pelvic Tilt</i>	-	-	-
204-006	Ritter Exam Table- - Export <i>(Pass-thru Drawers)</i> <i>w/ Receptacle, & Pelvic Tilt</i>	230	5	50 / 60
204-007	Ritter Exam Table- - Export <i>(Pass-thru Drawers)</i> <i>w/ Receptacle, Pelvic Tilt, & Drawer Heater</i>	230	5.5	50 / 60

Regulatory compliance information is available by calling 1-800-643-6275 or 1-937-526-3662.

General Information

Model Identification Chart - 604

Fire Code Ratings

All standard upholstery sets comply with: California Bureau of Home Furnishing [Technical Bulletin 117](#)

Optional upholstery sets are available that comply with: California Bureau of Home Furnishing [Technical Bulletin 133](#).

Model	Description	Electrical Supply Requirements:		
		VAC +/-10%	Amps	Cycles (Hz)
604-001	Midmark Exam Table <i>w/ Receptacle</i>	115	5	50 / 60
604-002	Midmark Exam Table <i>w/ Receptacle, Pelvic Tilt, & Drawer Heater</i>	115	5.5	50 / 60
604-003	Midmark Exam Table <i>w/ Receptacle, Pelvic Tilt, Drawer Heater, & Heated Upholstery</i>	115	6.5	50 / 60
604-004	Midmark Exam Table - Export <i>w/ Pelvic Tilt</i>	-	-	-
604-005	Midmark Exam Table - Export <i>w/ Receptacle, & Pelvic Tilt</i>	230	5	50 / 60
604-006	Midmark Exam Table - Export <i>w/ Receptacle, Pelvic Tilt, & Drawer Heater</i>	230	5.5	50 / 60

Regulatory compliance information is available by calling 1-800-643-6275 or 1-937-526-3662.

Warranty Information

SCOPE OF WARRANTY

Midmark Corporation (“Midmark”) warrants to the original purchaser its new Alternate Care products and components (except for components not warranted under “Exclusions”) manufactured by Midmark to be free from defects in material and workmanship under normal use and service. Midmark’s obligation under this warranty is limited to the repair or replacement, at Midmark’s option, of the parts or the products the defects of which are reported to Midmark within the applicable warranty period and which, upon examination by Midmark, prove to be defective.

APPLICABLE WARRANTY PERIOD

The applicable warranty period, measured from the date of delivery to the original user, shall be one (1) year for all warranted products and components.

EXCLUSIONS

This warranty does not cover and Midmark shall not be liable for the following: (1) repairs and replacements because of misuse, abuse, negligence, alteration, accident, freight damage, or tampering; (2) products which are not installed, used, and properly cleaned as required in the Midmark “Installation” and or “Installation / Operation Manual for this applicable product. (3) products considered to be of a consumable nature; (4) accessories or parts not manufactured by Midmark; (5) charges by anyone for adjustments, repairs, replacement parts, installation, or other work performed upon or in connection with such products which is not expressly authorized in writing in advance by Midmark.

EXCLUSIVE REMEDY

Midmark’s only obligation under this warranty is the repair or replacement of defective parts. Midmark shall not be liable for any direct, special, indirect, incidental, exemplary, or consequential damages or delay, including, but not limited to, damages for loss of profits or loss of use.

NO AUTHORIZATION

No person or firm is authorized to create for Midmark any other obligation or liability in connection with the products.

THIS WARRANTY IS MIDMARK’S ONLY WARRANTY AND IS IN LIEU OF ALL OTHER WARRANTIES, EXPRESS OR IMPLIED. MIDMARK MAKES NO IMPLIED WARRANTIES OF ANY KIND INCLUDING ANY WARRANTIES OF MERCHANTABILITY OR FITNESS FOR ANY PARTICULAR PURPOSE. THIS WARRANTY IS LIMITED TO THE REPAIR OR REPLACEMENT OF DEFECTIVE PARTS.

Additional Information

Failure to follow the guidelines listed below will void the warranty and/or render the table unsafe for use.

- If a malfunction is detected, do not use the table until necessary repairs are made.
- Do not attempt to disassemble table, replace components, or perform adjustments unless you are a Midmark authorized service technician.
- Do not use another manufacturer's parts to replace malfunctioning components. Use only Midmark replacement parts

Section A

Troubleshooting

Function / System	Page
Back Section Positioning	A-2
Table Receptacle	A-5
Drawer Heater	A-7
Upholstery Heater	A-11



Troubleshooting

Back Section Positioning

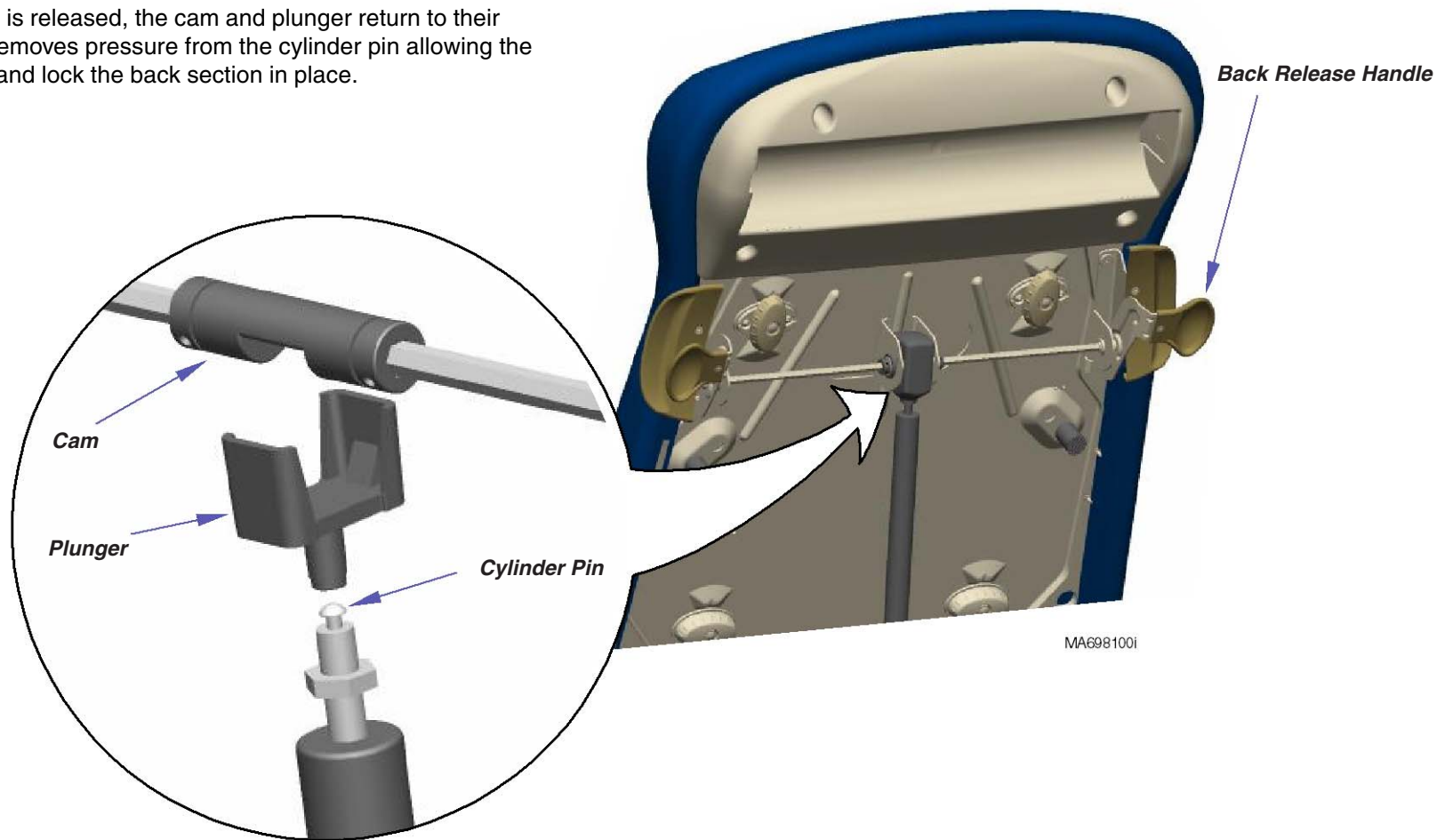
Back Section Release Mechanism

When either back release handle is squeezed, linkage rotates the cam. The rotating cam pushes the plunger down, compressing the cylinder pin. When the cylinder pin is compressed, the pressure inside the cylinder is released, allowing the back section to be repositioned.

When the back handle is released, the cam and plunger return to their normal position. This removes pressure from the cylinder pin allowing the cylinder to pressurize and lock the back section in place.

Back Section Positioning

<u>Problem</u>	<u>Page</u>
Back drifts up or down	A-3
Back locked in place	A-4
Difficult to position	A-4



Back Section Positioning - continued

Problem: Back section drifts up or down.

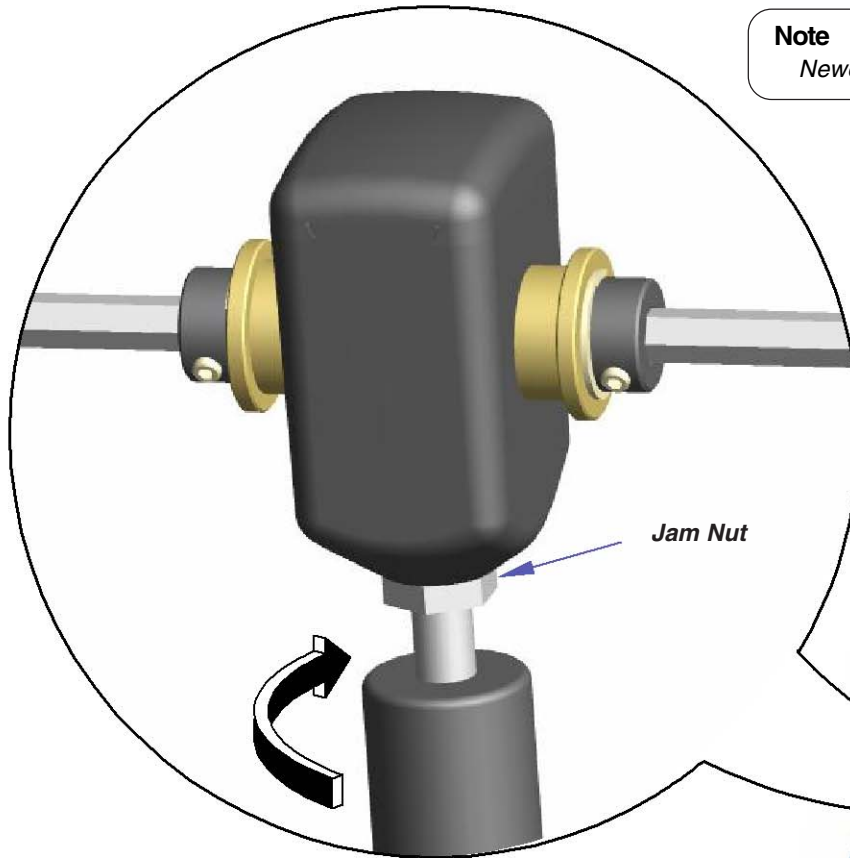
Refer To:

Page

Gas Cylinder Replacement B-3

Note

Newer units may have two jam nuts.



Gas cylinder screwed in too far.

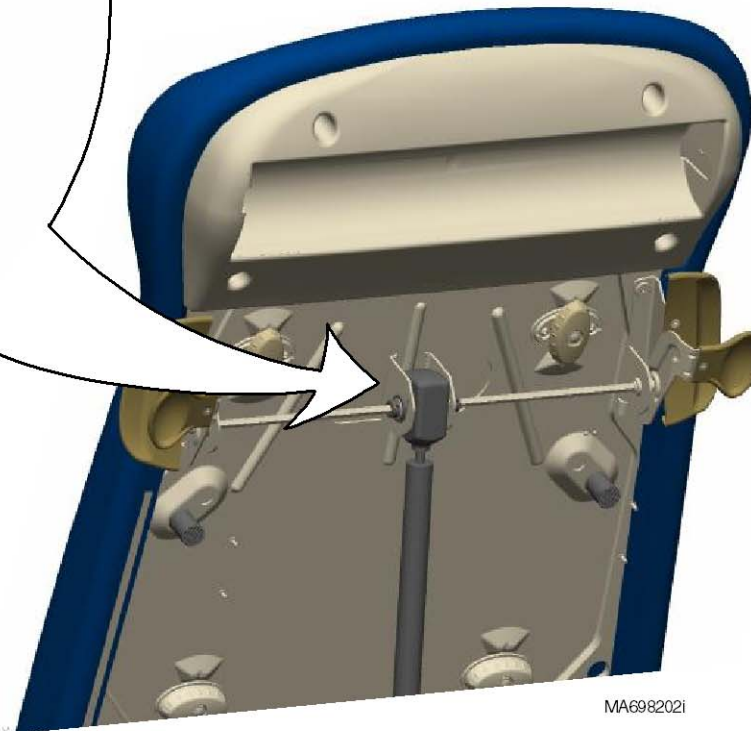
1st ✓

- A. Loosen jam nut(s).
- B. Unscrew cylinder slightly.
- C. Tighten jam nut(s), then test.

Replace gas cylinder.

2nd ✓

Refer to: Section B - Back Release Mechanism



MA698202i

Models:
Serial Numbers:

All
All

**Back Section
Positioning**

Troubleshooting

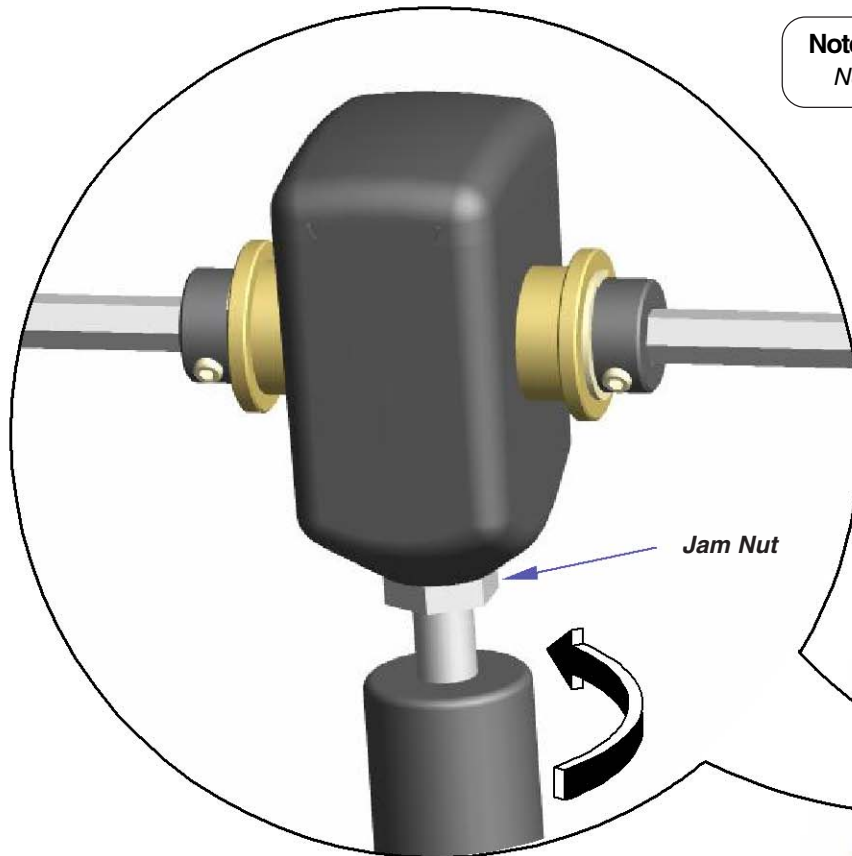
Refer To: Page
Gas Cylinder Replacement B-3

Back Section Positioning - continued

Problem: Back section is "locked" in place. -or-
Back section is difficult to position.

Note

Newer units may have two jam nuts.

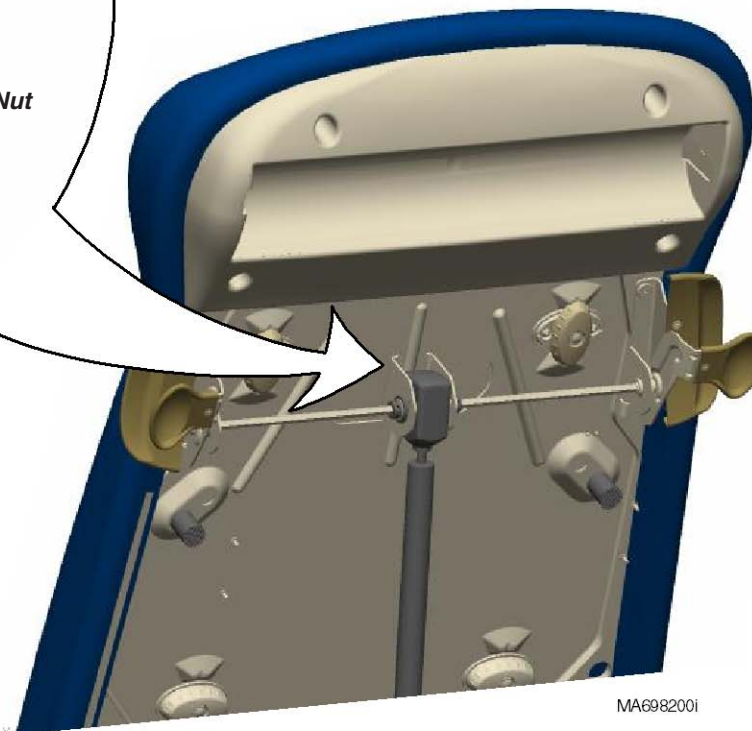


Gas cylinder is not screwed in far enough. 1st ✓

- A. Loosen jam nut(s).
- B. Screw cylinder in slightly.
- C. Tighten jam nut(s), then test.

Replace gas cylinder. 2nd ✓

Refer to: Section B - Back Release Mechanism



MA6982001

Table Receptacle System - optional

Table Receptacle Operation

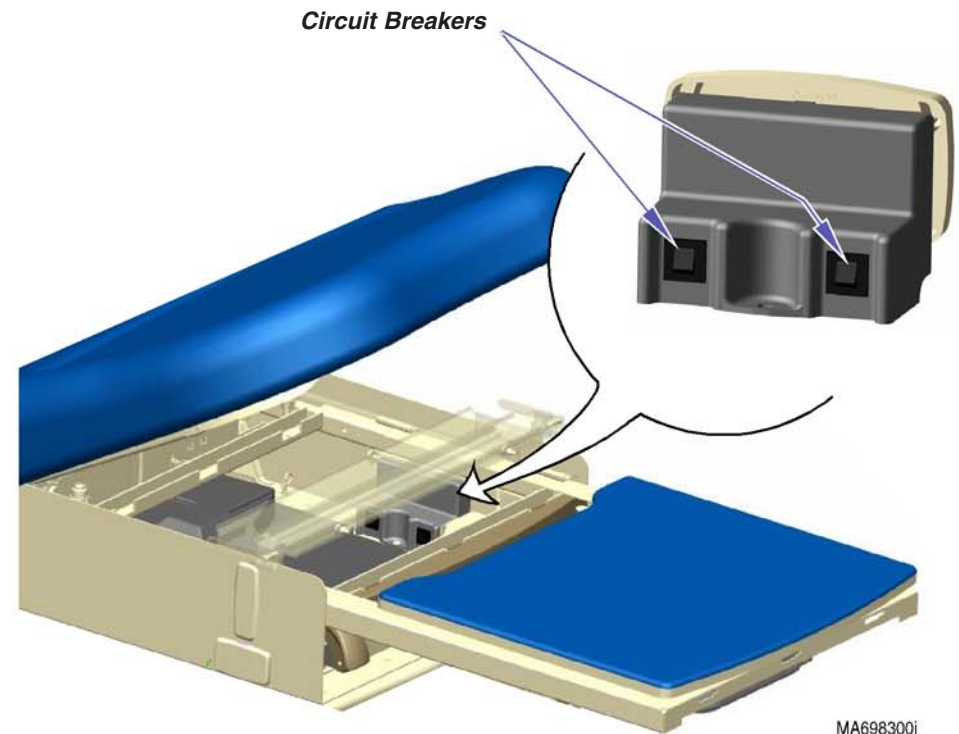
With the receptacle power cord properly connected, line voltage (115 VAC) is supplied directly to the two receptacle circuit breakers.

115 VAC flows thru the two circuit breakers to the receptacle. If the receptacle's maximum load is exceeded, the circuit breakers interrupt power to the receptacle.

Maximum Load (both outlets combined)..... 115 VAC, 5 amps

Table Receptacle System

<u>Problem</u>	<u>Page</u>
No power at receptacle	A-6



Models:	204 (-001 thru -004)	604 (-001 thru -003)
Serial Numbers:	All	All

Table Receptacle System

© Midmark Corporation 2005 SF-1864

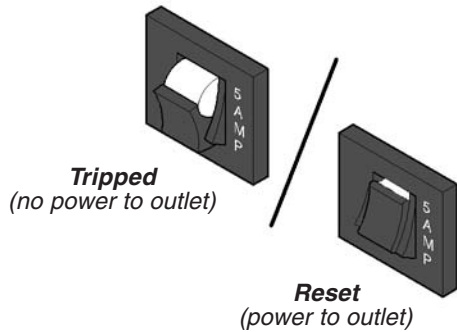
Troubleshooting

Table Receptacle System - continued

Problem: No power at receptacle.

Refer To: Page
Receptacle Supply Voltage Test B-5
Wiring Diagrams D-1

Are circuit breakers tripped? **1st ✓**
Push toggle switches inward to reset.

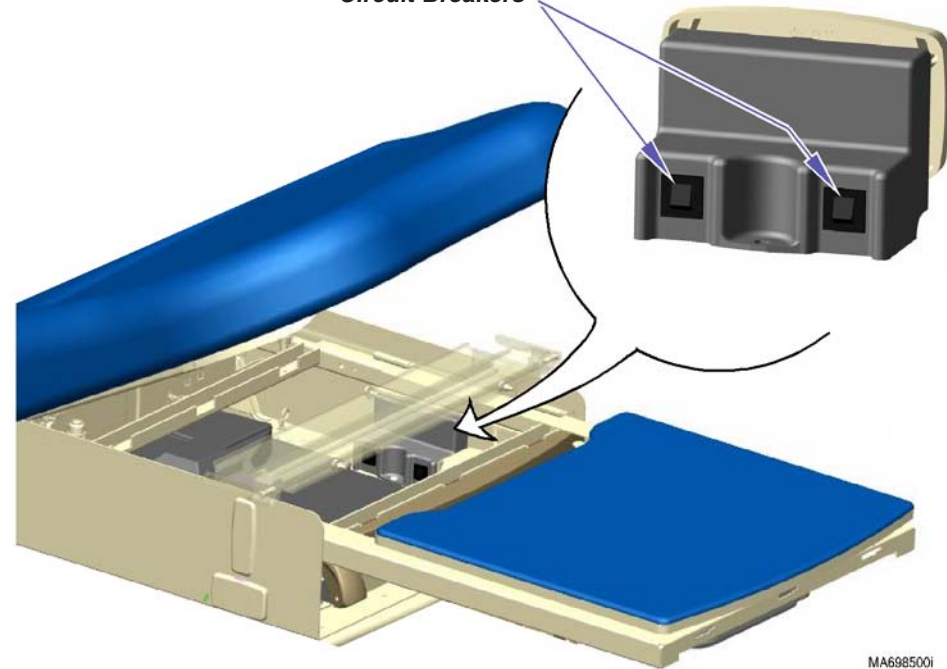


Loose / disconnected wire connections. **2nd ✓**

Check the following connections:

- Receptacle power cord to supply source
- Receptacle power cord to circuit breakers
- Circuit breakers to receptacle

Circuit Breakers



Perform Receptacle Supply Voltage Test **3rd ✓**
Refer to: Section B - Table Receptacle System

MA698500i

Table Receptacle System

Models:
Serial Numbers:

204 (-001 thru -004)
All

604 (-001 thru -003)
All

Drawer Heater System - optional

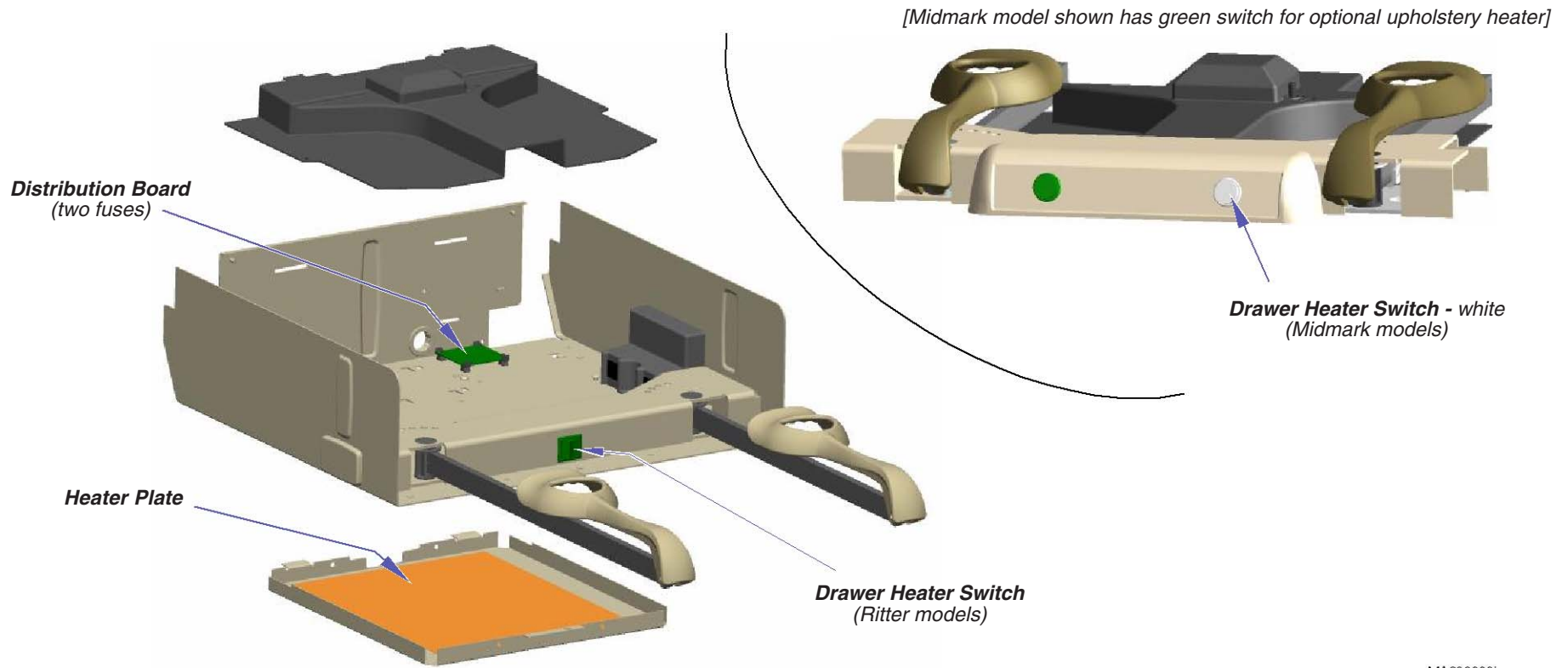
Drawer Heater Operation

With the heater system's power cord properly connected, 115 VAC is supplied to the drawer heater switch thru two fuses on the distribution board.

When pressed ON, the switch illuminates and current flows to the heater plate. When the heater plate is energized, it warms the contents of the drawer to approximately 98° F (37° C).

Drawer Heater System

<u>Problem</u>	<u>Page</u>
Heater does <u>not</u> warm up:	
Switch does not illuminate	A-8
Switch illuminates	A-9
Heater works properly, <i>but</i> ...	
Switch does not illuminate	A-10



MA699000i

Models:	204 (-002 & -004)	604 (-002 & -003)
Serial Numbers:	All	All

Drawer Heater System

© Midmark Corporation 2005 SF-1864

Troubleshooting

Refer To:

Page

Supply Voltage Test:

204 (Ritter)	B-7
604 (Midmark)	B-8
Wiring Diagrams	D-1

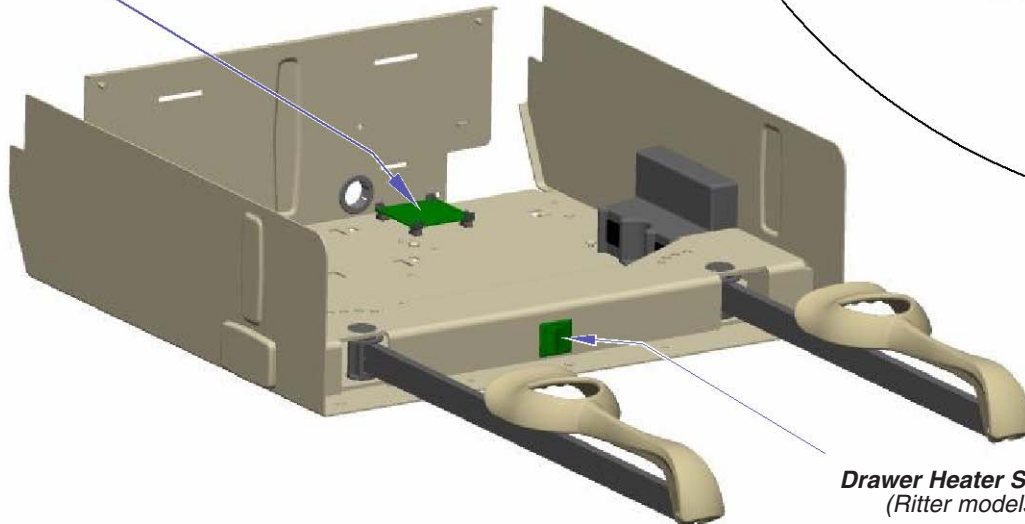
Drawer Heater System - continued

Problem: Drawer heater does not warm up - **and** Drawer heater switch does not illuminate.

1st ✓

Check fuses on distribution board
If either fuse is blown, replace both fuses.

Distribution Board
(two fuses)



[Midmark model shown has green switch for optional upholstery heater]

Drawer Heater Switch - white
(Midmark models)

Drawer Heater Switch
(Ritter models)

3rd ✓

Perform Supply Voltage Test
Refer to: Section B - Drawer Heater System

2nd ✓

Loose / disconnected wire connections.

Check the following connections:

- Heater system power cord to supply source
- Heater system power cord to distribution board
- Distribution board to heater switch

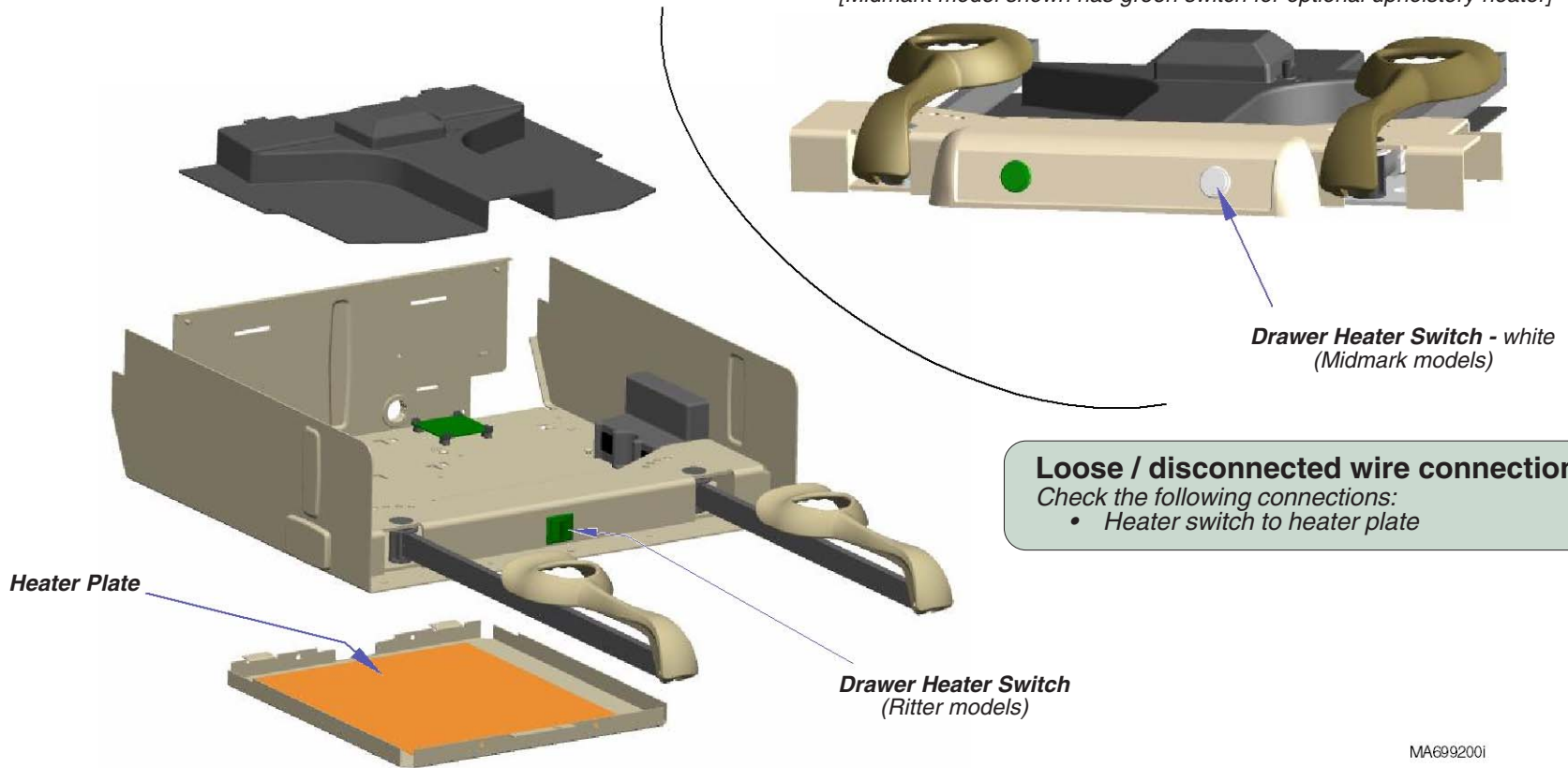
MA6991001

Drawer Heater System - continued

Problem: Drawer heater does not warm up - **but** Drawer heater switch does illuminate,

Refer To:	Page
Heater Plate Test:	
204 (Ritter)	B-11
604 (Midmark)	B-12
Wiring Diagrams	D-1

[Midmark model shown has green switch for optional upholstery heater]



Loose / disconnected wire connections. 1st ✓

- Check the following connections:
- Heater switch to heater plate

Perform Heater Plate Test 2nd ✓

Refer to: Section B - Drawer Heater System

MA699200i

Models:	204 (-002 & -004)	604 (-002 & -003)
Serial Numbers:	All	All

Drawer Heater System

Troubleshooting

Refer To:

Page

Heater Switch Replacement:

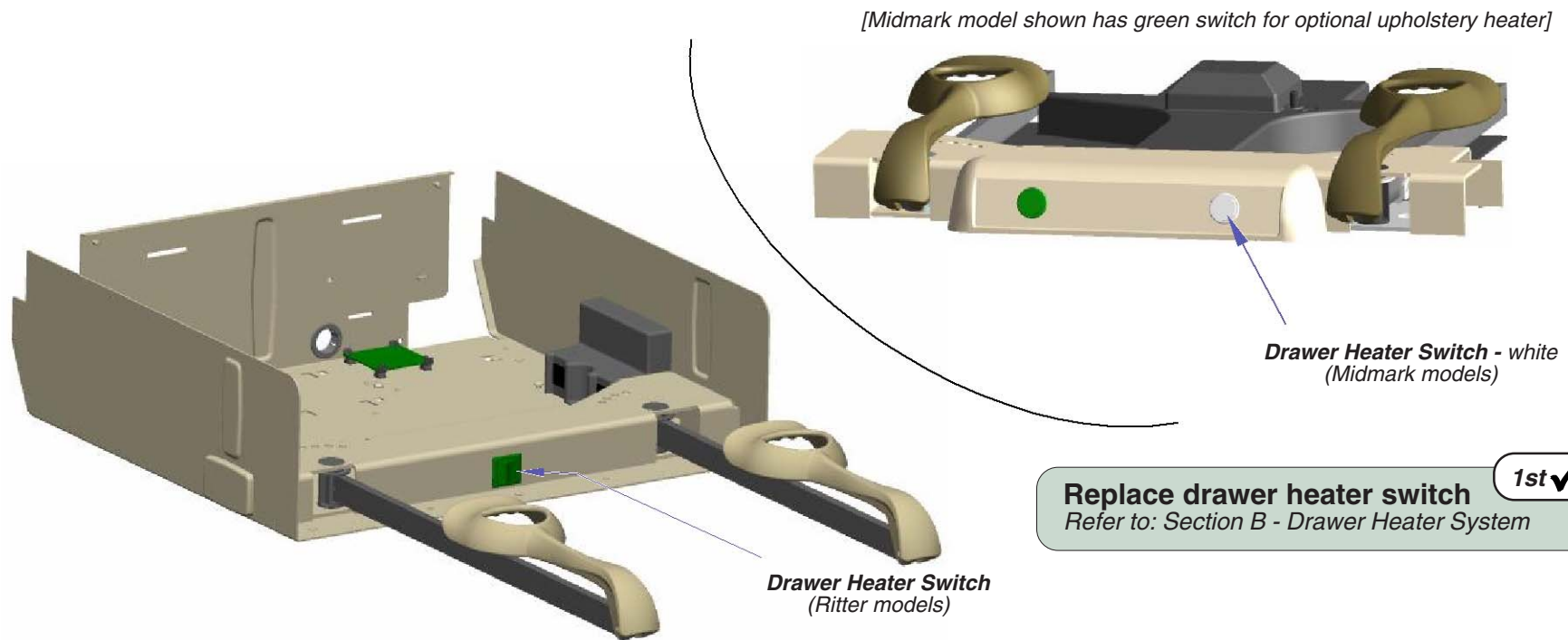
204 (Ritter) B-9

604 (Midmark) B-10

Wiring Diagrams D-1

Drawer Heater System - continued

Problem: Drawer heater warms up - **but**
Drawer heater switch does not illuminate.



MA699300i

Upholstery Heater System - optional

Upholstery Heater Operation

With the heater system's power cord properly connected, 115 VAC is supplied to the upholstery heater PC board thru the distribution board.

Note

Current does *not* flow thru the two fuses on the distribution board. The distribution board is merely a connection point for the upholstery heater system.

The two fuses (F1 & F2) on the uph. heater PC board protect this system from excessive current.

Circuitry on the upholstery heater PC board reduces the line voltage, and supplies approximately 12 VAC to the upholstery heater switch.

When the upholstery heater switch is pressed ON, the switch illuminates and 12 VAC is supplied to the two upholstery heating elements. When the heating elements are energized, they warm the back & seat sections of the upholstered top. Pressing the heater button again, turns the heater system OFF.

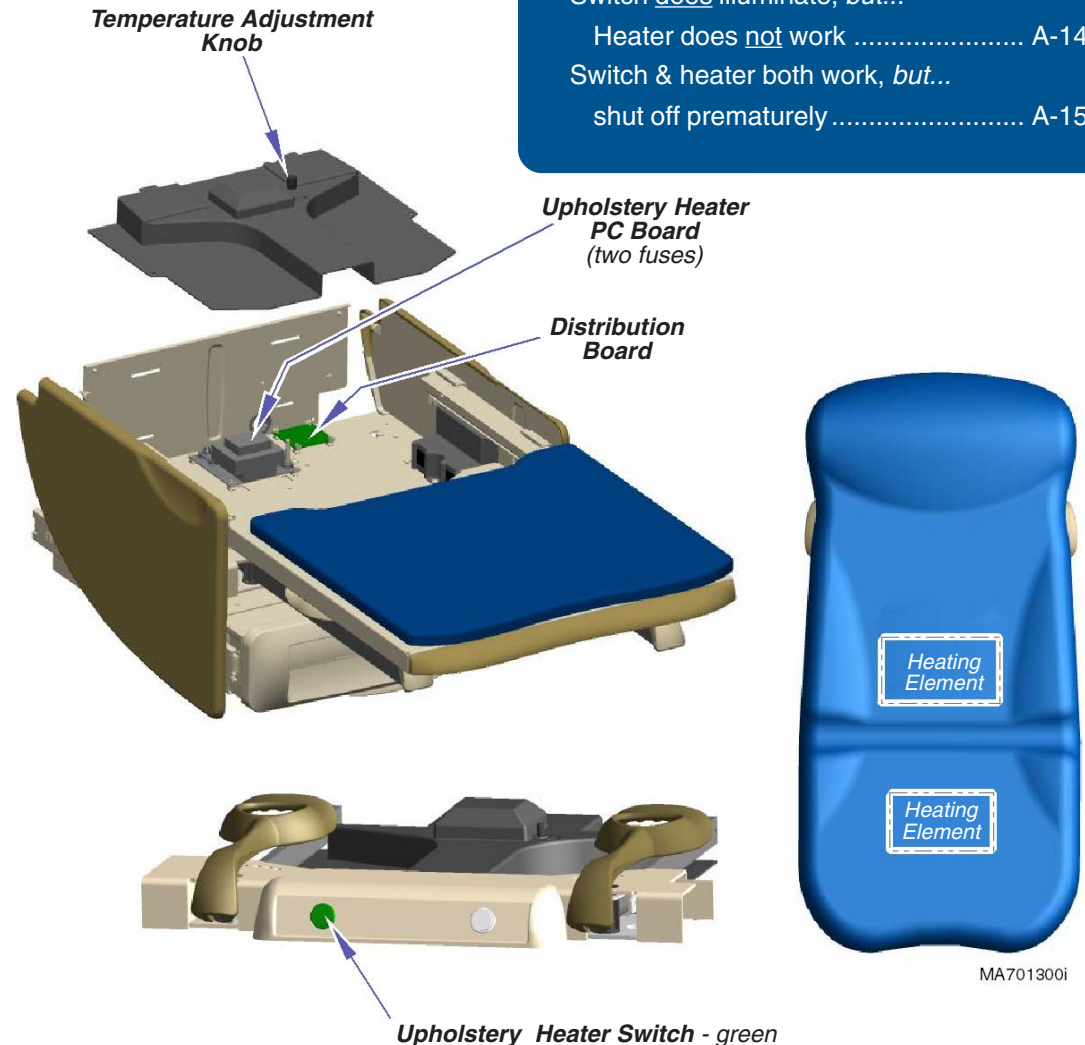
Note

The upholstery temperature can be adjusted. Refer to Section B: Upholstery Heater System.

A timer on the upholstery heater PC board automatically turns the heater OFF after 8 hours. The timer is initiated when the upholstery heater switch is pressed ON.

Upholstery Heater System

Problem	Page
Switch does <i>not</i> illuminate, and...	
Heater does <i>not</i> work	A-12
Heater <i>does</i> work	A-13
Switch <i>does</i> illuminate, but...	
Heater does <i>not</i> work	A-14
Switch & heater both work, but...	
shut off prematurely	A-15



Models: 604 (-003)
Serial Numbers: All

Upholstery Heater System

Troubleshooting

Refer To:

Supply Voltage Test B-15

Wiring Diagrams D-1

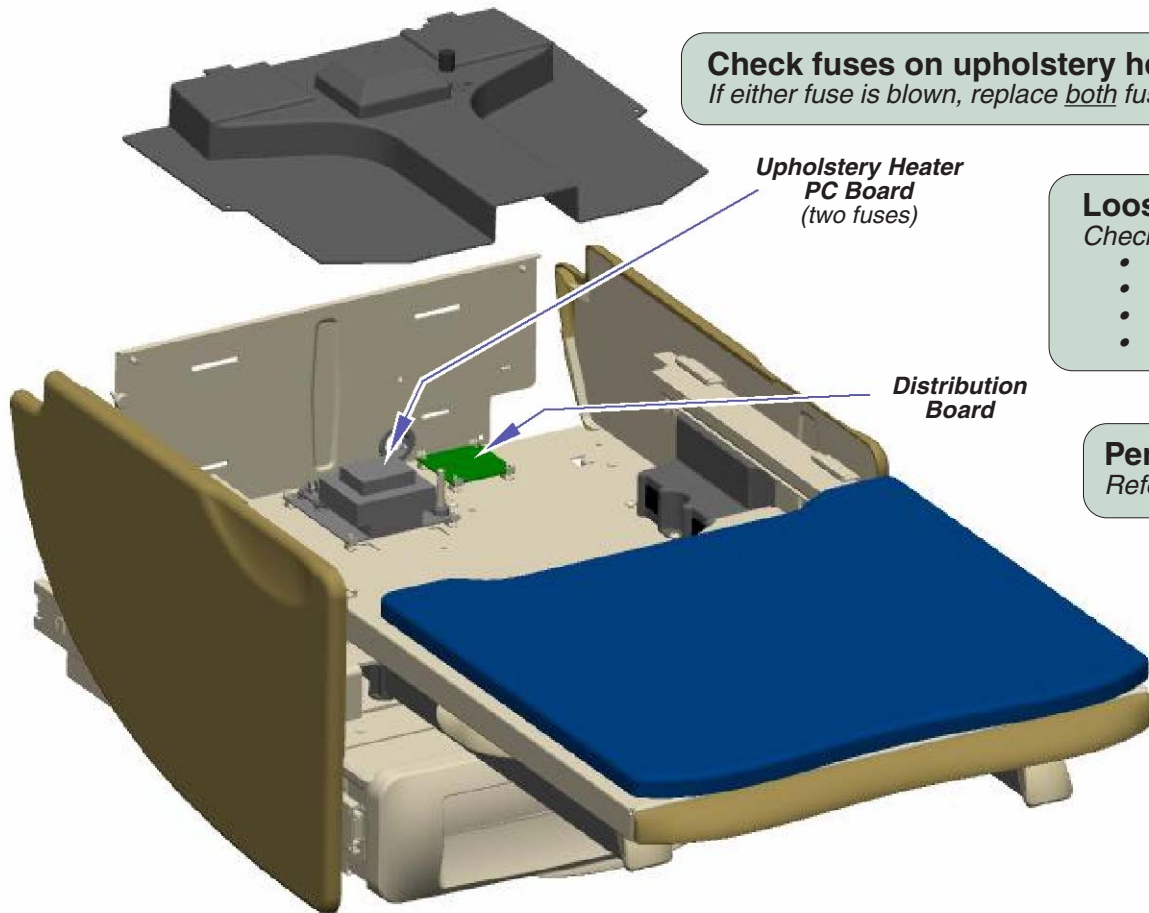
Page

B-15

D-1

Upholstery Heater System - continued

Problem: Uph. heater switch does not illuminate - **and** Upholstery heater does not work.



Check fuses on upholstery heater PC board.

If either fuse is blown, replace both fuses.

1st ✓

Loose / disconnected wire connections.

Check the following connections:

- Heater system power cord to supply source
- Heater system power cord to distribution board
- Distribution board to uph. PC board
- Uph. PC board to uph. heater switch

2nd ✓

Perform Supply Voltage Test

Refer to: Section B - Upholstery Heater System

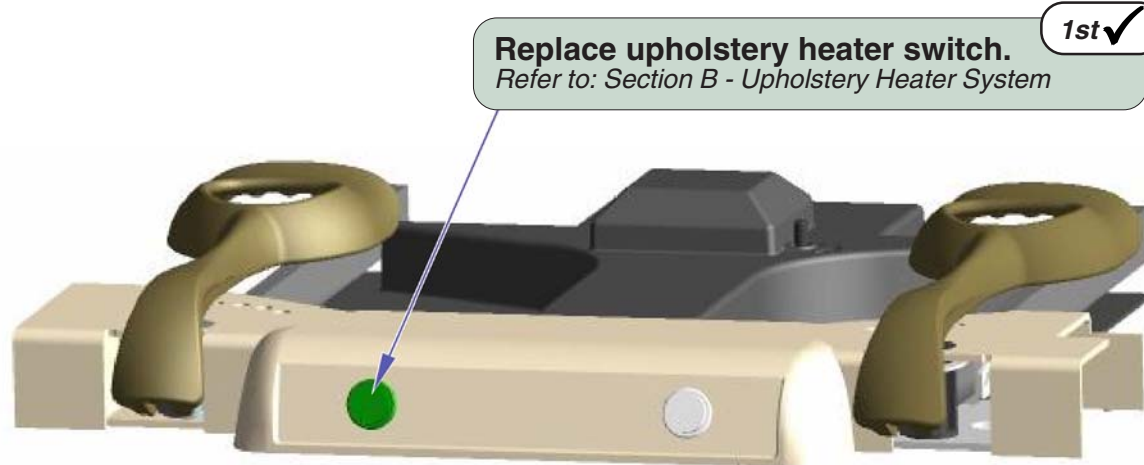
3rd ✓

MA701400i

Upholstery Heater System - continued

Problem: Uph. heater switch does not illuminate - **but** Upholstery heater does work.

Refer To:	Page
Uph. Heater Switch Replacement	B-18
Wiring Diagrams	D-1



MA701500i

Models: 604 (-003)
Serial Numbers: All

Upholstery Heater
System

Troubleshooting

Refer To:

Heating Element Test B-17

Wiring Diagrams D-1

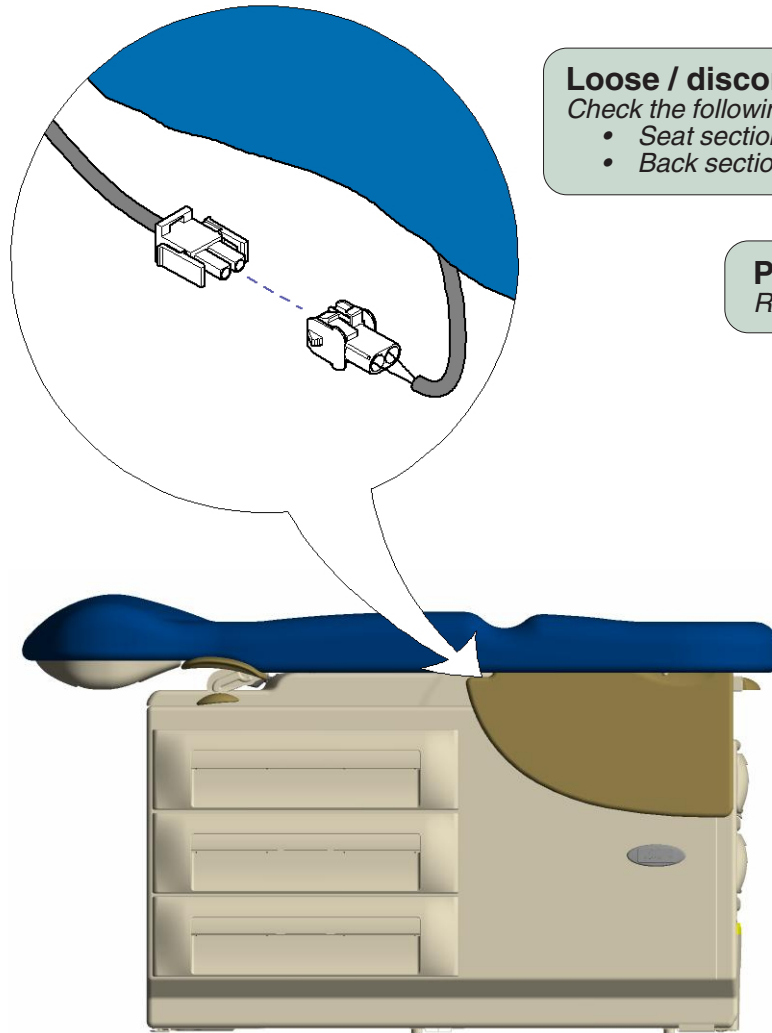
Page

B-17

D-1

Upholstery Heater System - continued

Problem: Uph. heater switch does illuminate - **but** Upholstery heater does not work.



Loose / disconnected wire connections. 1st ✓

Check the following connections:

- Seat section heating element to uph. PC board
- Back section htg. element to seat section htg. element

Perform Heating Element Test 2nd ✓

Refer to: Section B - Upholstery Heater System

MA702400i

Upholstery Heater System - continued

Problem: Uph. heater & switch both work **but** shut off prematurely.

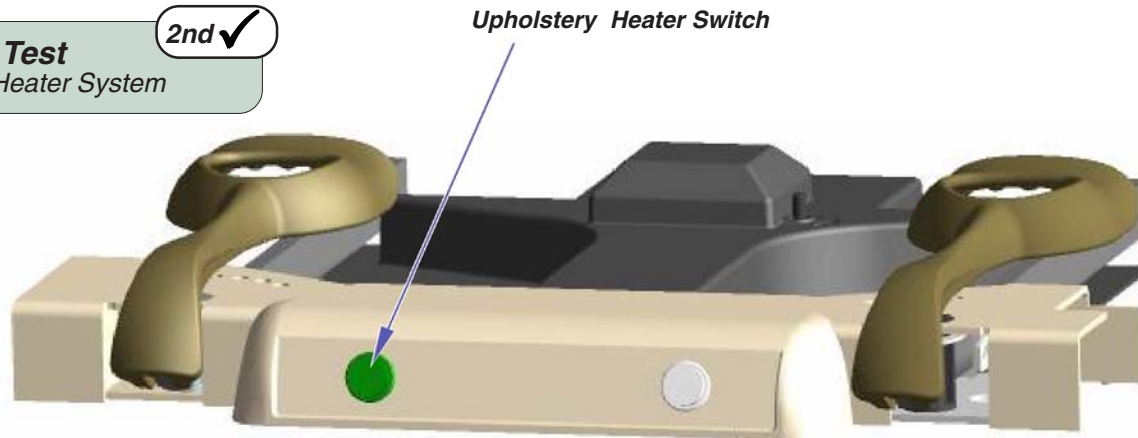
Refer To:	Page
Heating Element Test	B-17
Wiring Diagrams	D-1

Timed cycle has expired. 1st ✓

Upholstery heater shuts OFF automatically after 8 hours.
Press uph. heater switch to turn heater back ON.

Perform Heating Element Test 2nd ✓

Refer to: Section B - Upholstery Heater System



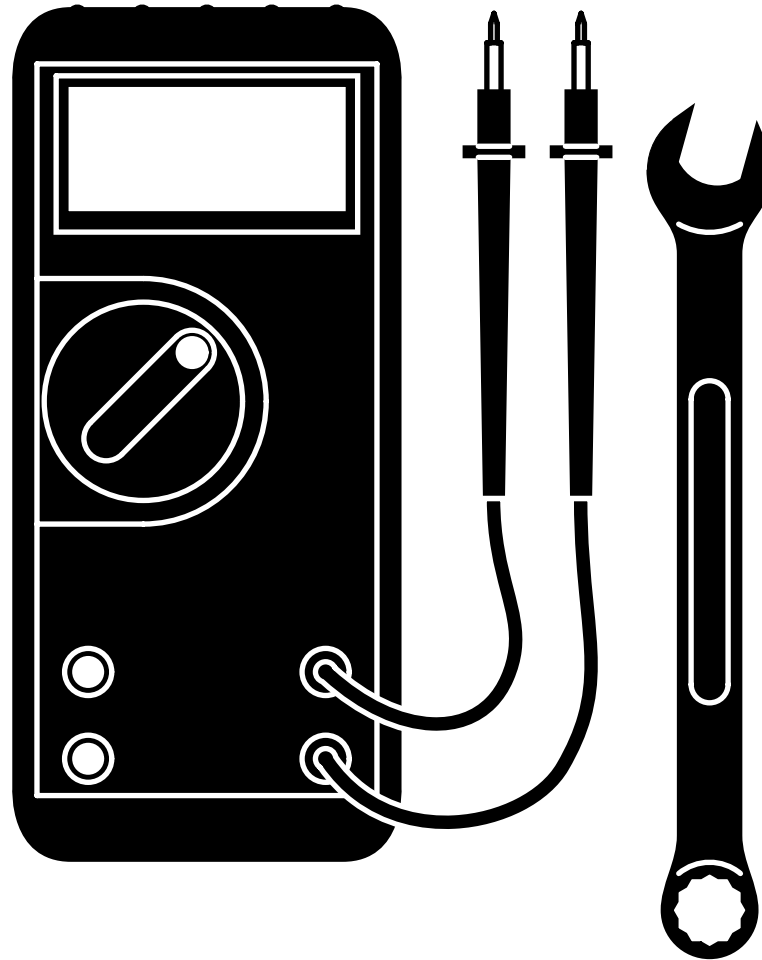
MA701500i

Models: 604 (-003)
Serial Numbers: All

**Upholstery Heater
System**

Section B

Testing & Repair



<u>Components</u>	<u>Page</u>
Back Release Mechanism	B-2
Table Receptacle System	B-4
Drawer Heater System	B-6
Upholstery Heater System	B-14
Stirrups	B-20
Footrest Extension Replacement	B-21
Footstep Replacement:	
204 (Ritter models)	B-22
604 (Midmark models)	B-23

Testing & Repair

Back Release Mechanism

Gas Cylinder Adjustment

Back Release Mechanism

Page

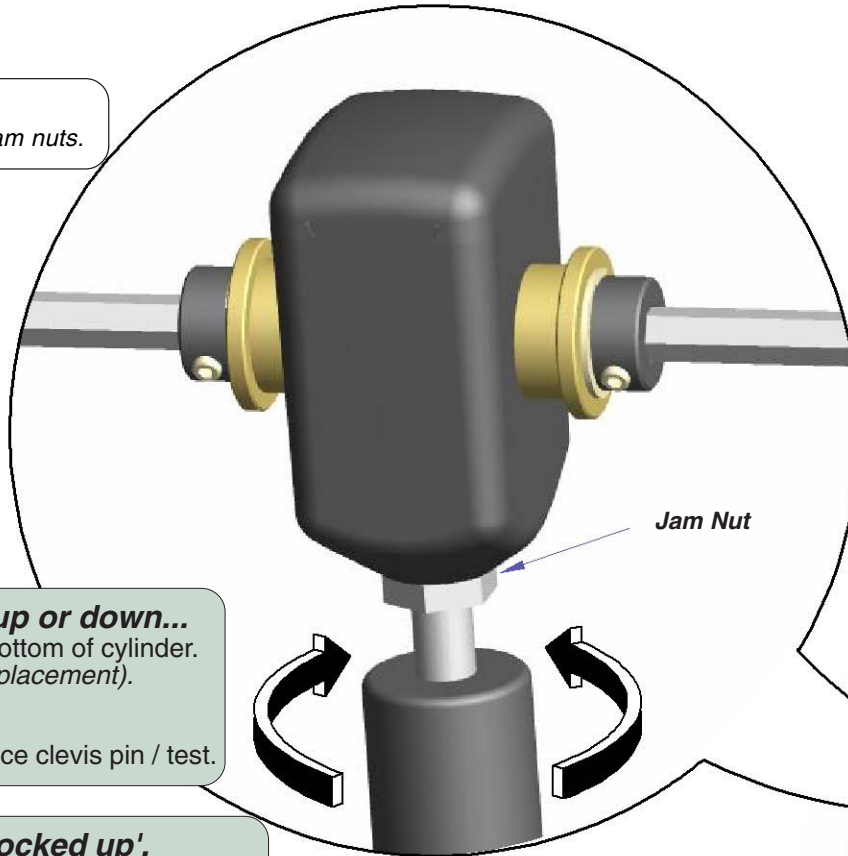
Gas Cylinder Adjustment B-2

Gas Cylinder Replacement B-3

Exploded Views / Part Numbers E-9

Note

Newer units may have two jam nuts.



Attention:

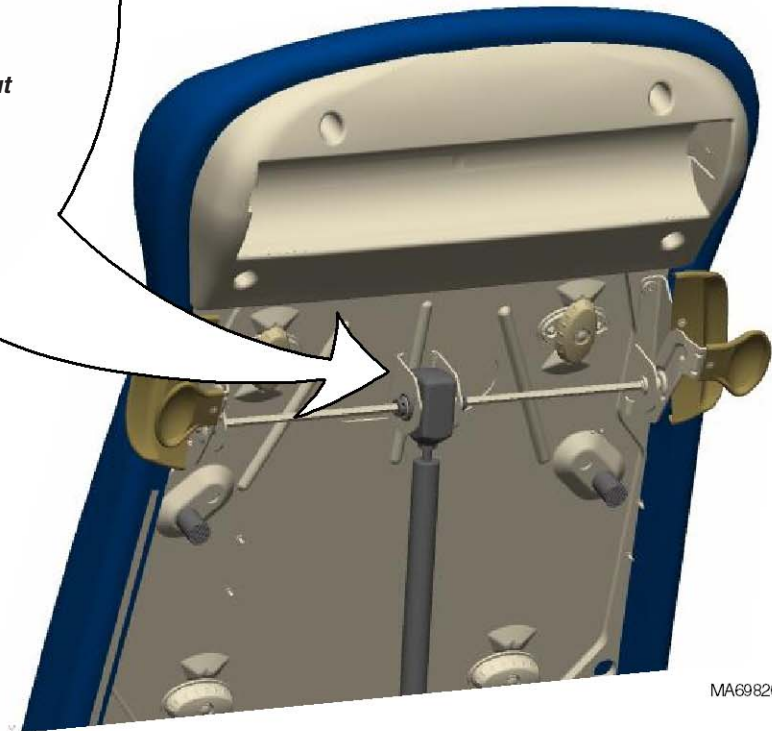
If problem persists after performing the appropriate adjustment, replace gas cylinder.

If back section drifts up or down...

- Remove clevis pin from bottom of cylinder. (Refer to Gas Cylinder Replacement).
- Loosen jam nut(s).
- Unscrew cylinder slightly.
- Tighten jam nut(s) / replace clevis pin / test.

If back section is 'locked up', or difficult to position...

- Remove clevis pin from bottom of cylinder. (Refer to Gas Cylinder Replacement).
- Loosen jam nut(s).
- Screw cylinder in slightly.
- Tighten jam nut(s) / replace clevis pin / test.



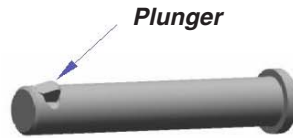
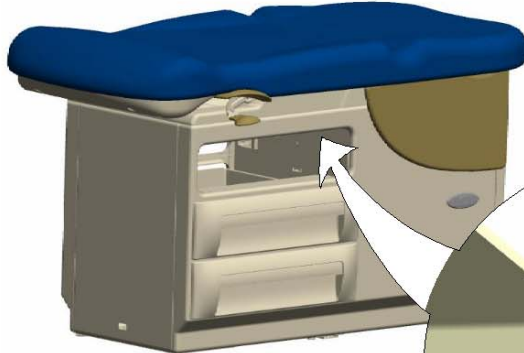
MA698201i

Back Release Mechanism - continued

Gas Cylinder Replacement

Removal

Step 1: Remove top drawer.
(Refer to: Section C - Drawers)

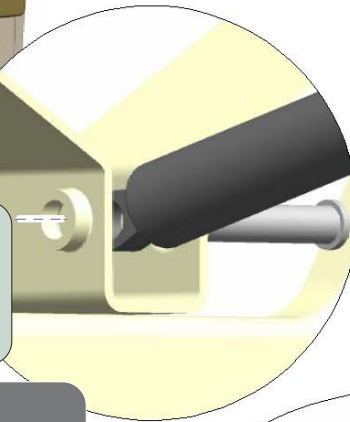


Plunger

Removal

Step 2: Remove clevis pin.

Note: Press the plunger on the clevis pin, then push pin thru spring & bracket.



Installation

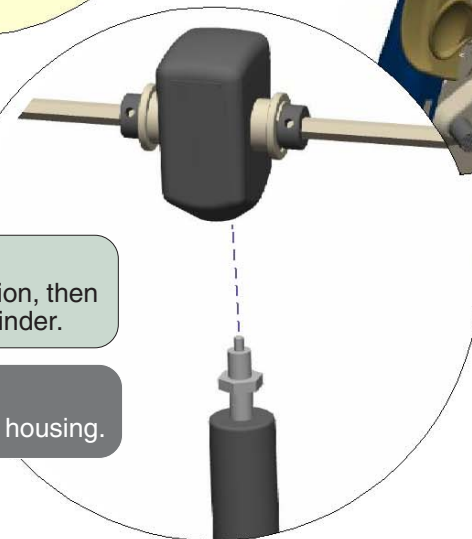
Step 2: Install clevis pin.

Removal

Step 3: Raise back section, then unscrew gas cylinder.

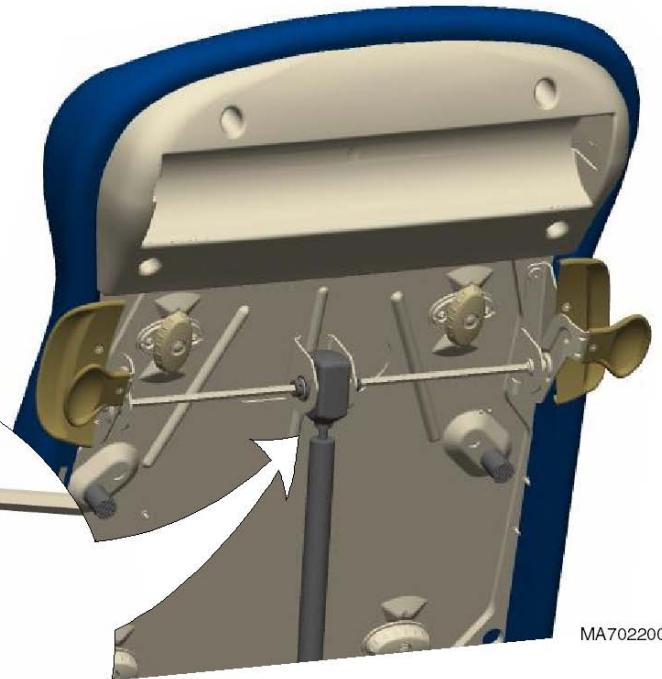
Installation

Step 1: Thread gas cylinder into housing.



Installation

Step 3: Perform Gas Cylinder Adjustment.
(Refer to: previous page)



MA702200i

Models:
Serial Numbers:

All
All

Back Release
Mechanism

Testing & Repair

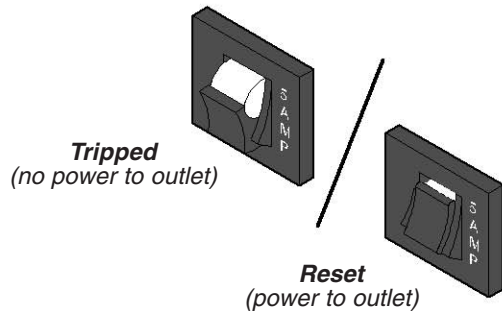
Table Receptacle System

Circuit Breakers

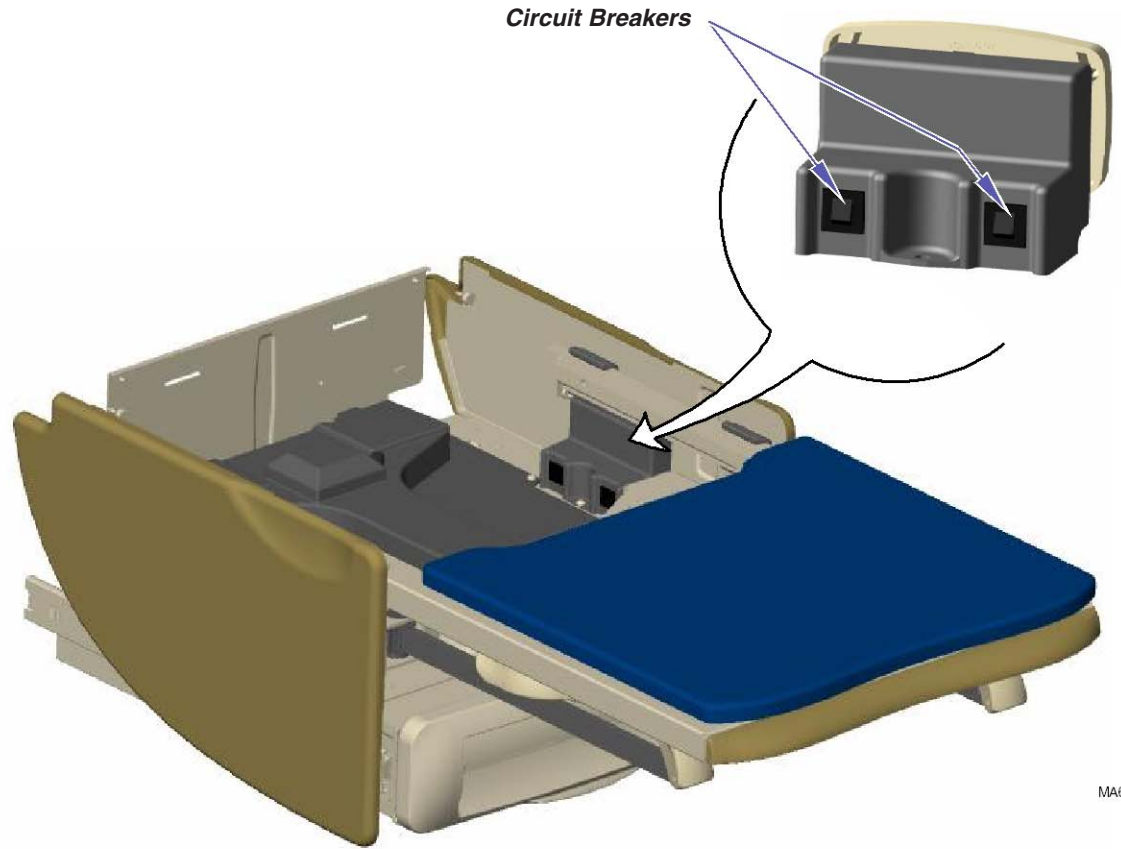
There are two receptacle circuit breakers to protect the system. If the receptacle's maximum load is exceeded, the circuit breakers interrupt power to the receptacle.

Maximum Load (both outlets combined) 5 amps

Table Receptacle System	Page
Circuit Breakers	B-4
Supply Voltage Test	B-5
Wiring Diagrams	D-1
Exploded Views / Part Numbers:	
120 V	E-19*
230 V	E-20



To reset circuit breaker(s)...
Push toggle switch inward.



MA6985001

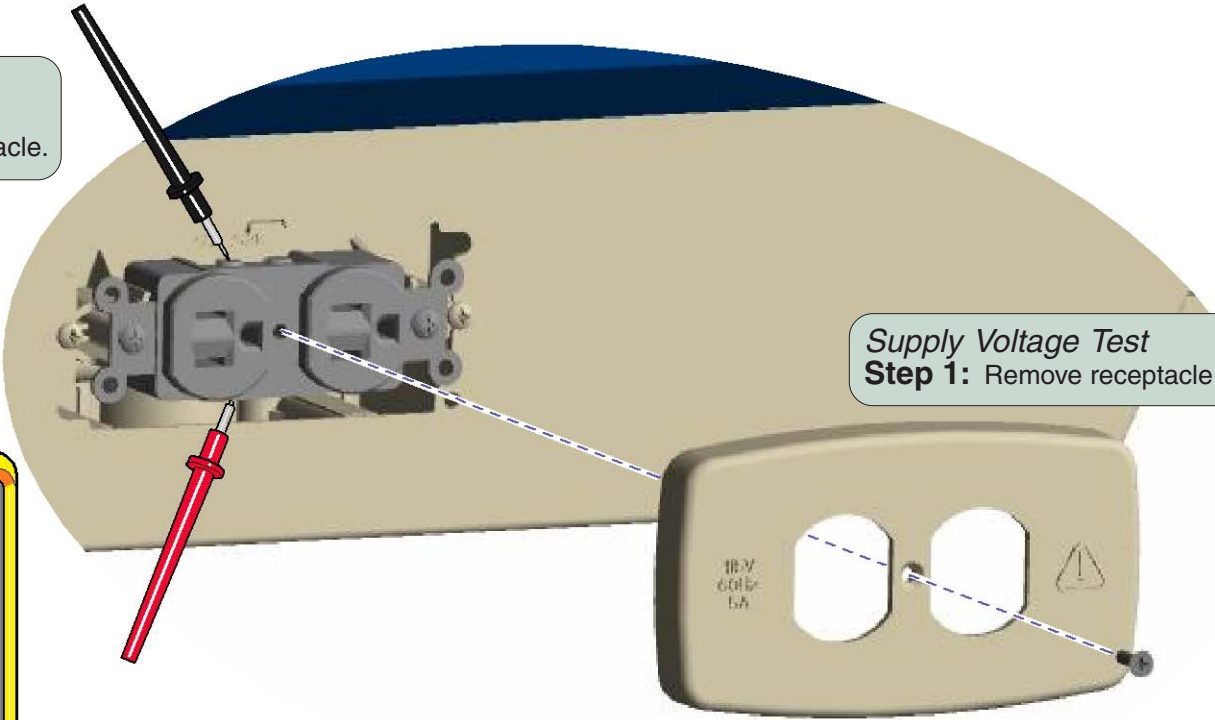
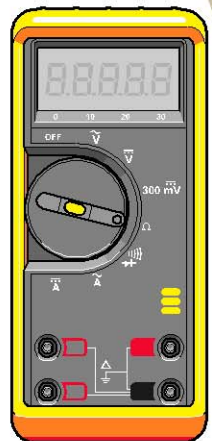
Table Receptacle System - continued

Supply Voltage Test

Refer to: Page
Wiring Diagrams D-1

Supply Voltage Test
Step 3: Place meter probes on wire connection screws of receptacle.

Supply Voltage Test
Step 2: Set meter to read VAC.



Supply Voltage Test
Step 1: Remove receptacle cover.

Supply Voltage Test
If reading is approx. 115 / 230 VAC (line voltage)...
Replace receptacle.

If there is no voltage present...
Check all wire connections from receptacle to supply source

MA699800i

Models:	204 (-001 thru -004, -006 & -007)	604 (-001 thru -003, -005 & -006)
Serial Numbers:	All	All

Table Receptacle System

Testing & Repair

Drawer Heater System

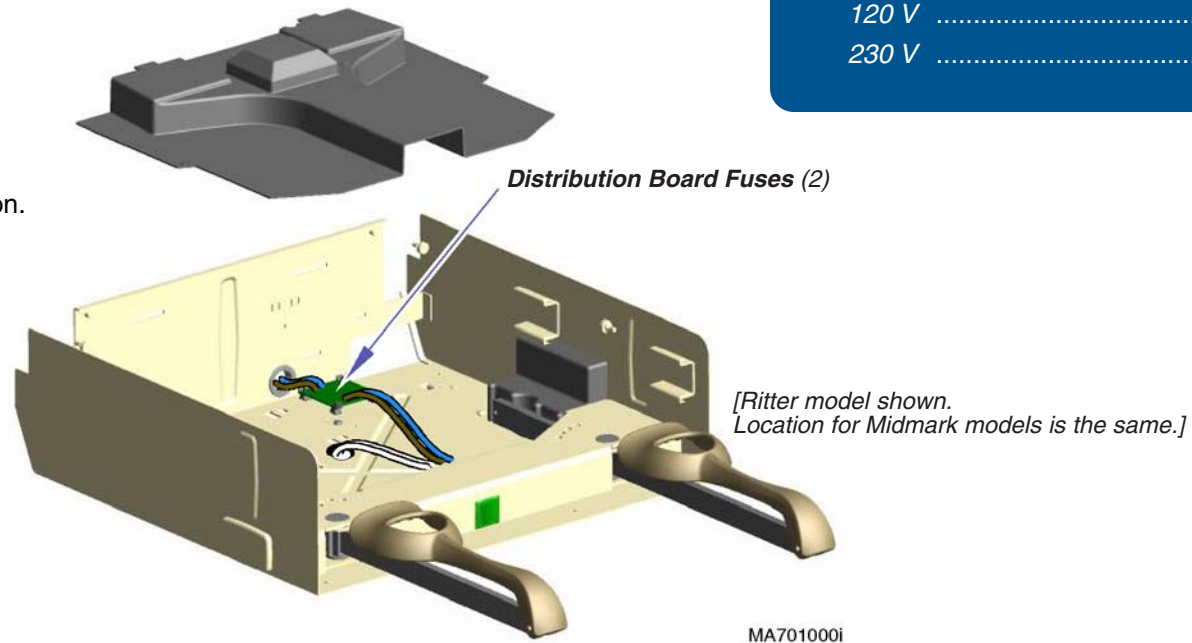
Use the table below to determine the required action:

<i>Problem</i>	<i>Required Action</i>
Drawer heater does <u>not</u> warm up, and switch does <u>not</u> illuminate.	Check Distr. Board Fuses Perform Supply Voltage Test
Drawer heater does <u>not</u> warm up, but switch <u>does</u> illuminate.	Perform Drawer Heater Plate Test
Drawer heater works properly, but switch does <u>not</u> illuminate.	Replace Drawer Heater Switch

Distribution Board Fuses

The power to the drawer heater switch flows thru the two distribution board fuses.

If either of these fuses are faulty, the switch will not illuminate & the heater will not function.



<u>Drawer Heater System</u>	<u>Page</u>
Distribution Board Fuses	B-6
Supply Voltage Test:	
204 (Ritter)	B-7
604 (Midmark)	B-8
Heater Switch Replacement:	
204 (Ritter)	B-9
604 (Midmark)	B-10
Heater Plate Test:	
204 (Ritter)	B-11
604 (Midmark)	B-12
Heater Plate Replacement	B-13
Wiring Diagrams	D-1
Exploded Views / Part Numbers:	
120 V	E-22
230 V	E-23

Drawer Heater System - continued

Supply Voltage Test - 204 (Ritter)

Refer to: [Page](#)
Wiring Diagrams D-1

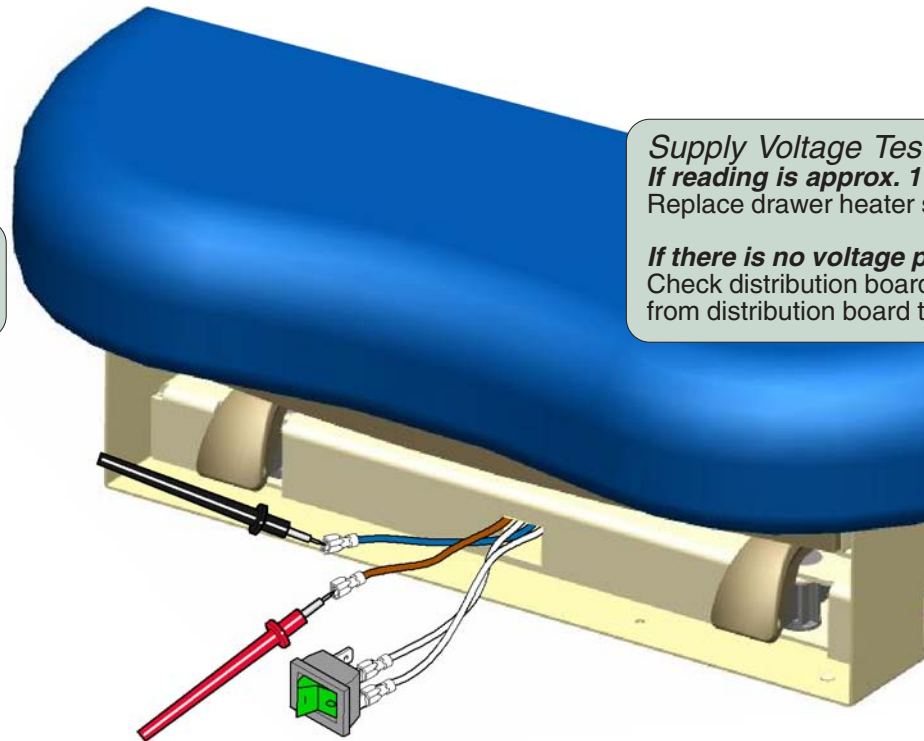
Supply Voltage Test

Step 1: Carefully pry heater switch out of upperwrap. Disconnect blue & brown wires.



Supply Voltage Test

Step 2: Set meter to read VAC. Place probes on blue & brown wires.



Supply Voltage Test

If reading is approx. 115 VAC...
Replace drawer heater switch.

If there is no voltage present...
Check distribution board fuses, and connections from distribution board to supply source.

MA699900i

Models: 204 (-002 & -004)
Serial Numbers: All

Drawer Heater System

Testing & Repair

Drawer Heater System - continued

Supply Voltage Test - 604 (Midmark)

Supply Voltage Test

Step 1: Remove stirrup guide.
(Refer to: Section C - Stirrup Guide)

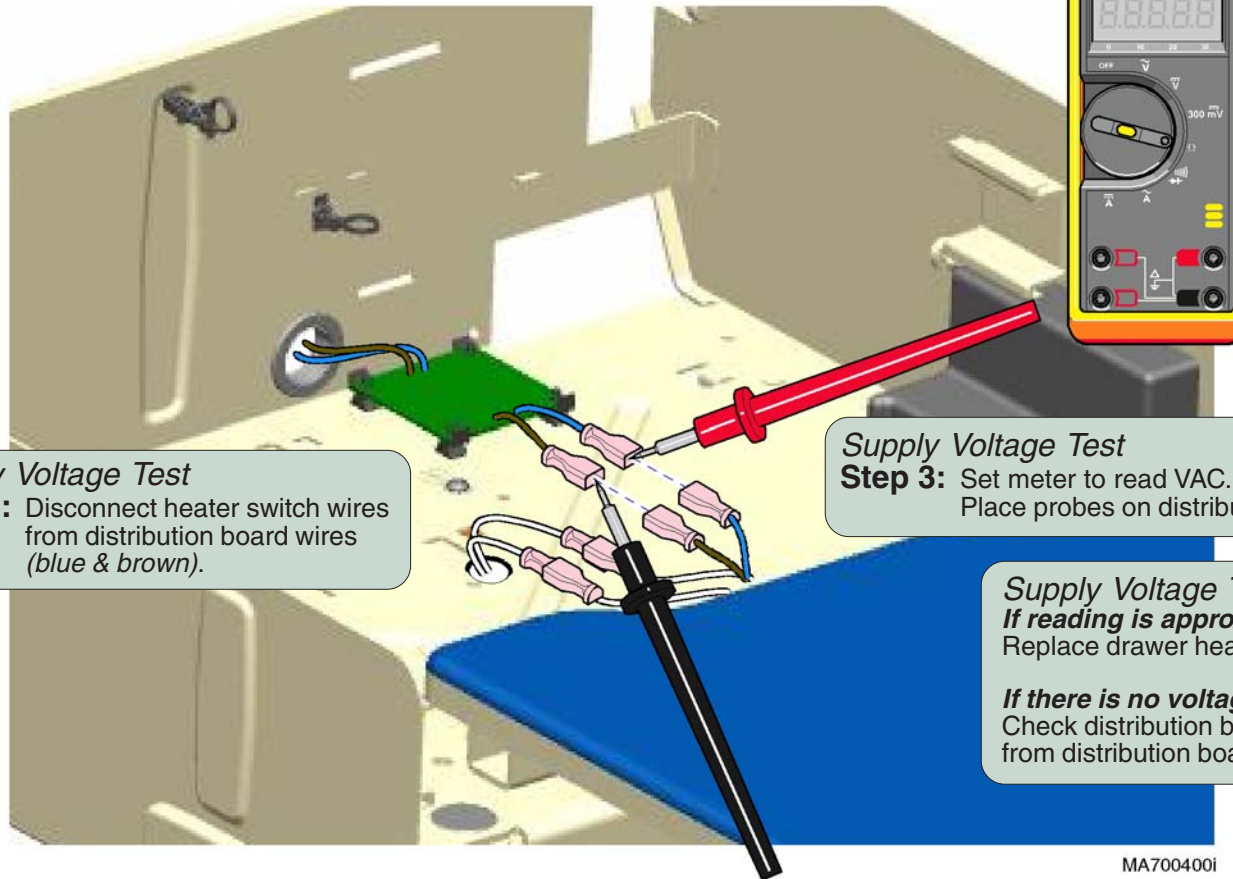
Refer to:

Page

Heater Switch Replacement B-9

Stirrup Guide Removal C-4

Wiring Diagrams D-1



Supply Voltage Test

Step 2: Disconnect heater switch wires from distribution board wires (blue & brown).

Supply Voltage Test

Step 3: Set meter to read VAC.
Place probes on distribution board wires (blue & brown).

Supply Voltage Test

If reading is approx. 115 VAC...
Replace drawer heater switch.

If there is no voltage present...

Check distribution board fuses, and connections from distribution board to supply source.

MA7004001

Drawer Heater System

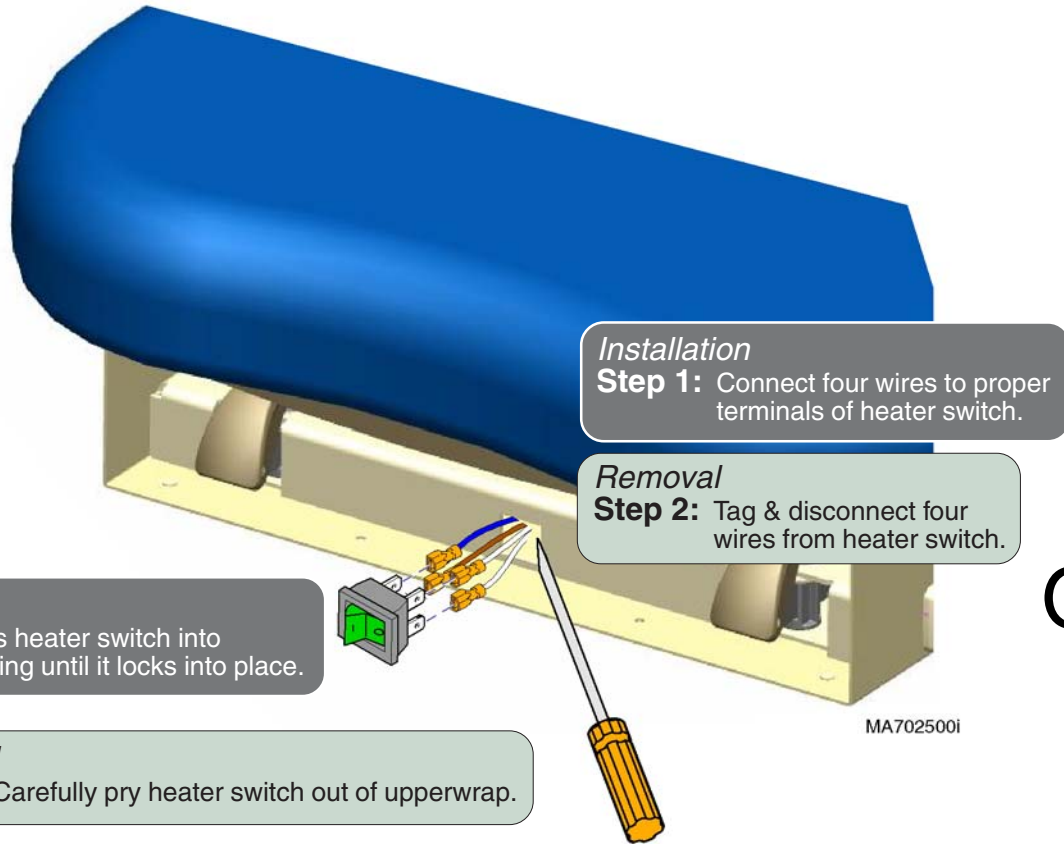
Models:
Serial Numbers:

604 (-002 & -003)
All

Drawer Heater System - continued

Heater Switch Replacement - 204 (Ritter models)

Refer to:	Page
Wiring Diagrams	D-1

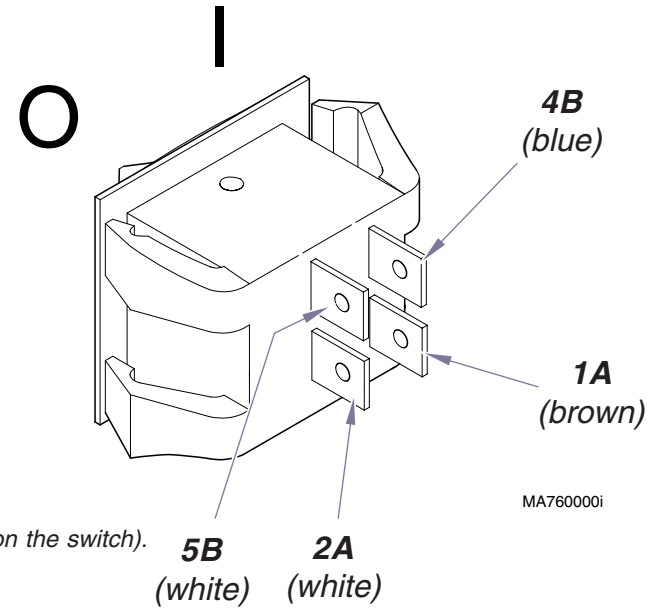


Installation
Step 1: Connect four wires to proper terminals of heater switch.

Removal
Step 2: Tag & disconnect four wires from heater switch.

Installation
Step 2: Press heater switch into opening until it locks into place.

Removal
Step 1: Carefully pry heater switch out of upperwrap.



(The switch terminals are labeled on the switch).

Models:	204 (all)
Serial Numbers:	All

Drawer Heater System

Testing & Repair

Drawer Heater System - continued

Heater Switch Replacement - 604 (Midmark models)

Removal

Step 1: Remove stirrup guide.
(Refer to: Section C - Stirrup Guide)

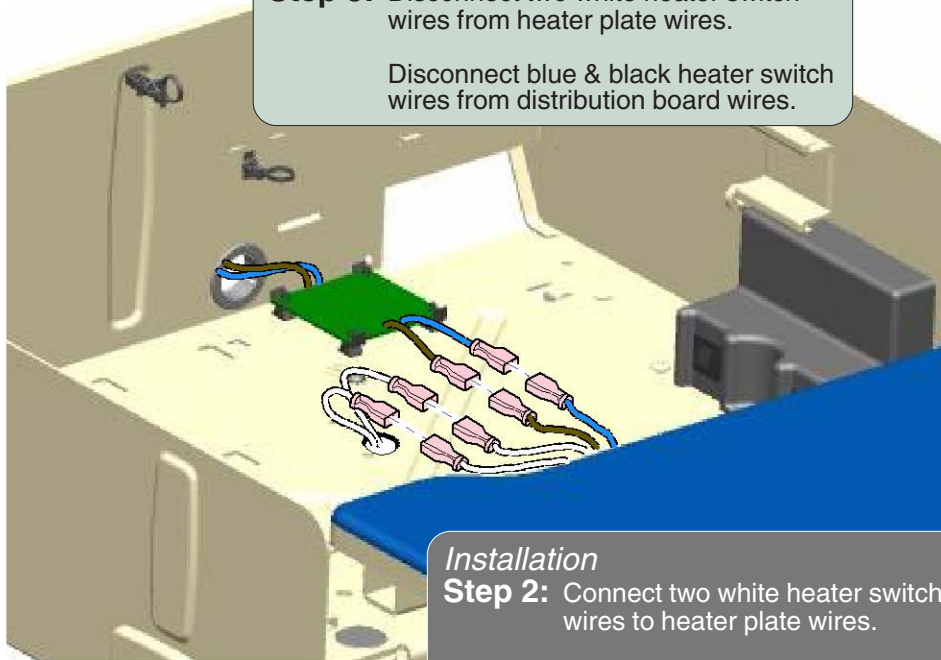
Removal

Step 2: Remove top drawer from foot end.
(Refer to: Section C - Drawers)

Removal

Step 3: Disconnect two white heater switch wires from heater plate wires.

Disconnect blue & black heater switch wires from distribution board wires.



Installation

Step 2: Connect two white heater switch wires to heater plate wires.

Connect blue & black heater switch wires to distribution board wires

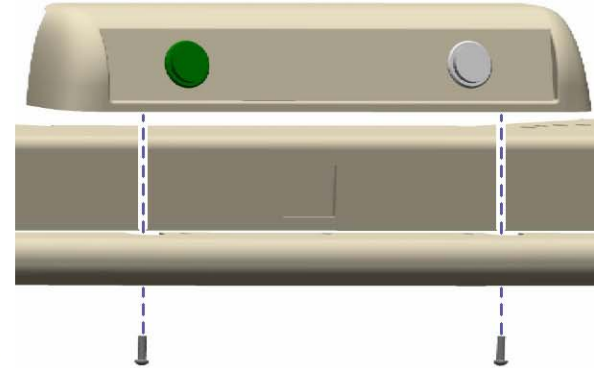
Refer to:

Page

Stirrup Guide Removal / Installation C-4

Drawer Removal / Installation C-5

Wiring Diagrams D-1

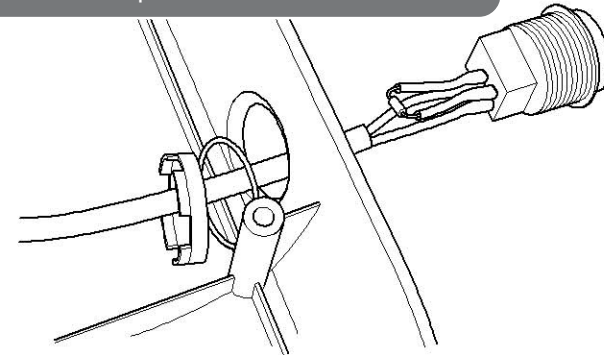


Removal

Step 4: Separate switch housing.
Remove drawer heater switch.

Installation

Step 1: Install drawer heater switch.
Secure switch housing w/ two screws.
Install top drawer.



MA700700i

Drawer Heater System - continued

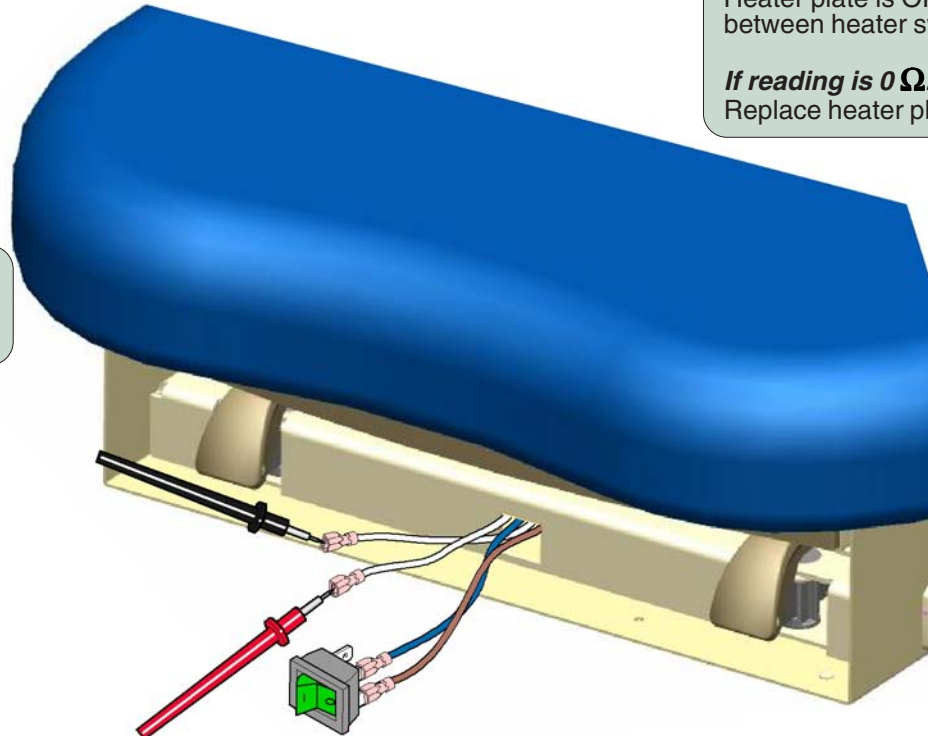
Heater Plate Test - 204 (Ritter)

Refer to:	Page
Heater Plate Replacement	B-13
Wiring Diagrams	D-1

Heater Plate Test
If reading is approximately 360 Ω ...
Heater plate is OK. Check connections between heater switch and heater plate.
If reading is 0 Ω ...
Replace heater plate.

Heater Plate Test

Step 1: Carefully pry heater switch out of upperwrap. Disconnect two white wires.



MA700400i

Heater Plate Test

Step 2: Set meter to 2K Ω .
Place probes on two white wires.

Models: 204 (-002 & -004)
Serial Numbers: All

Drawer Heater System

Testing & Repair

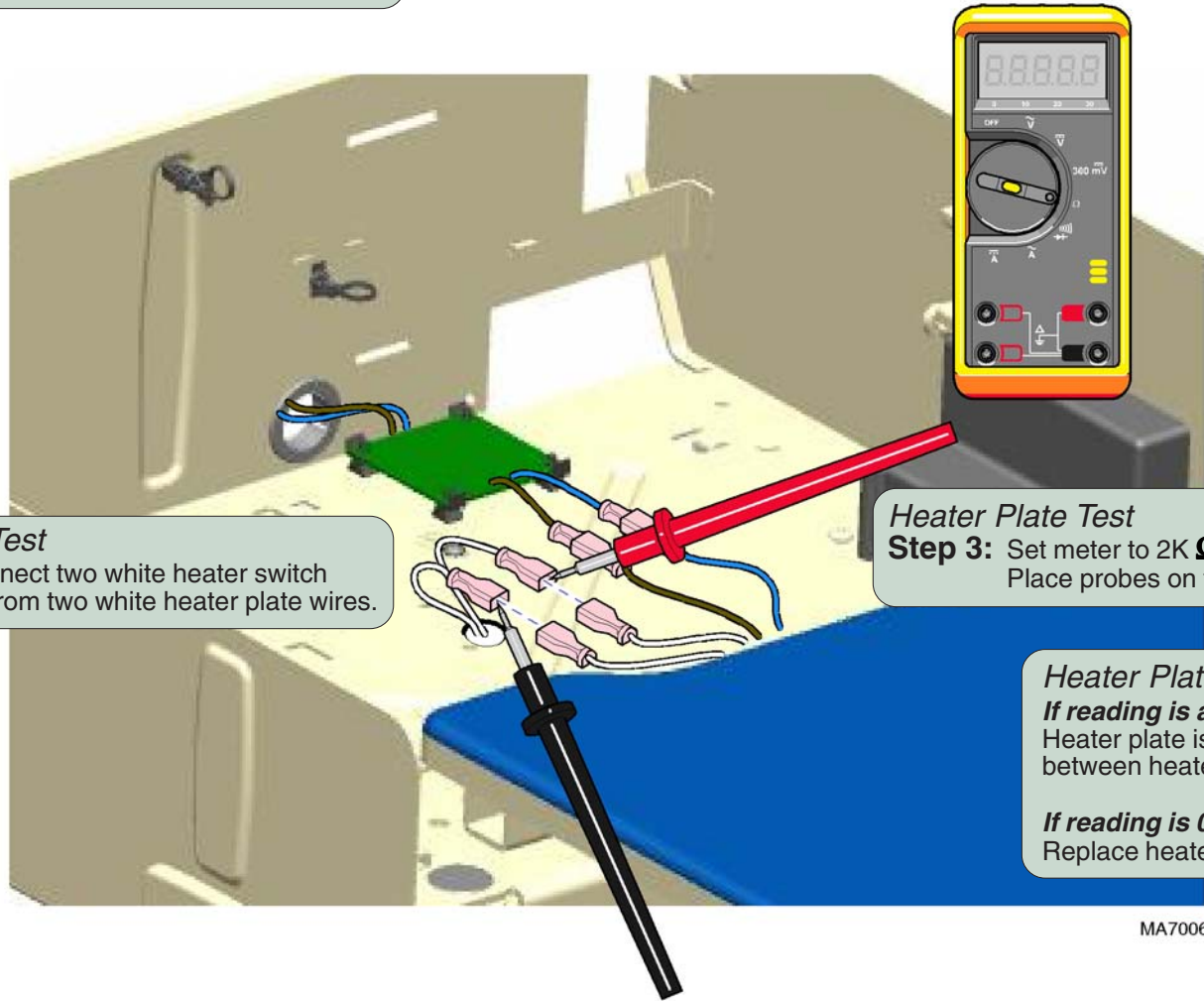
Drawer Heater System - continued

Heater Plate Test - 604 (Midmark)

Refer to:	Page
Stirrup Guide Removal	C-4

Heater Plate Test

Step 1: Remove stirrup guide.
(Refer to: Section C - Stirrup Guide)



Heater Plate Test

Step 2: Disconnect two white heater switch wires from two white heater plate wires.

Heater Plate Test

Step 3: Set meter to 2K Ω .
Place probes on two white heater plate wires.

Heater Plate Test

If reading is approximately 360 Ω ...
Heater plate is OK. Check connections between heater switch and heater plate.

If reading is 0 Ω ...
Replace heater plate.

MA700600i

Drawer Heater System - continued

Heater Plate Replacement

Removal

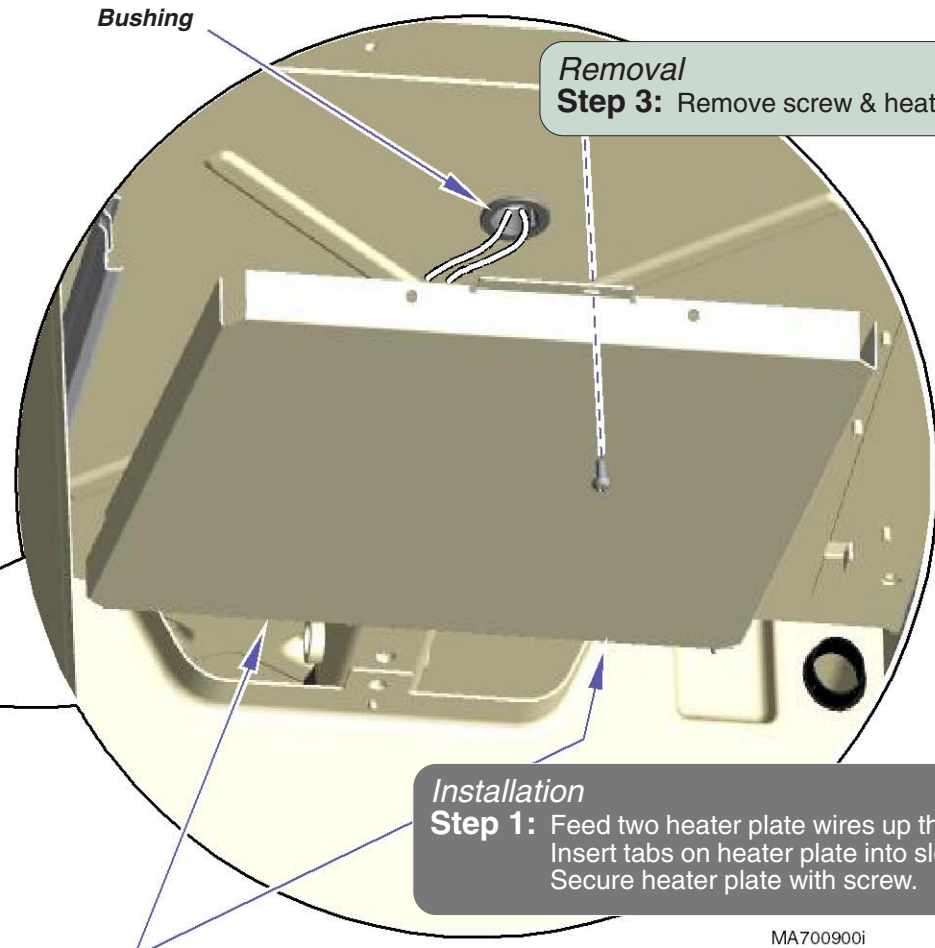
Step 1: Disconnect two white heater plate wires.
(Refer to: Section B - Drawer Heater Plate Test)

Installation

Step 2: Connect two white heater plate wires to drawer heater switch.
(Refer to: Section B - Drawer Heater Plate Test)

Removal

Step 2: Remove top drawer from foot-end.
(Refer to: Section C - Drawers)



Removal

Step 3: Remove screw & heater plate.

Installation

Step 1: Feed two heater plate wires up thru bushing. Insert tabs on heater plate into slots. Secure heater plate with screw.

MA700900i

MA700900i

Models:
Serial Numbers:

204 (-002 & -004)
All

604 (-002 & -003)
All

**Drawer Heater
System**

Testing & Repair

Upholstery Heater System

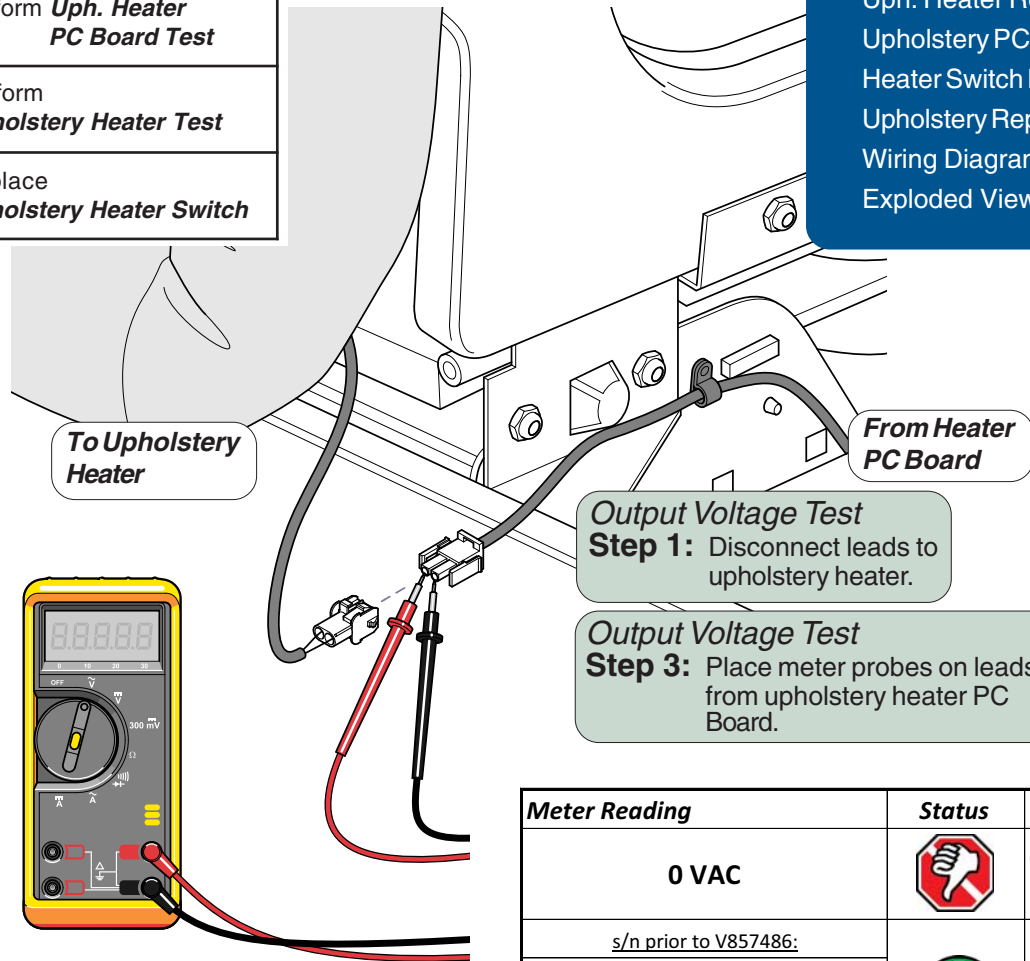
Use the table below to determine the required action:

Problem	Required Action
Uph. heater does <u>not</u> warm up, and switch does <u>not</u> illuminate.	Perform Uph. Heater PC Board Test
Upholstery heater does <u>not</u> warm up, but switch <u>does</u> illuminate.	Perform Upholstery Heater Test
Upholstery heater works properly, but switch does <u>not</u> illuminate.	Replace Upholstery Heater Switch

Upholstery Heater System	Page
Upholstery Heater PC Board Test:	
Output Voltage Test	B-14
Supply Voltage Test	B-15
Uph. Heater Resistance Test	B-16
Upholstery PC Board Replacement	B-17
Heater Switch Replacement	B-18
Upholstery Replacement	C-3
Wiring Diagrams	D-1
Exploded Views / Part Numbers	E-24

Upholstery Heater PC Board Test

(Output Voltage Test)



Output Voltage Test Step 2: Set meter to VAC.

Output Voltage Test Step 4: Press Upholstery (Green) Heater switch ON.

Output Voltage Test Step 1: Disconnect leads to upholstery heater.

Output Voltage Test Step 3: Place meter probes on leads from upholstery heater PC Board.

Meter Reading	Status	Required Action
0 VAC		Check supply voltage to heater PC board
<u>s/n prior to V857486:</u> 14-15 VAC		Check upholstery heater.
<u>s/n V857487 to present:</u> 7-8 VAC		

Upholstery Heater System - continued

Upholstery Heater PC Board Test

(Supply Voltage Test)

Refer to:	Page
Stirrup Guide Removal	C-4
Wiring Diagrams	D-1

Supply Voltage Test

Step 1: Remove stirrup guide.
(Refer to: Section C - Stirrup Guide)

Note

For clarity, the illustration shows only the wires being tested.

Supply Voltage Test

Step 2: Disconnect blue & brown wires from uph. PC board.

Supply Voltage Test

Step 3: Set meter to read VAC.



Supply Voltage Test

Step 4: Place probes on blue & brown wires.

Supply Voltage Test

If reading is approximately 120 VAC...
Check wire connections & F1 / F2 fuses on Uph. PC board.

If reading is 0 VAC...
Check connections from uph. PC board to supply source.

MA701800i

Models: 604 (-003)
Serial Numbers: All

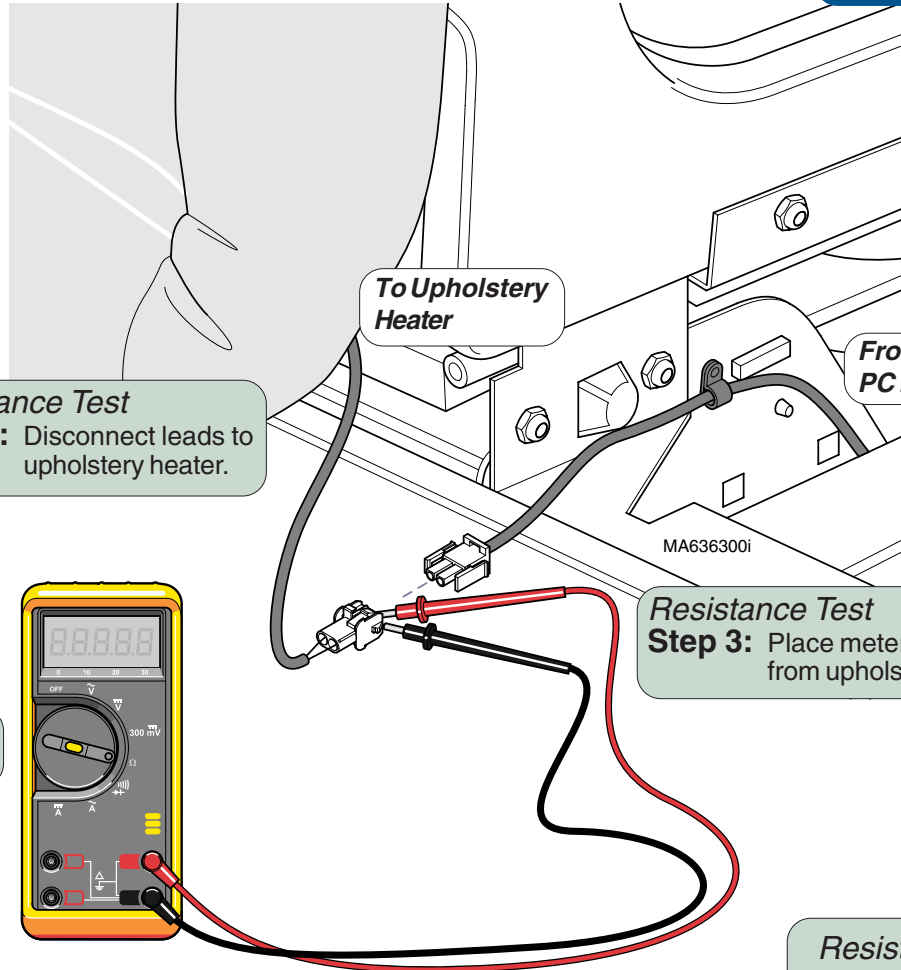
Upholstery Heater System

Testing & Repair

Upholstery Heater System - continued

Uph. Heater Resistance Test

Refer to:	Page
Heater Switch Replacement	B-18
Upholstery Replacement	C-3
Exploded View / Parts List	E-24



Resistance Test
Step 1: Disconnect leads to upholstery heater.

Resistance Test
Step 2: Set meter to 200 Ω.

Resistance Test
Step 3: Place meter probes on leads from upholstery heater.

Resistance Test
If reading is approximately 0 Ω...
Replace upholstered top.
If reading is approx. 3 - 4 Ω...
Check heater switch, replace switch if necessary.

Upholstery Heater System - continued

Refer to:	Page
Stirrup Guide Removal	C-4
Wiring Diagrams	D-1
Exploded View / Parts List	E-24

Upholstery PC Board Replacement

Removal

Step 1: Remove stirrup guide.
(Refer to: Section C - Stirrup Guide)

Removal

Step 2: Tag & disconnect all wiring from upholstery PC board.

Installation

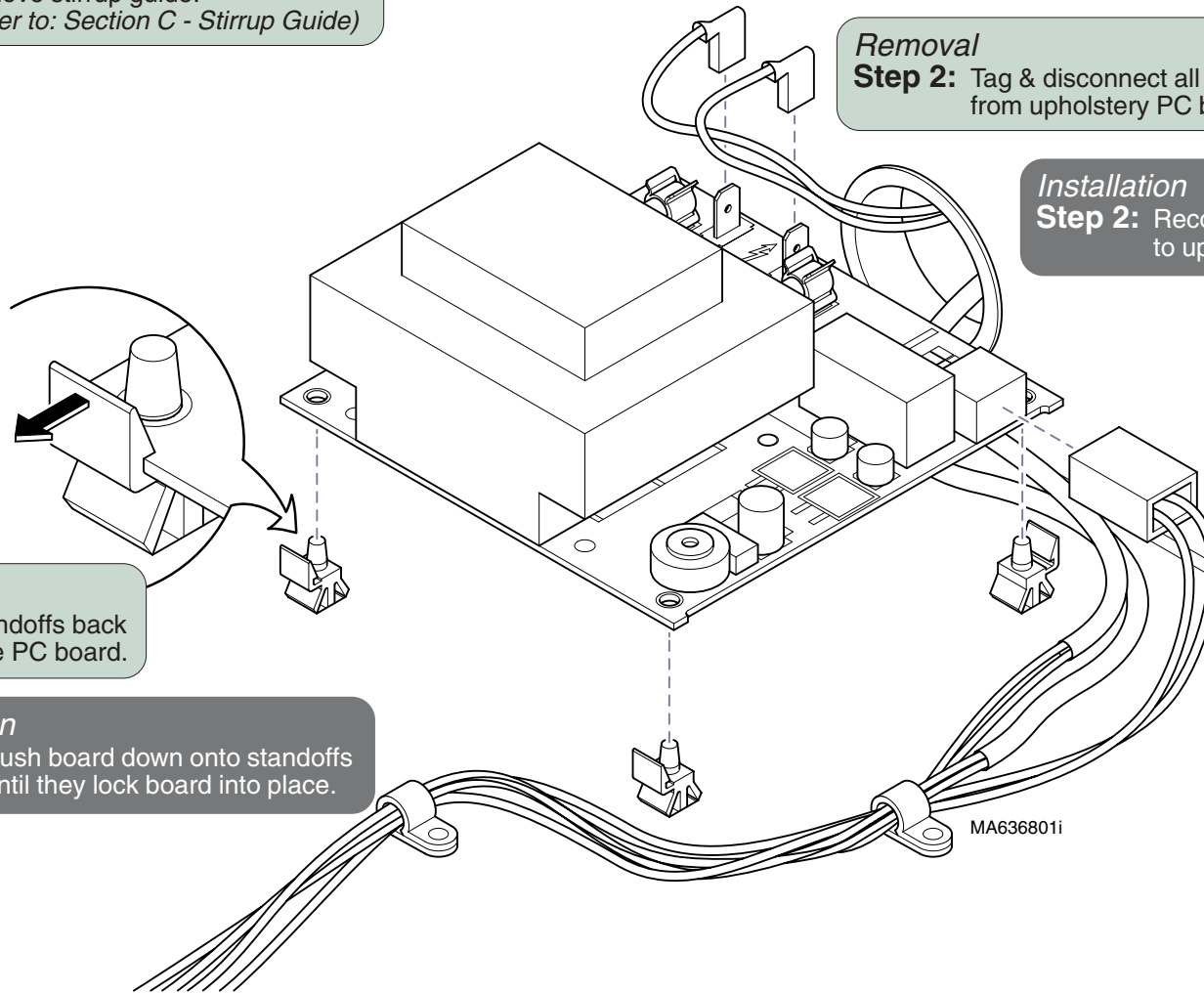
Step 2: Reconnect all wiring to uph. PC board

Removal

Step 3: Push standoffs back & remove PC board.

Installation

Step 1: Push board down onto standoffs until they lock board into place.



Models:
Serial Numbers:

604 (-003)
All

Upholstery Heater System

Testing & Repair

Upholstery Heater System - continued

Heater Switch Replacement

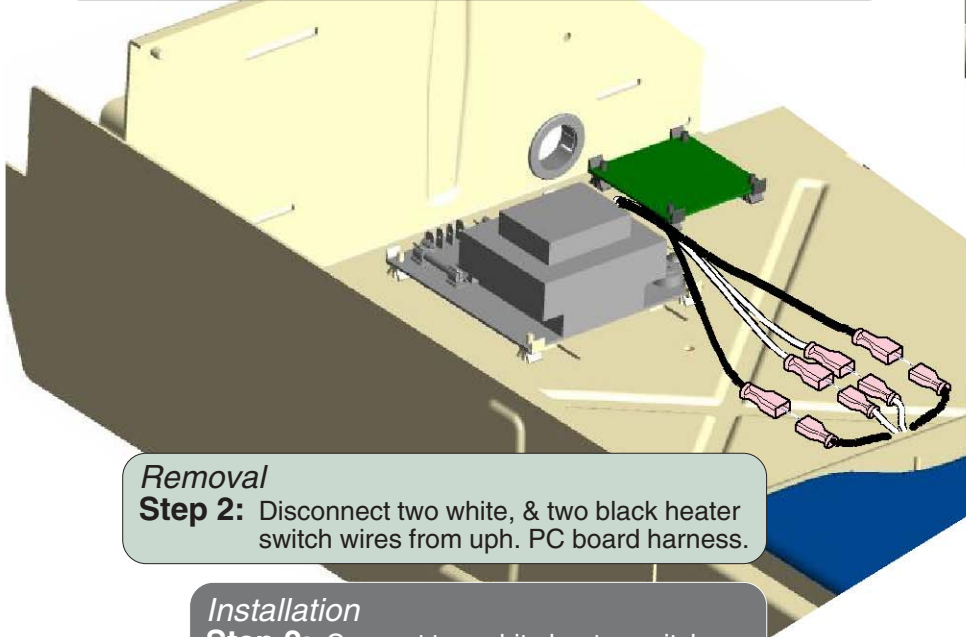
Refer to:	Page
Stirrup Guide Removal	C-4
Wiring Diagrams	D-1
Exploded View / Parts List	E-24

Removal

Step 1: Remove stirrup guide.
(Refer to: Section C - Stirrup Guide)

Note

For clarity, the illustration shows only the wire harness being tested.



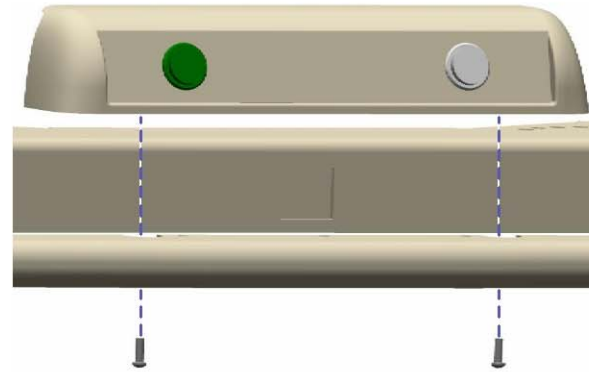
Removal

Step 2: Disconnect two white, & two black heater switch wires from uph. PC board harness.

Installation

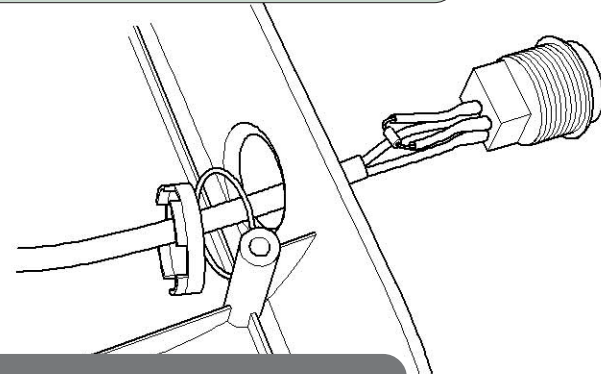
Step 2: Connect two white heater switch wires to heater plate wires.

Connect blue & black heater switch wires to distribution board wires



Removal

Step 3: Remove top drawer (foot-end).
Separate switch housing.
Remove upholstery heater switch.



Installation

Step 1: Install drawer heater switch.
Secure switch housing w/ two screws.
Install top drawer.

MA702100i

This page intentionally left blank.

Models: |
Serial Numbers: |

**Upholstery Heater
System**

© Midmark Corporation 2005 SF-1864

Testing & Repair

Stirrups

Replacement

Stirrups

Page

Replacement B-20

Exploded Views / Part Numbers E-18

To install stirrup...

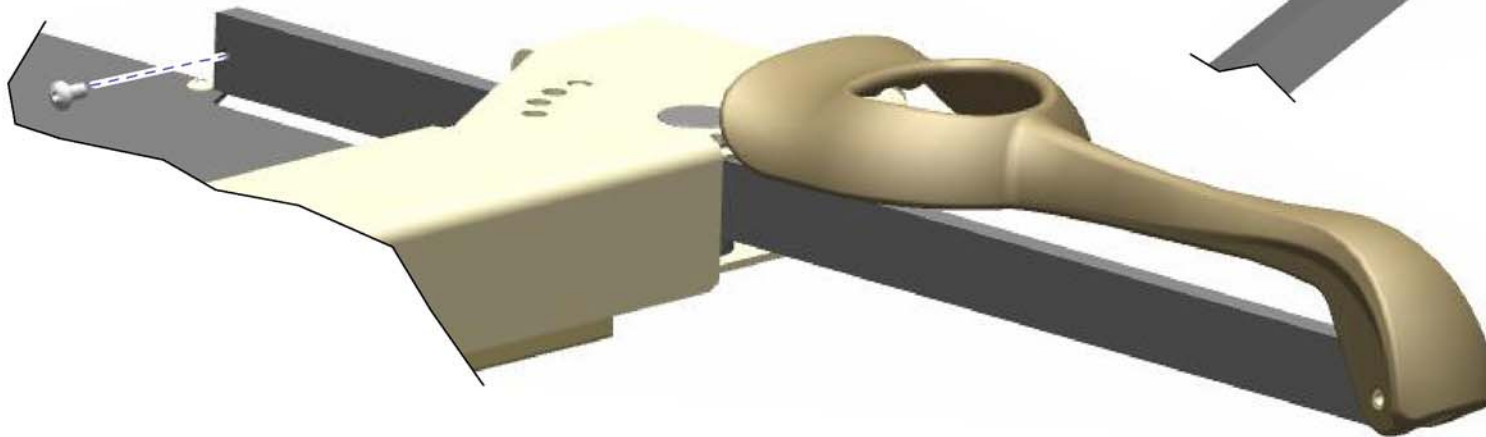
- A. Lift seat section.
- B. Slide stirrup bar thru pivot boss & guide bracket.
- C. Install screw in stirrup bar.

To remove stirrup...

- A. Lift seat section.
- B. Remove screw from stirrup bar.
- C. Pull stirrup out.

Pivot Boss

Guide Bracket



MA700800i

Footrest Extension

Replacement

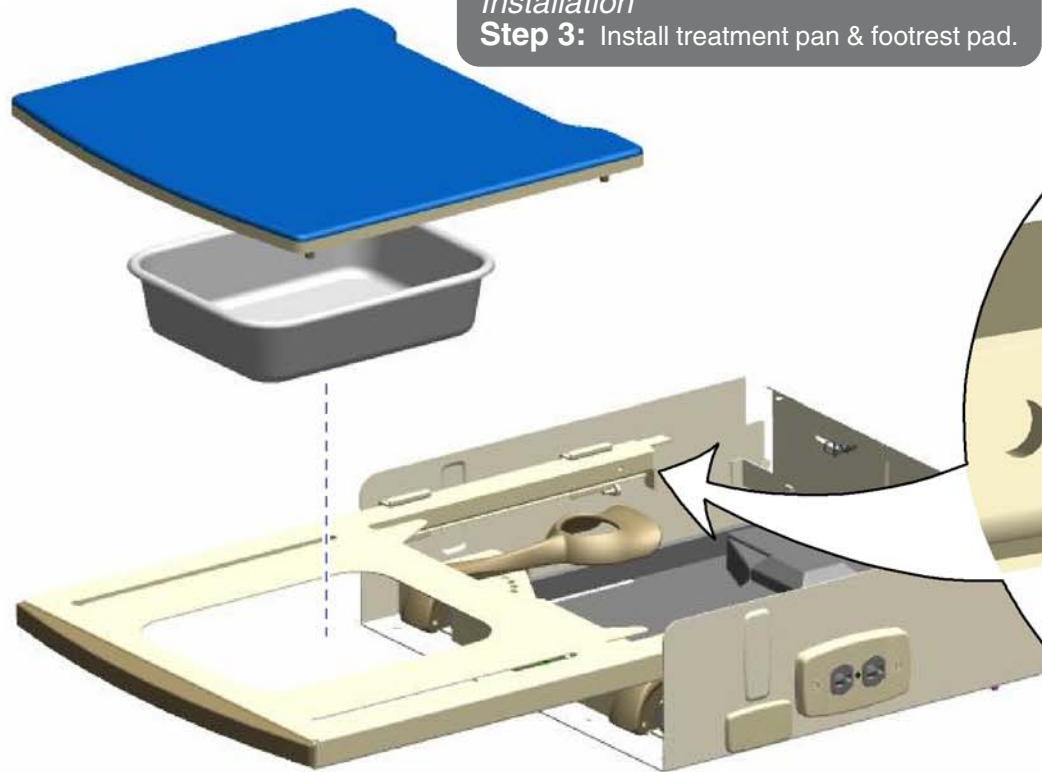
<u>Footrest Extension</u>	<u>Page</u>
Replacement	B-21
Exploded Views / Part Numbers:	
204 (Ritter)	E-10
604 (Midmark)	E-11

Removal

Step 1: Remove footrest pad & treatment pan.

Installation

Step 3: Install treatment pan & footrest pad.



Removal Step 2: Using pliers, bend bottom tabs (one on each side) upward.

Installation Step 2: Using pliers, bend bottom tabs (one on each side) down.

MA701100i

Removal Step 3: Pull footrest extension out of upperwrap.

Installation Step 1: Slide footrest extension into upperwrap.

Testing & Repair

Foot Step

Replacement - 204 (Ritter models)

Removal

Models w/Pass-Thru Drawers

Step 1: Push bottom side drawer inward to access clevis pin.
Repeat from opposite side of table.

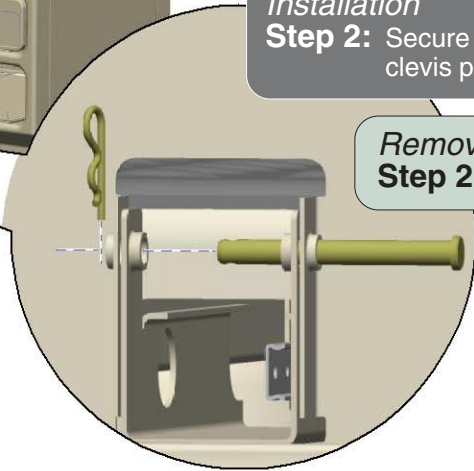


Installation

Step 2: Secure drawer with two clevis pins & cotter rings.

Removal

Step 2: Remove two clevis pins.



Removal

Step 3: Remove foot step.

Installation

Step 1: Slide foot step into table.



Foot Step

Page

Replacement:

204 (Ritter) B-22

604 (Midmark) B-23

Drawer Removal / Installation C-5

Exploded Views / Part Numbers E-17

Removal

Models w/Bulk Storage

Step 1: Remove access panel.



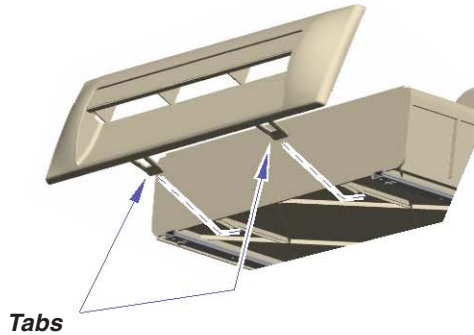
MA702600i

Foot Step - continued

Replacement - 604 (Midmark models)

Removal

Step 1: Remove drawer front from bottom side drawer.
(Pull tabs down to release)



Installation

Step 4: Install drawer front.

Installation

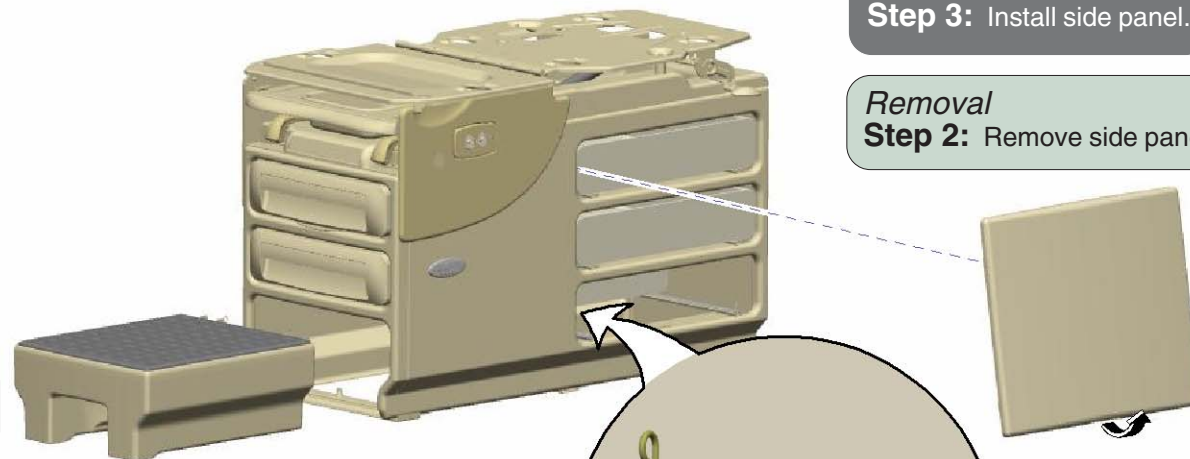
Step 3: Install side panel.

Removal

Step 2: Remove side panel.

Installation

Step 1: Slide foot step into table.



Removal

Step 3: Push bottom side drawer inward.
Remove clevis pin.

Installation

Step 2: Secure drawer with two
clevis pins & cotter rings.

Removal

Step 4: Repeat Step 4 from opposite side of table.
Remove foot step.

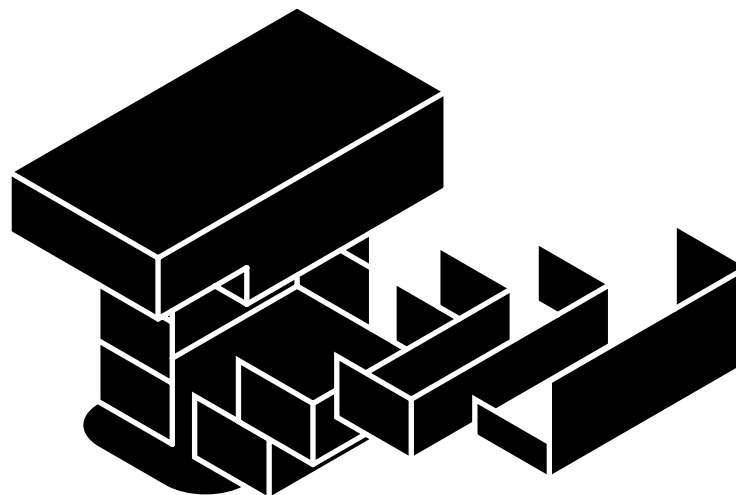
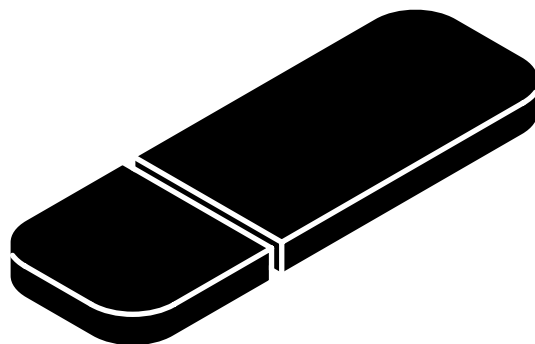
MA746800i

Models:
Serial Numbers:

604
All

Foot Step

Access Procedures



<u>Removing & Installing:</u>	<u>Page</u>
Upholstery:	
204 (Ritter)	C-2
604 (Midmark)	C-3
Stirrup Guide	C-4
Drawers:	
204 (Ritter)	C-5
604 (Midmark)	C-6
Color Insert Replacement	C-7
Reversing Drawers (604 <i>only</i>)	C-8

Access Procedures

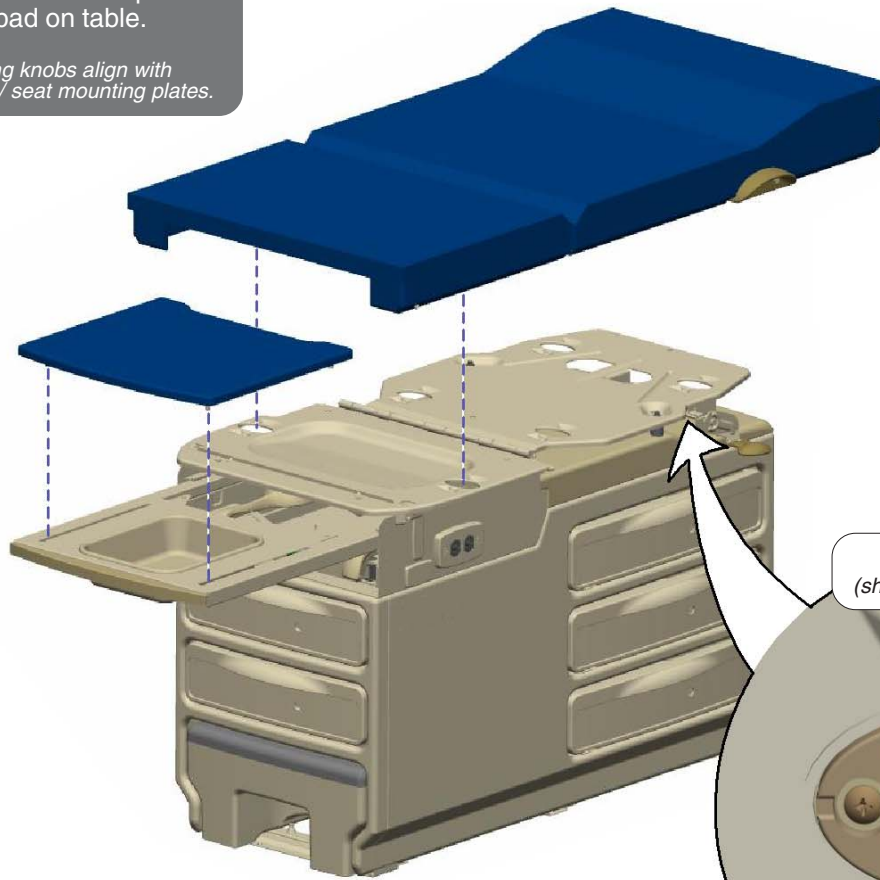
Upholstery

Removal / Installation - 204 (Ritter)

Refer To:	Page
Exploded Views / Part Numbers:	
Soft Touch	E-5
Seamless	E-6

Installation
Step 1: Position upholstered top & footrest pad on table.

Note: Be sure locking knobs align with holes in back / seat mounting plates.

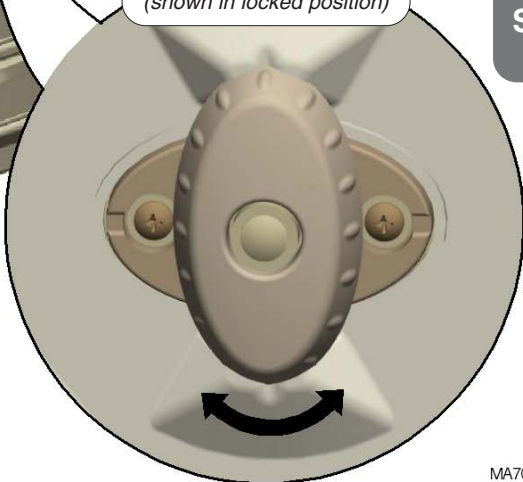


Removal
Step 2: Remove upholstered top & footrest pad.

Removal
Step 1: Rotate all locking knobs to unlocked position.

Note: There are four locking knobs under back section, and two knobs under seat section.

Locking Knob
(shown in locked position)



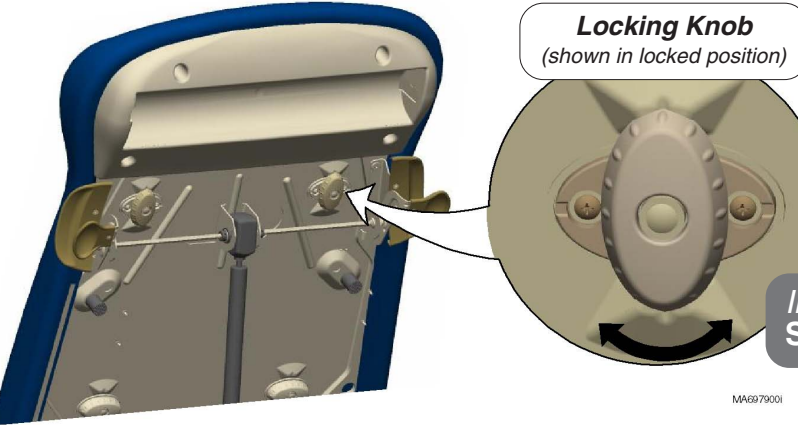
Installation
Step 2: Rotate locking knobs to locked position.

MA7038001

Access Procedures

Upholstery

Removal / Installation - 604 (Midmark)



Locking Knob
(shown in locked position)

Removal
Step 1: Rotate all locking knobs to unlocked position.

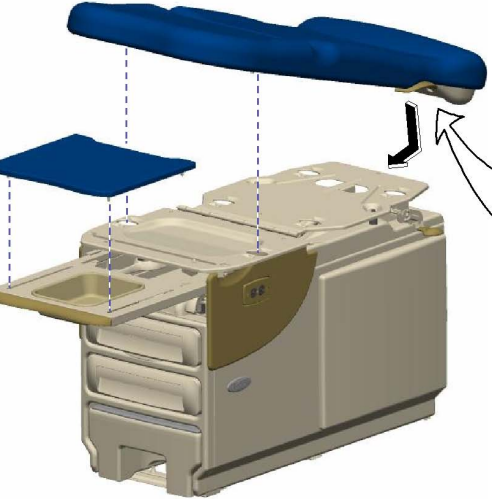
Note: There are four locking knobs under back section, and two knobs under seat section.

Installation
Step 3: Rotate locking knobs to locked position.

MA6979001

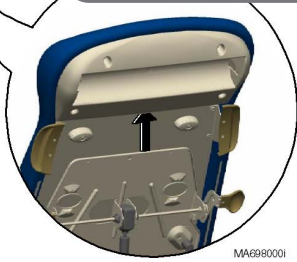
Removal
Step 3: Remove upholstered top & footrest pad.

Note: Slide upholstery up to remove from back support plate.



Installation
Step 1: Position upholstered top & footrest pad on table.

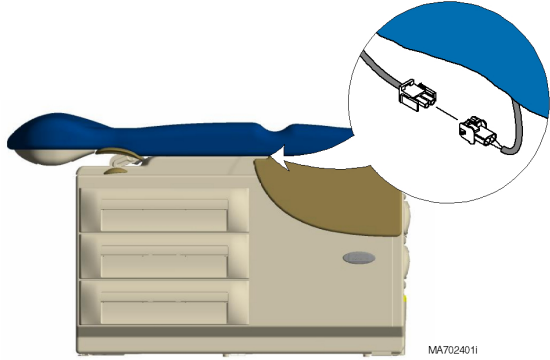
Note: Back support plate must slide under paper roll holder.
Be sure locking knobs align with holes in back / seat mounting plates.



MA6990001

Refer To:	Page
Exploded Views / Part Numbers:	
Premium	E-7
Ultra-Premium	E-8

Step 2 applies only to models with optional upholstery heater.



MA7024011

Removal
Step 2: Disconnect upholstery heater harness.

Installation

Equipment Alert
Be sure harness is not pinched between upholstery & upperwrap.

Step 2: Connect upholstery heater harness.

Models: 604 (all)
Serial Numbers: All

Upholstery - 604

Access Procedures

Stirrup Guide

Removal / Installation



Caution

Unplug power cord before removing stirrup guide.

Refer To:

Page

Exploded Views / Part Numbers E-18

Removal

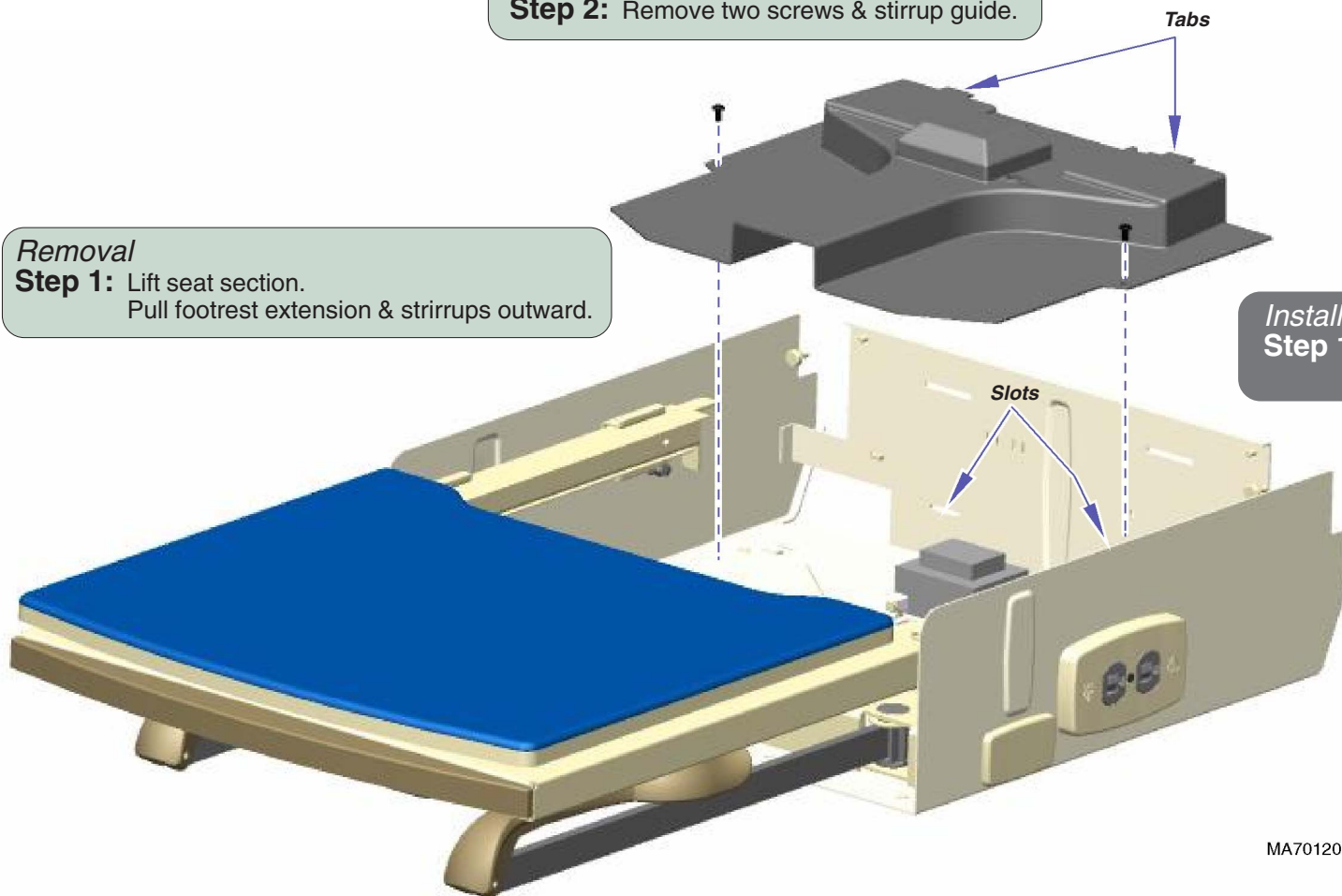
Step 2: Remove two screws & stirrup guide.

Removal

Step 1: Lift seat section.
Pull footrest extension & stirrups outward.

Installation

Step 1: Insert stirrup guide tabs into slots.
Secure stirrup guide w/ two screws.

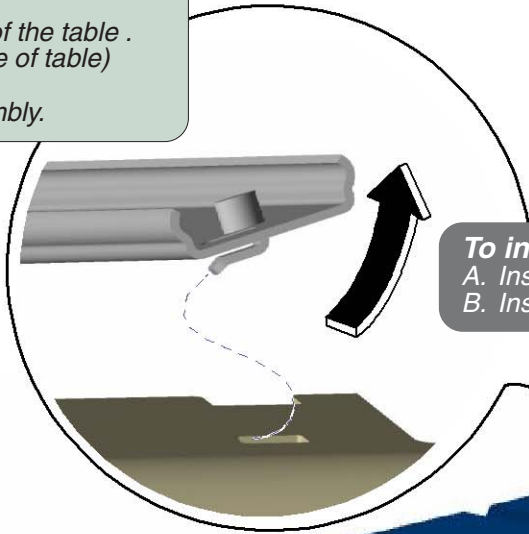


MA701200i

Drawers

Removal / Installation - 204 (Ritter)

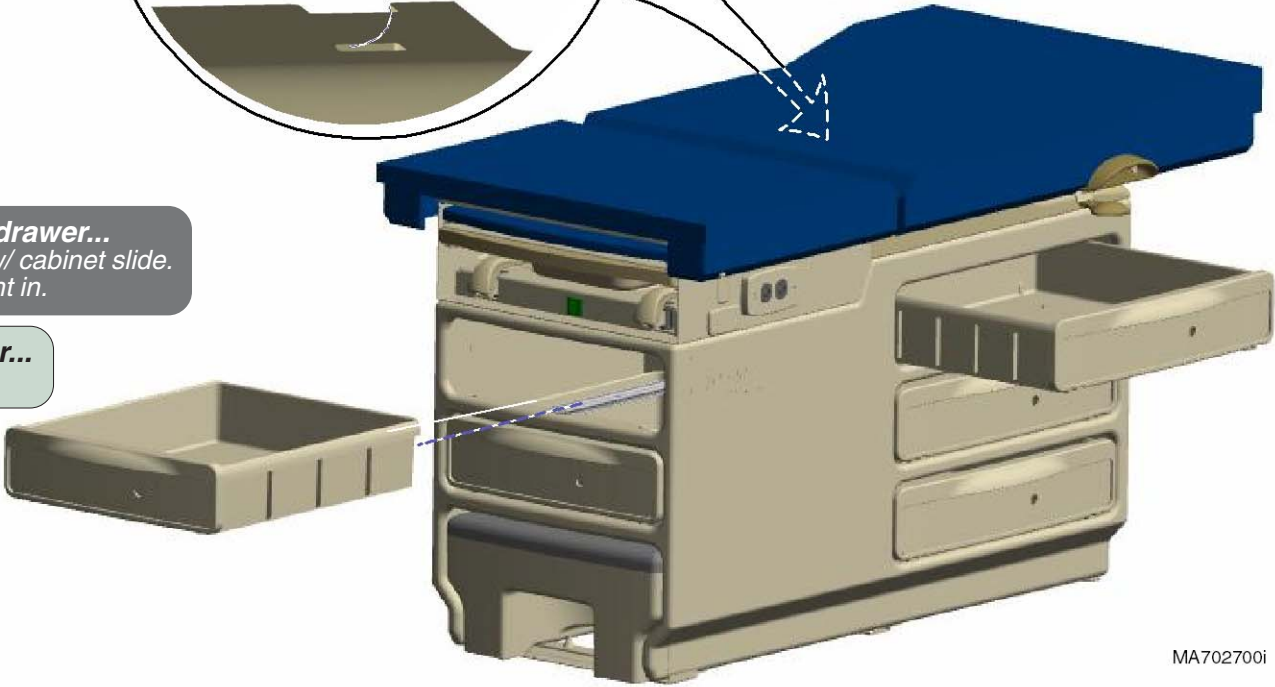
To remove side drawer...
A. Pull drawer out from the left side of the table .
B. Grab drawer slides (from right side of table) and twist while lifting upward.
C. Remove side drawer / slide assembly.



To install side drawer...
A. Insert drawer / slide assembly into cabinet.
B. Insert two drawer slide tabs into mounting holes.

To install foot end drawer...
A. Align drawer slide w/ cabinet slide.
B. Push drawer straight in.

To remove foot end drawer...
Pull drawer straight out.



Drawers	Page
Removal / Installation:	
204 (Ritter)	C-5
604 (Midmark)	C-6
Color Insert Replacement	C-7
Reversing Drawers (604 <u>only</u>)	C-8
Exploded Views / Part Numbers:	
204 (Ritter)	E-14
604 (Midmark)	E-15

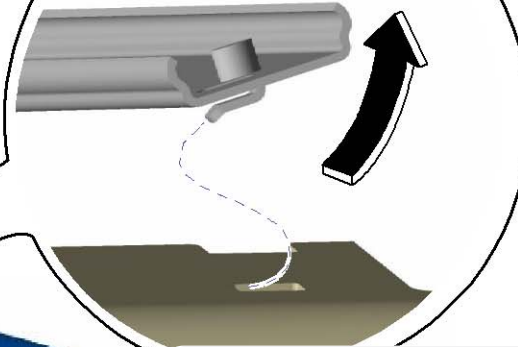
Access Procedures

Drawers - continued

Removal / Installation - 604 (Midmark)

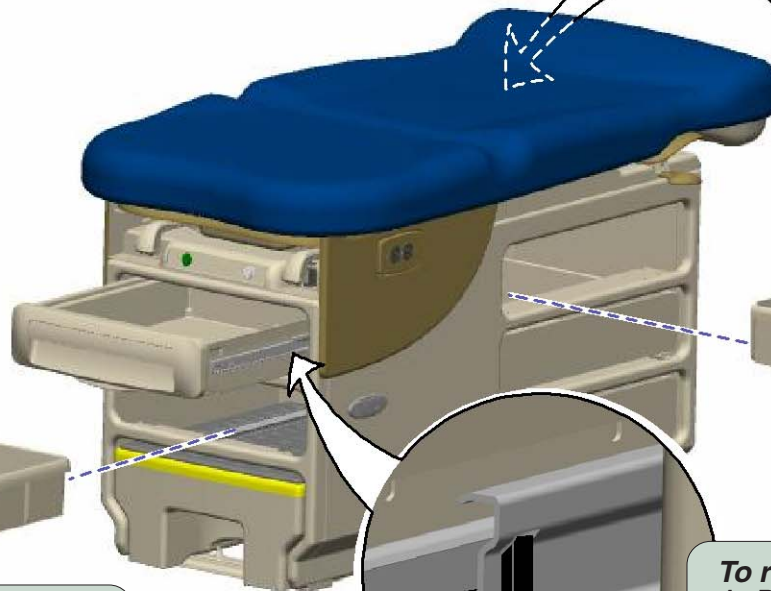
To remove side drawer...

- Remove side panel & drawer front.
(Refer to Section C: Reversing Drawers)
- Grab drawer slides (from right side of table) and twist while lifting upward.
- Remove side drawer / slide assembly.



To install side drawer...

- Insert drawer / slide assembly into cabinet.
- Insert two drawer slide tabs into mounting holes.
- Install drawer front & side panel.



MA706200i

- #### To remove foot end drawer...
- Pull drawer straight out.

- #### To install foot end drawer...
- Align drawer slide w/ cabinet slide.
 - Push drawer straight in.



To remove Exam Assistant™ drawer...

- Press black tab on right slide UP, and press black tab on left slide DOWN.
- Pull drawer straight out.

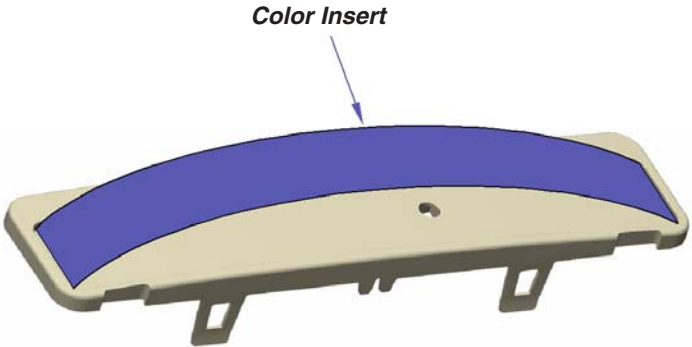
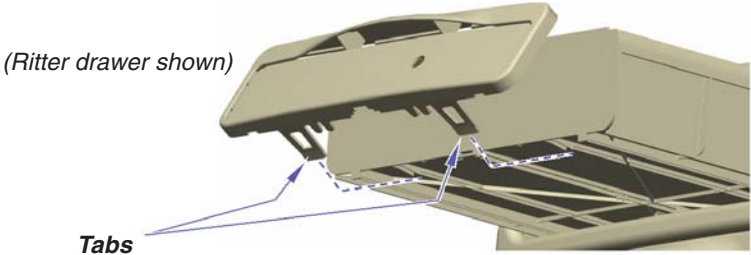
To install Exam Assistant™ drawer...

- Align drawer slides w/ cabinet slides.
- Push drawer straight in.

Drawers - continued

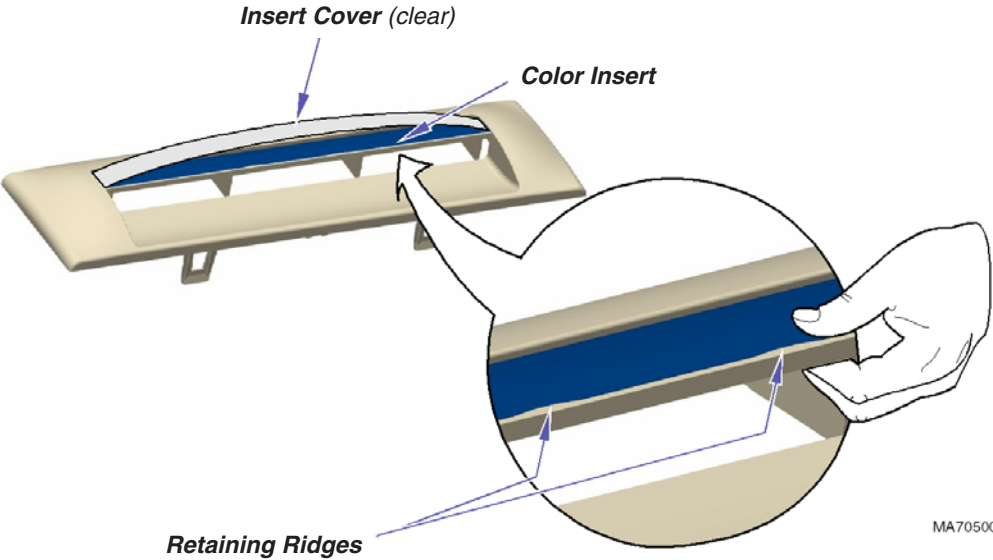
Color Insert Replacement

To remove Ritter / Midmark drawer inserts...
A. Remove drawer front. (Pull tabs down to release)
B. Push insert out thru hole in back.



MA705100i

To install Ritter drawer inserts...
A. Remove drawer front. (Pull tabs down to release)
B. Install color insert. (Insert ends one at a time)



MA705000i

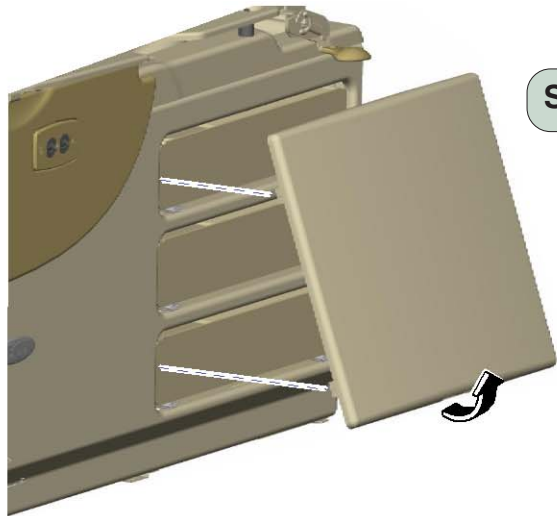
To install Midmark drawer inserts...
A. Remove drawer front. (Pull tabs down to release)
B. Remove clear insert cover.
C. Position color insert.
D. Replace insert cover. (Insert ends into slots one at a time).

Note: To lock clear insert cover in place, pinch firmly until cover snaps under two retaining ridges.

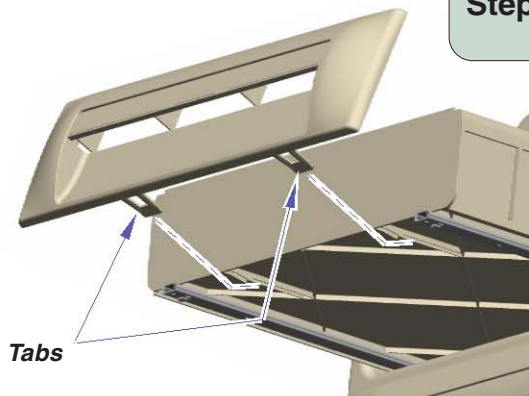
Access Procedures

Drawers - continued

Reversing Drawers - 604 (Midmark)



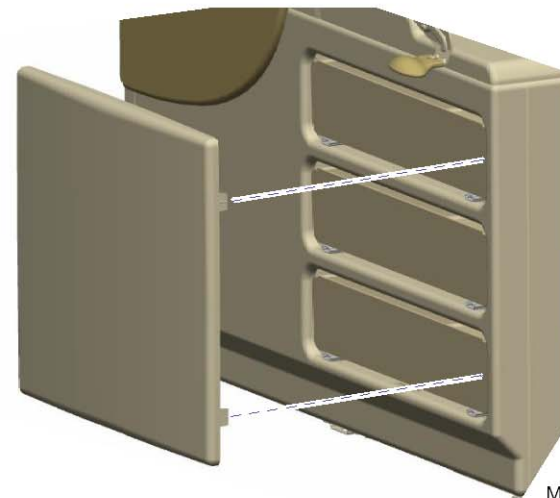
Step 1: Pull side panel out from the bottom.



Step 2: Remove drawer fronts.
(Pull tabs down to release)

Step 3: Install drawer fronts on opposite side of table.

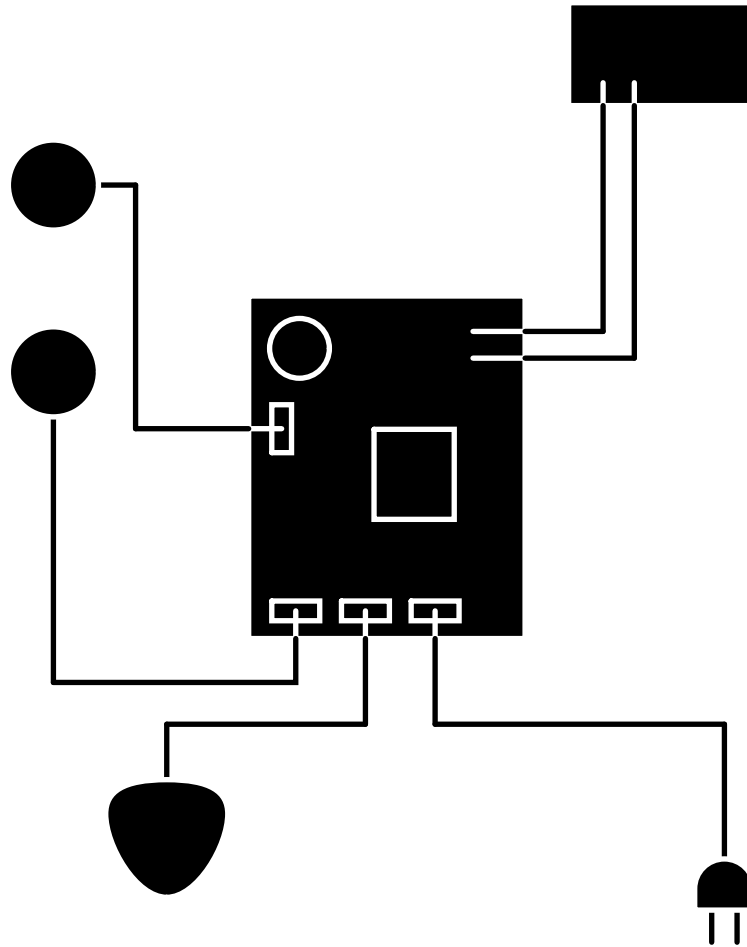
Step 4: Install side panel on opposite side of table.
(Align panel, then push straight in)



MA705401i

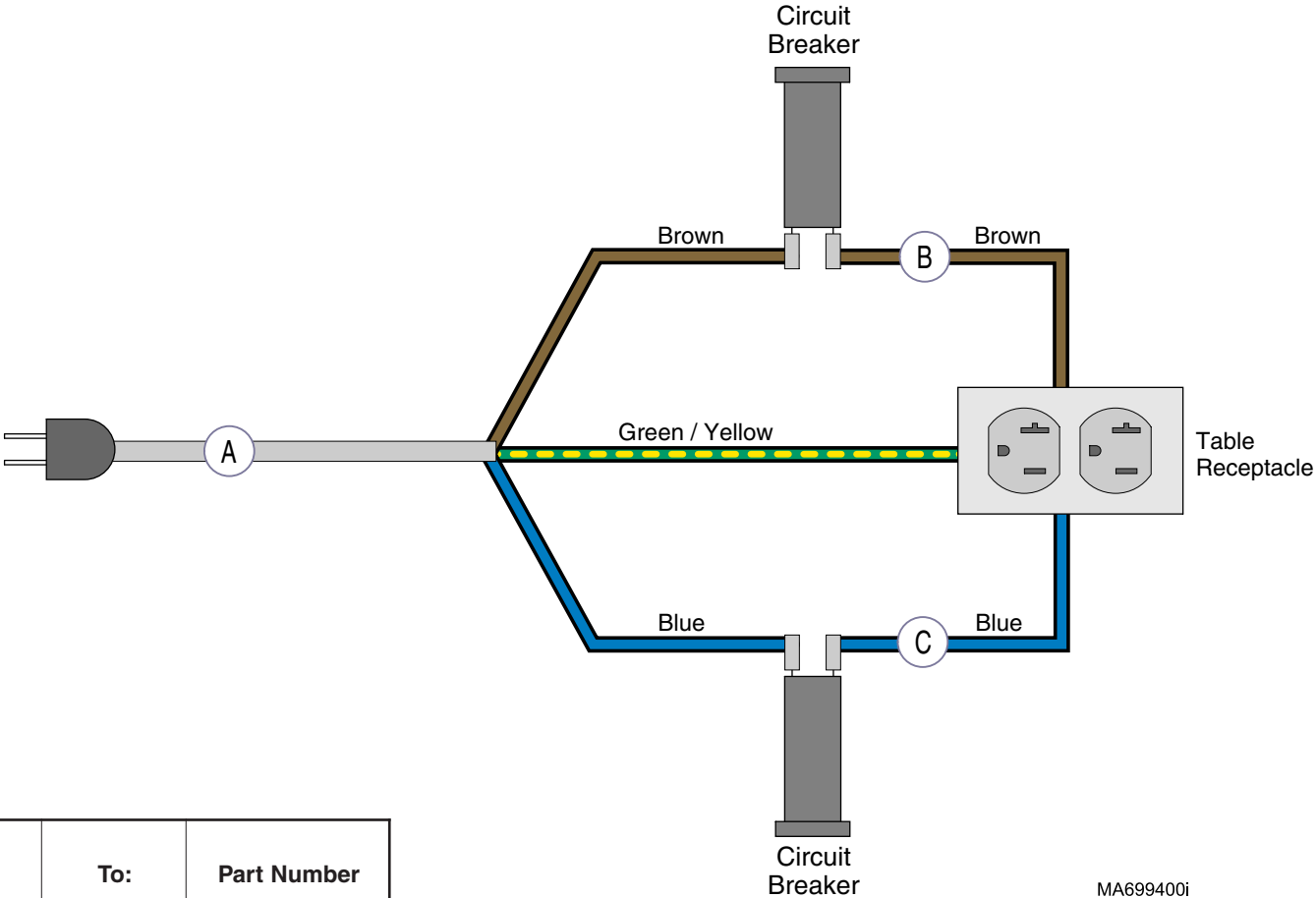
Section D

Wiring Diagrams



<u>Model</u>	<u>Page</u>
204:	
-001 & -003	D-2
-002 & -004	D-3
-006	D-6
-007	D-7
604:	
-001	D-2
-002	D-4
-003	D-5
-005	D-6
-006	D-8

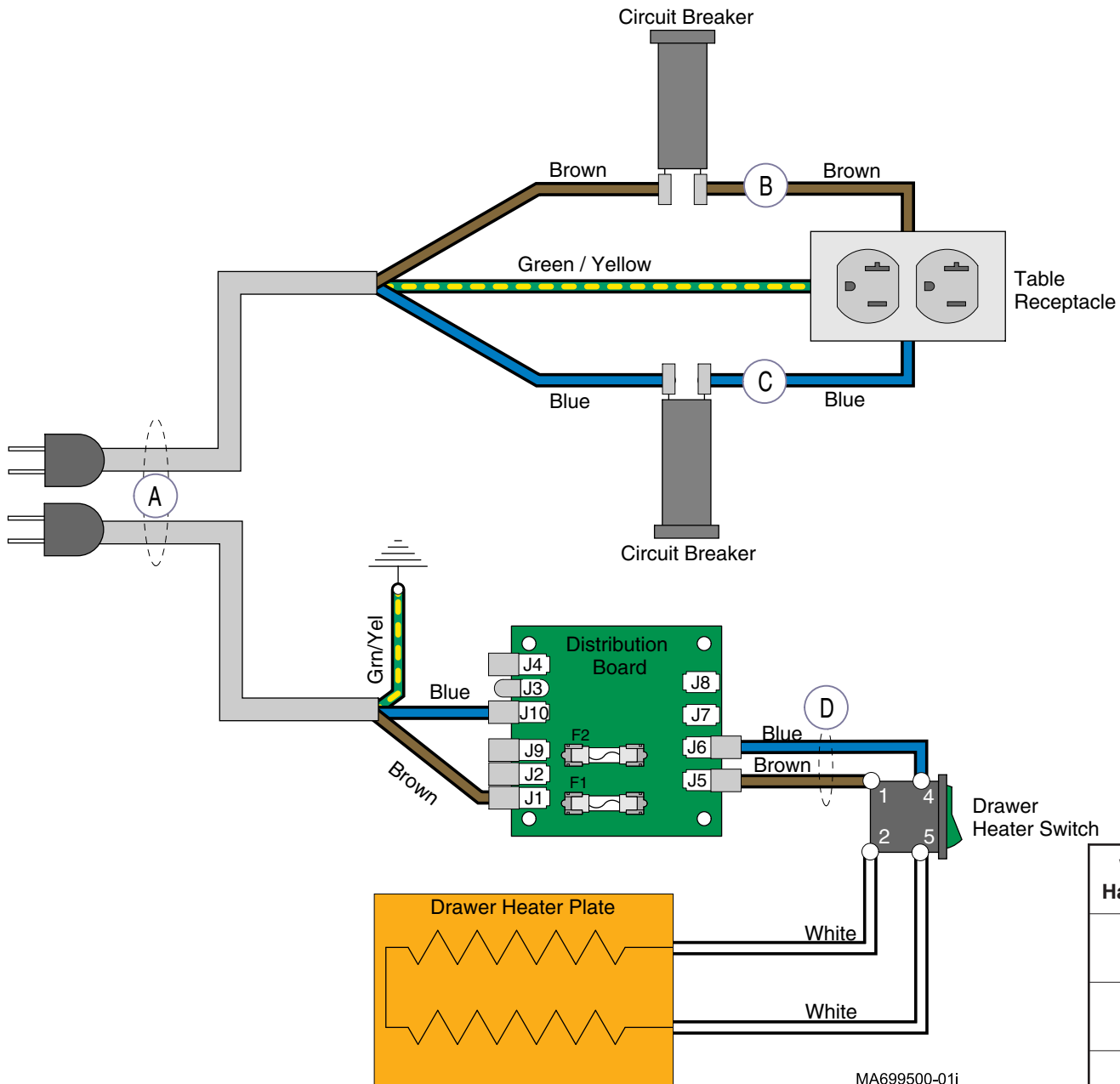
Wiring Diagrams



Wire Harness	From:	To:	Part Number
A	Power source	Circuit Breakers	015-1963-00
B	Circuit Breaker (brown wire)	Table Receptacle	015-1886-00
C	Circuit Breaker (blue wire)	Table Receptacle	015-1886-01

Wiring Diagrams

Fuses - refer to: [Page](#)
 Drawer Heater System - 120 V E-22



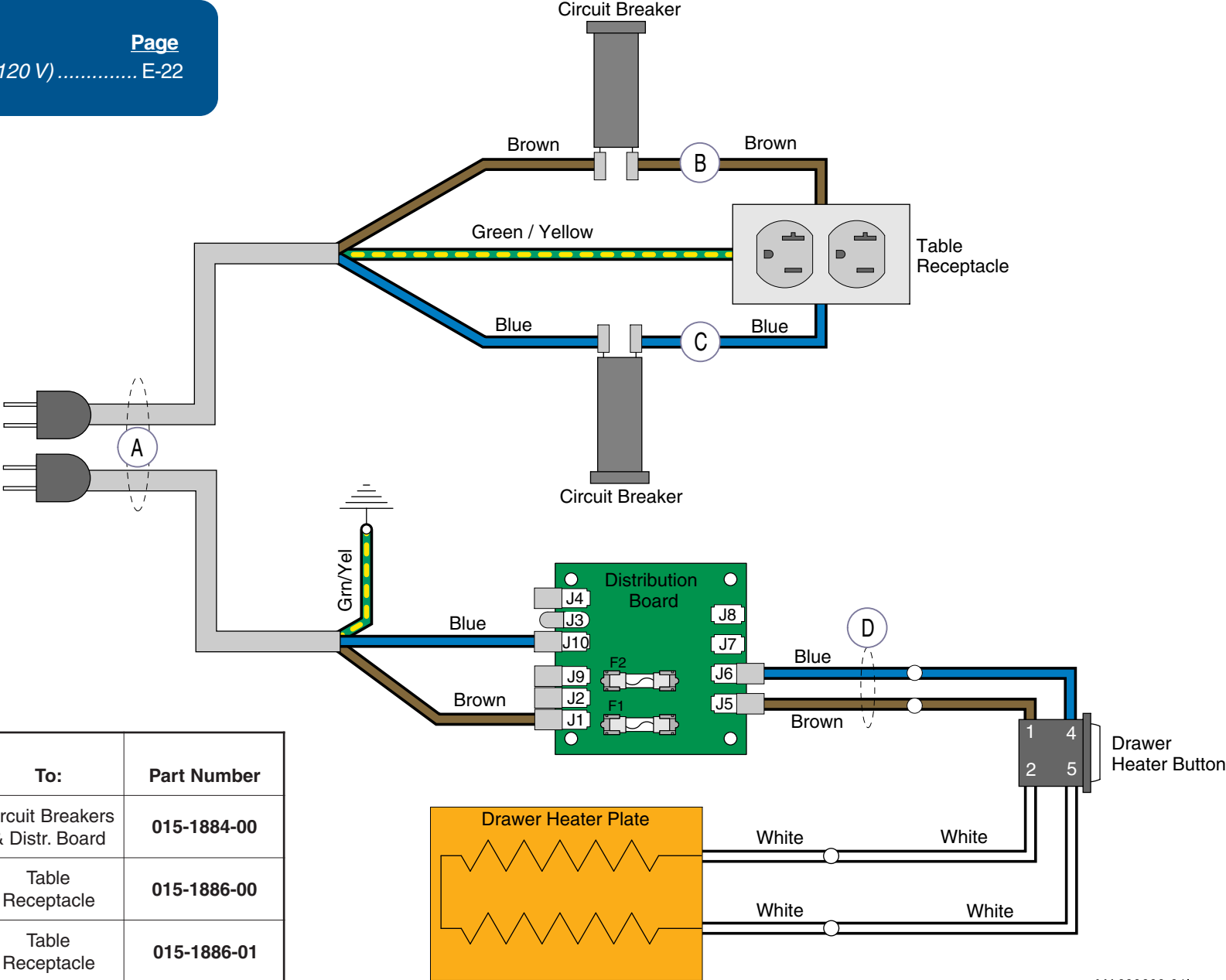
Wire Harness	From:	To:	Part Number
A	Power source	Circuit Breakers & Distr. Board	015-1884-00
B	Circuit Breaker (brown wire)	Table Receptacle	015-1886-00
C	Circuit Breaker (blue wire)	Table Receptacle	015-1886-01
D	Distribution Board	Drawer Heater Switch	015-2004-00

Models: 204 (-002 & -004)
Serial Numbers: All

Wiring Diagrams

Wiring Diagrams

Fuses - refer to: [Page](#)
 Drawer Heater System (120 V) E-22

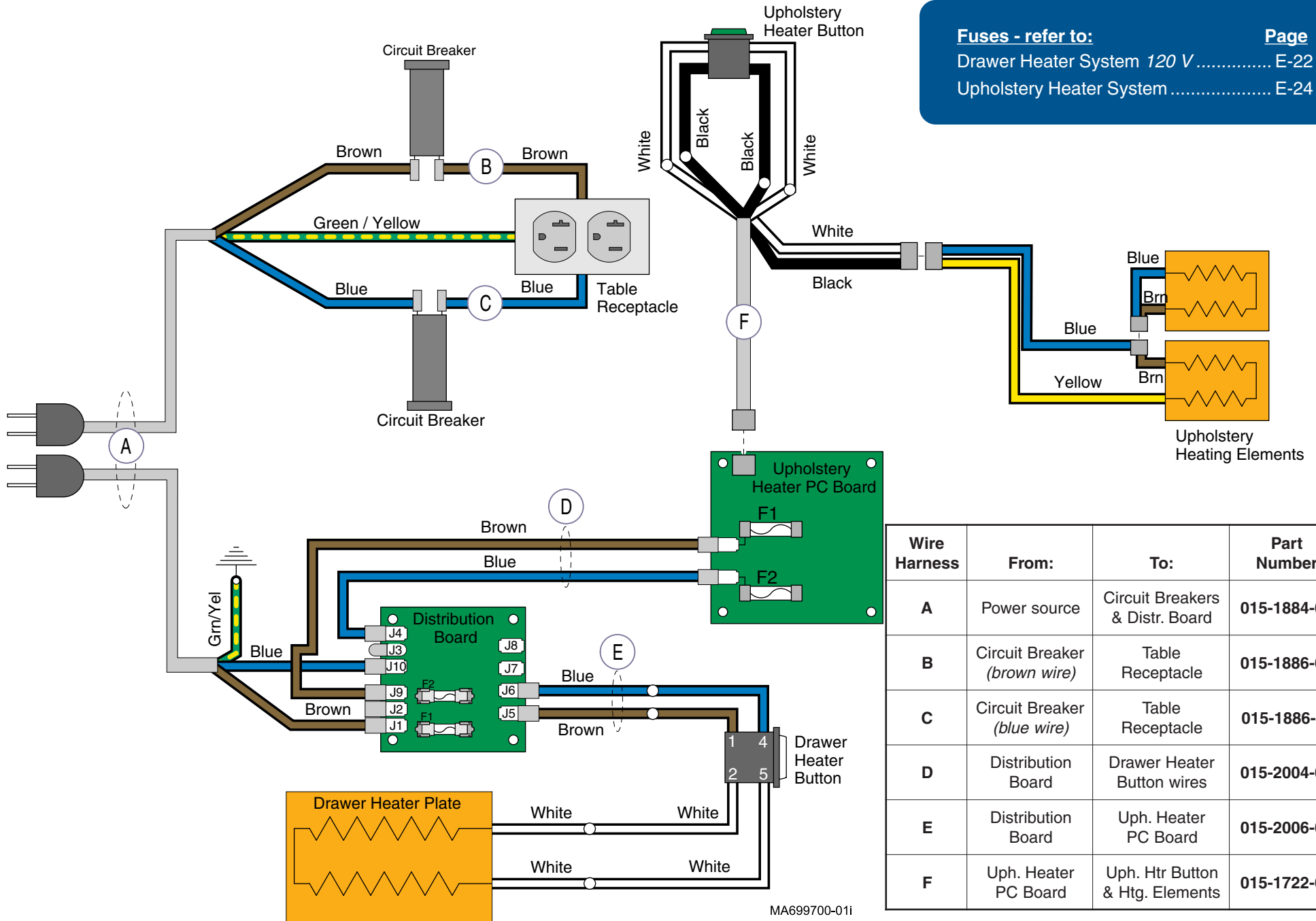


Wire Harness	From:	To:	Part Number
A	Power source	Circuit Breakers & Distr. Board	015-1884-00
B	Circuit Breaker (brown wire)	Table Receptacle	015-1886-00
C	Circuit Breaker (blue wire)	Table Receptacle	015-1886-01
D	Distribution Board	Drawer Heater Button wires	015-2004-00

MA699600-01i

Wiring Diagrams

Fuses - refer to: [Page](#)
 Drawer Heater System 120 V E-22
 Upholstery Heater System E-24



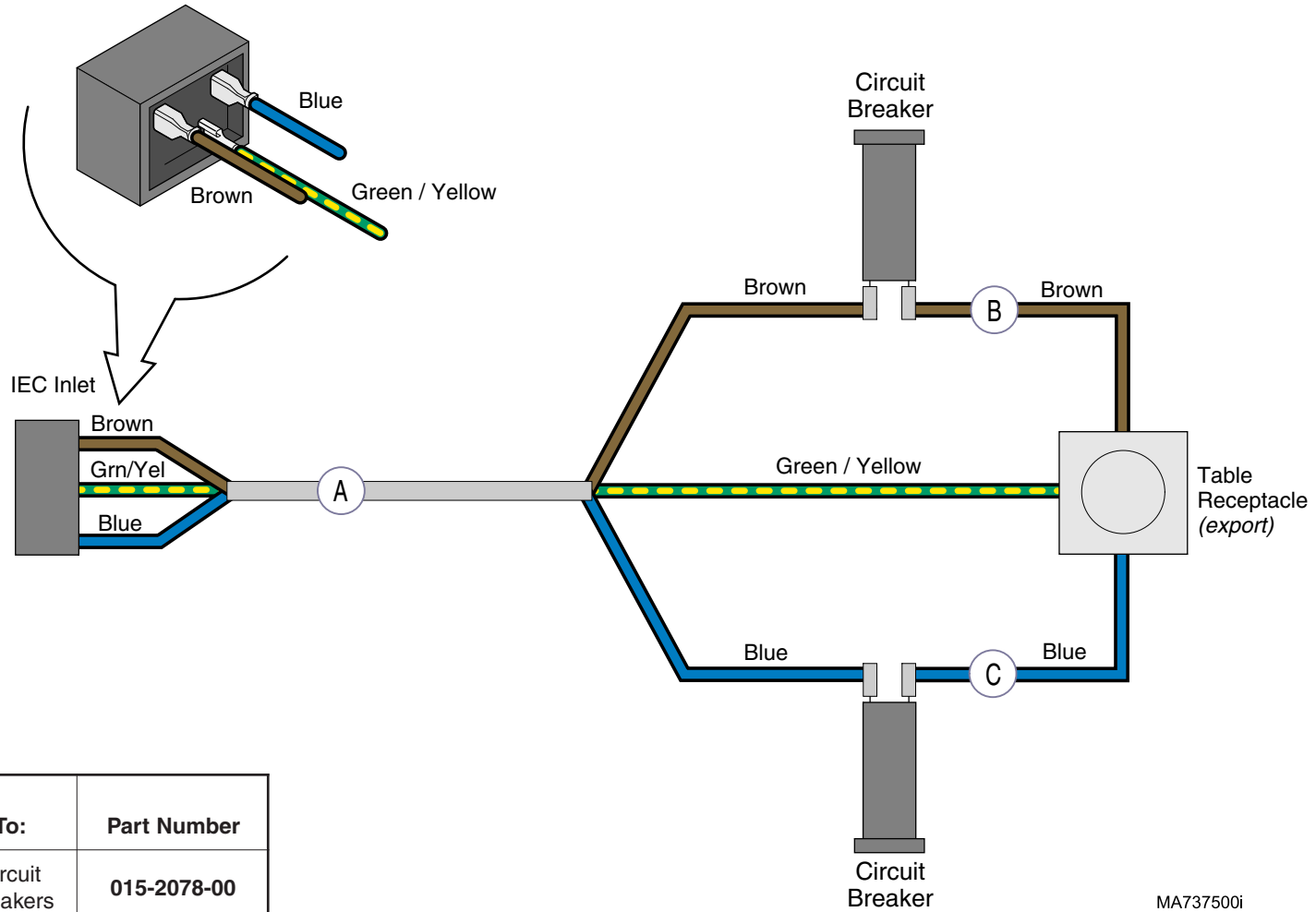
MA699700-01i

Models: 604 (-003)
Serial Numbers: All

Wiring Diagrams

Wiring Diagrams

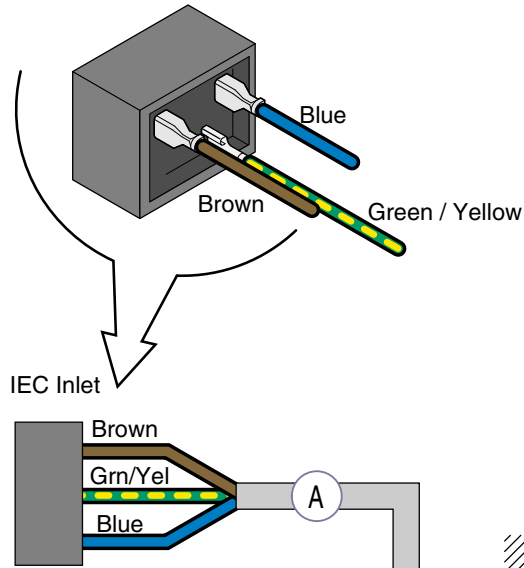
(Rear View of IEC Inlet)



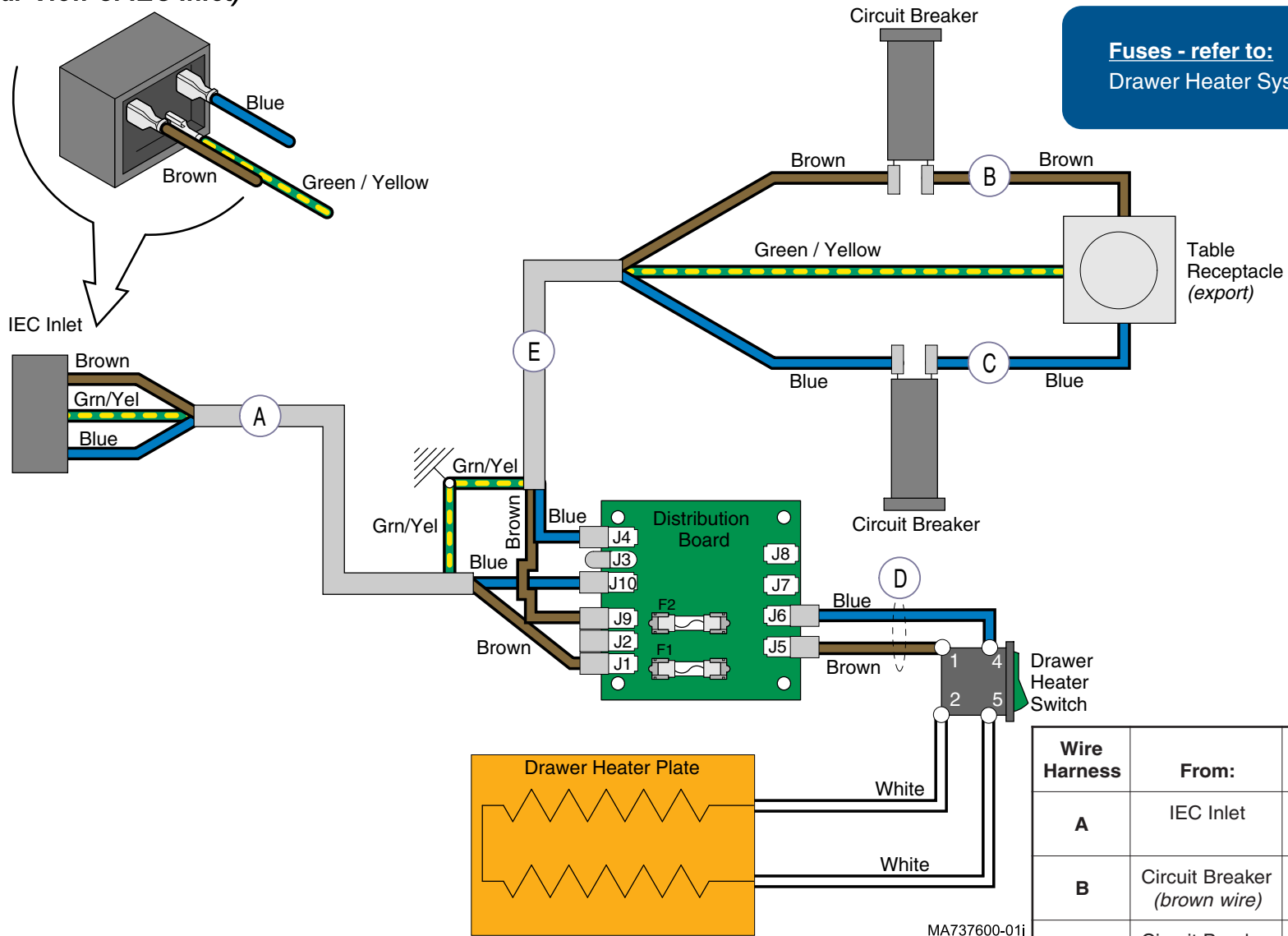
Wire Harness	From:	To:	Part Number
A	IEC Inlet	Circuit Breakers	015-2078-00
B	Circuit Breaker (brown wire)	Table Receptacle	015-1886-00
C	Circuit Breaker (blue wire)	Table Receptacle	015-1886-01

Wiring Diagrams

(Rear View of IEC Inlet)



Fuses - refer to: Page
Drawer Heater System - 230 V E-23



Wire Harness	From:	To:	Part Number
A	IEC Inlet	Distribution Board	015-2079-00
B	Circuit Breaker (brown wire)	Table Receptacle	015-1886-00
C	Circuit Breaker (blue wire)	Table Receptacle	015-1886-01
D	Distribution Board	Drawer Htr. Switch	015-2004-00
E	Distribution Board	Circuit Breakers	015-2080-00

Models: 204 (-007)
Serial Numbers: All

Wiring Diagrams

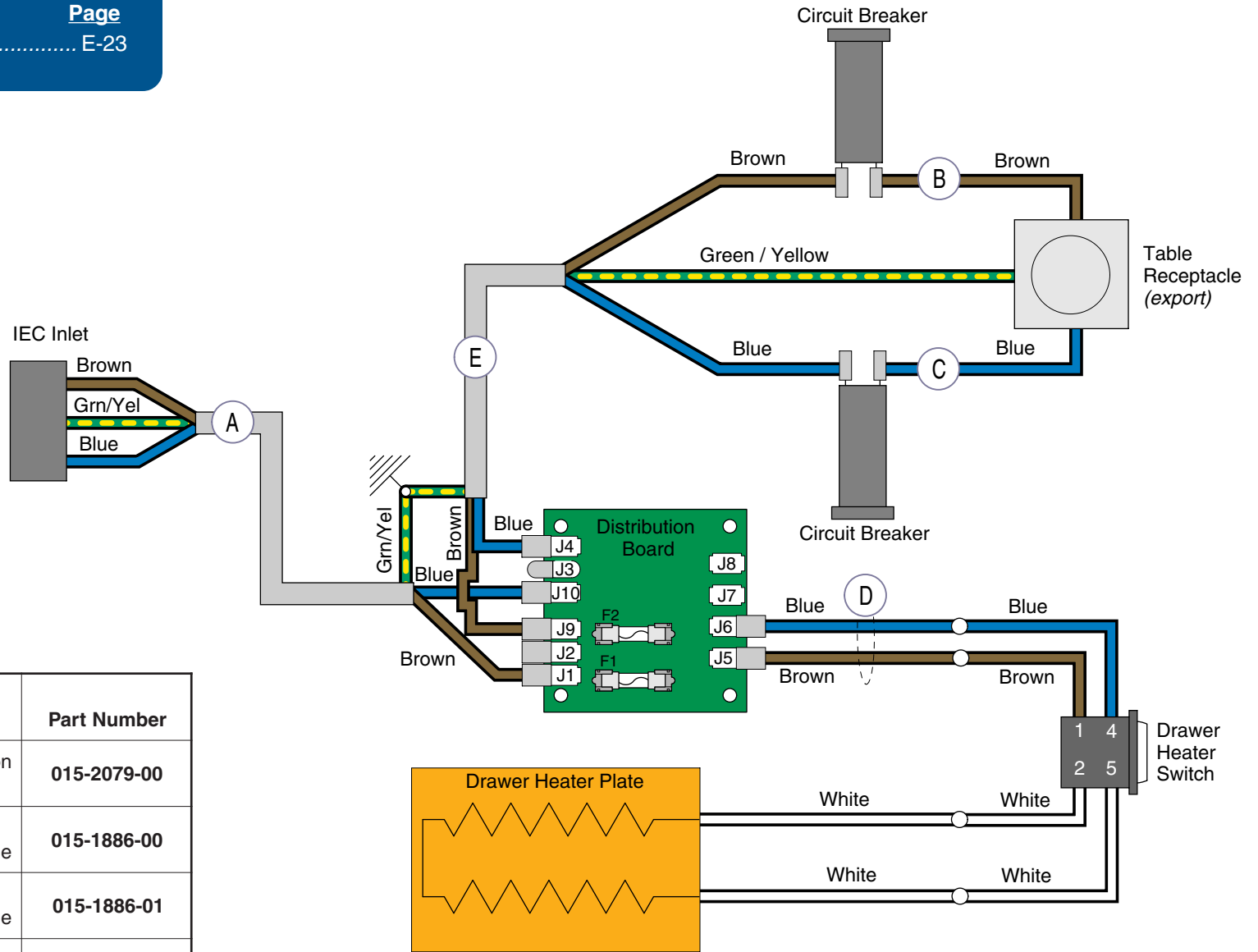
D-7

Wiring Diagrams

Fuses - refer to:

Page

Drawer Heater System - 230 V E-23

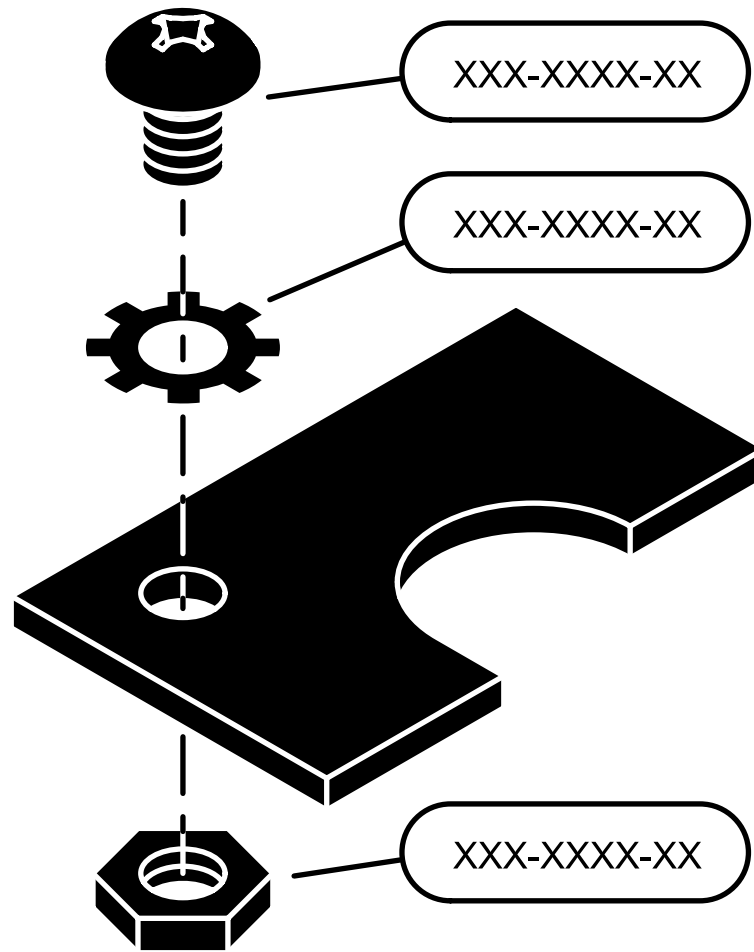


Wire Harness	From:	To:	Part Number
A	IEC Inlet	Distribution Board	015-2079-00
B	Circuit Breaker (brown wire)	Table Receptacle	015-1886-00
C	Circuit Breaker (blue wire)	Table Receptacle	015-1886-01
D	Distribution Board	Drawer Htr. Switch	015-2004-00
E	Distribution Board	Circuit Breakers	015-2080-00

MA737700-011

Section E

Exploded Views & Parts Lists



Model	Page
204:	
(-001 / -002 / -005)	E-2
(-003 & -004)	E-3
604 (all)	E-4

204 (-001 / -002 / -005 thru -007)

Ritter Upholstery:

Soft Touch E-5
 Seamless E-6

includes:
 paper roll holder & drawer inserts

Ritter Upperwrap & Footrest Shelf E-10

includes:
 seat weldment & top cover

Stirrups E-18

includes:
 stirrup guide & pivot brackets

Foot Step E-17

Optional Features

Table Receptacle:

120 V E-19*
 230 V E-20

Pelvic Tilt E-21

Drawer Heater:

120 V E-22
 230 V E-23

Back Support Mechanism E-9

includes:
 gas spring & release handles

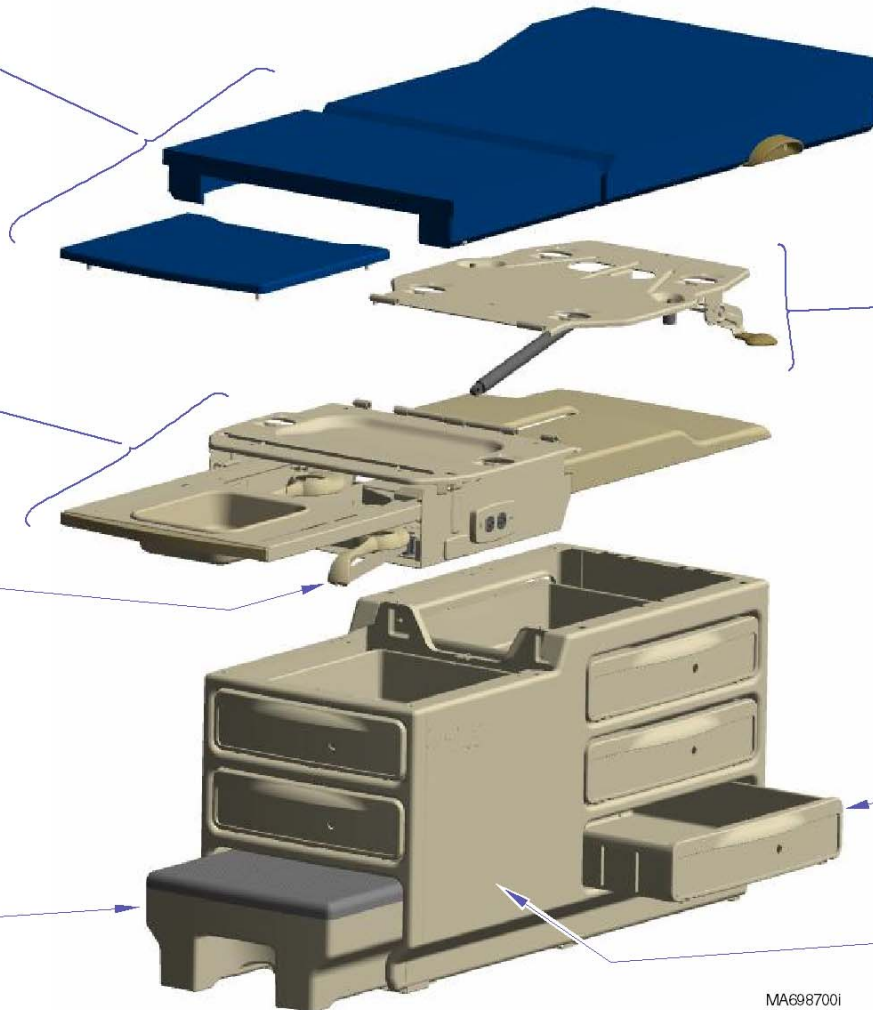
Label Location E-26

Ritter Drawers E-14

includes:
 all drawers & slides

Ritter Cabinet E-12*

includes:
 leveling feet & base cover



204 (-003 / -004)

Ritter Upholstery:

- Soft Touch E-5
- Seamless E-6

includes:
paper roll holder & drawer inserts

Ritter Upperwrap & Footrest Shelf E-10

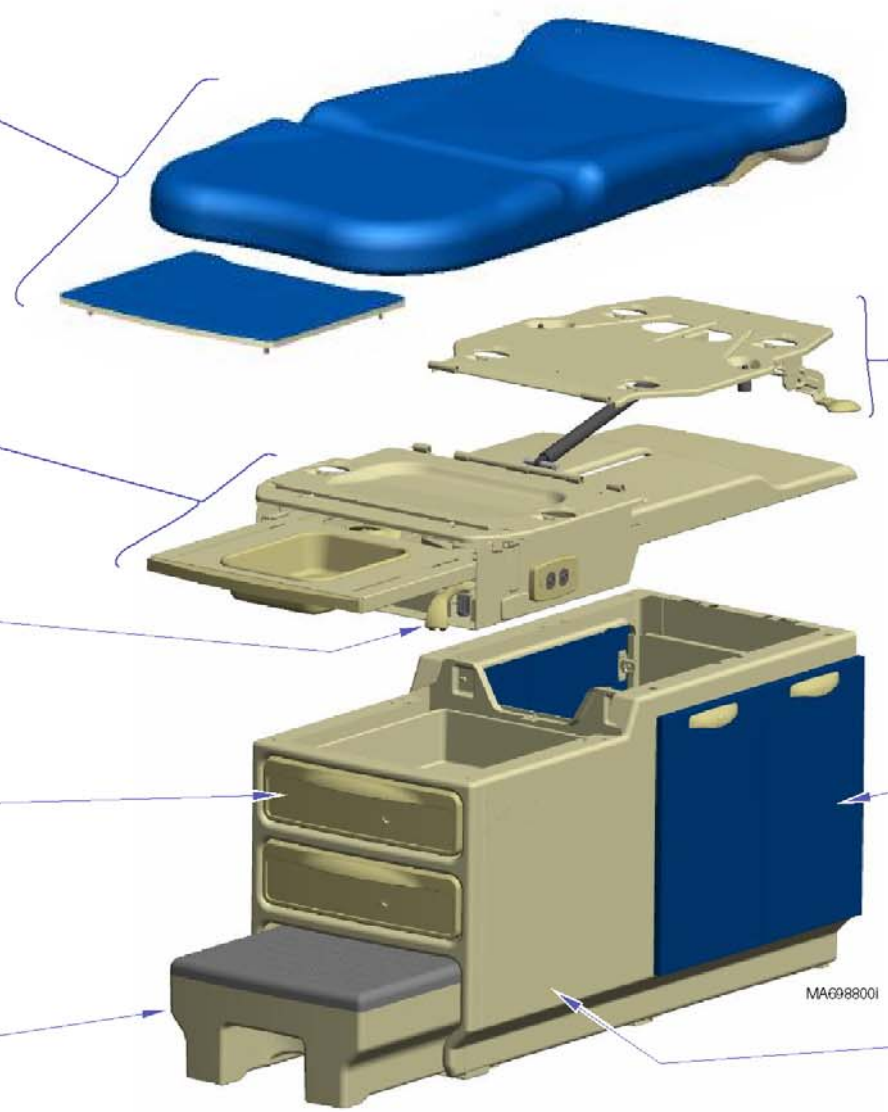
Stirrups E-18

includes:
stirrup guide & pivot brackets

Ritter Drawers E-14

includes:
foot end drawers & slides

Foot Step E-17



Optional Features

- Table Receptacle:**
- 120V E-19*
- Pelvic Tilt** E-21
- Drawer Heater:**
- 120 V E-22

Back Support Mechanism E-9

includes:
gas spring & release handles

Label Location E-26

Bulk Storage Doors E-16

includes:
hinges & mounting hardware

Ritter Cabinet E-12*

includes:
leveling feet & base/side covers

* Indicates multiple pages due to a model / serial number break for the parts illustration

604 (all)

Midmark Upholstery:
Premium E-7
w/ Uph. Heater E-7

Ultra-Premium E-8
w/ Uph. Heater E-8

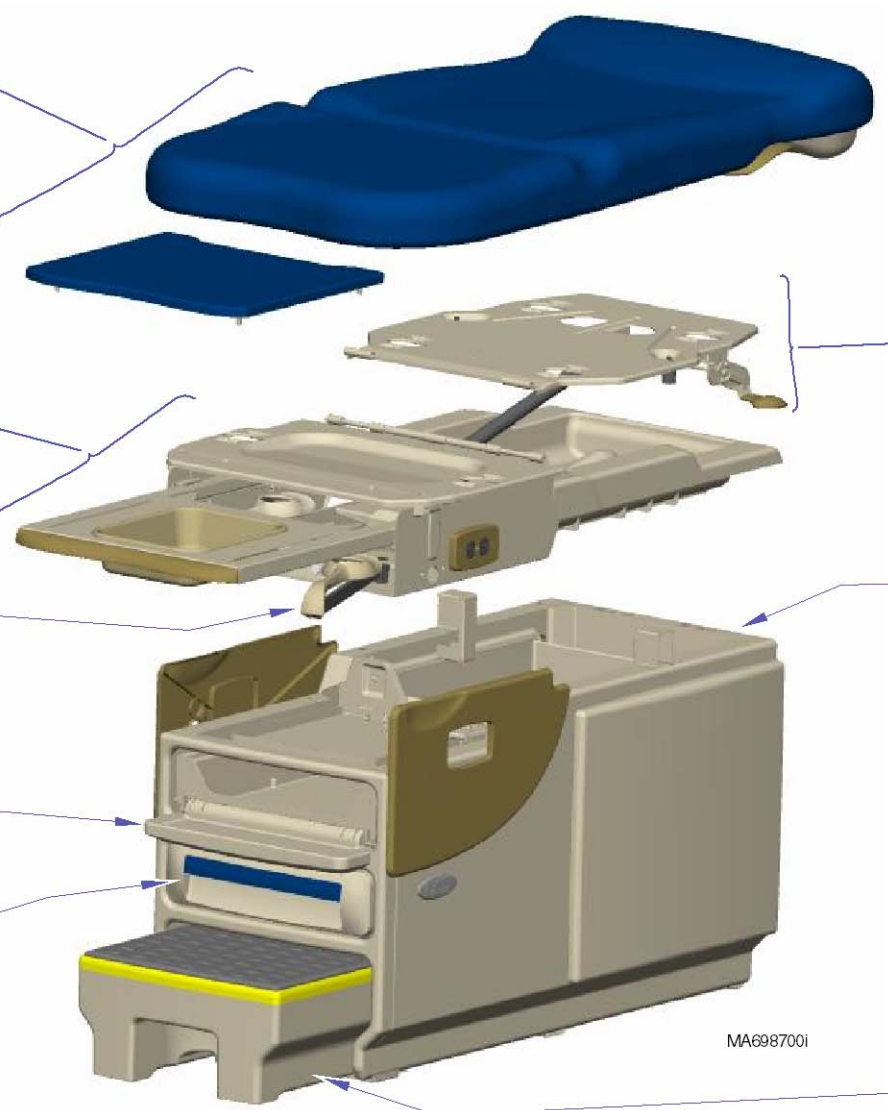
includes:
paper roll holder & drawer inserts

Midmark Upperwrap & Footrest Shelf E-11

Stirrups E-18
includes:
stirrup guide & pivot brackets

Exam Assistant™ Drawer System E-25

Midmark Drawers E-15
includes:
side cover panel



Optional Features
Table Receptacle:
120 V E-19*
230 V E-20
Pelvic Tilt E-21
Drawer Heater:
120 V E-22
230 V E-23
Upholstery Heater E-24

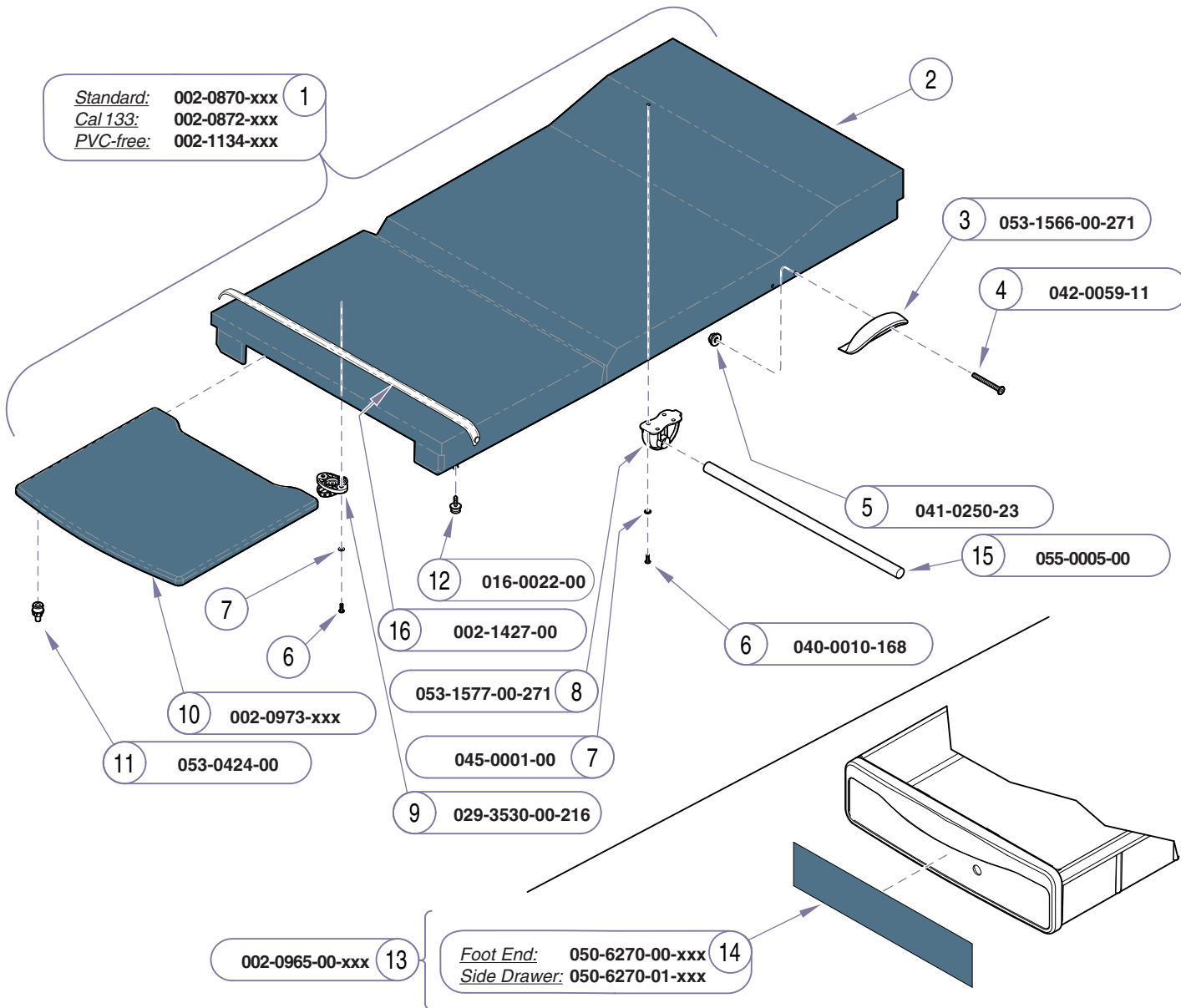
Back Support Mechanism E-9
includes:
gas spring & release handles

Midmark Cabinet E-13*
includes:
leveling feet & side cladding

Label Location E-26

Foot Step E-17

MA6987001



ATTENTION: Refer to *Current Color Options* link above for available color codes to replace -xxx.

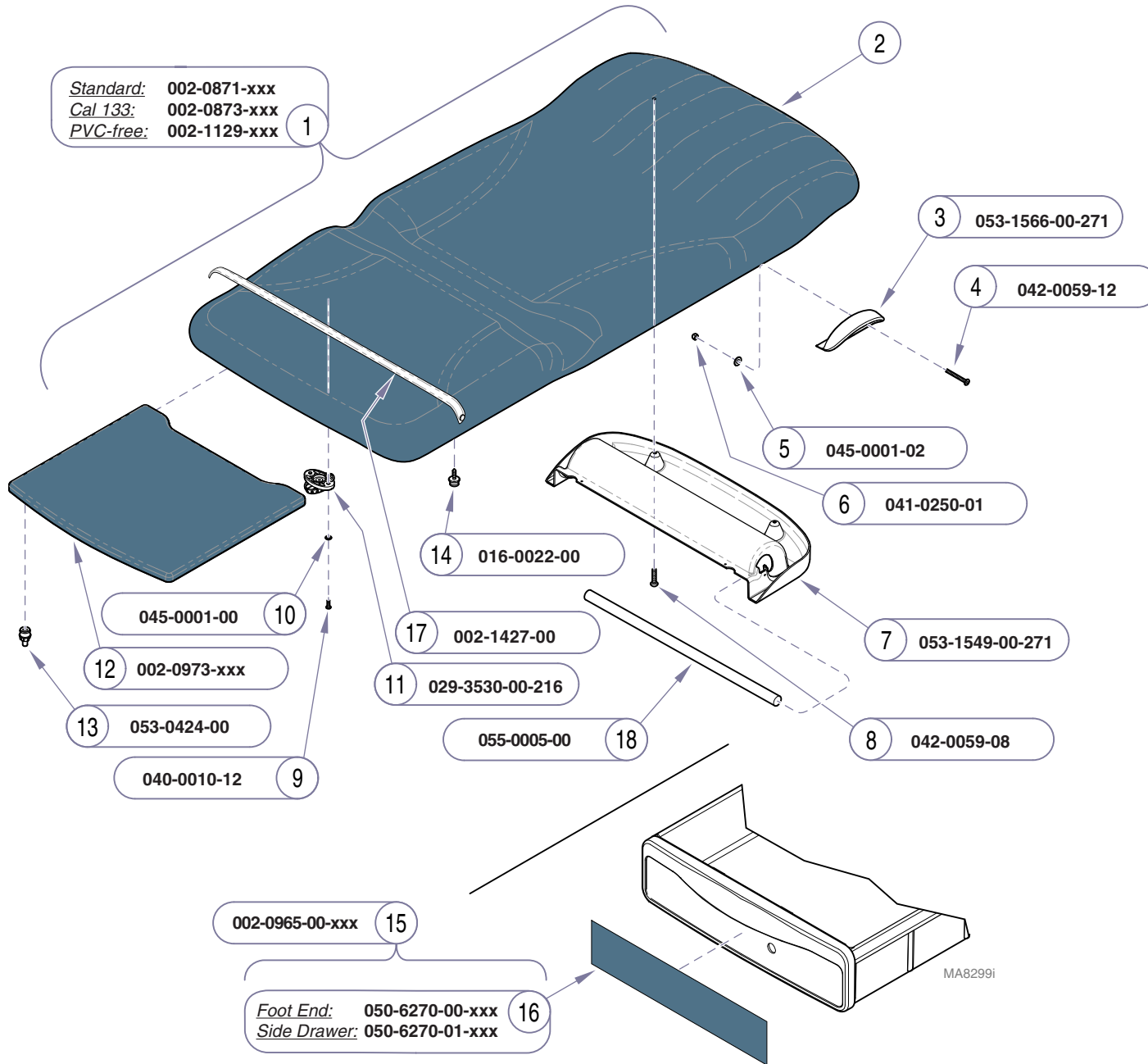
Item	Description	Qty.
1	Upholstery Set (includes items 2 thru 13)	1
2	• Seat/Back Upholstery (must order item #1)	1
3	• Handle	2
4	• Screw (size??)	4
5	• Nylock Flange Nut	4
6	• Screw (10-24 x 5/8")	20
7	• Washer (early models only)	20
8	• Paper Roll Bracket	2
9	• Locking Knob	6
10	• Footrest Pad	1
11	• Footrest Glide	4
12	• Snap / Stud	4
13	• Drawer Insert Kit (includes: 6 side & 2 foot end inserts)	1
14	• Drawer Inserts: Foot End	2
	Side Drawer	6
15	Dowel Rod	1
16	Tear Strap	1

Always Specify Model & Serial Number

MA705500i

Models: 204 (all)
Serial Numbers: All

Upholstery - Ritter
 (Soft Touch)



ATTENTION: Refer to *Current Color Options* link above for available color codes to replace -xxx.

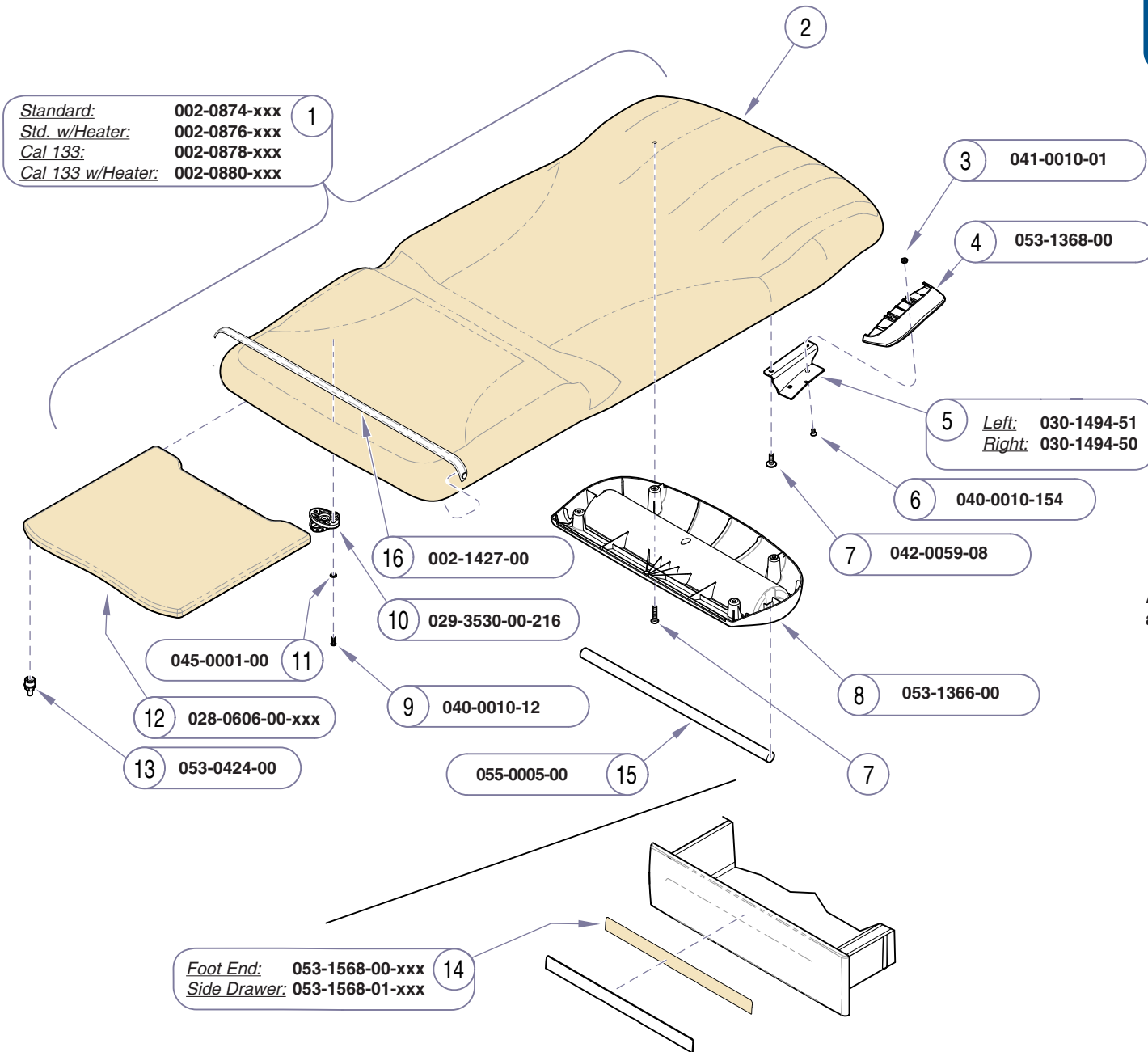
Item	Description	Qty.
1	Upholstery Set (includes items 2 thru 15)	1
2	• Seat/Back Upholstery (must order item #1)	1
3	• Handle	2
4	• Bolt (1/4-20 x 1.578")	4
5	• Washer	4
6	• Nylock Nut	4
7	• Paper Roll Housing	1
8	• Screw (10-24 x 5/8")	4
9	• Screw	12
10	• Washer	12
11	• Locking Knob	6
12	• Footrest Pad	1
13	• Footrest Glide	4
14	• Snap / Stud	4
15	• Drawer Insert Kit (includes: 6 side & 2 foot end inserts)	1
16	• Drawer Inserts: Foot End	2
	Side Drawer	6
17	Tear Strap	1
18	Dowel Rod	1

Always Specify Model & Serial Number

MA705600i

Upholstery - Ritter
(Seamless)

Models: 204 (all)
Serial Numbers: All



ATTENTION: Refer to *Current Color Options* link above for available color codes to replace -xxx.

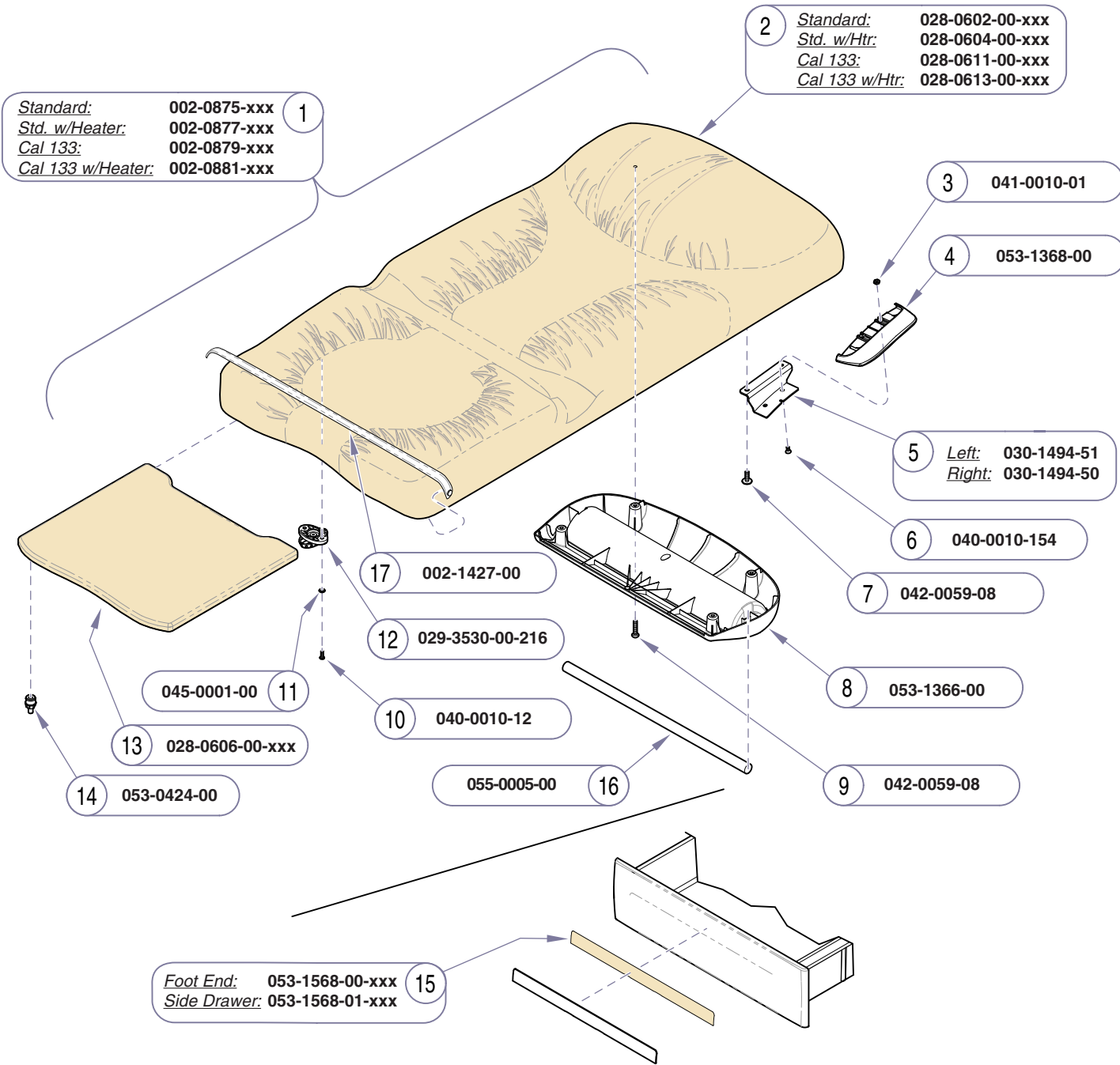
Item	Description	Qty.
1	Upholstery Set (includes items 2 thru 15) ..	1
2	• Seat/Back Upholstery (must order item #1)	1
3	• Nut	4
4	• Handle	2
5	• Handle Bracket	2
6	• Screw	4
7	• Screw	4
8	• Paper Roll Housing	1
9	• Screw (10-24 x 5/8)	8
10	• Locking Knob	6
11	• Washer	12
12	• Footrest Pad (includes item 14 - qty 4) ...	1
13	• • Footrest Glide	4
14	• Color Drawer Insert (3 side & 2 foot)	5
15	Dowel Rod	1
16	Tear Strap	1

Always Specify Model & Serial Number

MA705700i

Models: 604 (all)
Serial Numbers: All

Upholstery - Midmark
 (Premium)



Standard: 002-0875-xxx
 Std. w/Heater: 002-0877-xxx
 Cal 133: 002-0879-xxx
 Cal 133 w/Heater: 002-0881-xxx

2 Standard: 028-0602-00-xxx
 Std. w/Htr: 028-0604-00-xxx
 Cal 133: 028-0611-00-xxx
 Cal 133 w/Htr: 028-0613-00-xxx

3 041-0010-01

4 053-1368-00

5 Left: 030-1494-51
 Right: 030-1494-50

6 040-0010-154

7 042-0059-08

17 002-1427-00

12 029-3530-00-216

10 040-0010-12

045-0001-00 11

13 028-0606-00-xxx

14 053-0424-00

055-0005-00 16

8 053-1366-00

9 042-0059-08

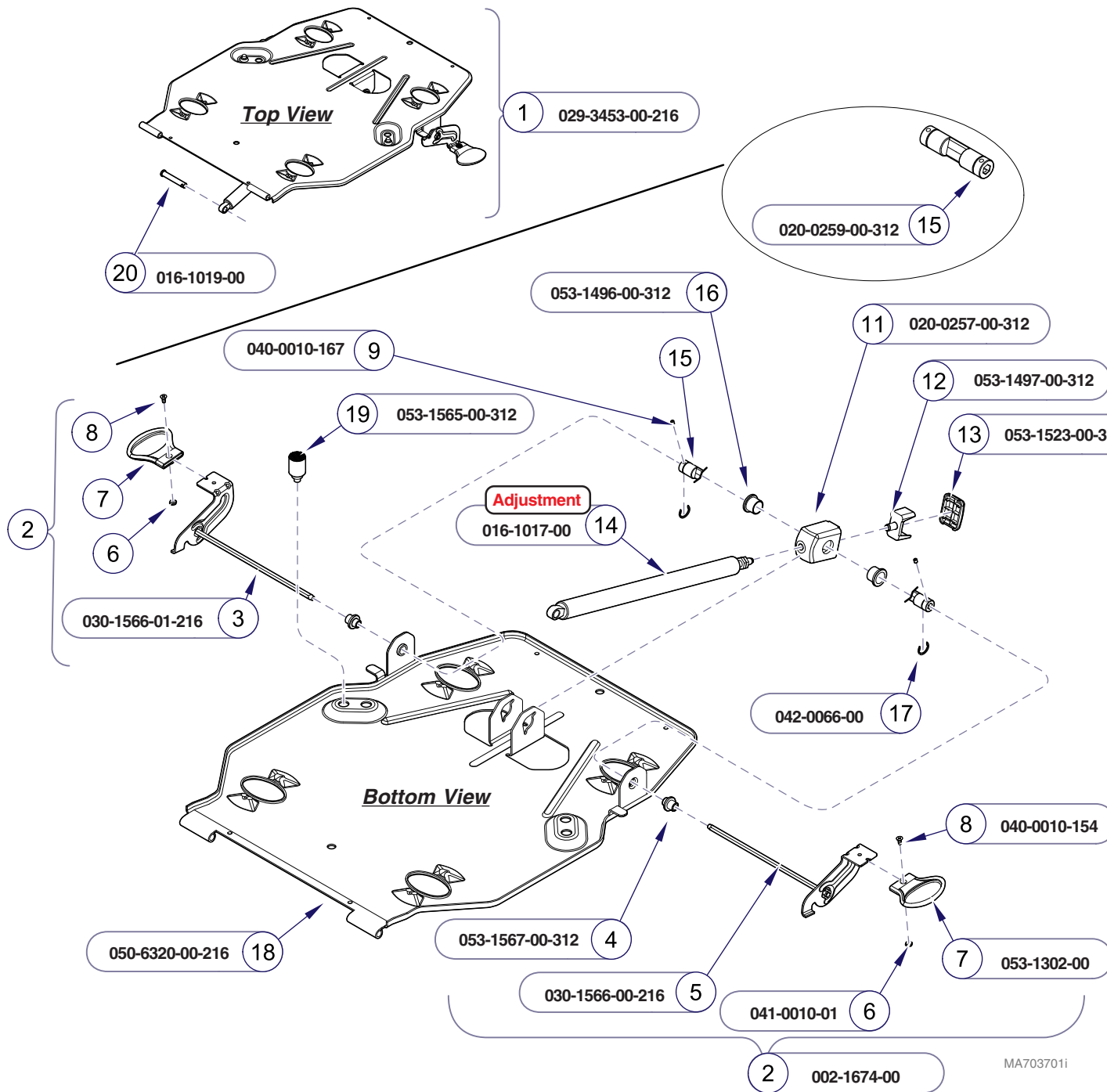
Foot End: 053-1568-00-xxx
 Side Drawer: 053-1568-01-xxx

15

Item	Description	Qty.
1	Upholstery Set (includes items 2 thru 15)	1
2	• Seat/Back Upholstery	1
3	• Nut	4
4	• Handle	2
5	• Handle Bracket	2
6	• Screw	4
7	• Screw	4
8	• Paper Roll Housing	1
9	• Screw (10-24 x 5/8)	8
10	• Screw	12
11	• Locking Knob	6
12	• Washer	12
13	• Footrest Pad (includes item 14 - qty 4)	1
14	• • Footrest Glide	4
15	• Color Drawer Insert (3 side & 2 foot)	5
16	Dowel Rod	1
17	Tear Strap	1

Always Specify Model & Serial Number

MA689702i

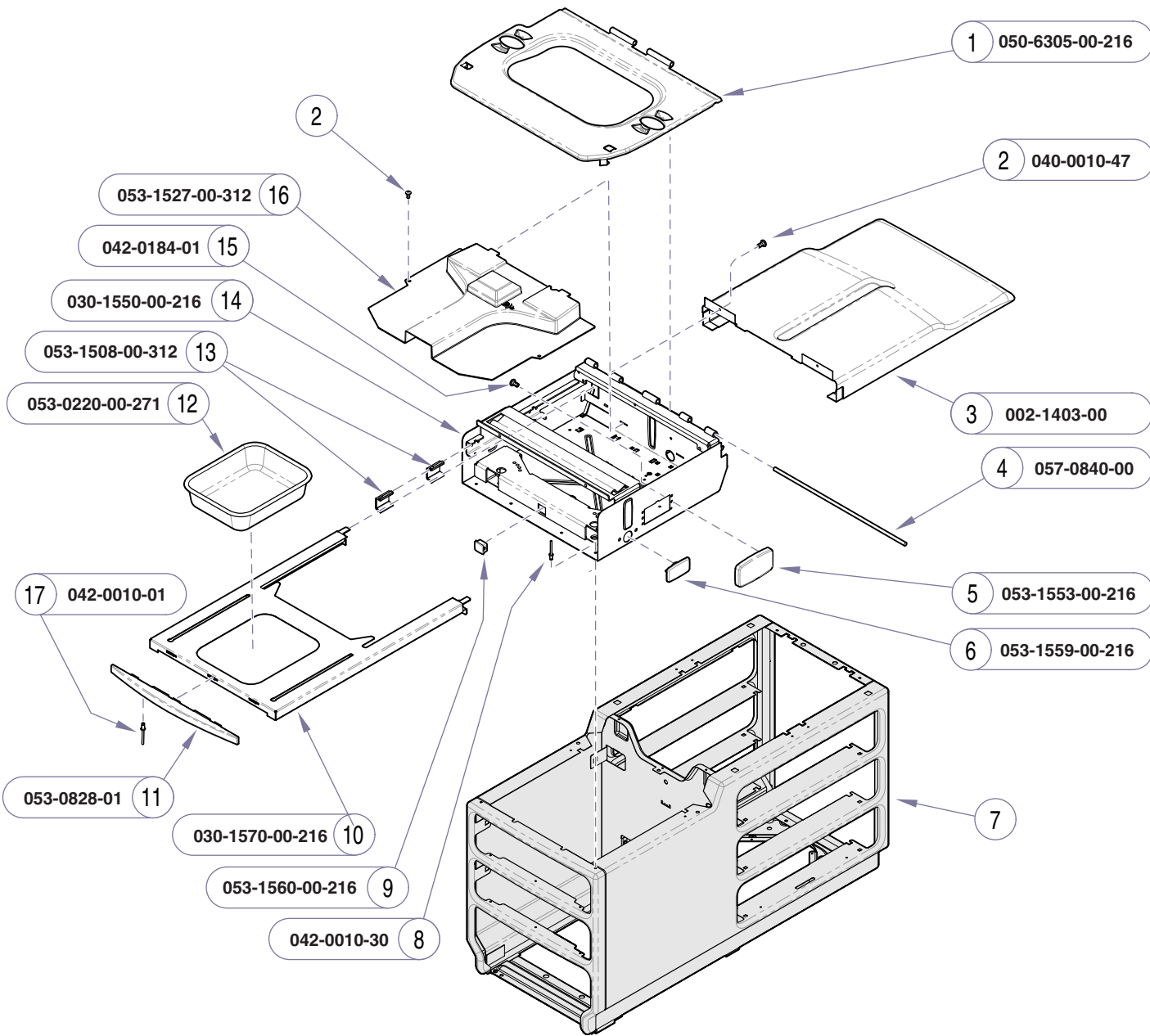


Item	Description	Qty.
1	Back Assembly (incl. items 2 thru 20)	1
2	• Backrest Handle Kit (incl. items 3 thru 9) ...	1
3	• • Back Release Weldment (LH)	1
4	• • Bushing	2
5	• • Back Release Weldment (RH)	1
6	• • Nut (#10-32)	2
7	• • Handle	2
8	• • Screw (#32 x 7/16")	2
9	• • Set Screw (#32 x 1/4")	2
10	• Actuator Cap Housing Kit (includes items 10 thru 12)	1
11	• • Housing	1
12	• • Plunger	1
13	• • Housing Cap	1
14	• Gas Spring	1
15	• Cam	1
16	• Bushing	2
17	• E-ring (3/4")	2
18	• Back Support Weldment	1
19	• Bumper	2
20	• Clevis Pin (w/plunger)	1

Always Specify Model & Serial Number

Models: All
 Serial Numbers: All

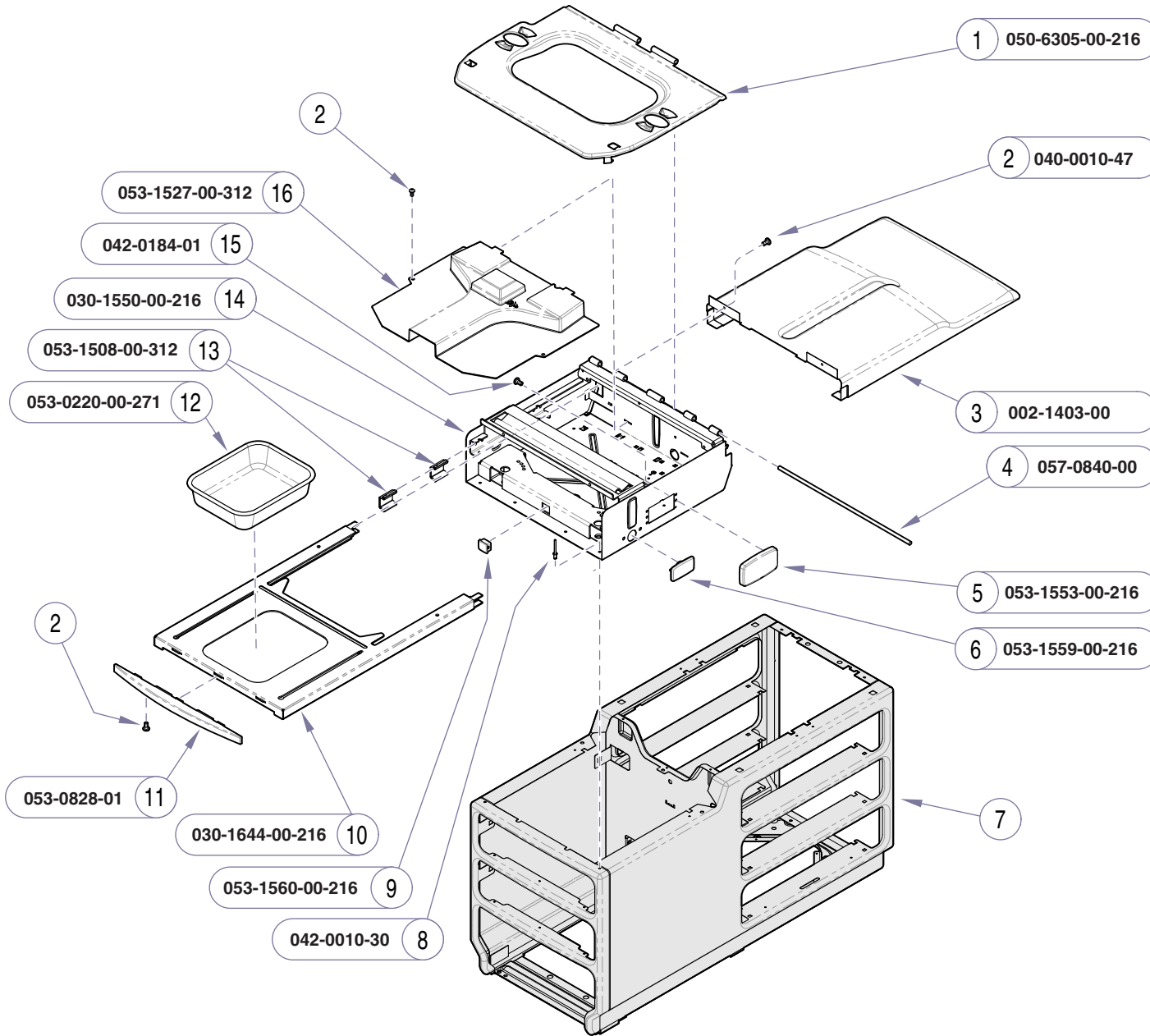
**Back Support
 Mechanism**



Item	Description	Qty.
1	Seat Mounting Plate	1
2	Screw (#10-24 x 3/8")	2
3	204 Top Cover Kit (Converts steel cover to plastic cover; includes plastic cover, mounting brackets and pop rivets)	1
4	Hinge Rod	1
5	Cover (models w/o receptacle)	1
6	Hole Cover	2
7	Refer to: "Ritter Cabinet"	Ref
8	Pop Rivet	12
9	Plug	1
10	Footrest Shelf	1
11	Footrest Pull	1
12	Treatment Pan	1
13	Glide	4
14	Upperwrap	1
15	Screw (K40 x 12)	1
16	Stirrup Guide	1
17	Pop Rivet	2

Always Specify Model & Serial Number

MA704300i



MA704301i

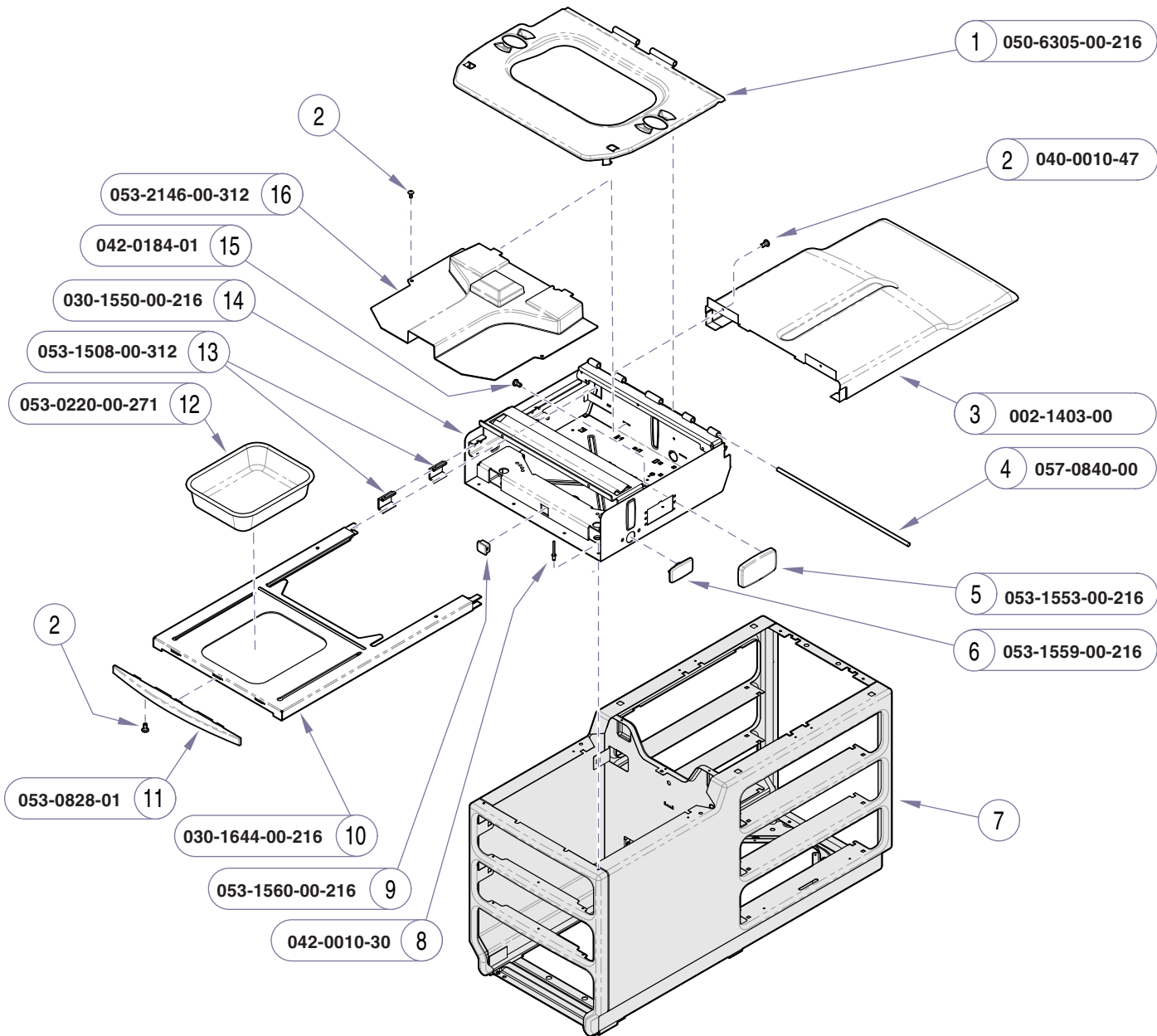
Item	Description	Qty.
1	Seat Mounting Plate	1
2	Screw (#10-24 x 3/8")	4
3	204 Top Cover Kit (Converts steel cover to plastic cover; includes plastic cover, mounting brackets and pop rivets)	1
4	Hinge Rod	1
5	Cover (models w/o receptacle)	1
6	Hole Cover	2
7	Refer to: "Ritter Cabinet"	Ref
8	Pop Rivet	12
9	Plug	1
10	Footrest Shelf	1
11	Footrest Pull	1
12	Treatment Pan	1
13	Glide	4
14	Upperwrap	1
15	Screw (K40 x 12)	1
16	Stirrup Guide	1

Always Specify Model & Serial Number

Models: 204 (all)
Serial Numbers: V232022 to V816454

Ritter Upperwrap & Footrest Shelf

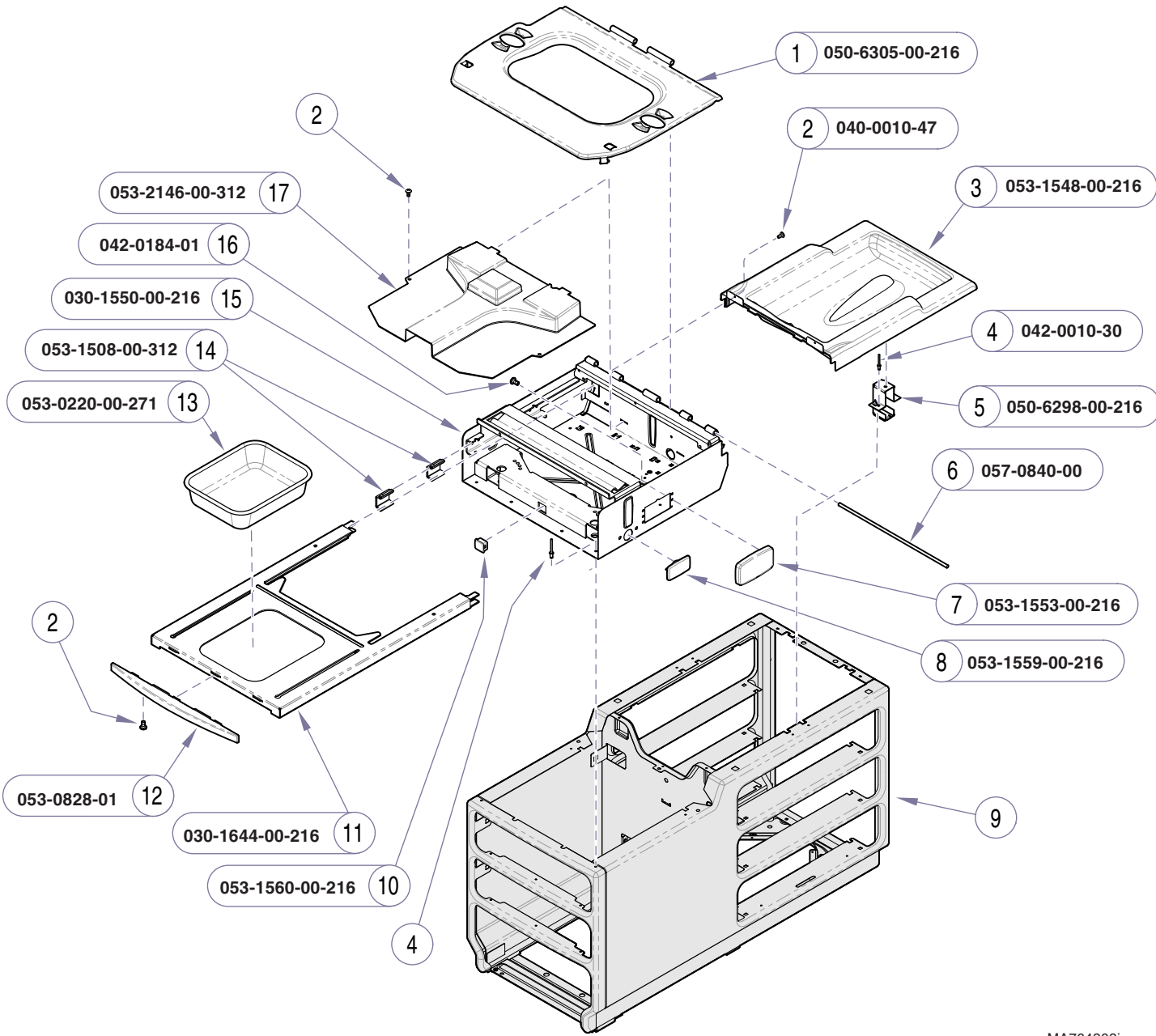
E-10.1



Item	Description	Qty.
1	Seat Mounting Plate	1
2	Screw (#10-24 x 3/8")	2
3	204 Top Cover Kit (Converts steel cover to plastic cover; includes plastic cover, mounting brackets and pop rivets)	1
4	Hinge Rod	1
5	Cover (models w/o receptacle)	1
6	Hole Cover	2
7	Refer to: "Ritter Cabinet"	Ref
8	Pop Rivet	12
9	Plug	1
10	Footrest Shelf	1
11	Footrest Pull	1
12	Treatment Pan	1
13	Glide	4
14	Upperwrap	1
15	Screw (K40 x 12)	1
16	Stirrup Guide	1
17	Pop Rivet	2

Always Specify Model & Serial Number

MA7043021



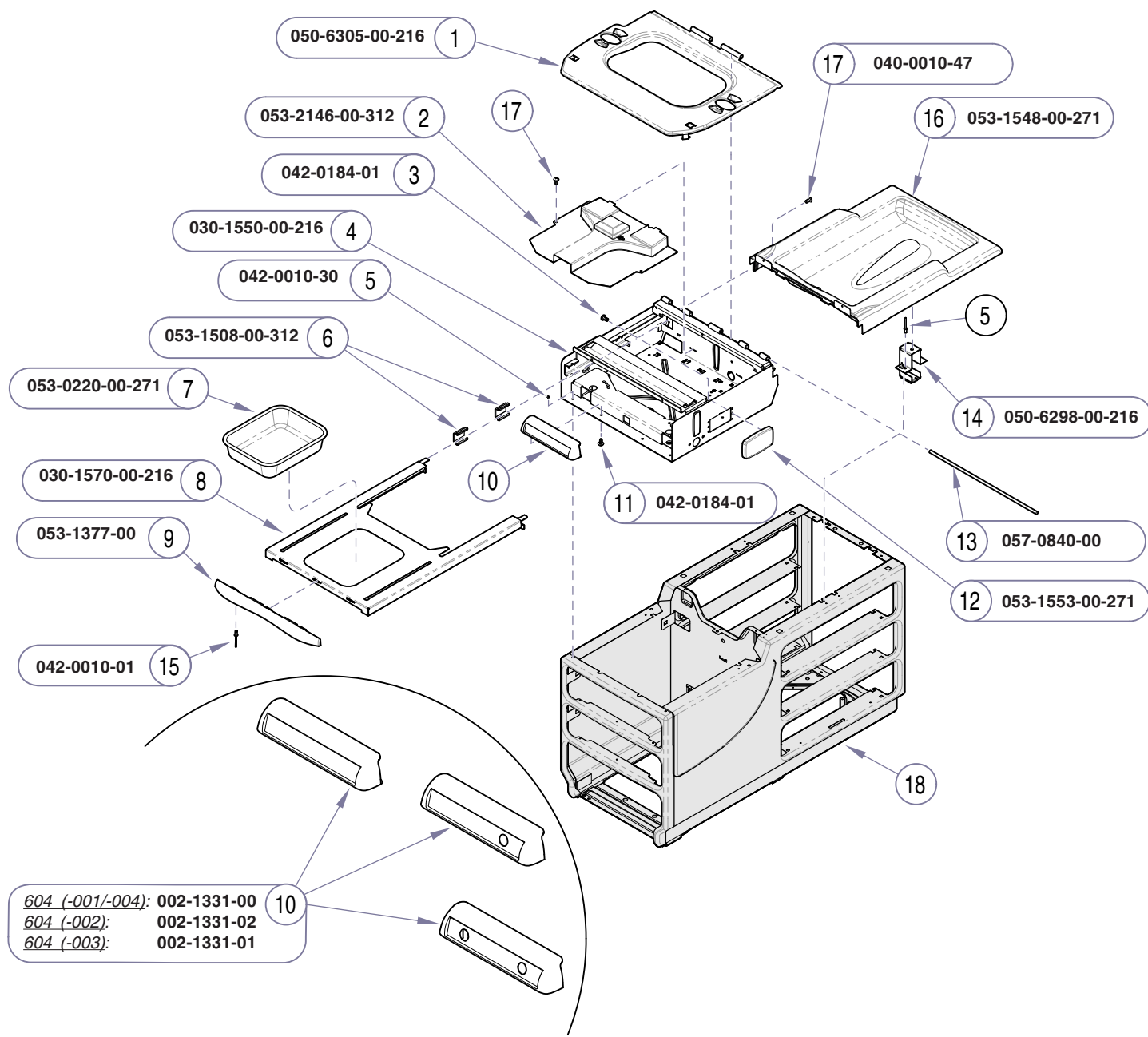
MA704303i

Item	Description	Qty.
1	Seat Mounting Plate	1
2	Screw (#10-24 x 3/8")	2
3	Plastic Top Cover	1
4	Pop Rivet	12
5	Top Cover Support Bracket	2
6	Hinge Rod	1
7	Cover (models w/o receptacle)	1
8	Hole Cover	2
9	Refer to: "Ritter Cabinet"	Ref
10	Plug	1
11	Footrest Shelf	1
12	Footrest Pull	1
13	Treatment Pan	1
14	Glide	4
15	Upperwrap	1
16	Screw (K40 x 12)	1
17	Stirrup Guide	1

Always Specify Model & Serial Number

Models: 204 (all)
Serial Numbers: V971751 to present

Ritter Upperwrap & Footrest Shelf

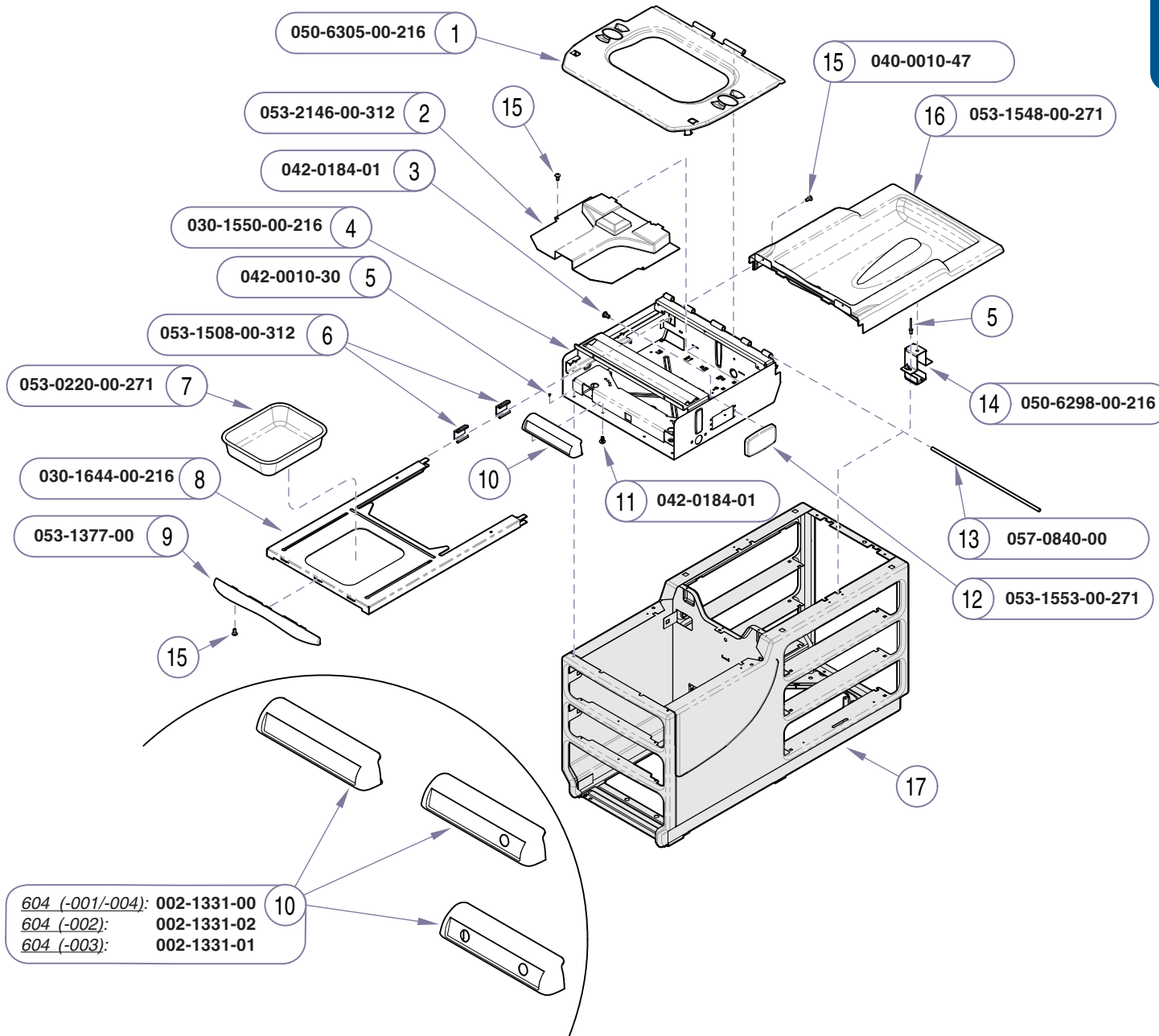


604 (-001/-004): 002-1331-00
 604 (-002): 002-1331-02
 604 (-003): 002-1331-01

Item	Description	Qty.
1	Seat Mounting Plate	1
2	Stirrup Guide	1
3	Screw (K40 x 12)	1
4	Upperwrap	1
5	Pop Rivet	8
6	Glide	4
7	Treatment Pan	1
8	Footrest Shelf	1
9	Footrest Pull	1
10	Switch Housing and Label Kit (includes label)	1
11	Screw	2
12	Cover (models w/o receptacle)	1
13	Hinge Rod	1
14	Top Cover Support Bracket	2
15	Pop Rivet	2
16	Top Cover	2
17	Screw (#10-24 x 3/8")	4
18	Refer to: "Midmark Cabinet"	Ref

Always Specify Model & Serial Number

MA704403i



Item	Description	Qty.
1	Seat Mounting Plate	1
2	Stirrup Guide	1
3	Screw (K40 x 12)	1
4	Upperwrap	1
5	Pop Rivet	14
6	Glide	4
7	Treatment Pan	1
8	Footrest Shelf	1
9	Footrest Pull	1
10	Switch Housing and Label Kit (includes label)	1
11	Screw	2
12	Cover (models w/o receptacle)	1
13	Hinge Rod	1
14	Top Cover Support Bracket	2
15	Screw (#10-24 x 3/8")	6
16	Top Cover	1
17	Refer to: "Midmark Cabinet"	Ref

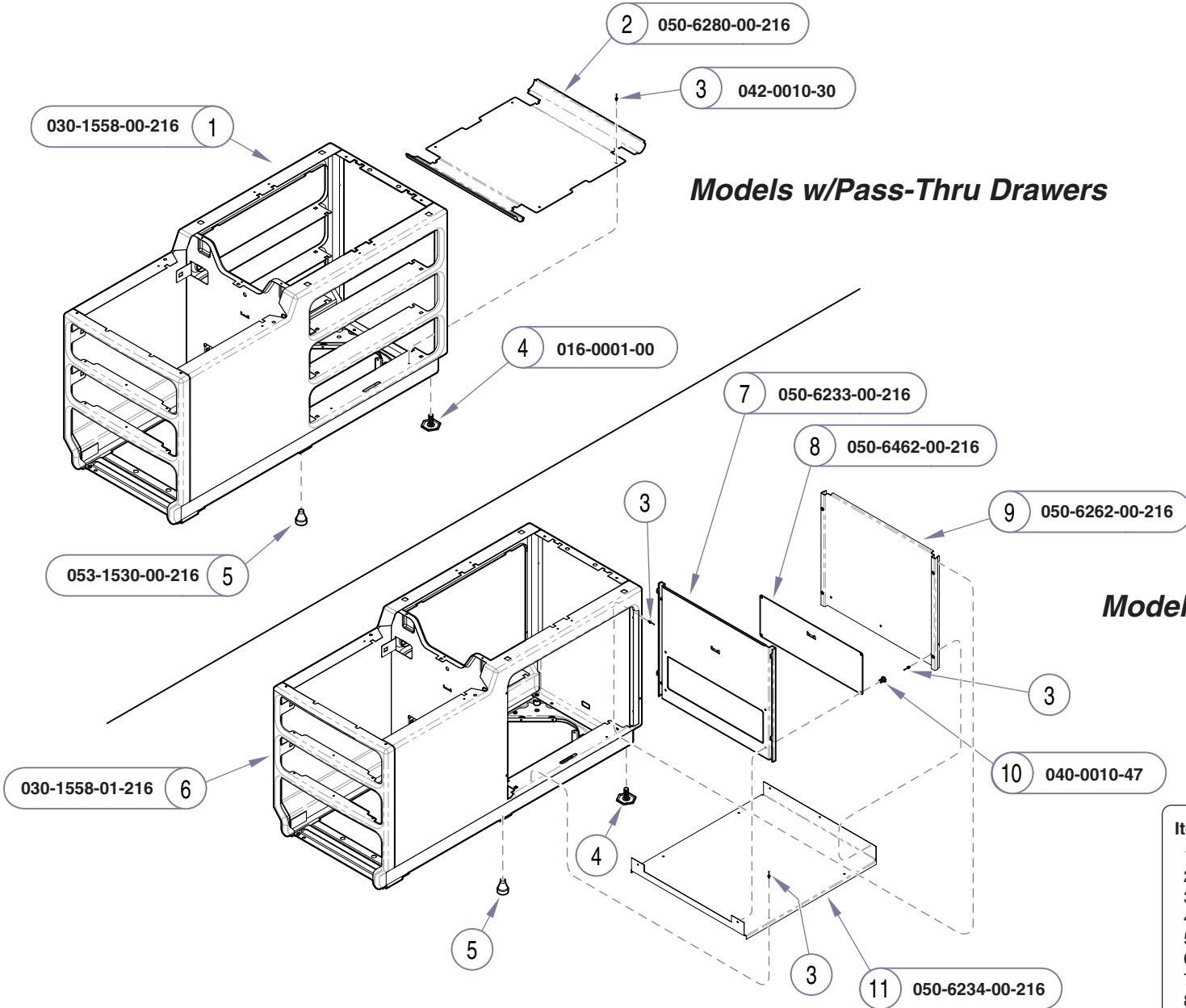
Always Specify Model & Serial Number

MA7044021

Models: 604 (all)
Serial Numbers: V323022 to present

**Midmark Upperwrap
& Footrest Shelf**

E-11.1



Models w/Pass-Thru Drawers

Models w/Bulk Storage Doors

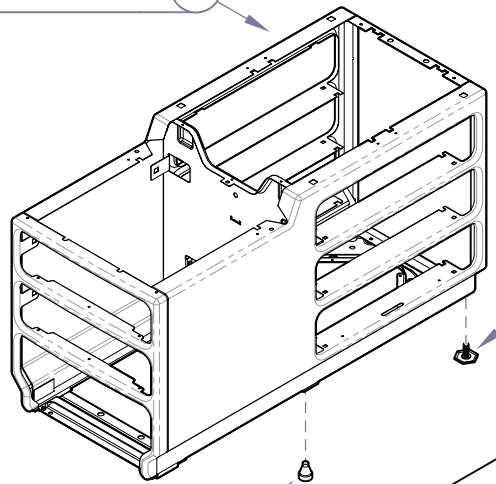
Item	Description	Qty.
1	Ritter Cabinet (w/Pass-Thru Drawers)	1
2	Bottom Panel	1
3	Pop Rivet (5/32")	4
4	Leveling Foot	2
5	Stem Bumper	4
6	Ritter Cabinet (w/Bulk Storage Doors)	1
7	Center Panel	1
8	Access Cover	1
9	End Panel	1
10	Screw (#10-24 x 3/8")	4
11	Bottom Panel	1

Always Specify Model & Serial Number

MA704200i

030-1558-00-216 1

Models w/Pass-Thru Drawers



2 016-0001-00

Models w/Bulk Storage Doors

053-1530-00-216 3

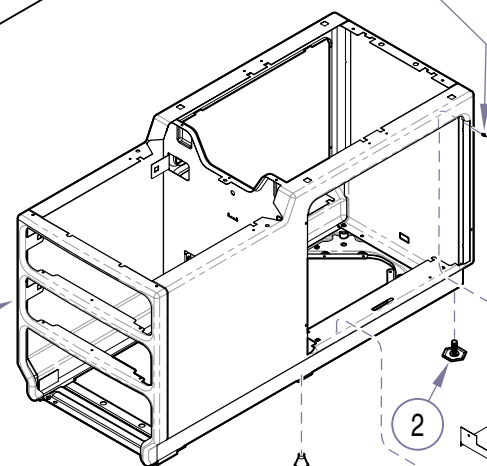
042-0010-30 5

6 050-6233-00-216

7 050-6462-00-216

8 050-6262-00-216

030-1558-01-216 4



3

2

5

10 050-6234-00-216

9 040-0010-47

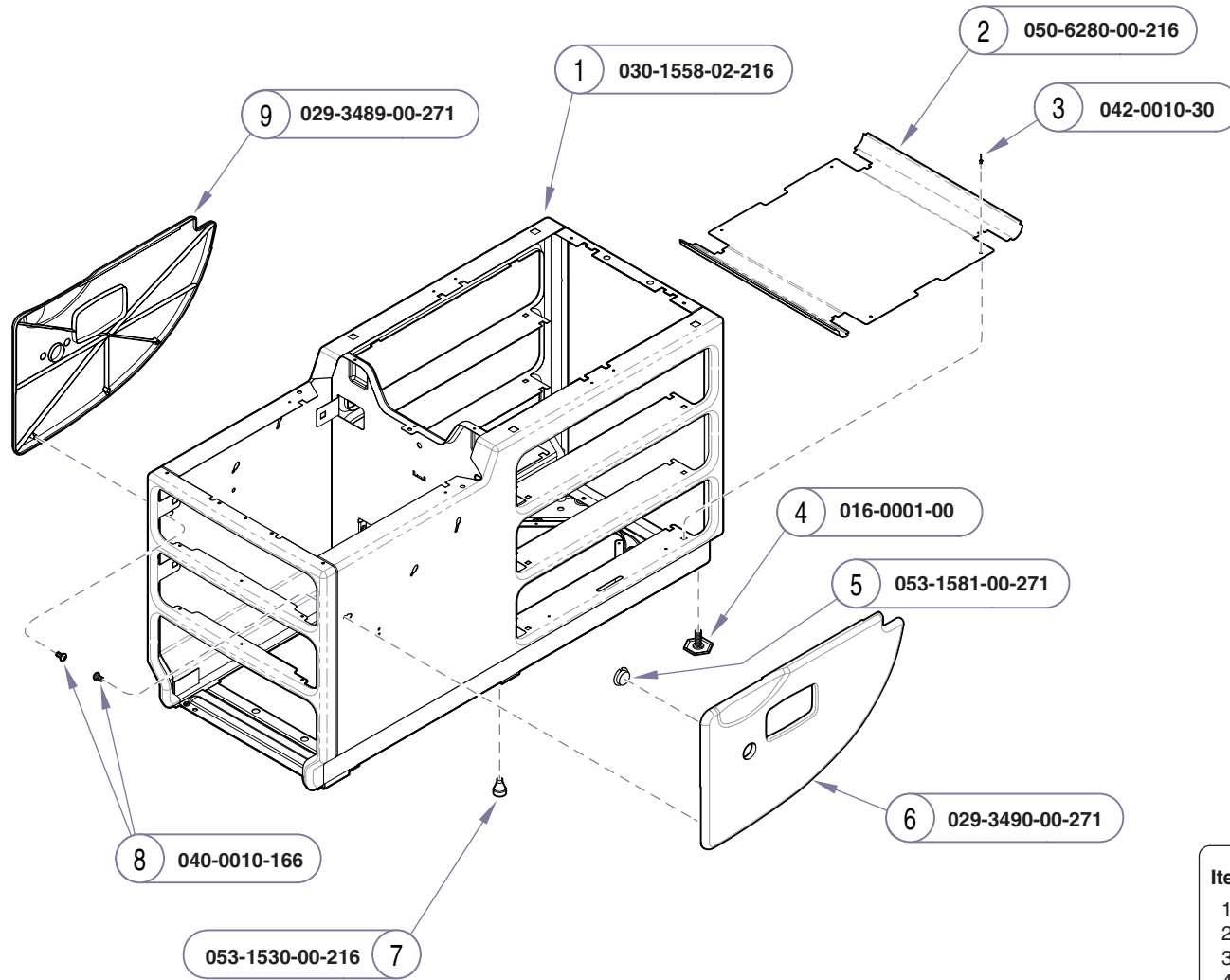
Item	Description	Qty.
1	Ritter Cabinet (w/Pass-Thru Drawers)	1
2	Leveling Foot	2
3	Stem Bumper	4
4	Ritter Cabinet (w/Bulk Storage Doors)	1
5	Pop Rivet (5/32")	4
6	Center Panel	1
7	Access Cover	1
8	End Panel	1
9	Screw (#10-24 x 3/8")	4
10	Bottom Panel	1

Always Specify Model & Serial Number

MA704201i

Models: 204 (all)
Serial Numbers: V264213 thru present

Ritter Cabinet



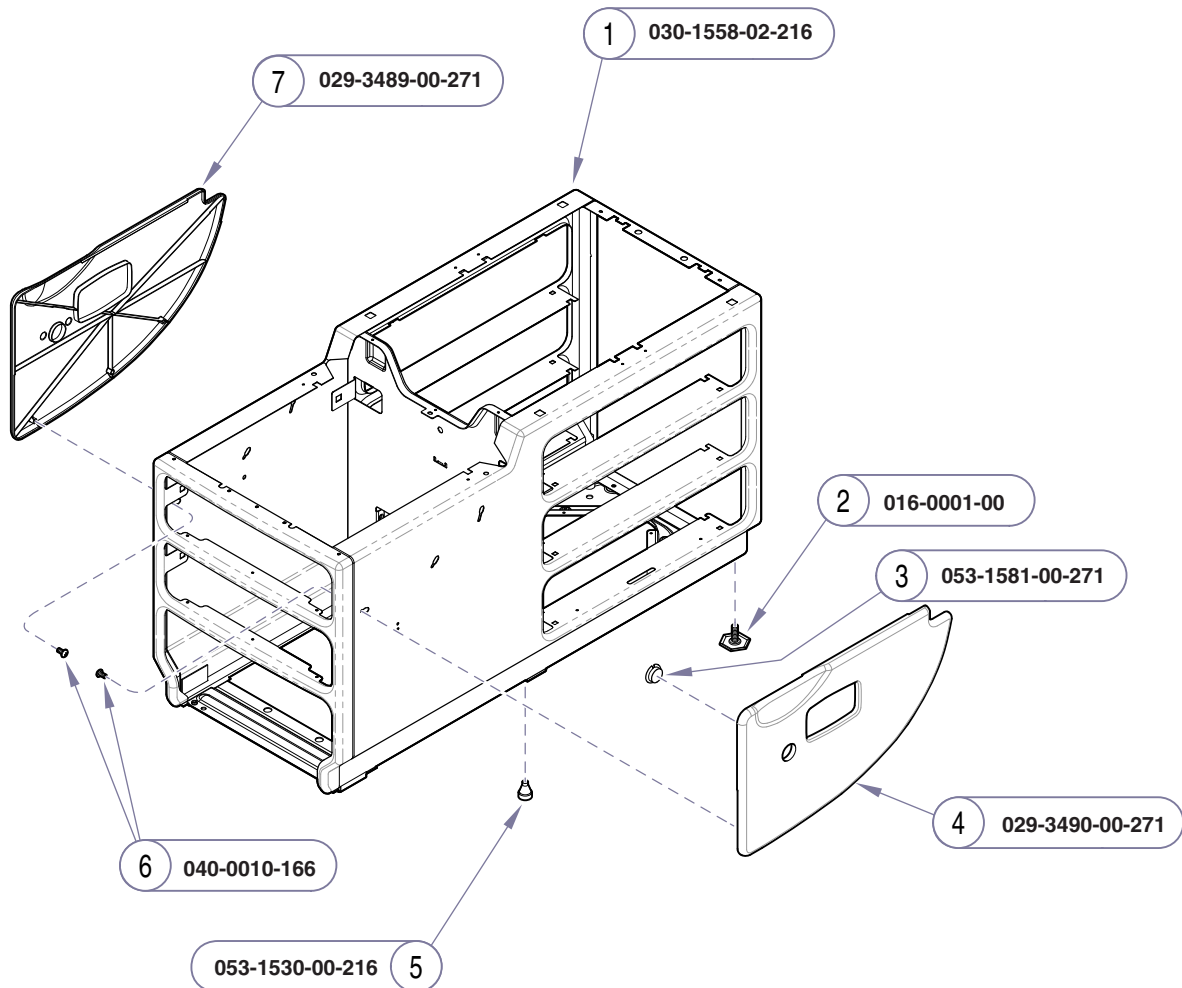
Item	Description	Qty.
1	Midmark Cabinet	1
2	Bottom Panel	1
3	Pop Rivet (5/32")	4
4	Leveling Foot	2
5	Hole Plug	2
6	Side Cladding - Left	1
7	Stem Bumper	4
8	Screw (#10-32 x 3/8")	4
9	Side Cladding - Right	1

Always Specify Model & Serial Number

MA704800i

Midmark Cabinet

Models: 604 (all)
Serial Numbers: V1000 thru V264212



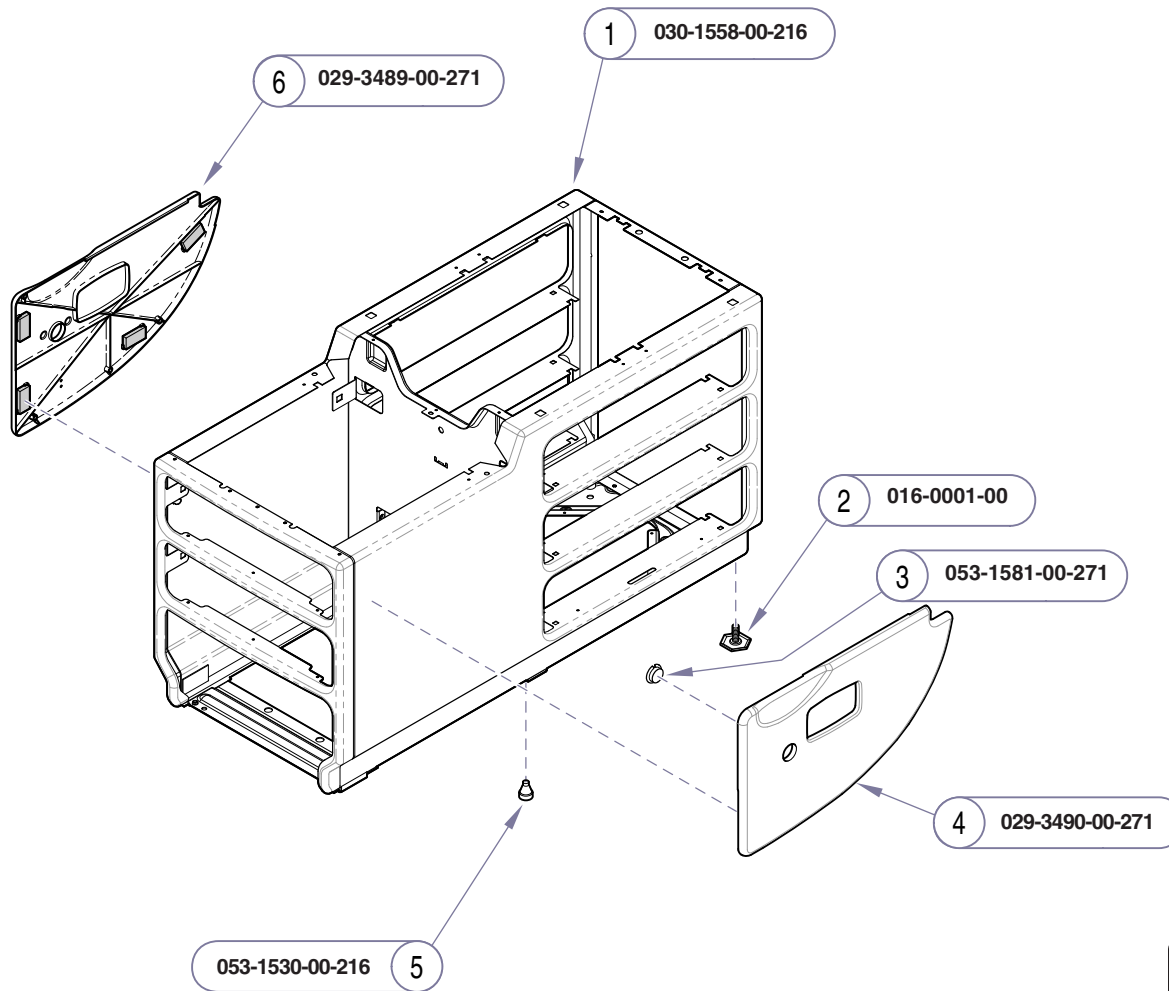
MA704802i

Item	Description	Qty.
1	Midmark Cabinet	1
2	Leveling Foot	2
3	Hole Plug	2
4	Side Cladding - <i>Left</i>	1
5	Stem Bumper	4
6	Screw (#10-32 x 3/8")	4
7	Side Cladding - <i>Right</i>	1

Always Specify Model & Serial Number

Models: 604 (all)
Serial Numbers: V264213 thru V1177444

Midmark Cabinet

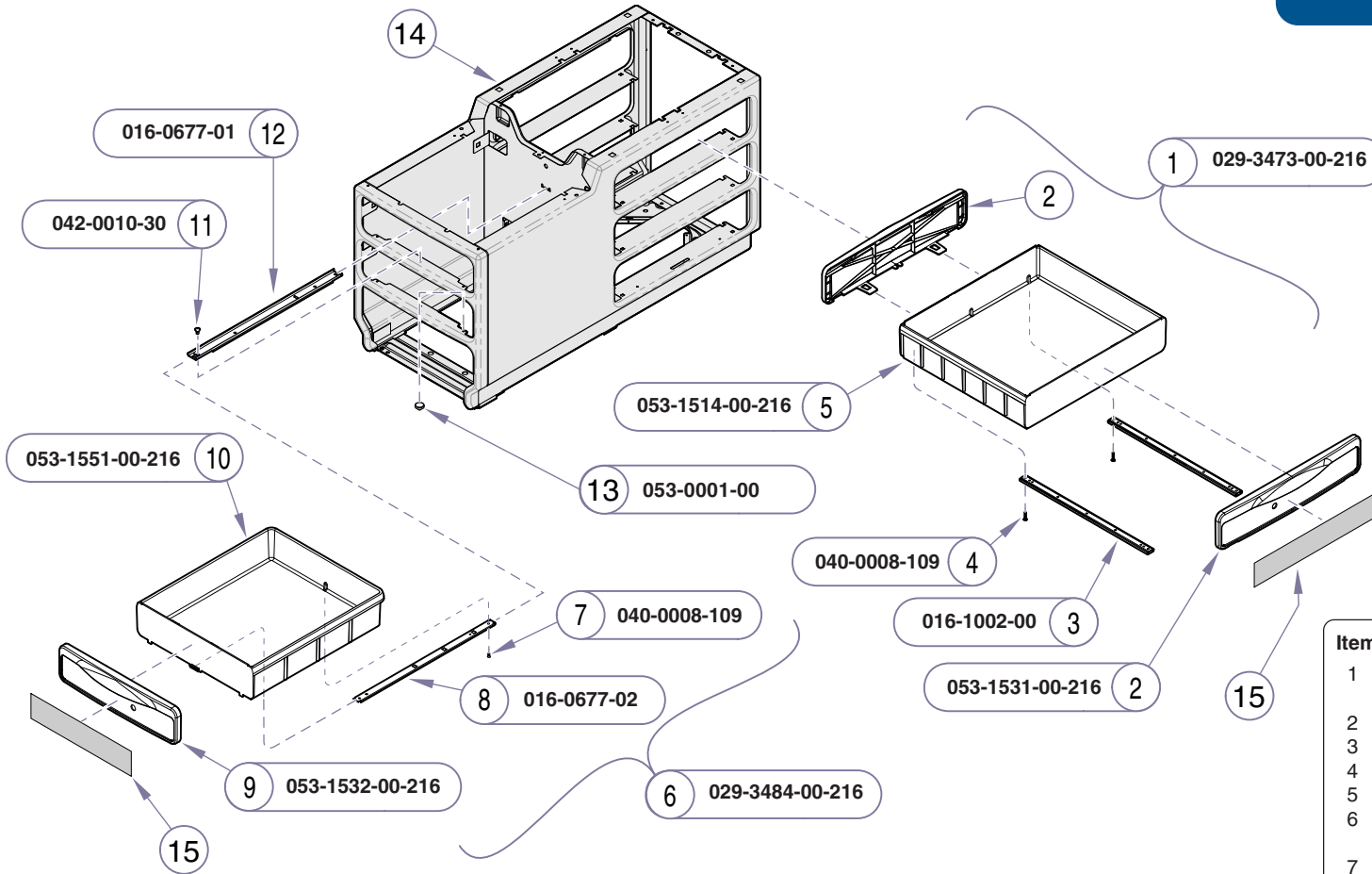


Item	Description	Qty.
1	Midmark Cabinet	1
2	Leveling Foot	2
3	Hole Plug	2
4	Magnetic Side Cladding - <i>Left</i>	1
5	Stem Bumper	4
6	Magnetic Side Cladding - <i>Right</i>	1

Always Specify Model & Serial Number

MA704803i

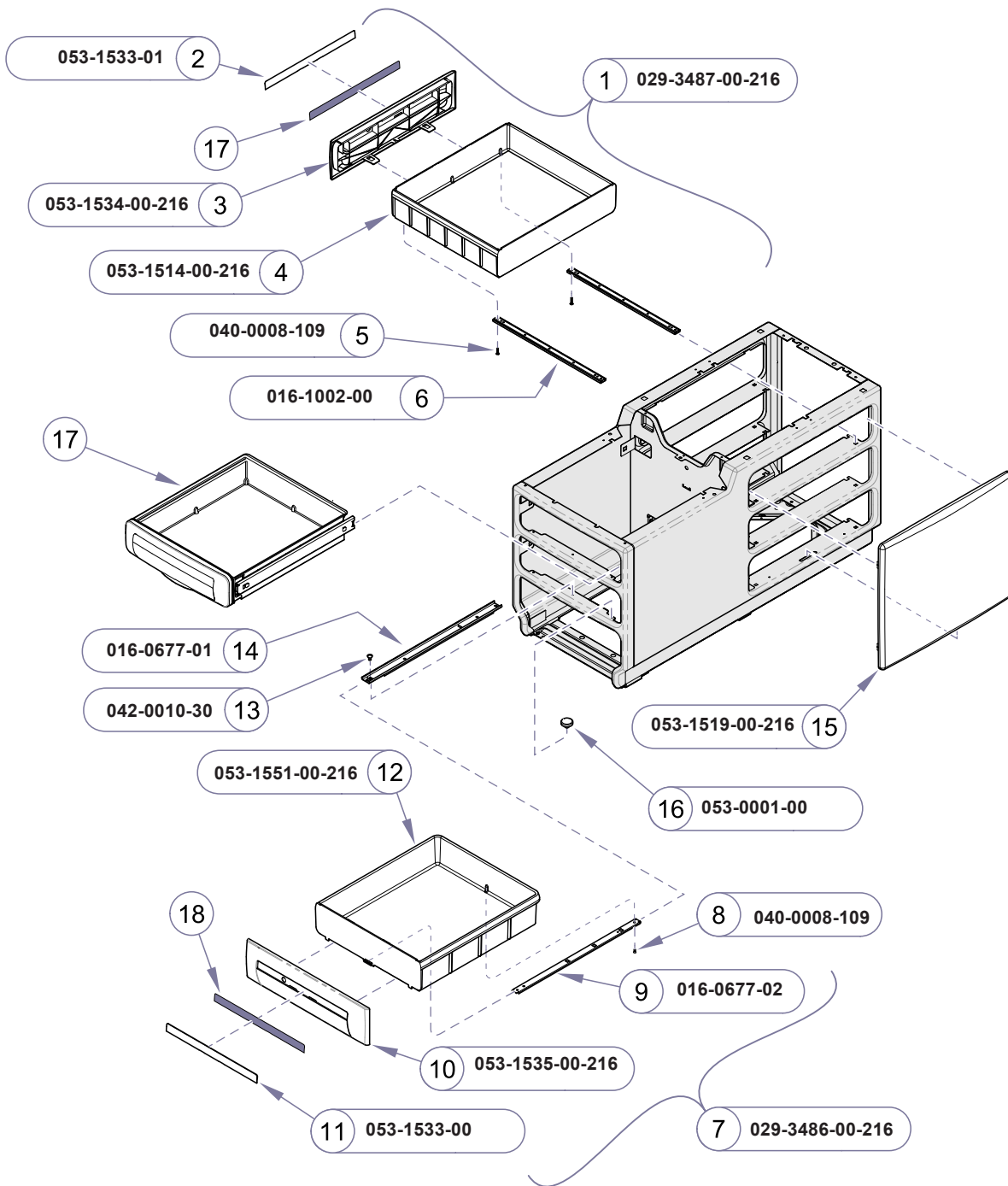
Refer To:	Page
Upholstery - Ritter	
Soft Touch	E-5
Seamless	E-6
Ritter Cabinet	E-12



Item	Description	Qty.
1	Side Drawer Assembly (includes items 2 thru 5)	3
2	• Drawer Front (side)	2
3	• Slide Assembly	2
4	• Screw (#8 x 1")	4
5	• Drawer (side)	1
6	Foot-End Drawer Assembly (includes items 7 thru 10)	2
7	• Screw (#8-32 x 1/2")	1
8	• Drawer Slide (foot-end)	1
9	• Drawer Front (foot-end)	1
10	• Drawer (foot-end)	1
11	Pop Rivet	2
12	Cabinet Slide	2
13	Stem Bumper	4
14	Refer to: "Ritter Cabinet"	Ref
15	Refer to: "Upholstery - Ritter"	Ref

Always Specify Model & Serial Number

MA703500i



Refer To:	Page
Upholstery - Midmark:	
Premium	E-7
Ultra-Premium	E-8
Exam Assistant Drawer Assy	E-25

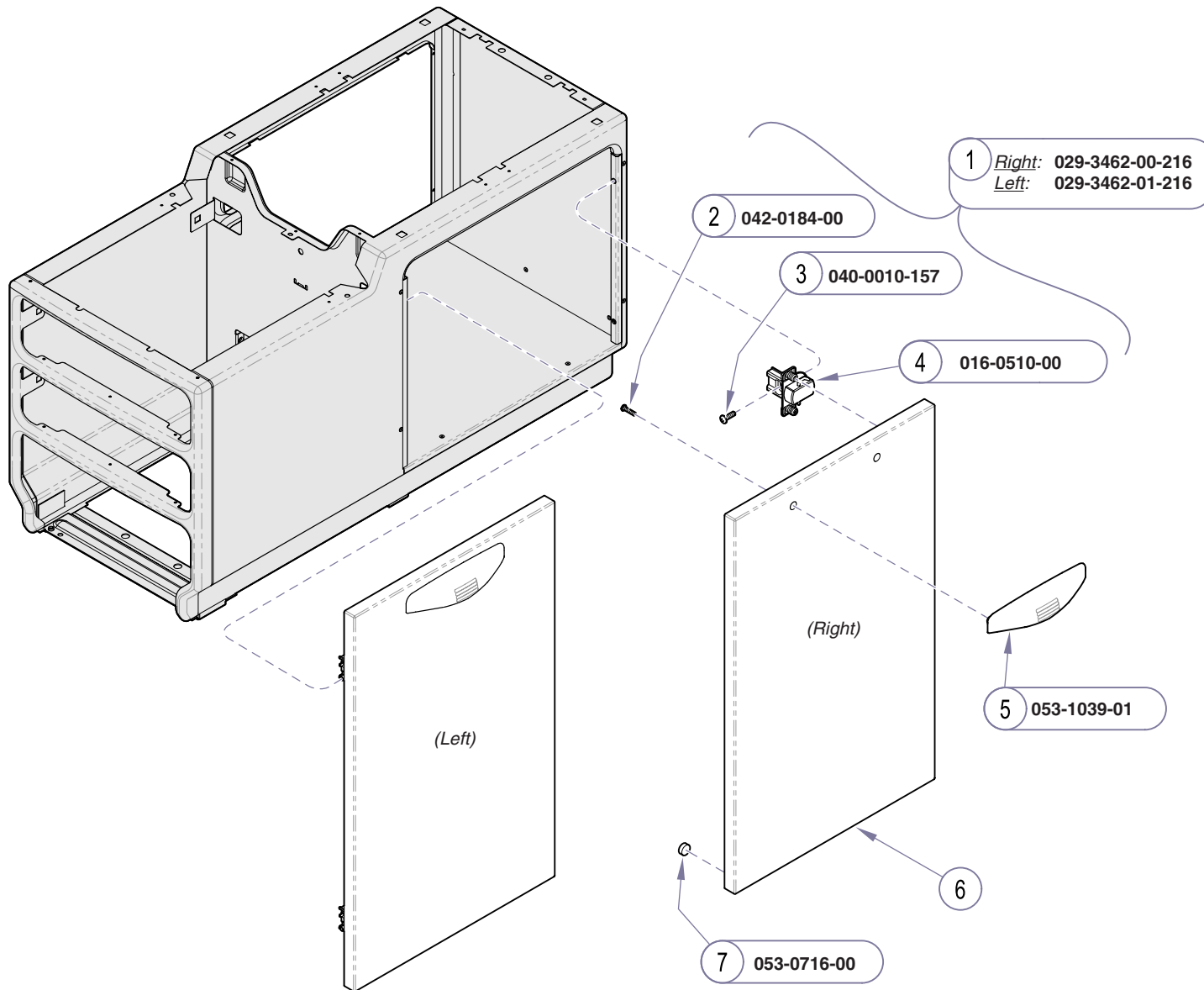
Item	Description	Qty.
1	Side Drawer Assembly (includes items 2 thru 6)	3
2	• Insert Cover (side)	1
3	• Drawer Front (side)	1
4	• Plastic Drawer (side)	1
5	• Screw (#8 x 1", self-tapping)	2
6	• Drawer Slide Assembly (side)	2
7	Foot-End Drawer Assembly (includes items 8 thru 12)	2
8	• Screw (#8 x 1", self-tapping)	2
9	• Drawer Slide (foot-end)	1
10	• Drawer Front (foot-end)	1
11	• Insert Cover (foot-end)	1
12	• Plastic Drawer (foot-end)	1
13	Pop Rivet	1
14	Cabinet Slide (foot-end)	1
15	Side Panel	1
16	Stem Bumper	4
17	Refer to: Exam Assistant™ Drawer Assembly	Ref
18	Refer to: "Midmark Upholstery"	Ref

Always Specify Model & Serial Number

MA704600i

Models: 604 (all)
Serial Numbers: All

Midmark Drawers



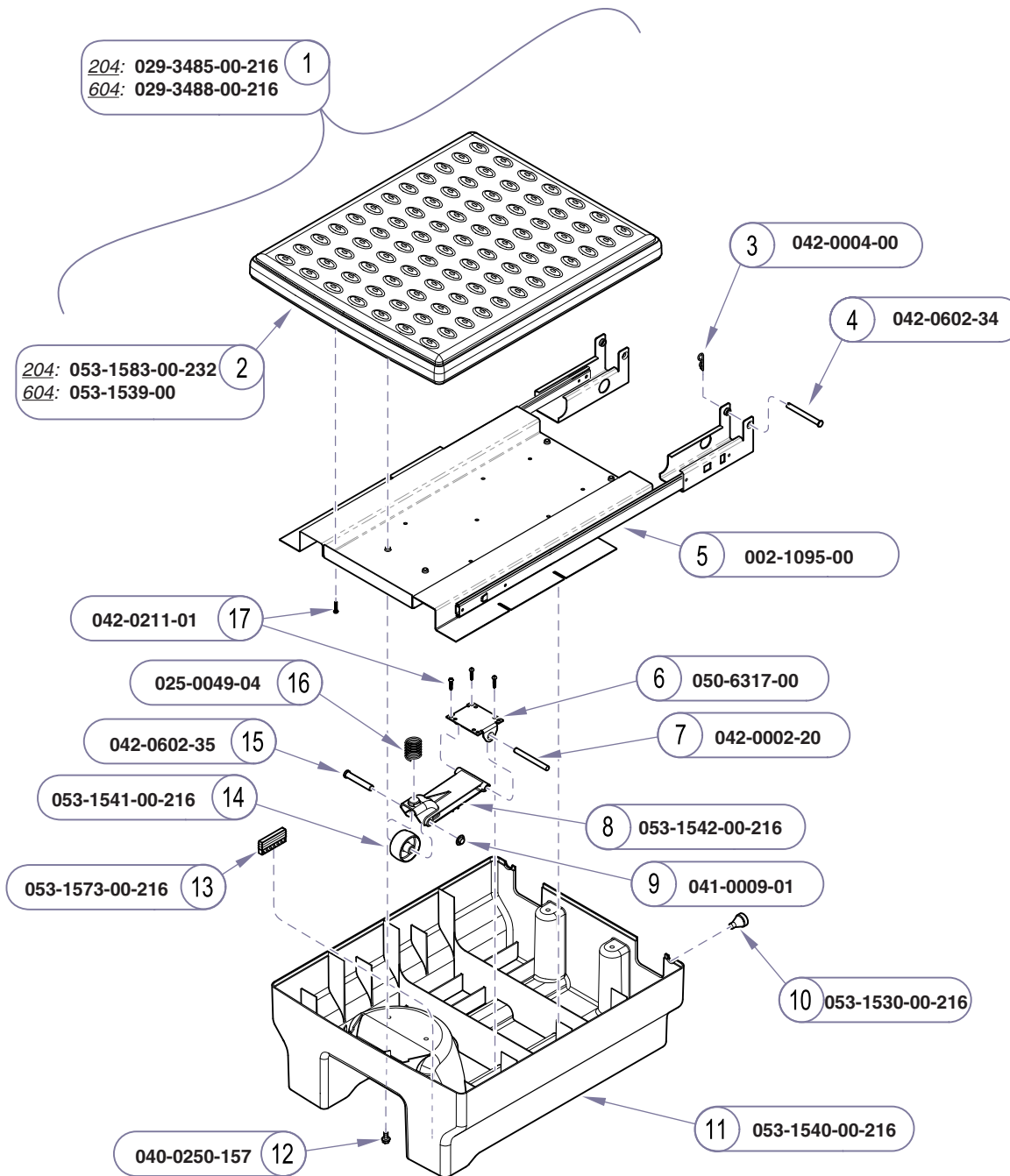
Item	Description	Qty.
1	Door Assembly (includes items 2 thru 7)	4
2	• Screw (K40 x 16)	2
3	• Screw	2
4	• Hinge	2
5	• Handle	1
6	• Door Panel (not available)	1
7	• Bumper	2

Always Specify Model & Serial Number

MA704700i

Bulk Storage Doors

Models: 204 (-003 & -004)
Serial Numbers: All



Item	Description	Qty.
1	Step Assembly (includes items 2 thru 17)	1
2	• Step Cover (204 shown)	1
3	• Hitch Pin	2
4	• Clevis Pin	2
5	• Slide Center Assembly Kit (includes two slides / mtg. brackets)	1
6	• Support Bracket	2
7	• Dowel Pin	2
8	• Trailing Arm	2
9	• Push Nut	2
10	• Bumper	2
11	• Step Bottom	1
12	• Hex Bolt (1/4-20 x 1/2")	4
13	• Friction Bumper	2
14	• Roller	2
15	• Clevis Pin	2
16	• Spring	2
17	• Screw (5 x 20 mm)	10

Always Specify Model & Serial Number

MA703600i

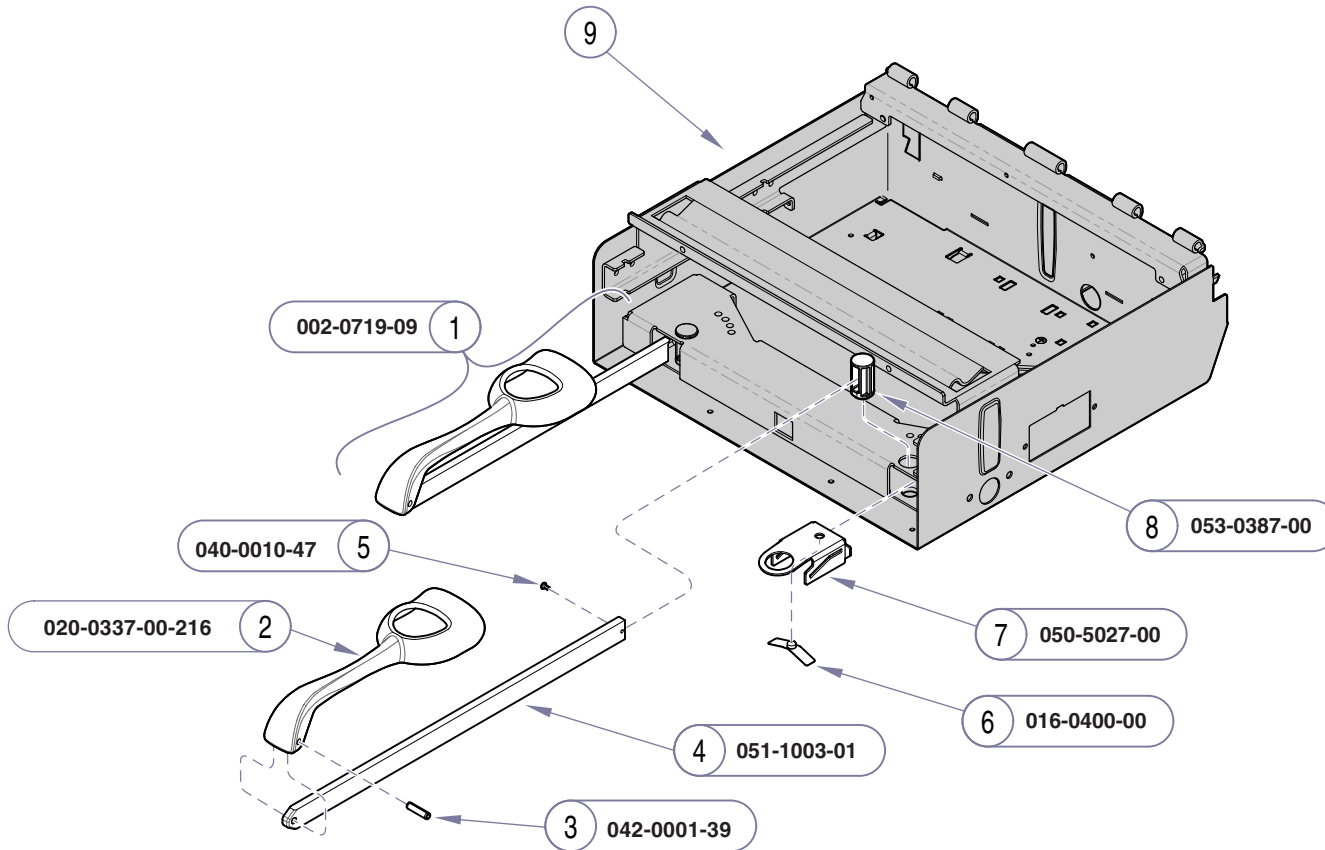
Models: All
Serial Numbers: All

Foot Step

Upperwrap & Footrest Shelf:

Ritter E-10

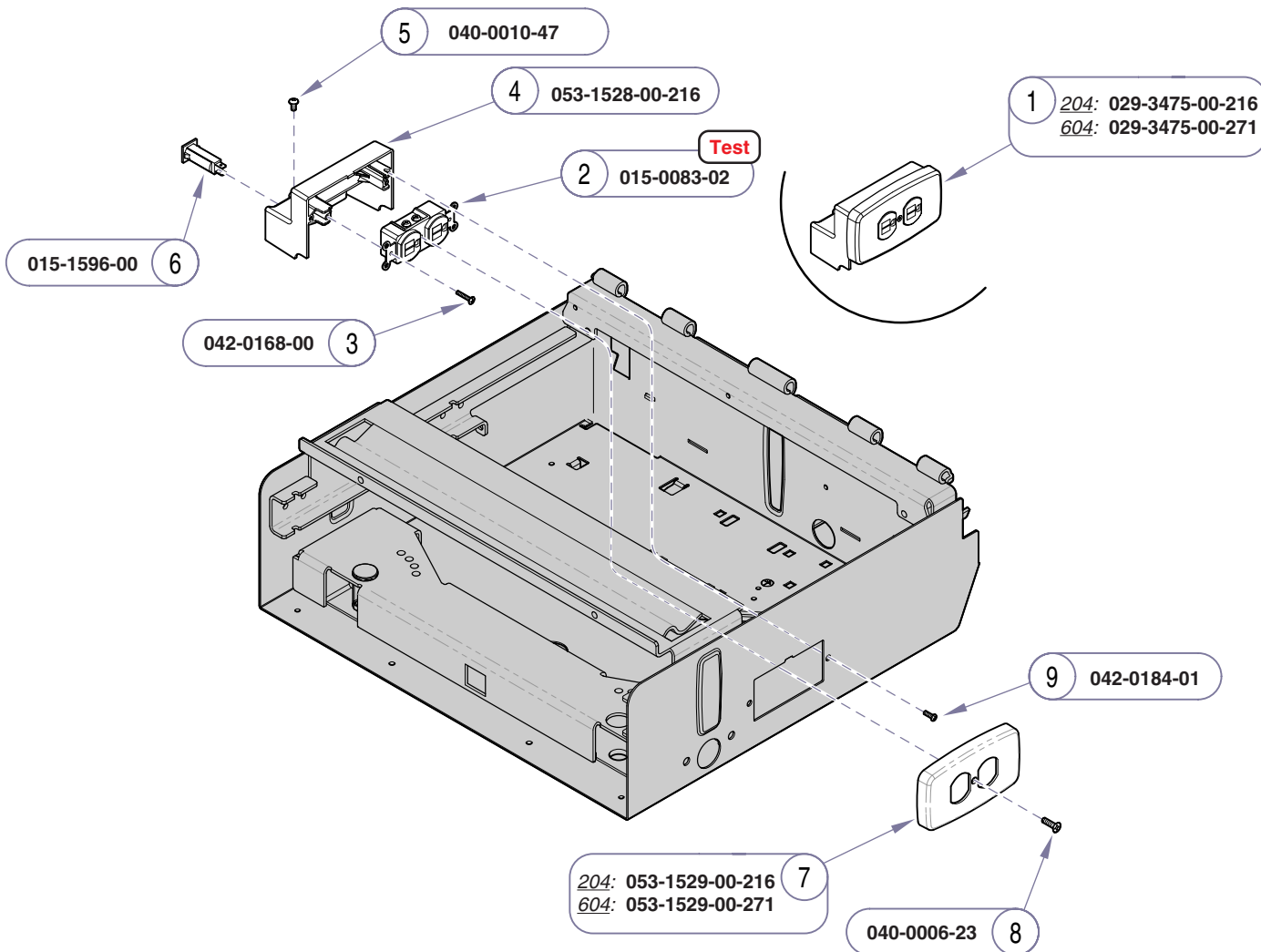
Midmark E-11



MA7039001

Item	Description	Qty.
1	Stirrup Assembly Set (incl. 2 assemblies) (includes items 2 thru 4)	1
2	• Stirrup	1
3	• Roll Pin	1
4	• Stirrup Bar	1
5	Screw (24 - 3/8")	2
6	Guide Bracket Spring	2
7	Guide Bracket	2
8	Pivot Boss	2
9	Refer to: "Upperwrap & Footrest Shelf" . Ref	

Always Specify Model & Serial Number



MA704101i

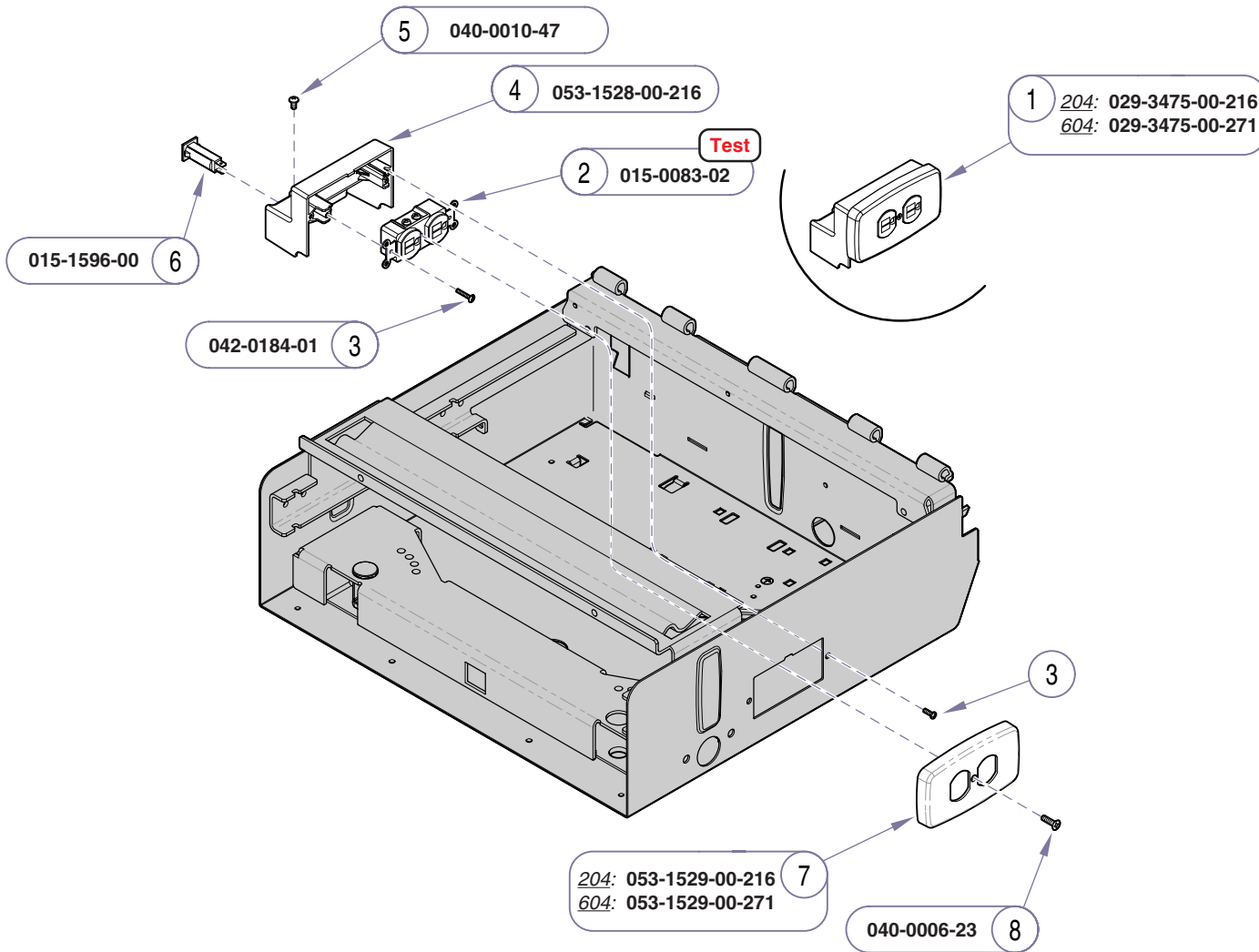
Item	Description	Qty.
1	Table Receptacle Assembly (includes items 2 thru 8)	1
2	• Duplex Receptacle (w/screws)	1
3	• Screw (M3.5 X 10)	2
4	• Circuit Breaker Housing	1
5	• Screw (#10-24 x 3/8")	1
6	• Circuit Breaker (5 amp)	2
7	• Receptacle Cover Plate	1
8	• Screw (#6-32 x 1/2")	1
9	• Screw (M4 x 12)	2

Always Specify Model & Serial Number

Models: 204 (-001 thru -004)
 Serial Numbers: V1000 thru V237758

604 (-001 thru -003)
 V1000 thru VV237758

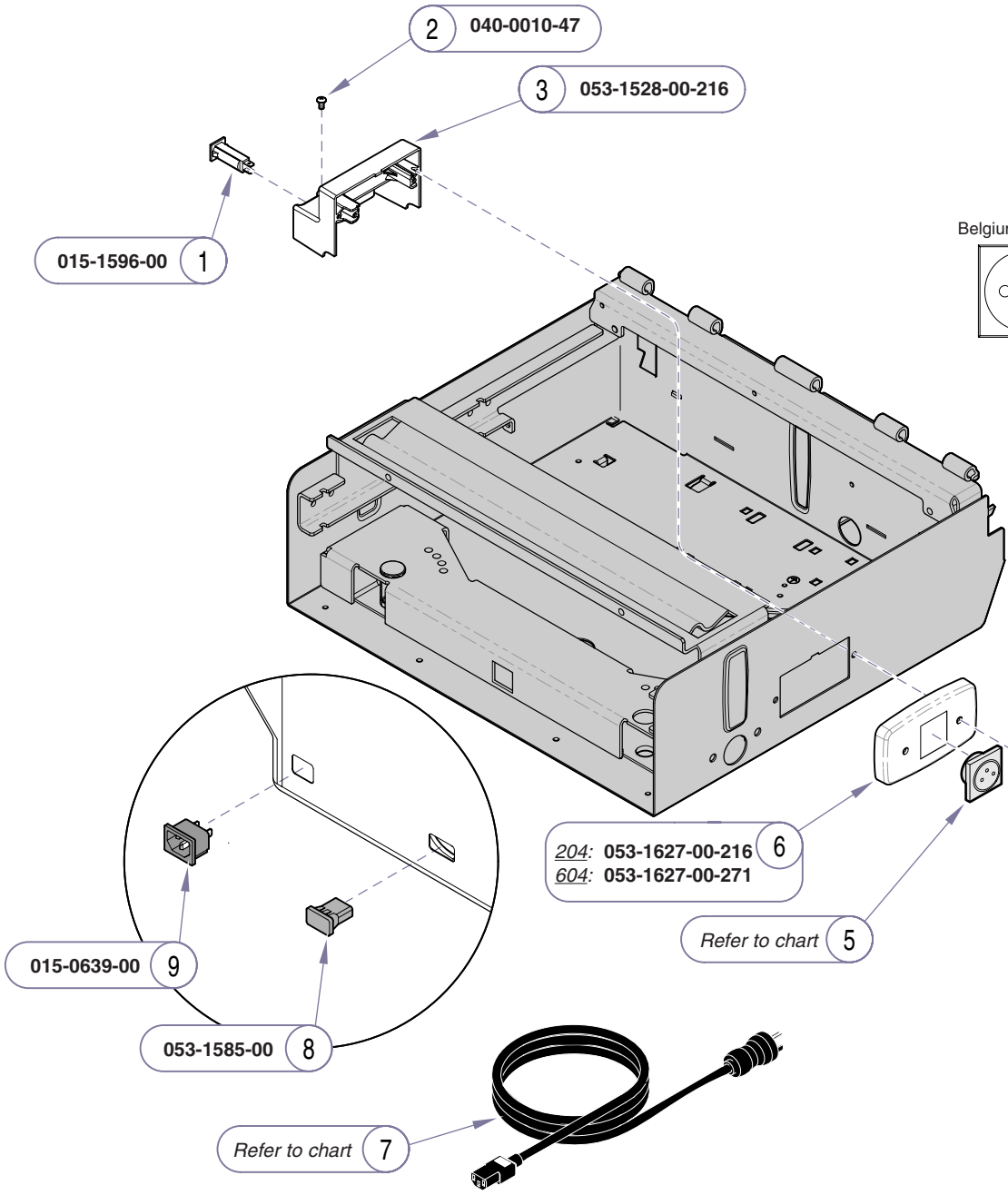
**Table Receptacle
 System - 120 V**



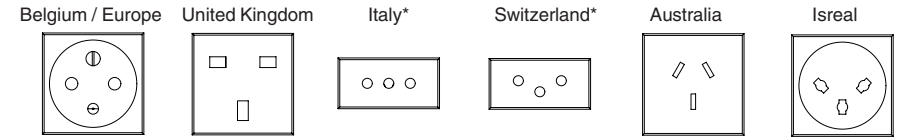
MA704102i

Item	Description	Qty.
1	Table Receptacle Assembly (includes items 2 thru 8)	1
2	• Duplex Receptacle (w/screws)	1
3	• Screw (M4 x 12)	4
4	• Circuit Breaker Housing	1
5	• Screw (#10-24 x 3/8")	1
6	• Circuit Breaker (5 amp)	2
7	• Receptacle Cover Plate	1
8	• Screw (#6-32 x 1/2")	1

Always Specify Model & Serial Number



International Receptacle Styles



Country	Item #5	Item #7
Belgium / Europe	015-1294-00	015-0363-00
United Kingdom	015-1294-02	015-0363-03
Italy	015-1294-03*	015-0363-01
Switzerland	015-1294-04*	015-0363-02
Australia	015-1294-05	015-0363-04
Isreal	015-1294-06	015-0363-05

* Spacer required (#015-1294-07) - not shown

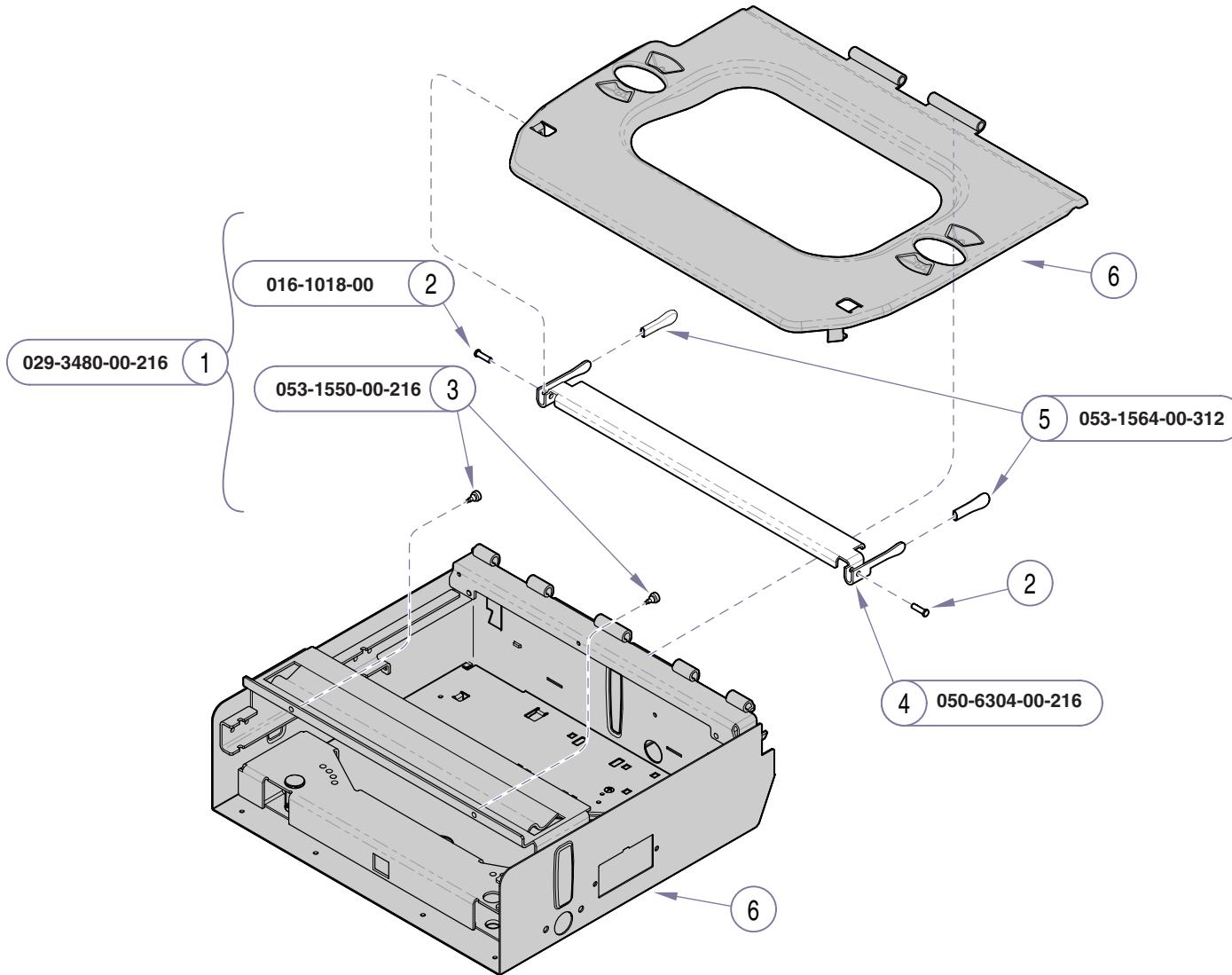
Item	Description	Qty.
1	Circuit Breaker (5 amp)	2
2	Screw (#10-24 x 3/8")	1
3	Circuit Breaker Housing	1
4	Screw (M4 x 12)	2
5	Receptacle	1
6	Receptacle Cover Plate	1
7	Power Cord	1
8	Hole Plug	1
9	IEC Inlet	1

Always Specify Model & Serial Number

MA737900i

Models: | **204 (-006 & -007)** | **604 (-005 & -006)**
Serial Numbers: | All | All

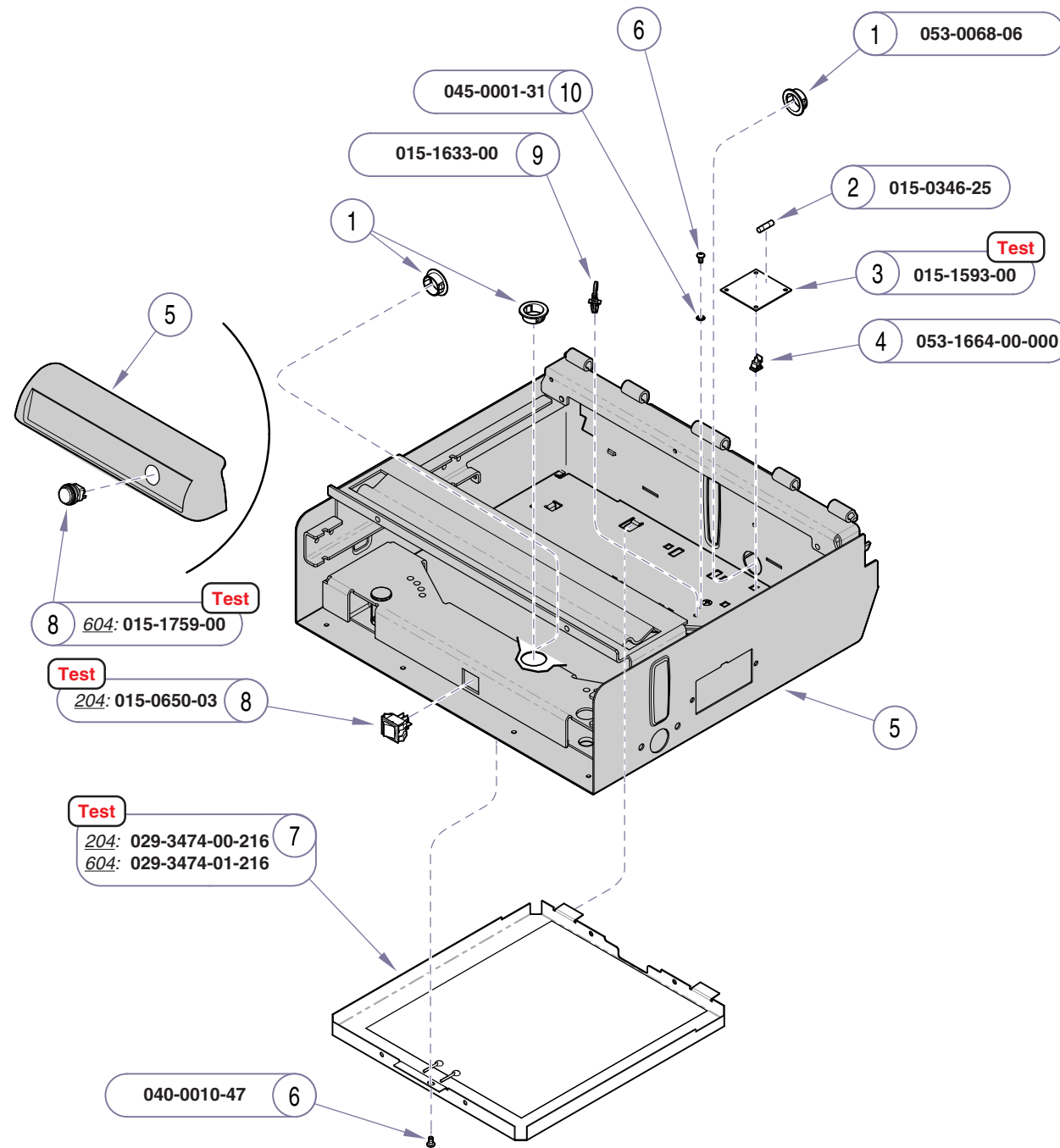
Table Receptacle System - 230 V



Item	Description	Qty.
1	Pelvic Tilt Assembly (includes items 2 thru 5)	1
2	• Pivot Pin	2
3	• Bumper	2
4	• Bracket	1
5	• Handle	2
6	Refer to: "Upperwrap & Footrest Shelf" ... Ref	

Always Specify Model & Serial Number

MA704900i



MA705200i

Refer To: **Page**
 Drawer Heater System **Test** B-6
 Upperwrap & Footrest Shelf:
 Midmark E-11

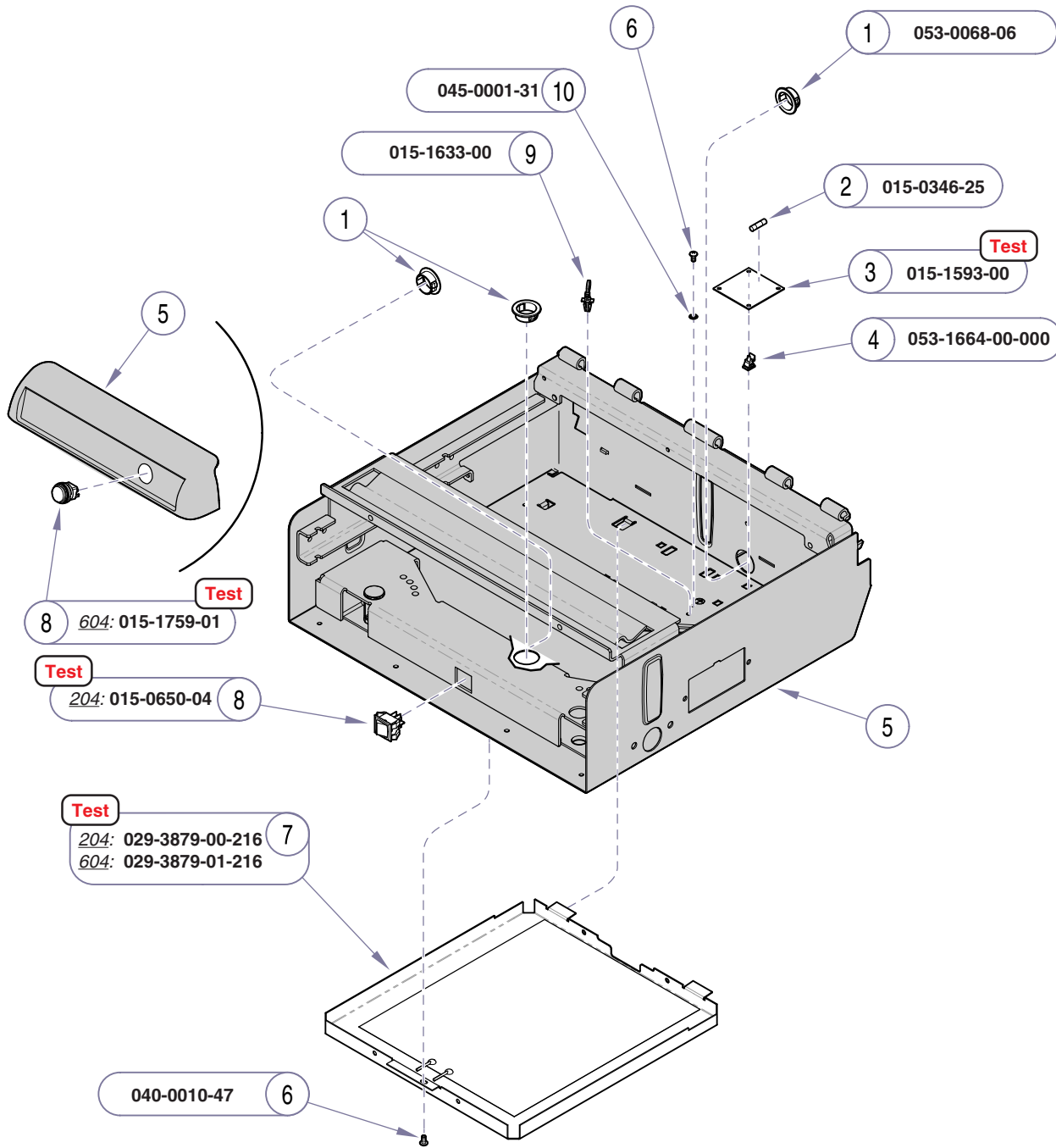
Item	Description	Qty.
1	Snap Bushing	3
2	Fuse (250V, 0.8 amp, 5 x 20 mm, Time-Lag)	2
3	Distribution Board	1
4	Standoff	4
5	Refer to: MidmarkUpperwrap & Footrest Shelf	Ref
6	Screw (#10-24 x 3/8")	2
7	Heater Plate Kit (includes item 8, and one each of items 1 & 6)	1
8	• Drawer Heater Switch	1
9	Cable Tie	2
10	Lockwasher (#10)	1

Always Specify Model & Serial Number

Models: | **204 (-001 thru -004)** | **604 (-002 & -003)**
Serial Numbers: | All | All

**Drawer Heater
System - 120 V**

Refer To: **Page**
 Drawer Heater System **Test** B-6
 Upperwrap & Footrest Shelf:
 Midmark E-11

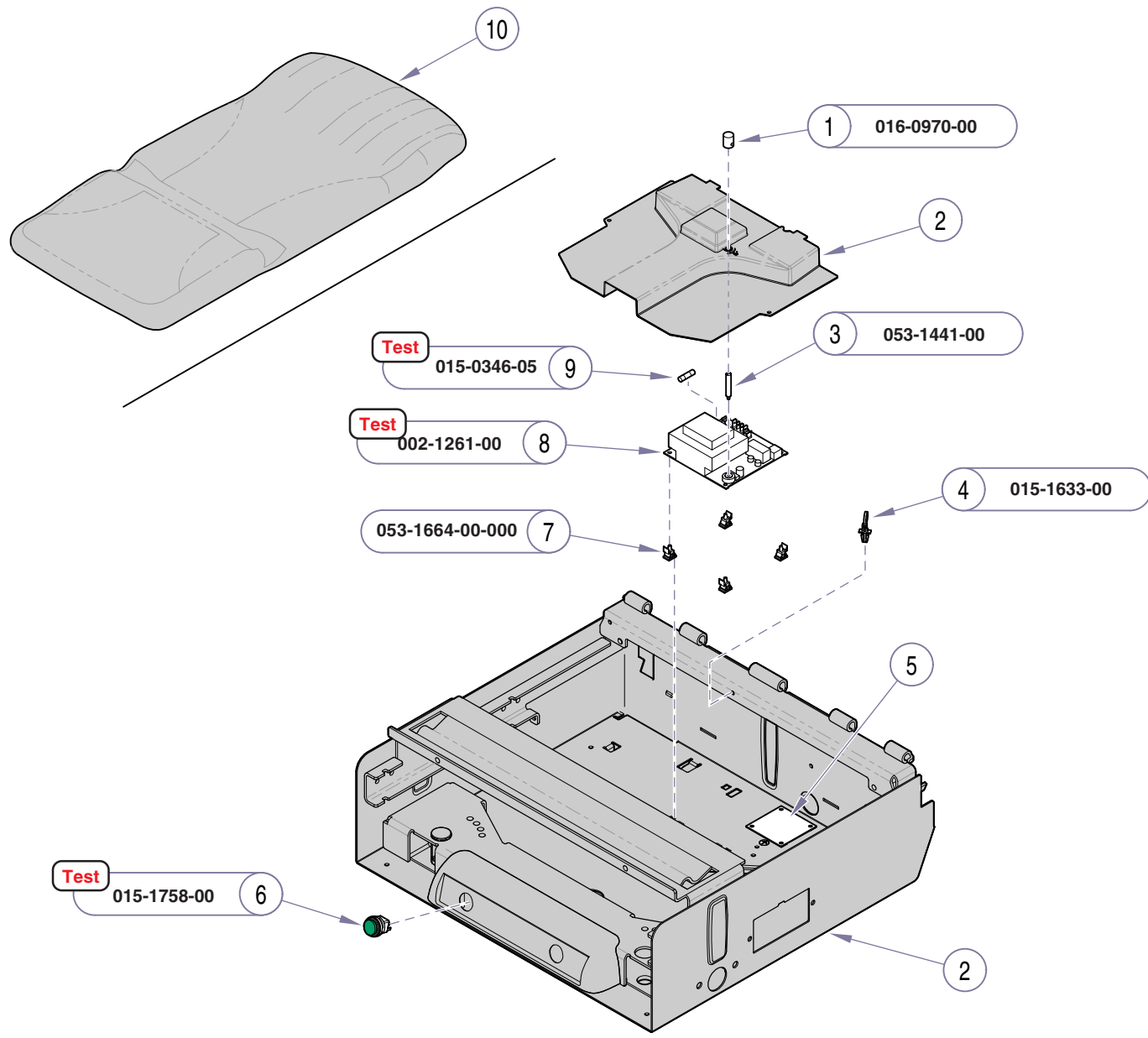


MA705200i

Item	Description	Qty.
1	Snap Bushing	3
2	Fuse (250V, 0.8 amp, 5 x 20 mm, Time-Lag)	2
3	Distribution Board	1
4	Standoff	4
5	Refer to: MidmarkUpperwrap & Footrest Shelf Ref	
6	Screw (#10-24 x 3/8")	2
7	Heater Plate Kit (includes item 8, and one each of items 1 & 6)	1
8	• Drawer Heater Switch	1
9	Cable Tie	2
10	Lockwasher (#10)	1

Always Specify Model & Serial Number

Refer To:	Page
Uph. Heater System Test	B-14
Upperwrap & Footrest Shelf:	
<i>Midmark</i>	E-11
Midmark Upholstery:	
<i>Premium</i>	E-7
<i>Ultra-Premium</i>	E-8



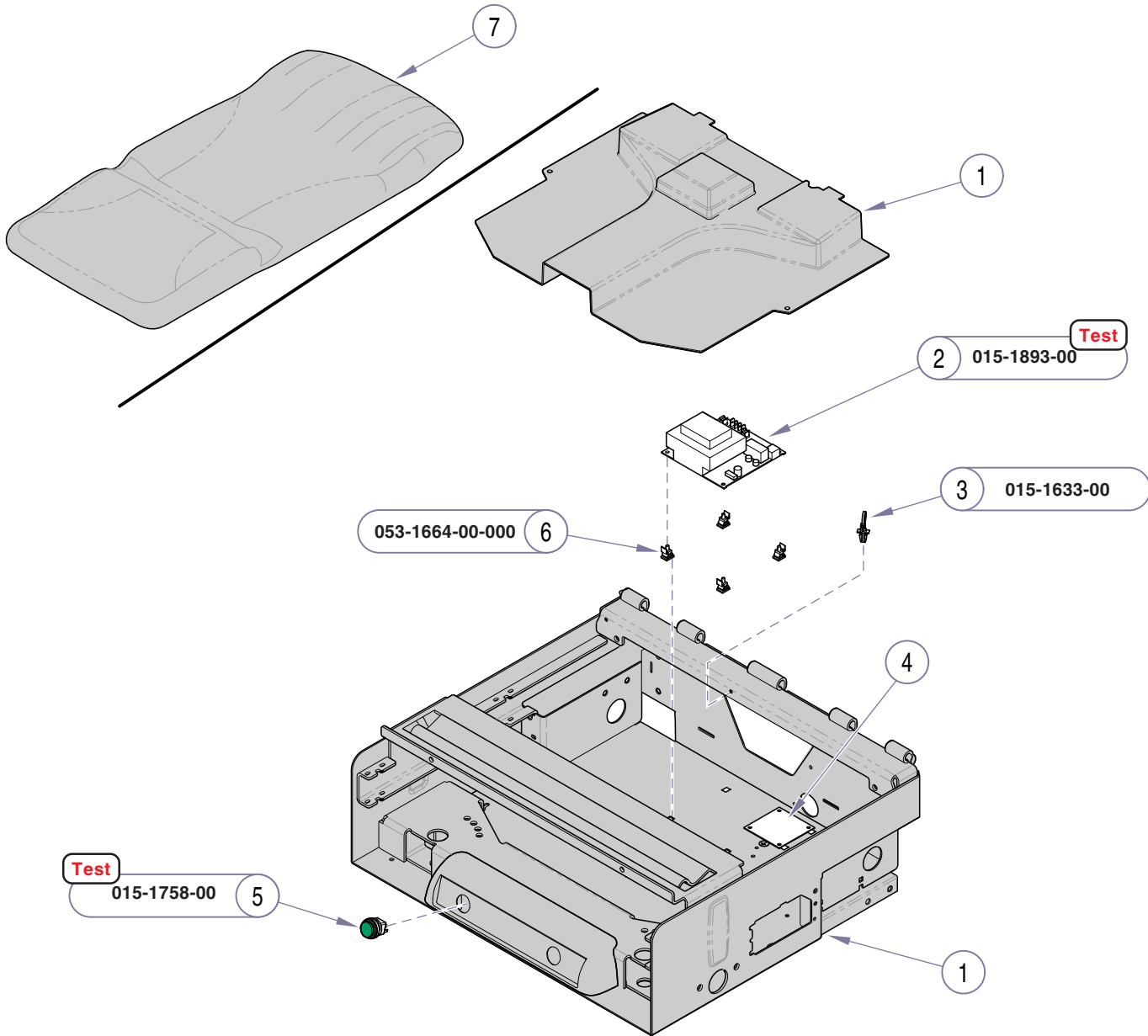
Item	Description	Qty.
1	Adjustment Knob	1
2	Refer to: <i>Midmark Upperwrap & Footrest Shelf ...</i> Ref	
3	Adjustment Shaft	1
4	Cable Tie	3
5	Refer to: <i>Drawer Heater System</i>	Ref
6	Upholstery Heater Switch (<i>green</i>)	1
7	Standoff	4
8	Uph. Heater PC Board Kit (includes items 2 & 9)	1
9	• Fuse (250V, .5A, <i>Slo-Blo</i> , 1/4" x 1-1/4") ..	2
10	Refer to: <i>Midmark Upholstery</i>	Ref

Always Specify Model & Serial Number

MA705300i

Models: 604 (-003)
Serial Numbers: V2200 thru V857486

Upholstery Heater System

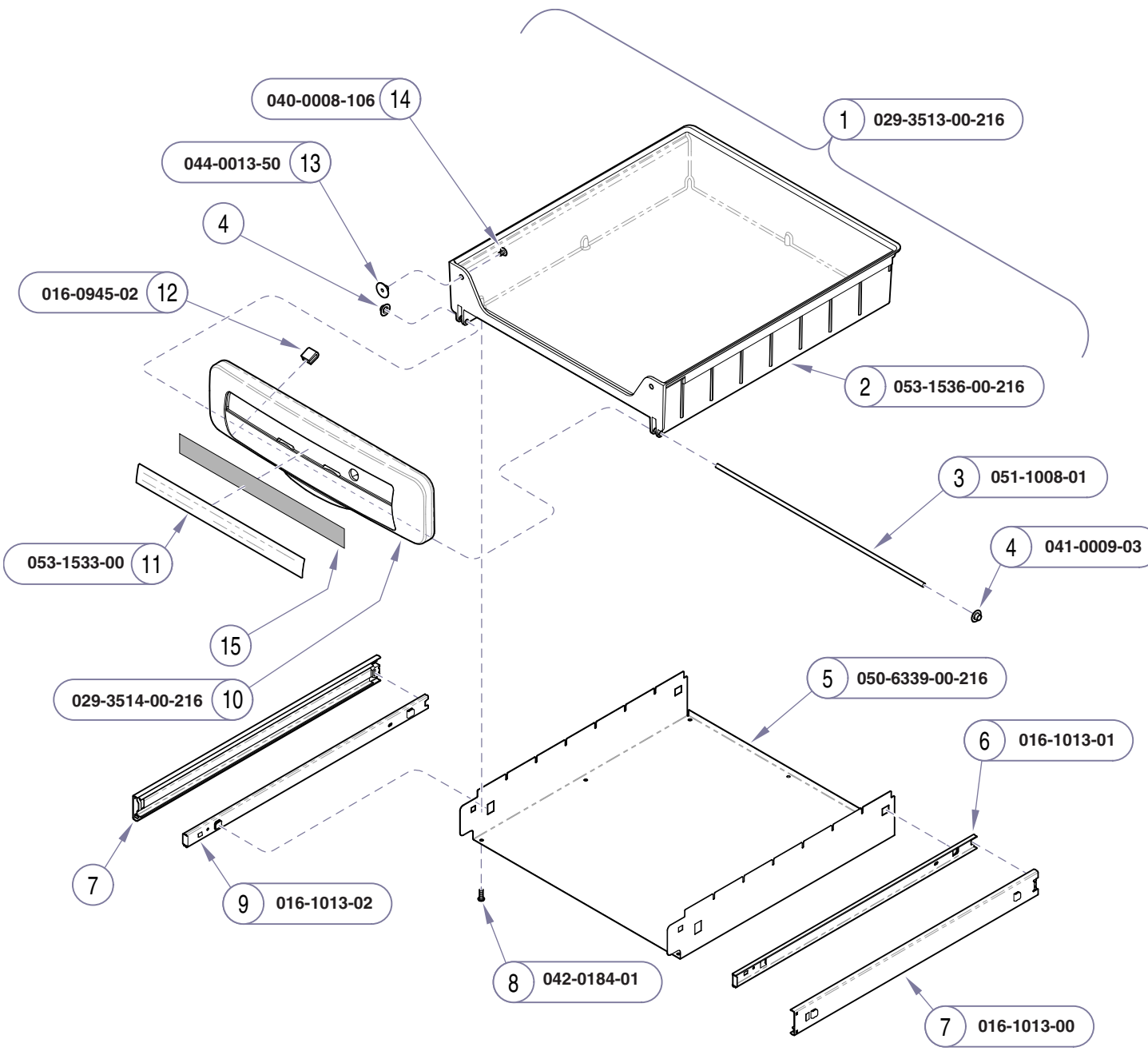


Refer To:	Page
Uph. Heater System Test	B-14
Upperwrap & Footrest Shelf:	
Midmark	E-11
Midmark Upholstery:	
Premium	E-7
Ultra-Premium	E-8

Item	Description	Qty.
1	Refer to: "Midmark Upperwrap & Footrest Shelf"	Ref
2	Upholstery Heater PC Board	1
3	Wrap-n-Tap Wire Tire	3
4	Refer to: "Drawer Heater System"	Ref.
5	Upholstery Heater Switch (green)	1
6	PC Board Standoffs	4
7	Refer to: "Upholstery - Midmark"	Ref

Always Specify Model & Serial Number

Refer To:	Page
Midmark Upholstery:	
Premium	E-7
Ultra-Premium	E-8



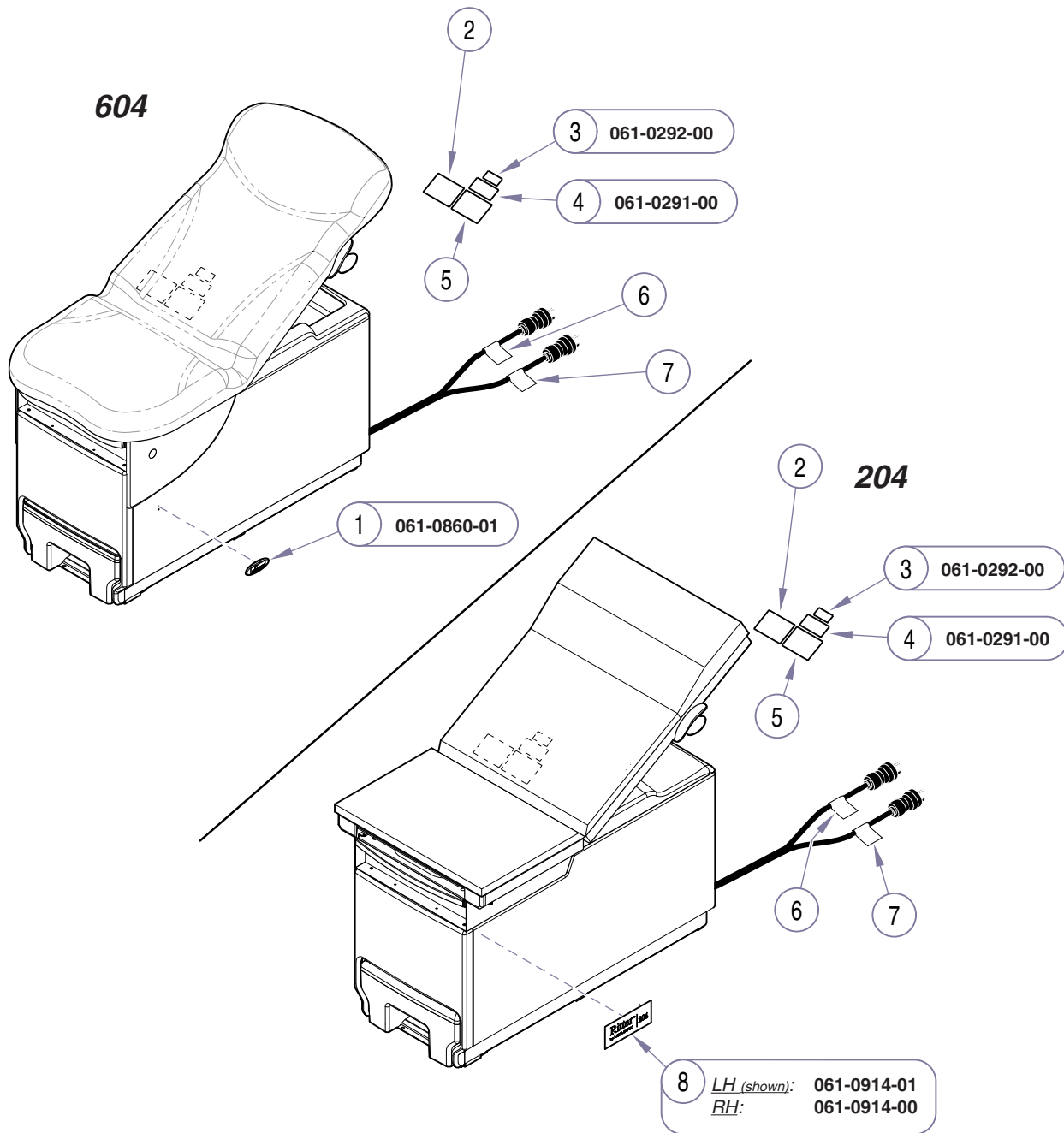
Item	Description	Qty.
1	Exam Assistant™ Drawer Assembly (includes items 2 thru 14)	1
2	• Fold-Down Drawer	1
3	• Pivot Rod	1
4	• Push Nut	2
5	• Drawer Mount	1
6	• Inner Drawer Slide (right)	1
7	• Outer Drawer Slide	2
8	• Screw (M4 x 12mm)	4
9	• Inner Drawer Slide (left)	1
10	• Fold-Down Drawer Front	1
11	• Insert Cover (clear)	1
12	• Edge Trim	2
13	• Weld Nuts	2
14	• Screw (#8-32 x 1/4)	2
15	Color Insert Refer to: Upholstery - Midmark	1

Always Specify Model & Serial Number

MA706100i

Models: 604 (all)
Serial Numbers: All

**Exam Assistant™
 Drawer Assembly**



Item	Description	Qty.
1	Midmark Nameplate	2
2	ETL Label	1
3	Patent Pending Label	1
4	Patent Numbers Label	1
5	Serial Number Label	1
6	Power Cord Label (standard)	1
7	Power Cord Label (dual)	1
8	Ritter 204 Label	1

Always Specify Model & Serial Number

MA706400i

Label Location

Models: All
Serial Numbers:

Midmark Corporation
60 Vista Drive
P.O. Box 286
Versailles, OH 45380-0286
937-526-3662
Fax 937-526-5542
www.midmark.com



Because we care.