

203 Treatment Table

Model Numbers:

203 -001 thru -004

Ritter®
by MIDMARK

Service and
Parts Manual



FOR USE BY MIDMARK TRAINED TECHNICIANS ONLY

Table Of Contents

General Information

GENERAL INFORMATION

Symbols	iii
Ordering Parts	iii
Serial Number Location	iii
Specifications	iv
Model Identification / Compliance Chart	iv
Scheduled Maintenance	v
Warranty Information	vi

Section A

OPERATION & TROUBLESHOOTING

(This section is not applicable)

Section B

SERVICE PROCEDURES

Drawers:	
Reversing Sides	B-2

Section C

ACCESS PROCEDURES

(This section is not applicable)

Section D

WIRING DIAGRAMS




(This section is not applicable)

Section E




EXPLODED VIEWS / PARTS LISTS

Pictorial Index	E-2
Upholstered Top:	
w/o Stirrups	E-3
w/ Stirrups	E-4
Table Frame:	
w/o Casters	E-5
w/ Casters	E-6
Stirrups	E-7
Drawer Components	E-8

Symbols

	Caution Indicates a potentially hazardous situation which could result in injury if not avoided.
	Equipment Alert Indicates a potentially hazardous situation which could result in equipment damage if not avoided.
	Note Amplifies a procedure, practice, or condition.
	In Section A, test the components in the order indicated. (ex. 1st ✓ then, 2nd ✓) Refer to Section B for component testing procedures.

These symbols are used throughout this manual to represent the operational status of table functions and components.

	Indicates the function / component is working properly. No action required.
	Indicates the function / component is working, but a problem exists.
	Indicates the function / component is not working at all.

Ordering Parts

The following information is required when ordering parts:

- Serial number & model number
- Part number for desired part.
[Refer to Exploded Views / Parts Lists section]

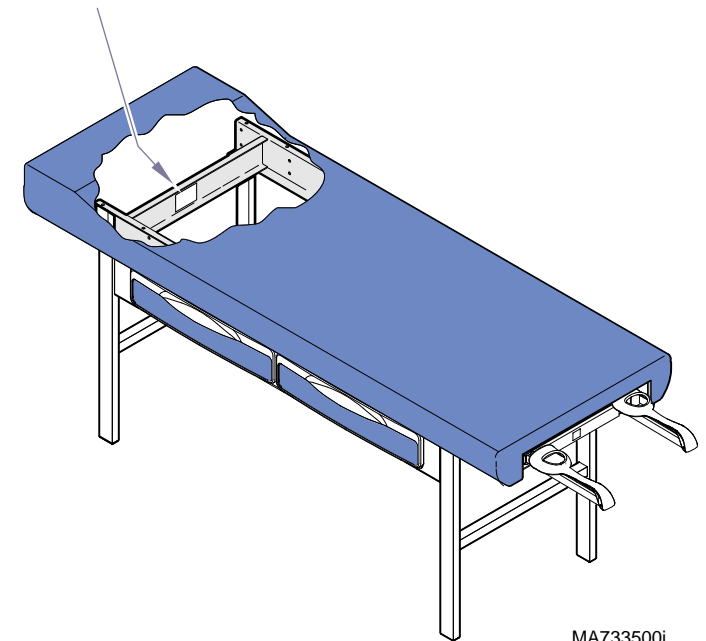
Non-warranty parts orders may be faxed to Midmark using the Fax Order Form in the back of this manual.

For warranty parts orders, call Midmark's Technical Service Department with the required information.

Hours: 8:00 am until 5:00 pm EST [Monday - Friday]
Phone: 1-(800)-Midmark

Serial Number Location

**Serial / Model
Number Location**

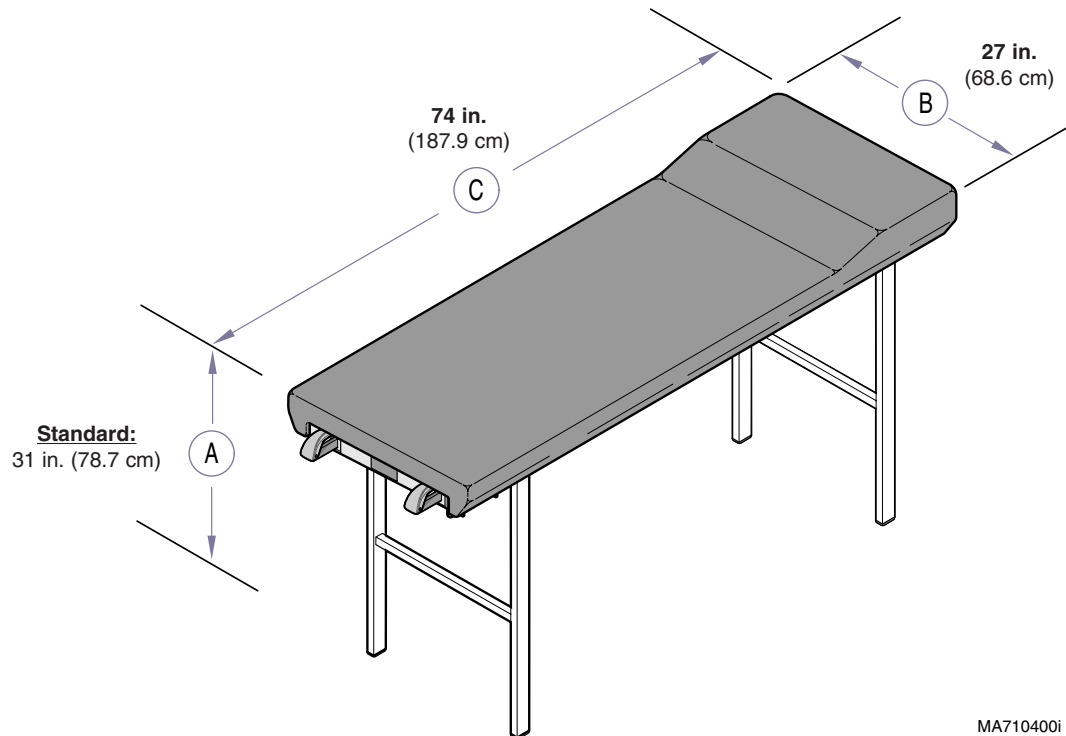


MA733500i

General Information

Specifications

- Patient Weight (maximum)** 400 lbs (181.4 kgs)
- Paper Roll (maximum size):** 21 in. long x 3.5 in. diameter
(53.3 x 8.9 cm)
- Weight of Table:** 135 lbs (61.2 kg)
- Dimensions** (refer to diagram for reference):
- Table Top Height (A):
Standard (w/o casters) 31 in. (78.7 cm)
(Note: Special heights are available)
- Upholstered Top:
Width (B) 27 in. (68.6 cm)
Length (C) 74 in. (187.9 cm)



MA7104001

Model Identification Chart

Fire Code Ratings

- All standard upholstery sets comply with:
California Bureau of Home Furnishing Technical Bulletin 117
- Optional upholstery sets are available that comply with:
California Bureau of Home Furnishing Technical Bulletin 133.

Model	Description
203-001	Ritter Treatment Table <i>Basic</i>
203-002	Ritter Treatment Table <i>w/ Drawers</i>
203-003	Ritter Treatment Table <i>w/ Stirrups</i>
203-004	Ritter Treatment Table <i>w/ Drawers & Stirrups</i>

Scheduled Maintenance

Scheduled Maintenance 203 Treatment Table			
Interval	Inspection or Service	Service, Adjust, Repair and / or Replace as Required <small>(Refer to appropriate S&P or Quick Reference Guide)</small>	203
Weekly	Cleaning	Clean upholstery with diluted bleach solution. Ratio - 10:1 (water:bleach)	X
		Wipe painted metal & plastic surfaces with a clean soft cloth and mild cleaner. <small>(NOTE: Periodic application of common furniture wax will ease cleaning, and maintain the luster of the surfaces).</small>	X
	Obvious Damage	Visually inspect components for damage that could cause problems during operation or unsafe operation.	X
Semi-Annually	Mechanical Operation	Check drawers & stirrups for proper operation.	X
	Labels / Decals	Replace any missing or illegible labels.	X
	Hardware	All fasteners must be present and fastened securely.	X
	Stirrups	Check that stirrups extend easily. Lock securely into each lateral position.	X
		Lubricate stirrup bars with household furniture wax.	X
Date of Service: ____/____/____ Location: Service Technician:			Model: Serial Number:

General Information

Warranty Information

SCOPE OF WARRANTY

Midmark Corporation ("Midmark") warrants to the original purchaser its new Alternate Care products and components (except for components not warranted under "Exclusions") manufactured by Midmark to be free from defects in material and workmanship under normal use and service. Midmark's obligation under this warranty is limited to the repair or replacement, at Midmark's option, of the parts or the products the defects of which are reported to Midmark within the applicable warranty period and which, upon examination by Midmark, prove to be defective.

APPLICABLE WARRANTY PERIOD

The applicable warranty period, measured from the date of delivery to the original user, shall be one (1) year for all warranted products and components.

EXCLUSIONS

This warranty does not cover and Midmark shall not be liable for the following: (1) repairs and replacements because of misuse, abuse, negligence, alteration, accident, freight damage, or tampering; (2) products which are not installed, used, and properly cleaned as required in the Midmark "Installation" and or "Installation / Operation Manual for this applicable product. (3) products considered to be of a consumable nature; (4) accessories or parts not manufactured by Midmark; (5) charges by anyone for adjustments, repairs, replacement parts, installation, or other work performed upon or in connection with such products which is not expressly authorized in writing in advance by Midmark.

EXCLUSIVE REMEDY

Midmark's only obligation under this warranty is the repair or replacement of defective parts. Midmark shall not be liable for any direct, special, indirect, incidental, exemplary, or consequential damages or delay, including, but not limited to, damages for loss of profits or loss of use.

NO AUTHORIZATION

No person or firm is authorized to create for Midmark any other obligation or liability in connection with the products.

THIS WARRANTY IS MIDMARK'S ONLY WARRANTY AND IS IN LIEU OF ALL OTHER WARRANTIES, EXPRESS OR IMPLIED. MIDMARK MAKES NO IMPLIED WARRANTIES OF ANY KIND INCLUDING ANY WARRANTIES OF MERCHANTABILITY OR FITNESS FOR ANY PARTICULAR PURPOSE. THIS WARRANTY IS LIMITED TO THE REPAIR OR REPLACEMENT OF DEFECTIVE PARTS.

Additional Information

Failure to follow the guidelines listed below will void the warranty and/or render the table unsafe for use.

- If a malfunction is detected, do not use the table until necessary repairs are made.
- Do not attempt to disassemble table, replace components, or perform adjustments unless you are a Midmark authorized service technician.
- Do not use another manufacturer's parts to replace malfunctioning components. Use only Midmark replacement parts

SF-1487 REV. A1

Section B

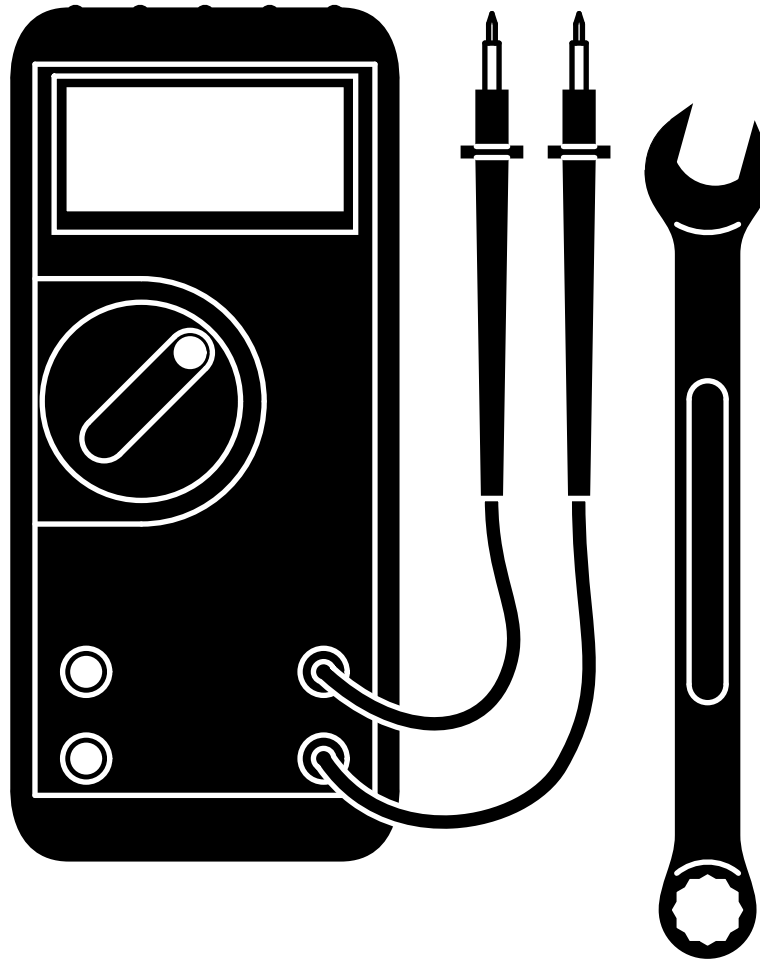
Service Procedures

Components

Page

Drawers:

Reversing Sides B-2



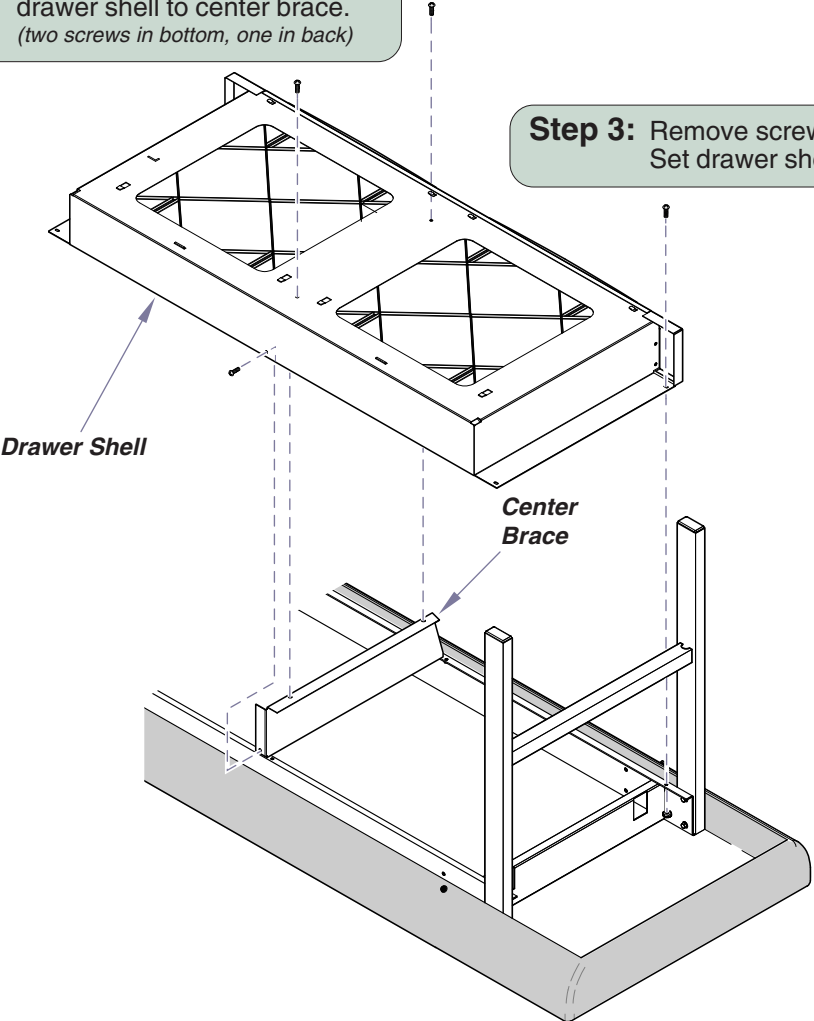
Service Procedures

Drawers

Reversing Sides

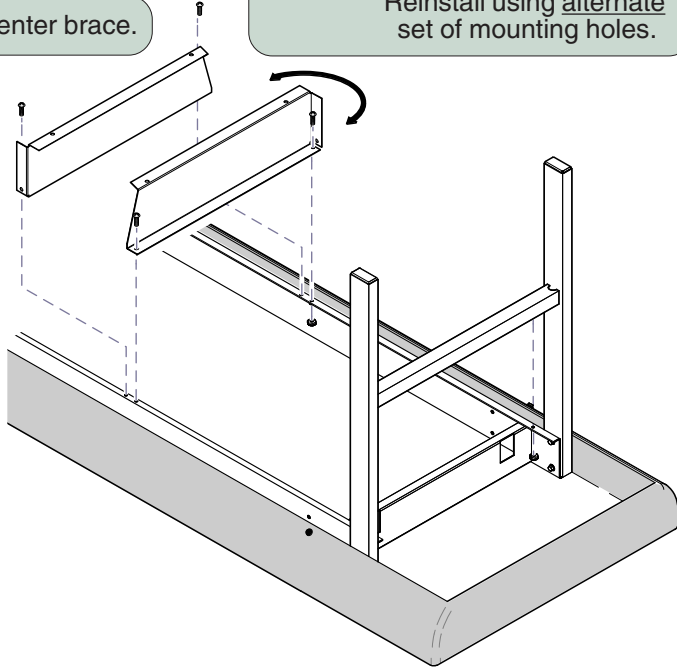
Step 1: Carefully lay table upside down.

Step 2: Remove three screws securing drawer shell to center brace.
(two screws in bottom, one in back)



Step 4: Remove center brace.

Step 5: Rotate brace 180°. Reinstall using alternate set of mounting holes.



MA733700i

Drawers - continued

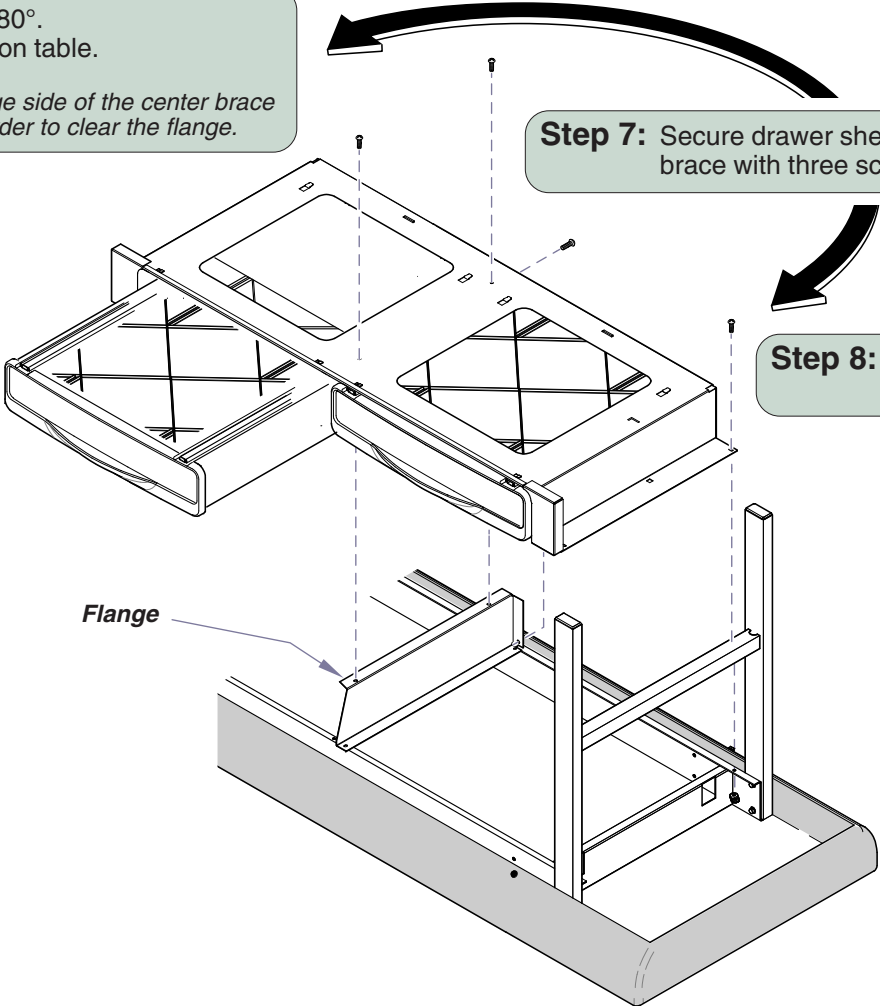
Reversing Sides - continued

Step 6: Rotate drawer shell 180°. Position drawer shell on table.

Note: The drawer on the flange side of the center brace must be pulled out in order to clear the flange.

Step 7: Secure drawer shell to center brace with three screws.

Step 8: Secure drawer shell to table with four screws / nuts.



MA733800i

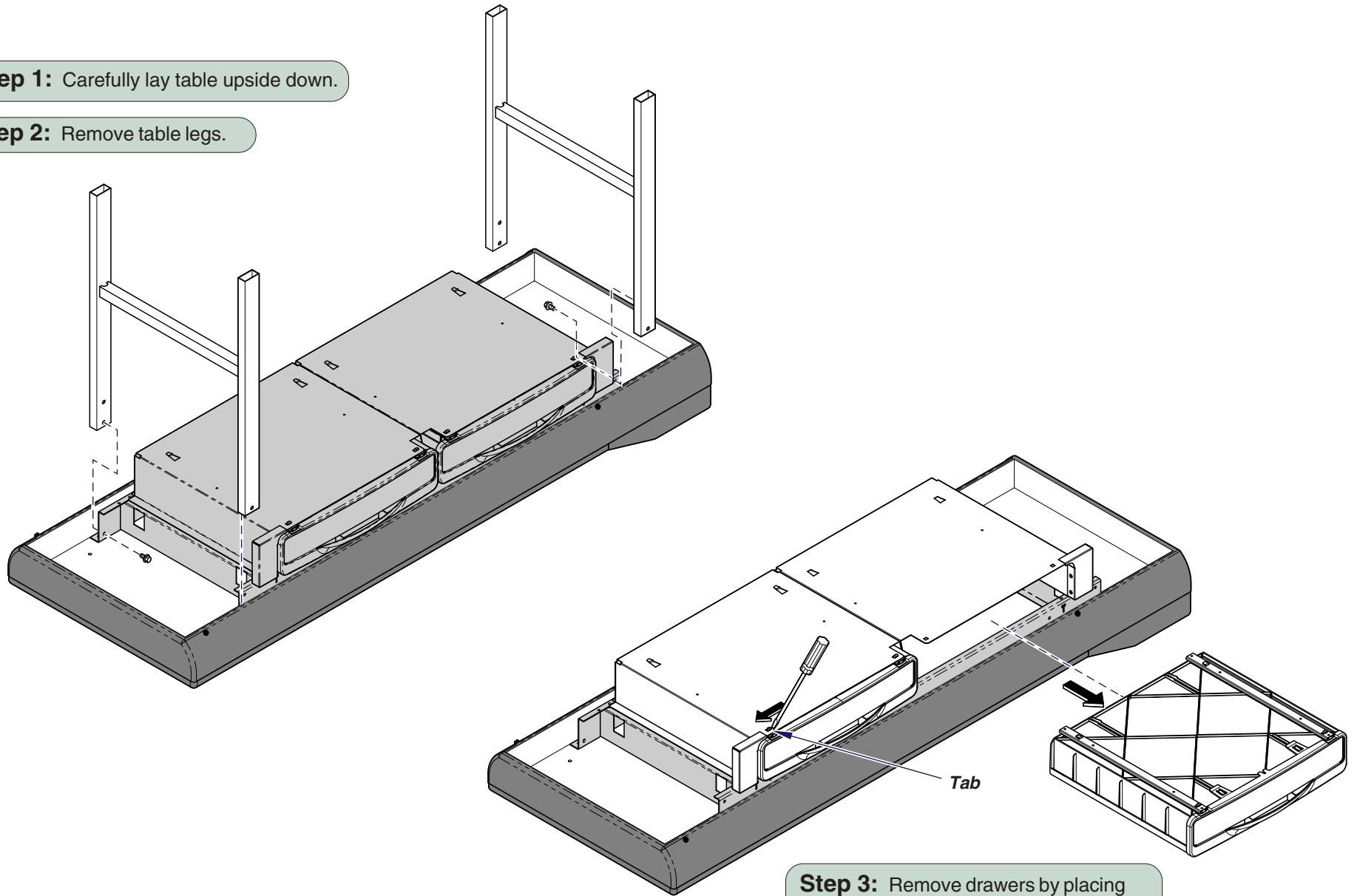
Models: 203 (-002 & -004)
Serial Numbers: V2200 thru V1113734

Drawers

Service Procedures

Step 1: Carefully lay table upside down.

Step 2: Remove table legs.

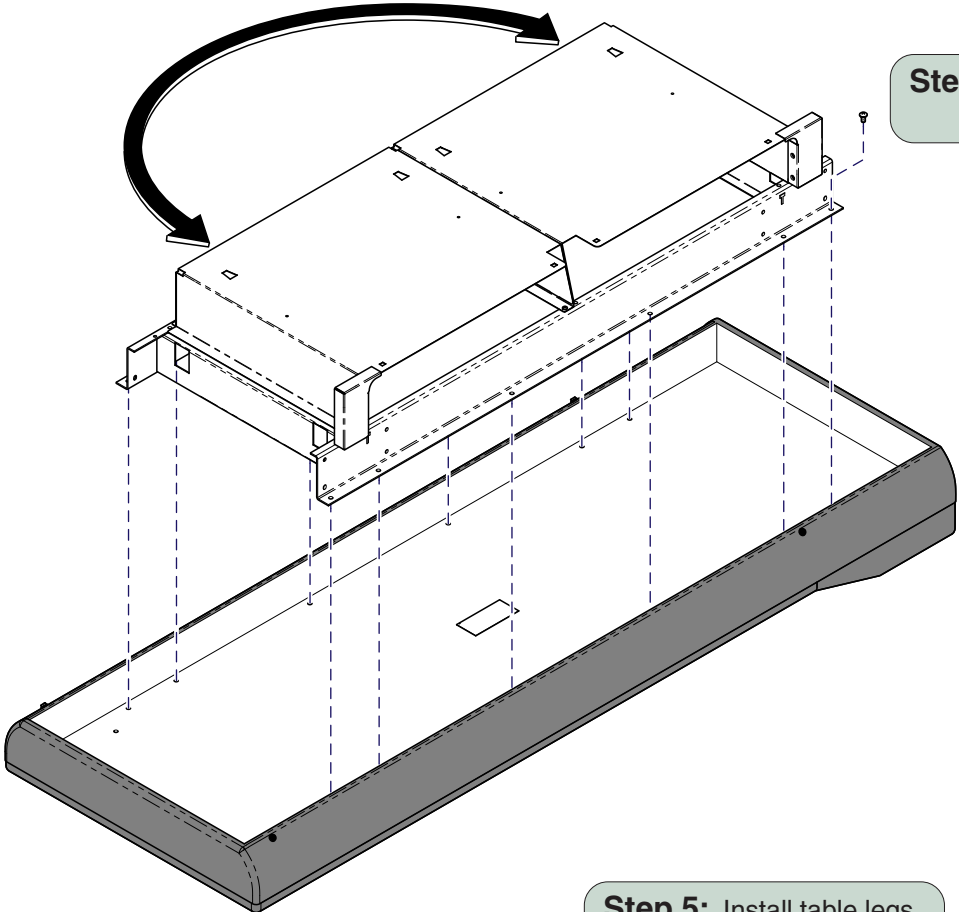


Step 3: Remove drawers by placing screwdriver on tab to release and pull drawers out.

MA8314i

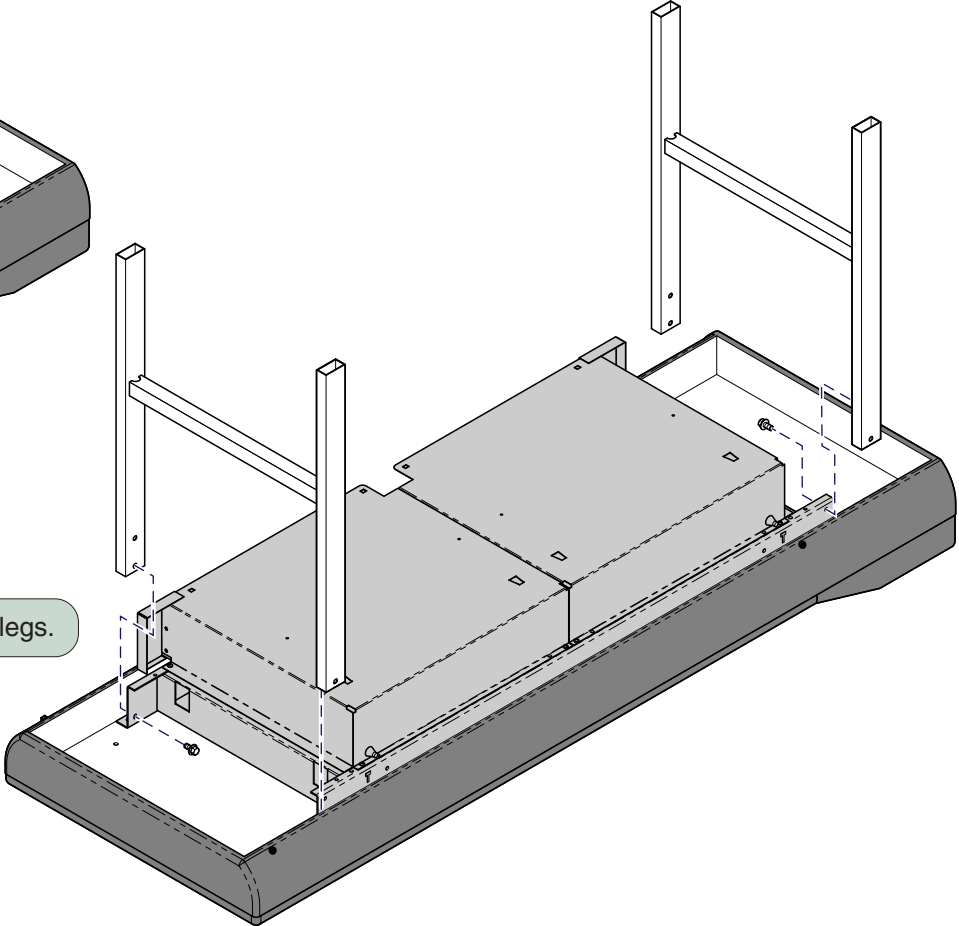
Drawers

Models: 203 (-002 & -004)
Serial Numbers: V1113735 thru Present



Step 4: Remove screws from table top to remove frame. Rotate frame and reattach with screws.

Step 5: Install table legs.



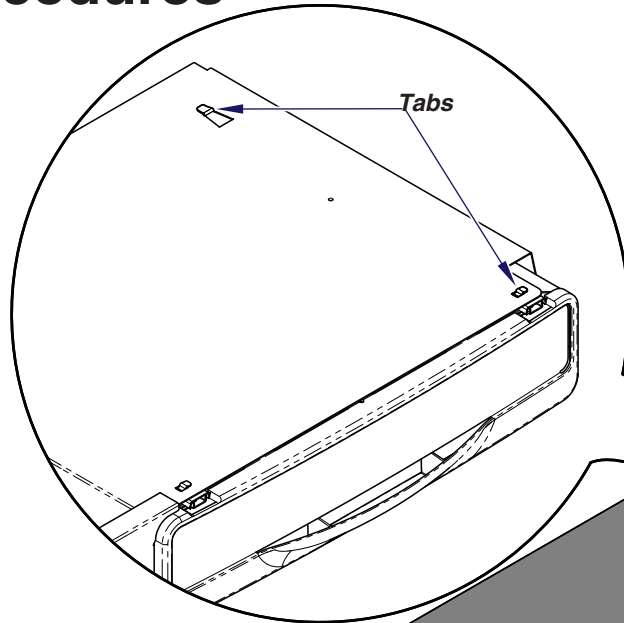
MA8315i

Models: 203 (-002 & -004)
Serial Numbers: V1113735 thru Present

Drawers

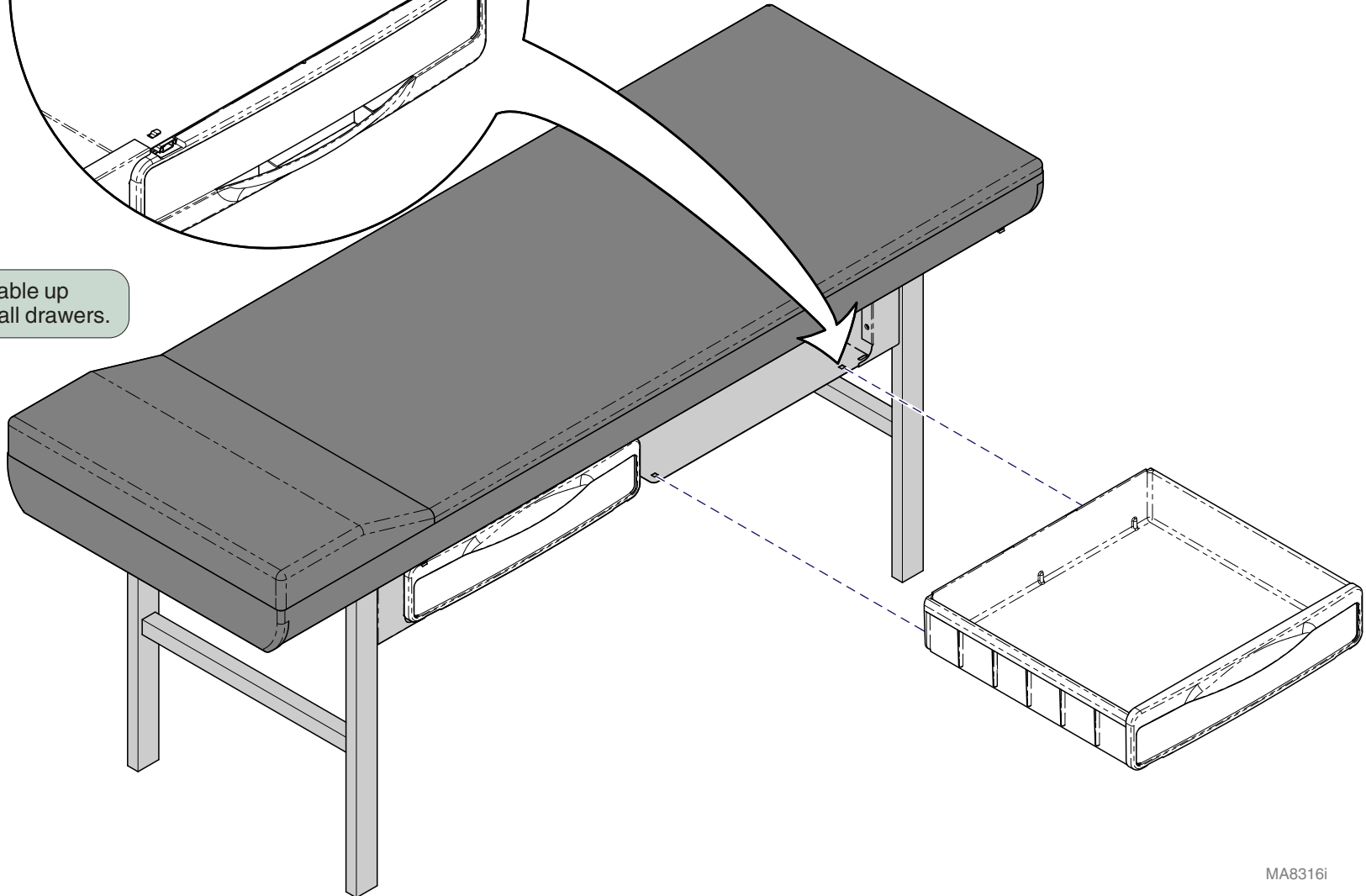
© Midmark Corporation 2006 SF-1884

Service Procedures



Step 7: Install drawer into drawer shell making sure tabs lock into place.

Step 6: Carefully set table up on legs to install drawers.



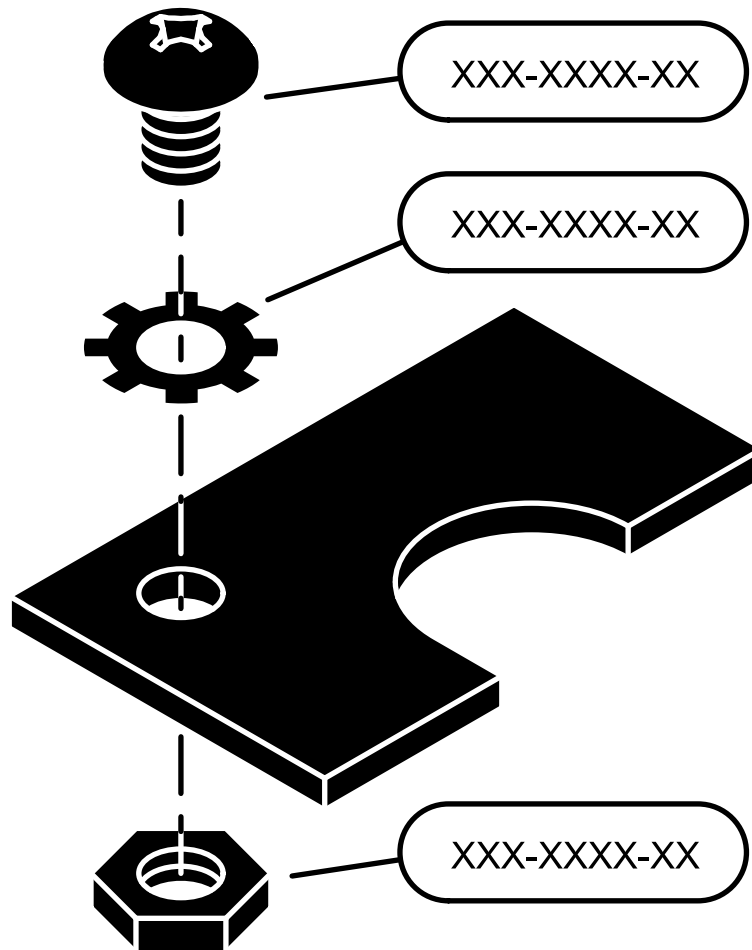
MA8316i

Drawers

Models: 203 (-002 & -004)
Serial Numbers: V1113735 thru Present

Section E

Exploded Views & Parts Lists



Description	Page
Pictorial Index	E-2
Upholstered Top:	
<i>w/o Stirrups</i>	E-3
<i>w/Stirrups</i>	E-4
Table Frame:	
<i>w/o Casters</i>	E-5
<i>w/Casters</i>	E-6
Stirrups	E-7
Drawer Components	E-8

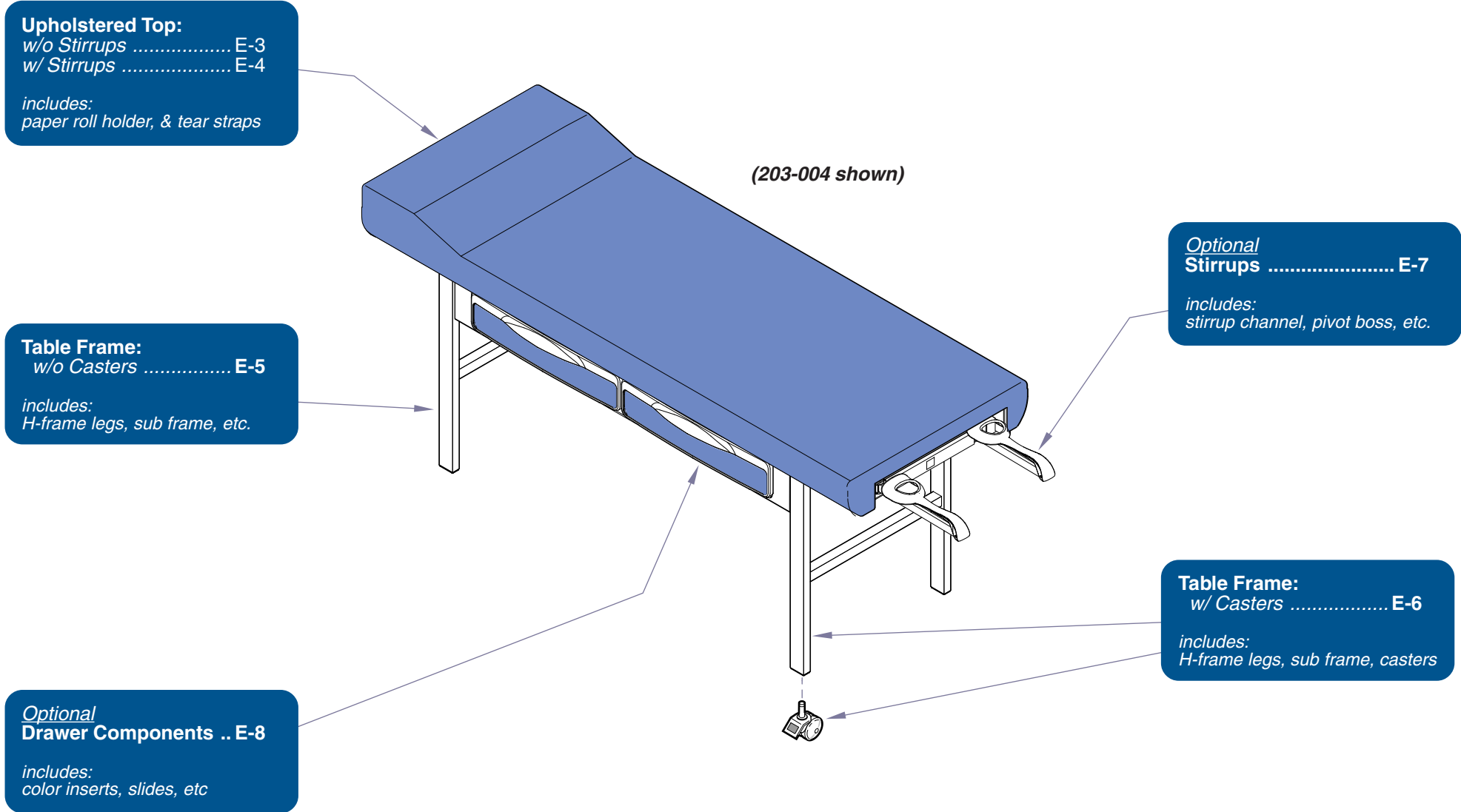
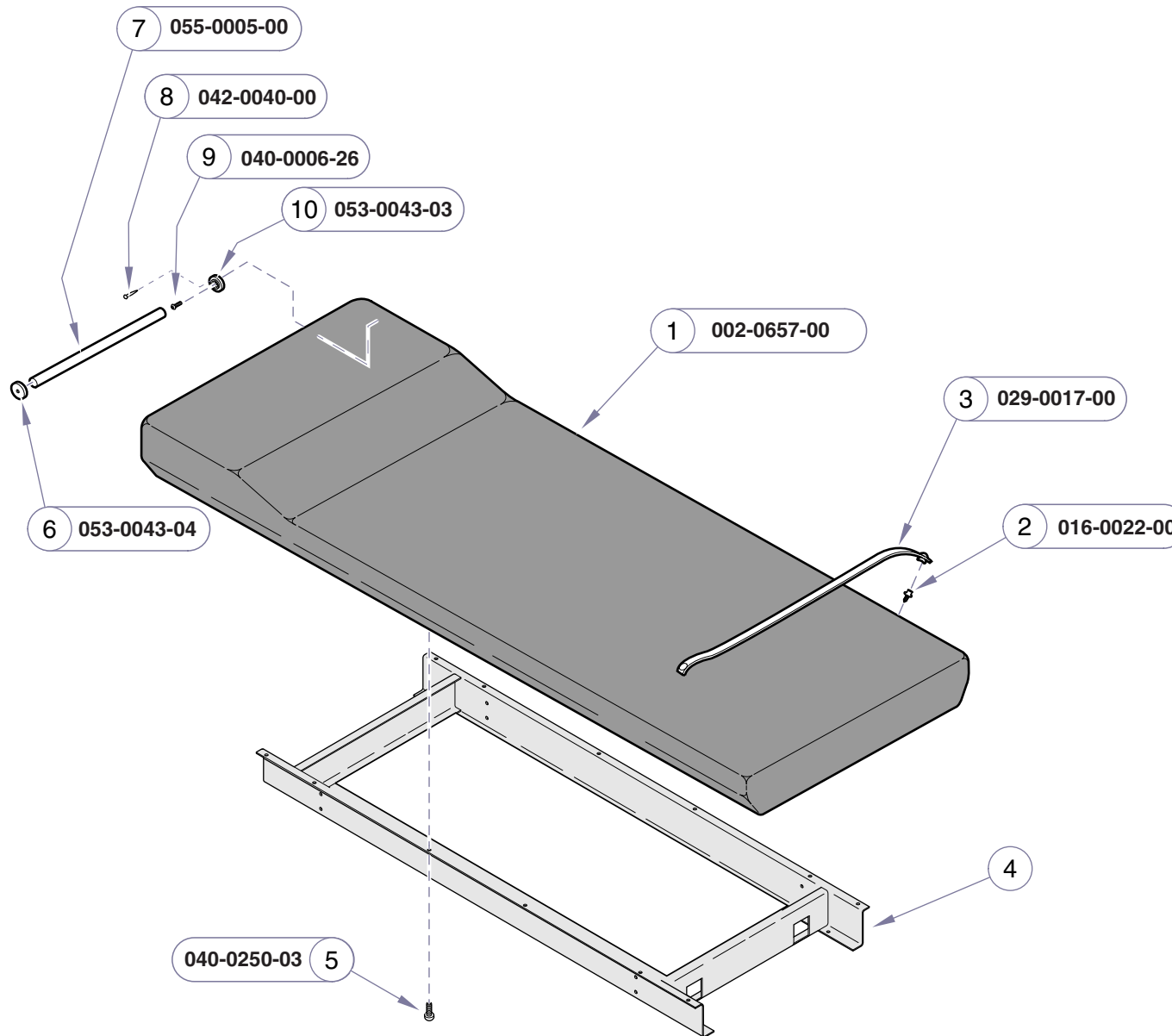


Table Frame:	
w/o Casters	E-5
w/ Casters	E-6
Color Selector	www.midmark.com



ATTENTION: Click on *Current Color Options* link above to see the available colors.

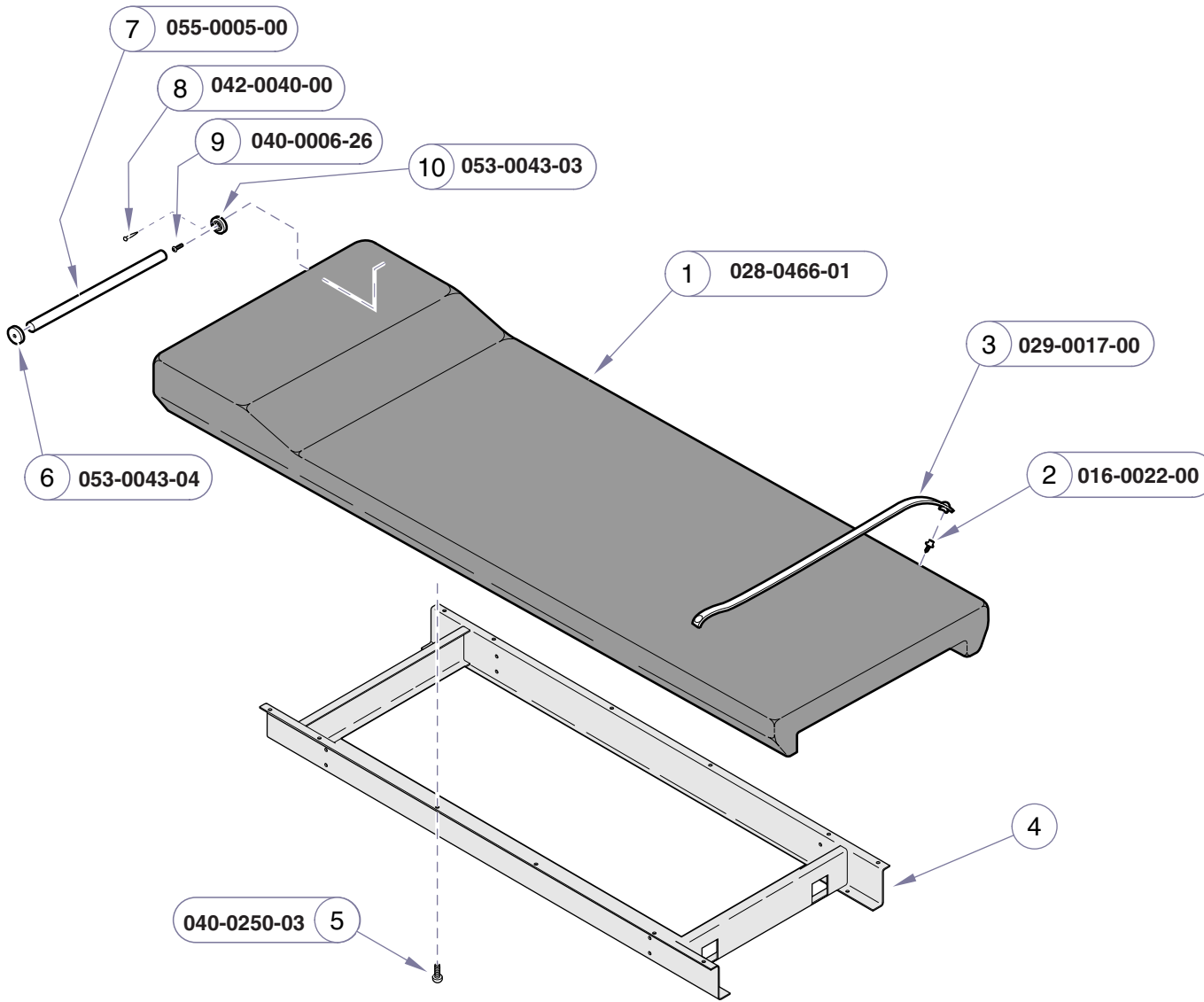
Item	Description	Qty.
1	Upholstered Top w/o stirrups - <i>specify color</i> (includes item 2)	1
2	• Snap Stud	4
3	Tear Strap	2
4	Refer to: "Table Frame"	Ref
5	Screw (1/4-20 x 7/8")	12
6	Pole Socket - right	1
7	Dowel Rod	1
8	Staple	1
9	Screw (#6 x 1/2" sheet metal)	2
10	Pole Socket - left	1

Always Specify Model & Serial Number

MA7330001

Models: 203 (-001 & -002)
Serial Numbers: All

**Upholstered Top
- w/o Stirrups**



Refer To:	Page
Frame Assembly:	
w/o Casters	E-5
w/Casters	E-6
Color Selector	www.midmark.com

ATTENTION: Click on *Current Color Options* link above to see the available colors.

Item	Description	Qty.
1	Upholstered Top w/ stirrups - <i>specify color</i> (includes item 2)	1
2	• Snap Stud	4
3	Tear Strap	2
4	Refer to: "Frame Assembly"	Ref
5	Screw (1/4-20 x 7/8")	12
6	Pole Socket - <i>right</i>	1
7	Dowel Rod	1
8	Staple	1
9	Screw (#6 x 1/2" sheet metal)	2
10	Pole Socket - <i>left</i>	1

Always Specify Model & Serial Number

MA7331001

Upholstered Top
- w/ Stirrups

Models: 203 (-003 & -004)
Serial Numbers: All

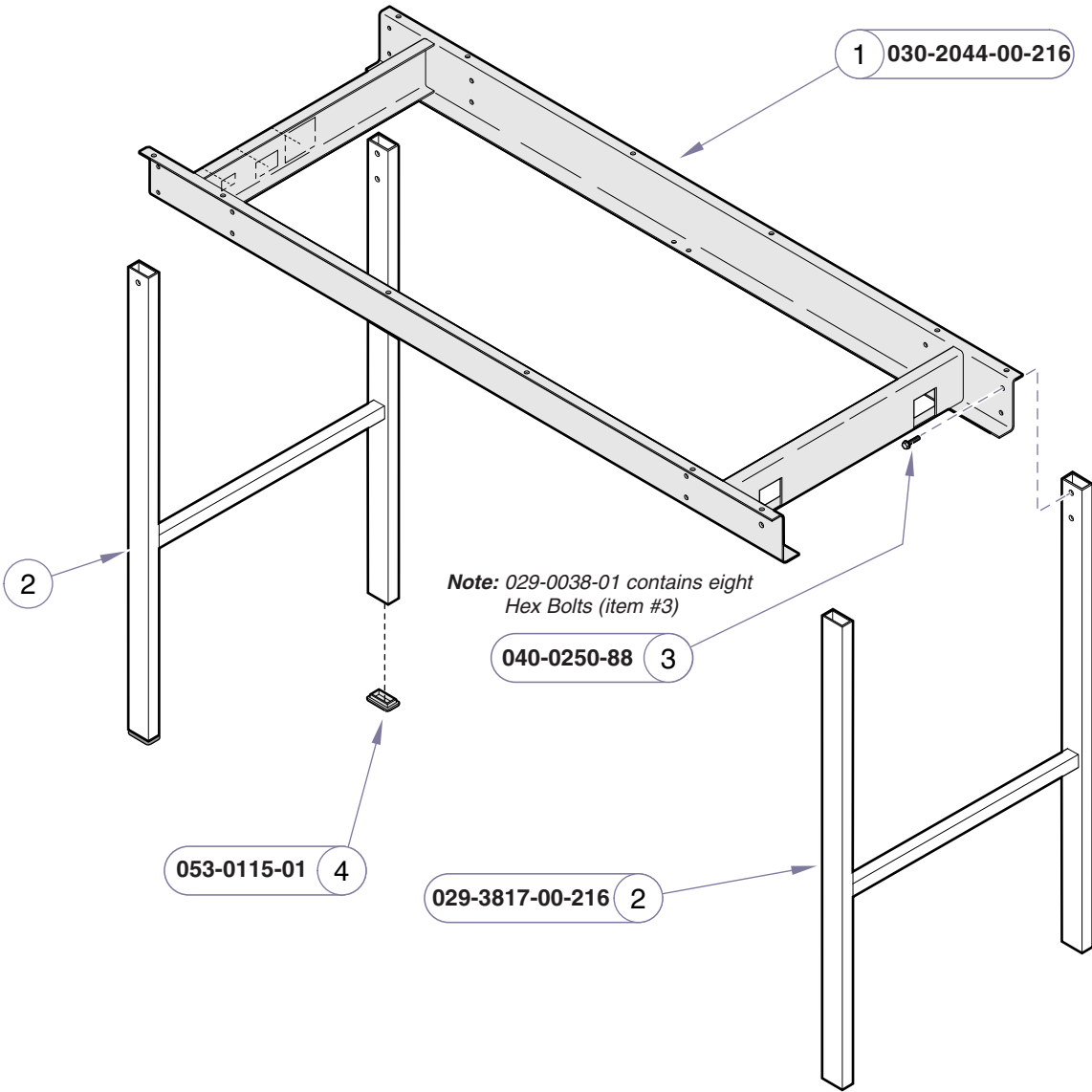
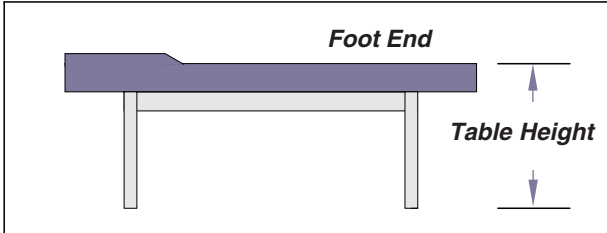


Table Height	H-Frame Part Number (item #2)
30.5 in. (standard)	029-3817-00-216
26 in.	029-3817-26-216
27 in.	029-3817-27-216
28 in.	029-3817-28-216
29 in.	029-3817-29-216
32 in.	029-3817-32-216
33 in.	029-3817-33-216
34 in.	029-3817-34-216
35 in.	029-3817-35-216
36 in.	029-3817-36-216

Item	Description	Qty.
1	Sub-Frame Assembly	1
ATTENTION! <i>H-Frame assemblies are available in a variety of heights. Refer to the chart above to verify the correct part number for the desired height.</i>		
2	H-Frame Assembly- standard height (standard height is 30.5 in.)	2
3	Hex Bolt (1/4"-20 x 1/2", whiz-lock)	8
4	Leg Plug	4
Always Specify Model & Serial Number		

MA733200i

Models: 203 (all)
Serial Numbers: All

**Table Frame
w/o Casters**

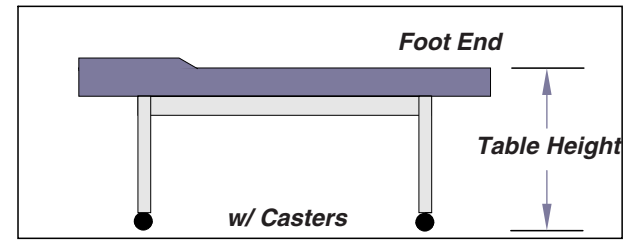
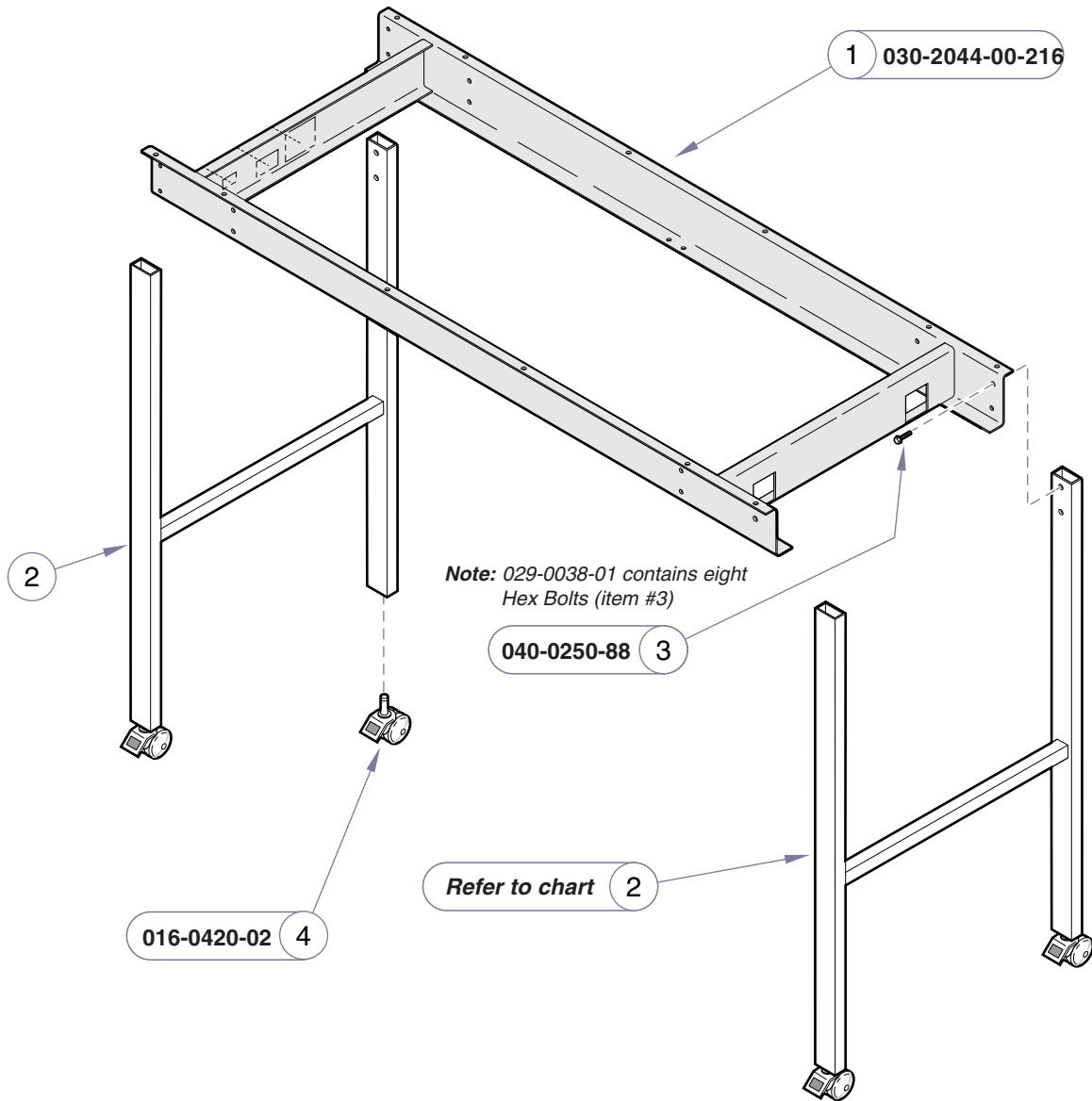
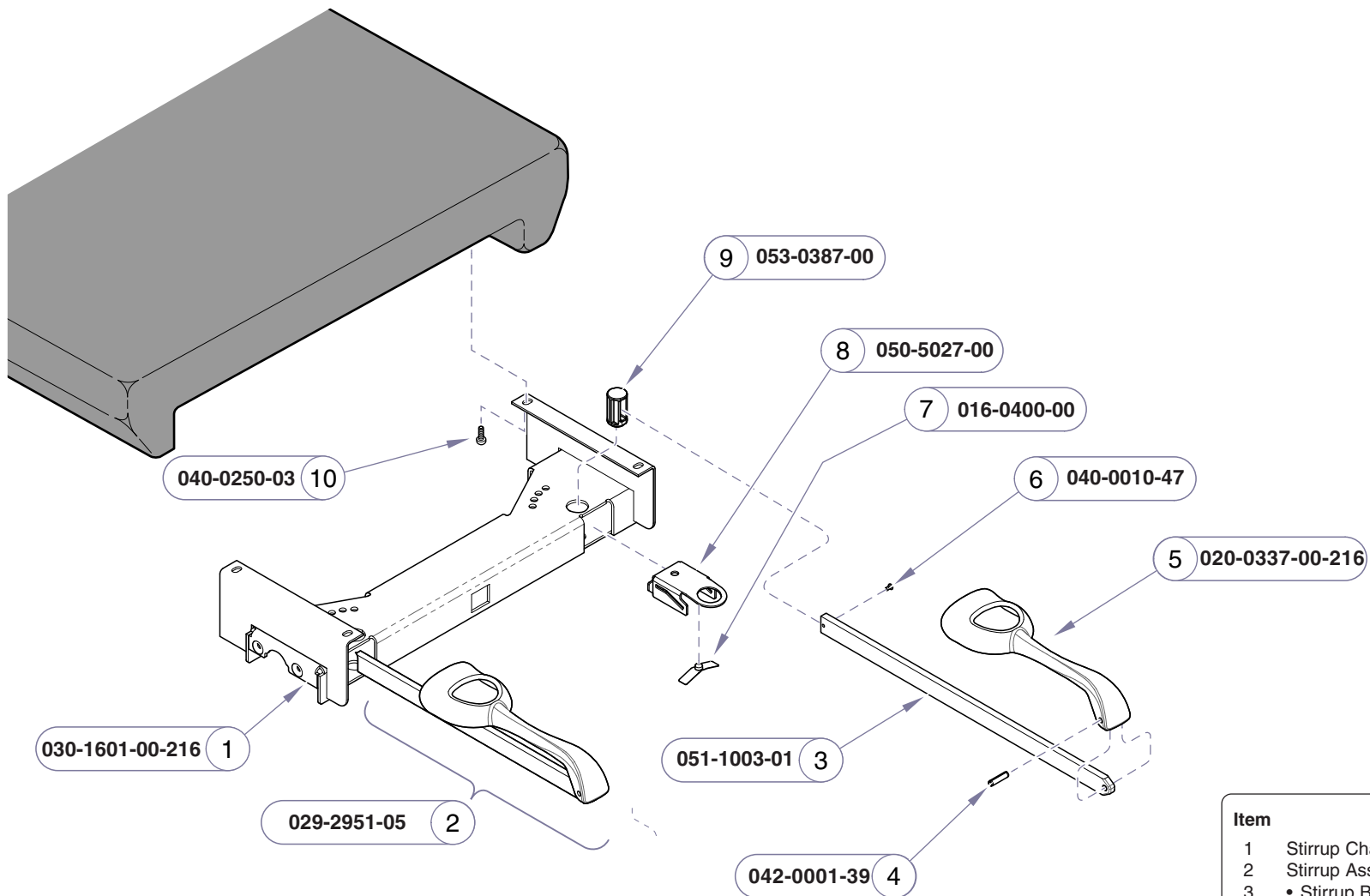


Table Height (w/ Casters)	H-Frame Part Number (item #2)
28.5 in.	029-3818-28-216
29.5 in.	029-3818-29-216
30.5 in.	029-3818-30-216
31.5 in.	029-3818-31-216
33 in.	029-3818-00-216
34.5 in.	029-3818-34-216
35.5 in.	029-3818-35-216
36.5 in.	029-3818-36-216
37.5 in.	029-3818-37-216
38.5 in.	029-3818-38-216

Item	Description	Qty.
1	Sub-Frame Assembly	1
ATTENTION! <i>H-Frame assemblies are available in a variety of heights. Refer to the chart above to verify the correct part number for the desired height.</i>		
2	H-Frame Assembly	
3	Hex Bolt (1/4"-20 x 1/2", whiz-lock)	8
4	Locking Caster	4
Always Specify Model & Serial Number		



Item	Description	Qty.
1	Stirrup Channel Weldment	1
2	Stirrup Assembly (incl. items 3 thru 5)	2
3	• Stirrup Bar	2
4	• Roll Pin	2
5	• Stirrup	2
6	Screw (24 - 3/8")	2
7	Spring	2
8	Guide Bracket	2
9	Pivot Boss	2
10	Screw (1/4-20, round head)	4

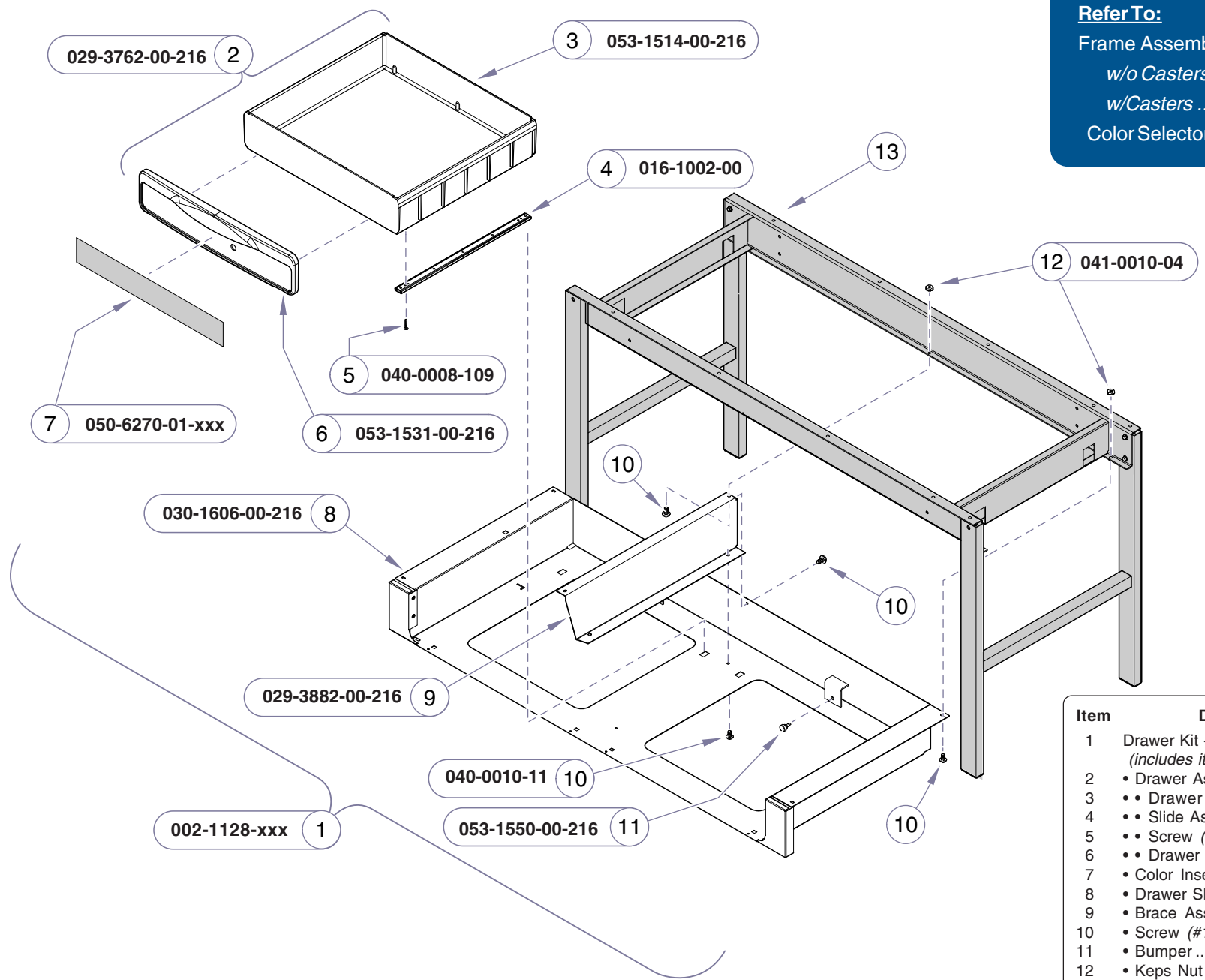
Always Specify Model & Serial Number

MA733300i

Models: 203 (-003 & -004)
Serial Numbers: All

Stirrups

Refer To: **Page**
 Frame Assembly:
 w/o Casters E-5
 w/Casters E-6
 Color Selector www.midmark.com



Item	Description	Qty.
1	Drawer Kit - Field Install (includes items 2 thru 12).....	1
2	• Drawer Assembly (incl. items 3 thru 6) ...	2
3	• • Drawer	1
4	• • Slide Assembly	2
5	• • Screw (#8-15 x 3/4")	4
6	• • Drawer Front	1
7	• Color Insert	2
8	• Drawer Shell.....	1
9	• Brace Assembly (includes nutserts)	1
10	• Screw (#10-24 x 3/8")	9
11	• Bumper.....	2
12	• Keps Nut (#10-24, w/ lock washer)	6
13	Refer to: "Table Frame"	Ref

Always Specify Model & Serial Number

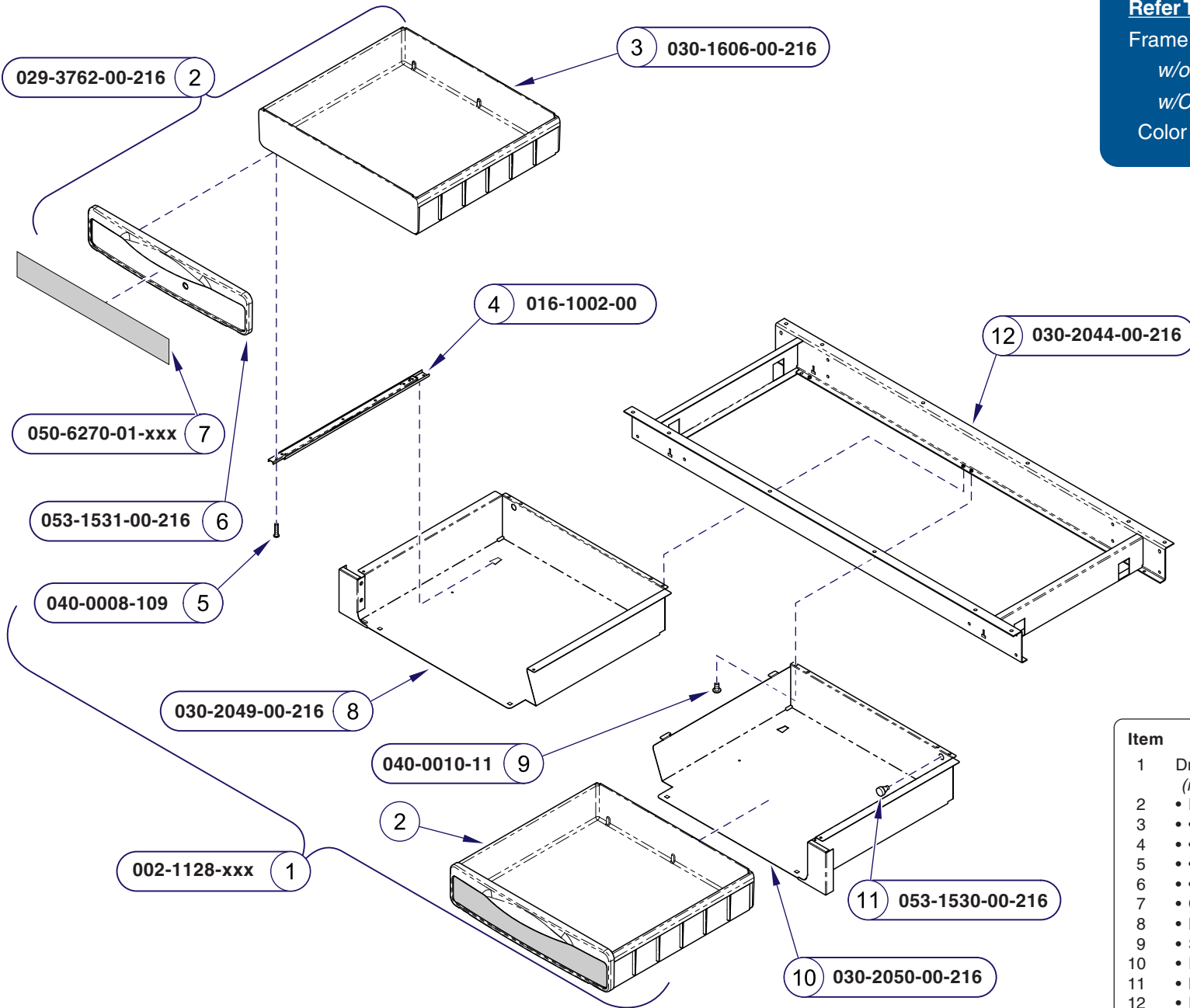
MA7334001

Drawer Components

Models: 203 (-002 & -004)
Serial Numbers: V2200 thru V1113734

Frame Assembly:

w/o Casters E-5
w/Casters E-6
Color Selector www.midmark.com



Item	Description	Qty.
1	Drawer Kit - Field Install (includes items 2 thru 12).....	1
2	• Drawer Assembly (incl. items 3 thru 6) ...	2
3	• Drawer	1
4	• Slide Assembly	2
5	• Screw (#8-15 x 3/4")	4
6	• Drawer Front	1
7	• Color Insert	2
8	• LH Drawer Shell	1
9	• Screw (#10-24 x 3/8")	7
10	• RH Drawer Shell	1
11	• Bumper	2
12	• Frame Weldment	1
13	Refer to: "Table Frame"	Ref

Always Specify Model & Serial Number

MA733401i

Models: 203 (-002 & -004)
Serial Numbers: V1113735 thru Present

Drawer Components

Midmark Corporation
60 Vista Drive
P.O. Box 286
Versailles, OH 45380-0286
937-526-3662
Fax 937-526-5542
www.midmark.com



Because we care.