

108⁻⁰⁰¹

Ritter®
by MIDMARK

Medical
Examination
Table

Serial Number Prefix:
BT

Service and Parts Manual

**NO LONGER IN
PRODUCTION**
Some service parts may not
be available for this product!

108⁻⁰⁰¹

FOR USE BY MIDMARK
TRAINED TECHNICIANS ONLY

TABLE OF CONTENTS

Section 1	Page
Important Instructions	3
Section 2	
Parts List	4-18
Base, Cabinet & Door Assembly	4-5
Upper Wrap Assembly	6-7
Seat & Headboard Upholstery Assembly	8
Foot Rest Assembly	9
Step Assembly	10
Drawer Assembly	11
Stirrup Assembly	12
Wiring Diagram	13
Wiring Diagram with Optional Heater	14

IMPORTANT INSTRUCTIONS

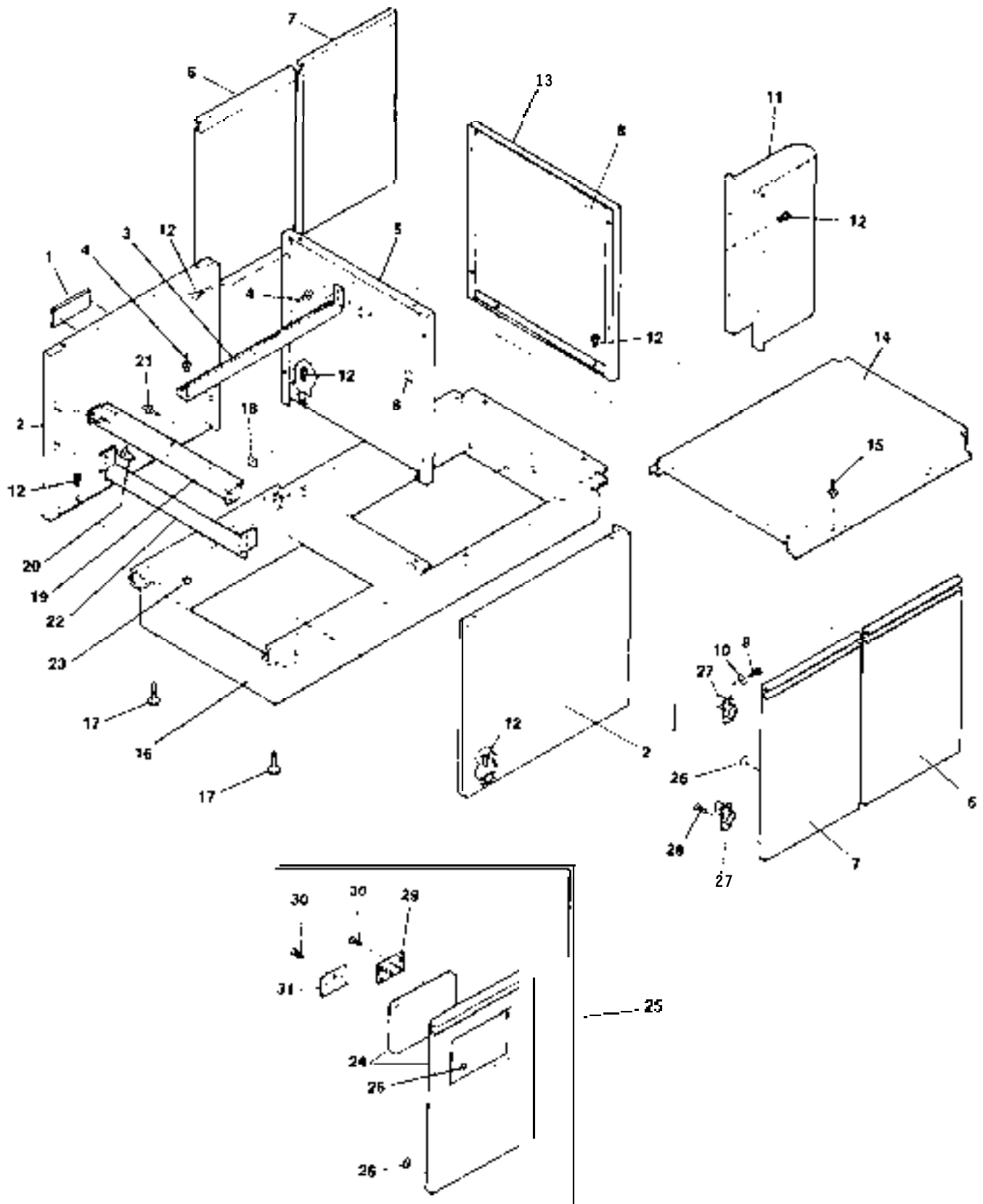
SAFETY FIRST: The primary concern of Midmark Corporation is that this equipment be operated and maintained with the safety of the Patient and Doctor in mind.

SERIAL NUMBER LOCATION: The model **108 Serial Number** is located on the top cover of the table. Raise the back section up to easily read the numbers.

When calling Midmark Corporation for technical assistance or of placement of parts orders, refer to the serial number.

MIDMARK CORPORATION
1-800-MIDMARK
1-800-472-1621 (IN OHIO)

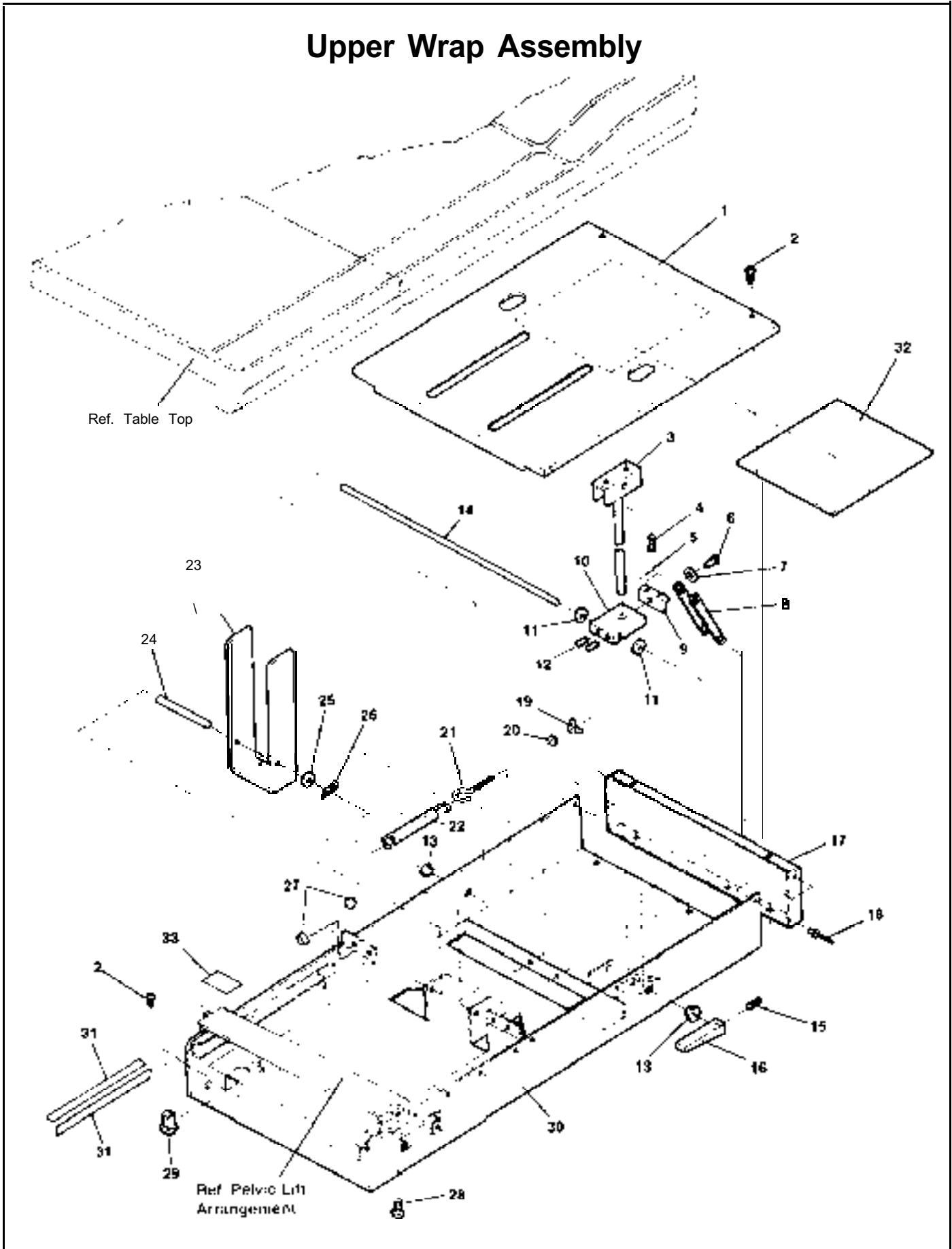
Base, Cabinet & Door Assembly



Base, Cabinet & Door Assembly

ITEM	PART NO.	DESCRIPTION	QTY.
1	061-0237-06	Nameplate108	1
2	050-I 645-20	Front Support	2
3	016-0136-00	Slide-Front	2
4	042-001 O-03	Pop Rivet 5.32" Dia. x 1.0" Lg.	6
5	050-I 457-20	Center Support	1
6	029-I 187-08	Assembly DoorR.H.	2
7	029-I 187-09	Assembly DoorL.H.	2
8	042-0045-01	Nutsert #10-24 (For Hinge)	8
9	040-001 o-1 2	Screw #10-24 x 5.8 Pan Hd. Phil	8
10	045-0001-08	Washer#10Int.Tooth Lock	8
11	050-I 459-20	Cover Rod	1
12	040-001 0-00	Screw, Self Tap 10-24 x 3.6" Lg.	18
13	050-I 458-20	End Panel	1
14	050-I 456-20	Self Bottom	1
15	042-001 O-02	Pop Rivet 5.32" Dia. x 1.4" Grip	4
16	030-0192-30	Base Weldment	1
17	016-0001-00	Leveling Screw	4
18	053-0014-00	Self Sticking Bumper	2
19	050-I 646-20	Mullion	1
20	053-0004-00	Glide	4
21	042-001 O-01	Pop Rivet 1.8" Dia x 1.4"	8
22	050-0824-20	Mullion	1
23	053-0001-00	Nylon Stem Bumper	2
24	062-I 800-06	Door With Insert-R.H.	AR
24	062-I 800-07	Door With Insert-L.H.	AR
25	029-I 187-00	Door Assembly Complete With Insert-Specify L.H. or R.H. Door (Includes Item No's 24, 26, 27, 28, 29, 30 & 31) R.H. Door Shown	1
26	053-0013-00	Self-Sticking Bumper (2 per door)	2
27	016-0328-00	Hinge(2 per door)	2
28	040-0006-40	Screw, #6 x 5.8" Flat Head Phillips	4
29	016-0013-20	Hinge(Insert)	1
30	040-0006-26	Screw #6 x 1.2 Pan Hd. Phillips	9
31	050-I 642-20	Lid Stop	1

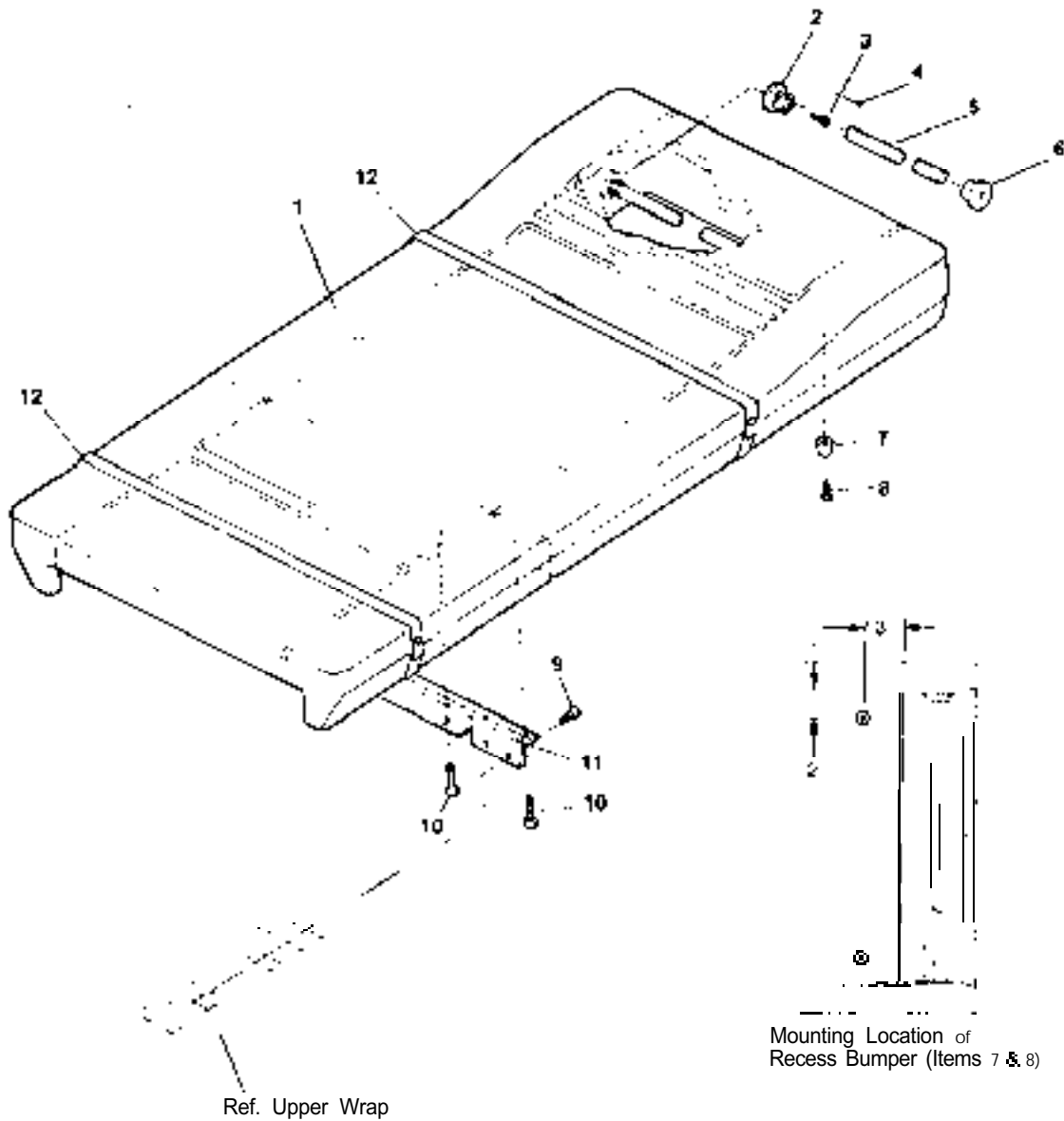
Upper Wrap Assembly



Upper Wrap Assembly

ITEM	PART NO.	DESCRIPTION	QTY.
1	029-1110-00	Top Cover Assembly (Includes Item 32)	1
1	050-0829-20	Top Cover (Sound Damp-Not Included)	1
2	040-0010-00	Screw, Self Tap 10-24 x 3.6" Lg.	4
3	029-0011-00	Back Support Rod Assembly	1
4	040-0010-44	Screw, Machine 10-24x1	4
5	042-0003-00	Cotter Pin	1
6	040-0010-03	Screw, Sht. Mtl. 10-32 x 3.0" Lg.	1
7	045-0001-04	Lockwasher#10	1
8	025-0008-00	Back Lock Spring	2
9	050-0101-00	Back Lock Spring Retainer	1
10	051-0002-00	Back Lock	1
11	045-0001-01	3.6" Flat Washer	2
12	040-0250-00	Set Screw 1/4" - 20 x 3.0" Lg.	2
13	053-0068-01	Snap Bushing	2
14	057-0003-00	Back Lock Rod	1
15	040-0250-05	Set Screw 1/4" - 20 x 1.4" Lg.	2
16	021-0001-01	Back Lock Lever	2
17	050-0180-20	End Cap	1
18	042-0010-03	Pop Rivet 5/32" Dia. x 1.0" Lg.	2
19	041-0250-05	Wing Nut	2
20	045-0001-02	Washer Flat	2
21	016-0008-00	Eye Bolt	2
22	025-0003-00	Lift Spring	2
23	051-0132-20	Lift Lever	1
24	057-0004-00	Lift Support Rod	1
25	045-0001-01	Washer Flat 3.0"	4
26	042-0004-00	Hitch Pin	2
27	053-0014-00	Self-Sticking Bumper	2
28	040-0010-01	Screw, Mach. 10-24 x 7.6" Lg.	2
29	053-0082-00	Pivot Boss	2
30	030-0663-20	Upper Wrap	1
31	053-0018-00	Nylon Tape 1.2" (61")	1
32	054-0067-00	Sound Damp	1
33	061-0004-00	Strut Tag	1

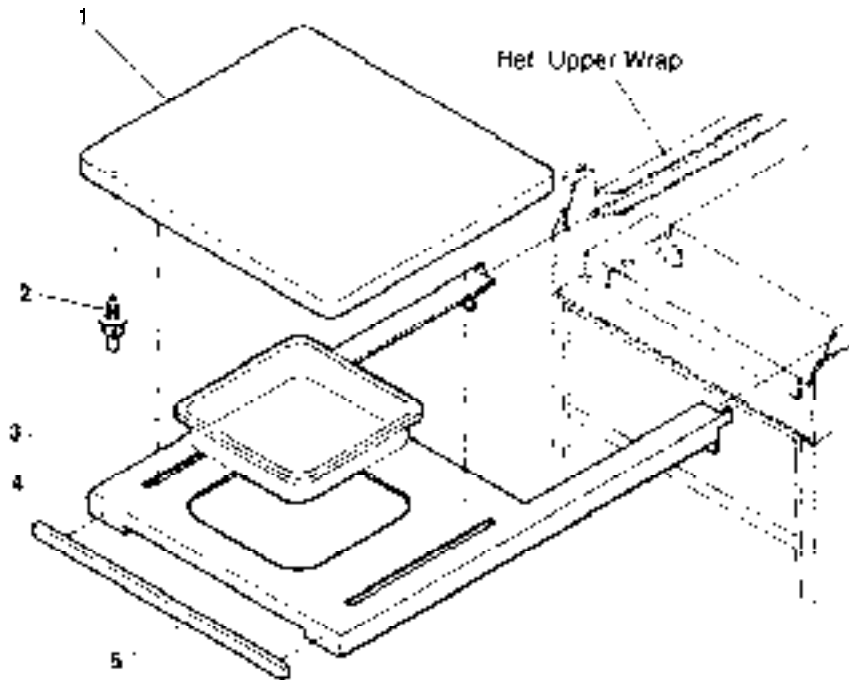
Seat & Headboard Upholstery Assembly



Mounting Location of
Recess Bumper (Items 7 & 8)

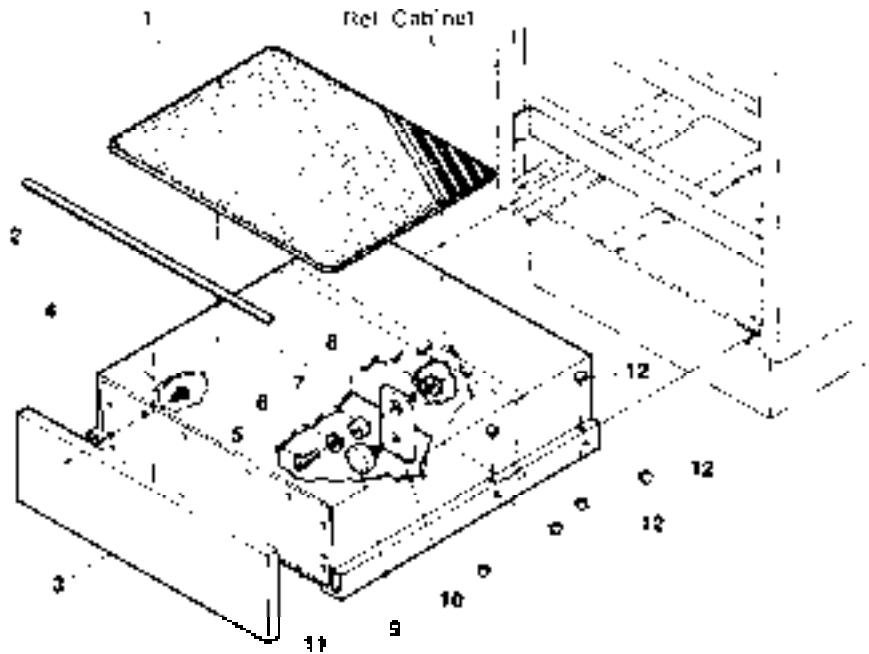
ITEM	PART NO.	DESCRIPTION	QTY.
1	002-0286-00	Upholstered Soft Touch Top	1
2	053-0043-03	Pole Socket R.H.	1
3	040-0006-26	Screw, Steel Metal Pan Hd.	2
4	042-0605-00	Wire Nail	1
5	055-0005-00	Wood Dowel	1
6	053-0043-04	Pole Socket L.H.	1
7	053-0024-00	Recess Bumper	2
8	040-0008-00	Screw, Wood Rd. Hd. Phillips	2
9	040-001 0-35	Screw, Self Tap 10-24 x 5-8" Lg.	4
10	040-001 0-01	Screw, Machine Pan Hd. 10-24 x 7-8" Lg.	7
11	016-0009-01	Top Hinge	1
12	002-0049-00	Paper Tear Strip Assembly	2

Foot Rest Assembly



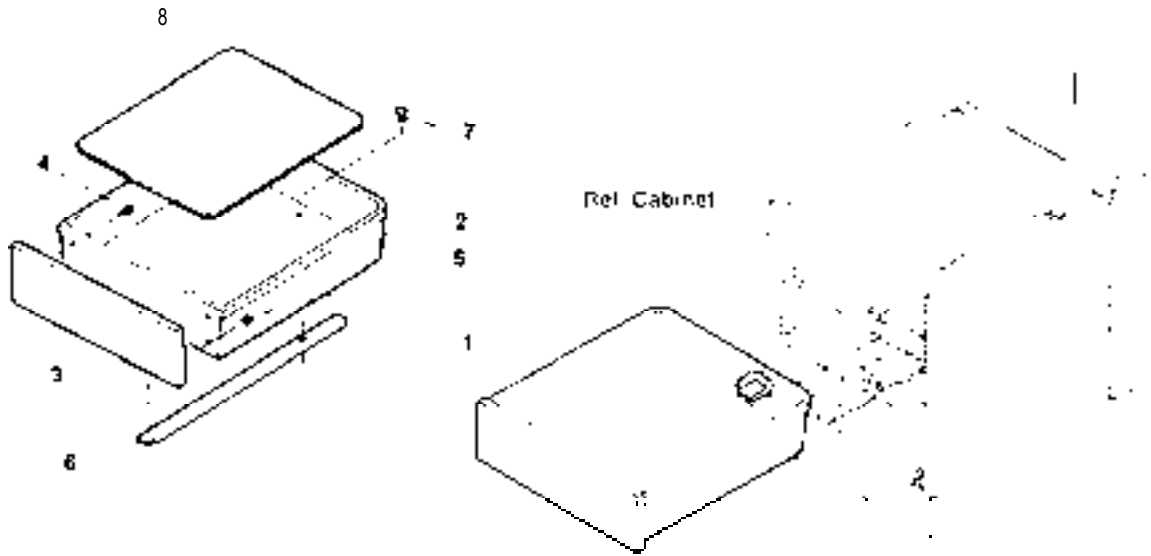
ITEM	PART NO.	DESCRIPTION	QTY.
1	002-0292-00	Upholstery Footrest Pad (Includes Items 1 & 2)	1
2	053-0365-00	Footrest Glide	4
3	053-0220-00	Treatment Pan	1
4	030-0670-20	Footrest	1
5	029 0159-00	Footrest Shelf Trim Assembly	1

Step Assembly



ITEM	PART NO.	DESCRIPTION	QTY.
	029-0162-02	Step Assembly Complete	1
1	053-0048-06	Step Cover.....	1
2	050-0379-00	Step Guard.....	1
3	055-1 200-01	Step Front	1
4	040-0006-00	Screw - Sheet Metal #6 x 1/2" Lg.	10
5	040-0008-06	Screw - Machine #8 - 32 - 1/2" Lg.	1
6	045-0001-39	Flat Washer #8	1
7	016-0138-09	Spacer #8 (3/16" Lg.)	1
8	041-0008-02	Nut #8 - 32 (Nylock)	1
9	053-0323-00	Button Bumper.....	1
10	051-0529-00	Bar-Step Stop	1
11	030-0587-20	Step Weldment	1
12	053-0001-00	Nylon Stem Bumper	12

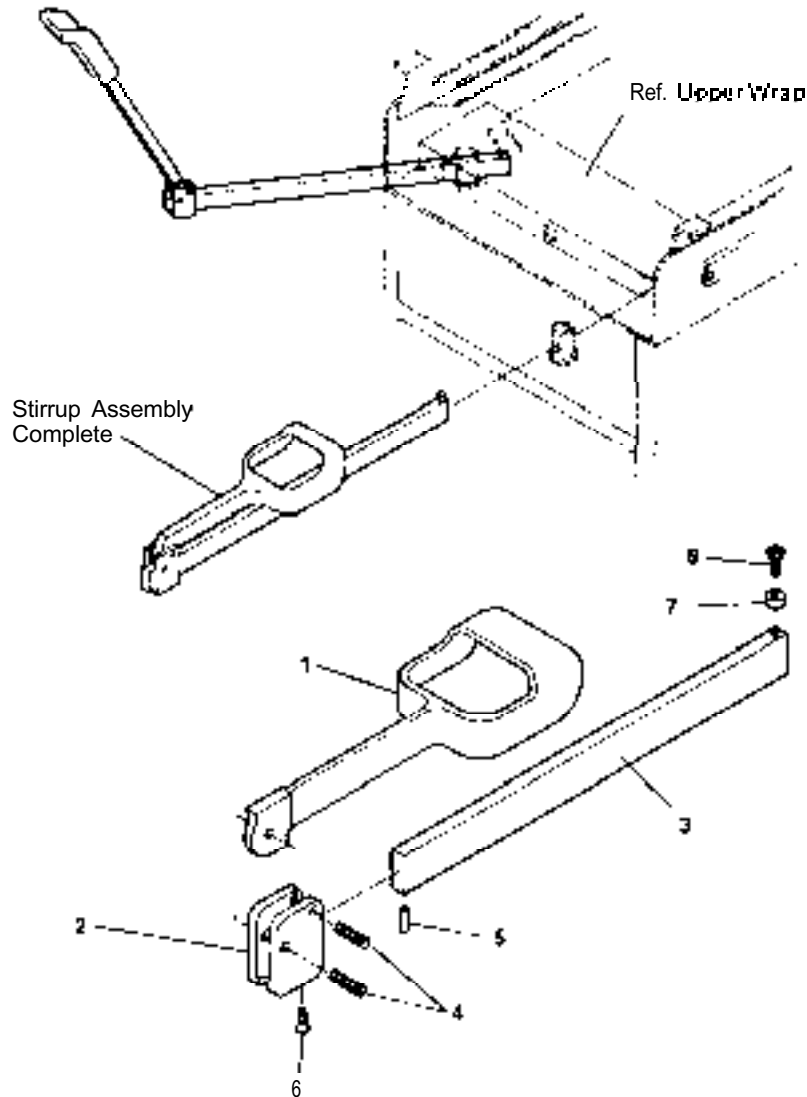
Drawer Assembly



ITEM	PART NO.	DESCRIPTION	QTY.
1	029-0313-01	Drawer Assembly Complete (Front) (Includes Items 2, 3, 4, 5, 6 & 7)	1
2	053-0125-00	Plastic Drawer	1
3	055-1 200-03	Drawer Front	1
4	040-0006-00	Screw, Sheet Metal 1/4" x 1/2" Lg.	6
5	053-0013-00	Self-Sticking Bumper	2
6	016-0136-00	Slide (Complete-Inner & Outer)	1
7	040-0008-26	Screw, Machine 3/8" x 5/16"	1
8	060-0002-02	Drawer Liner	1

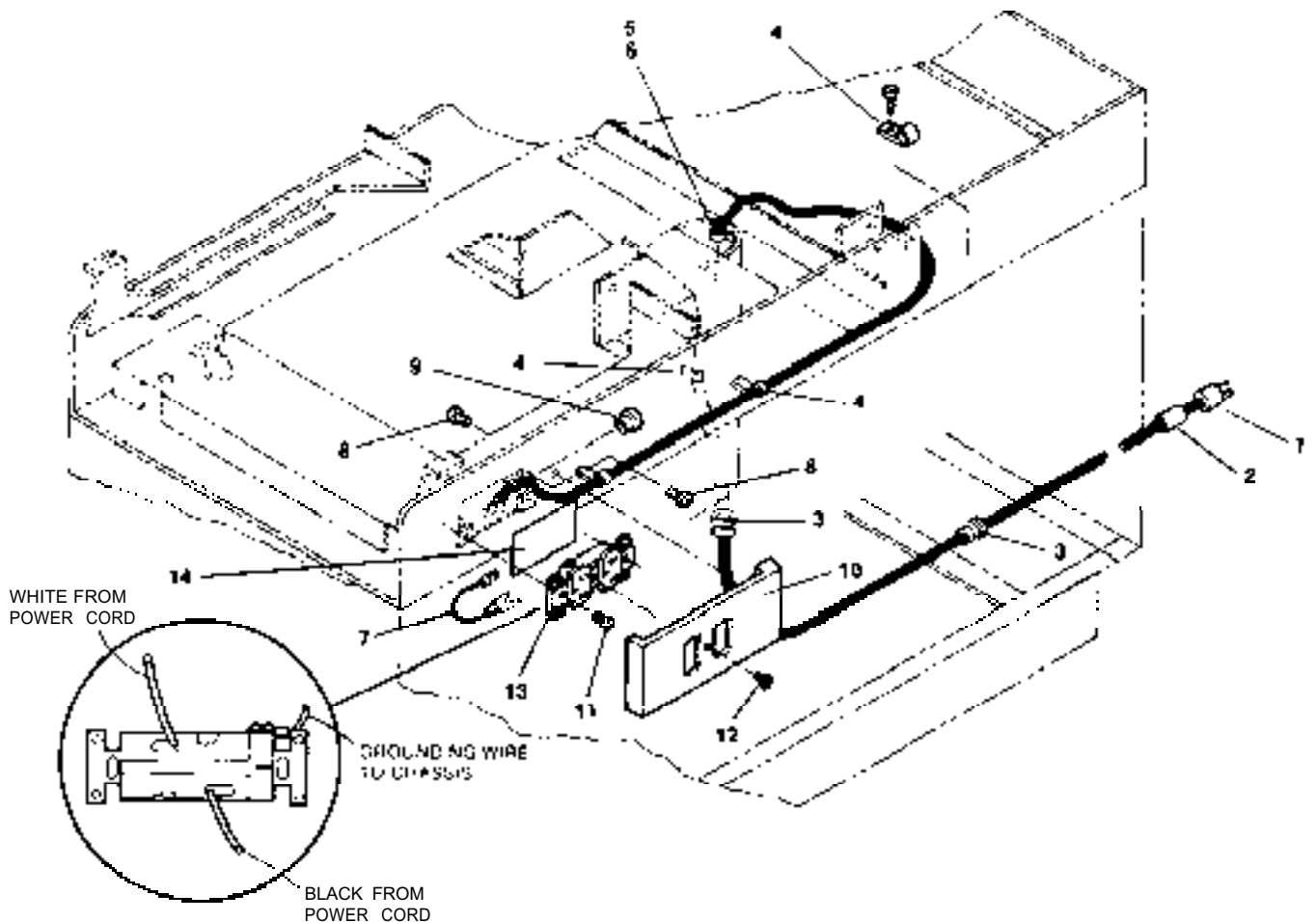
NOTE: Quantities for Items 1 thru 8 are for One Drawer Unit.

Stirrup Assembly



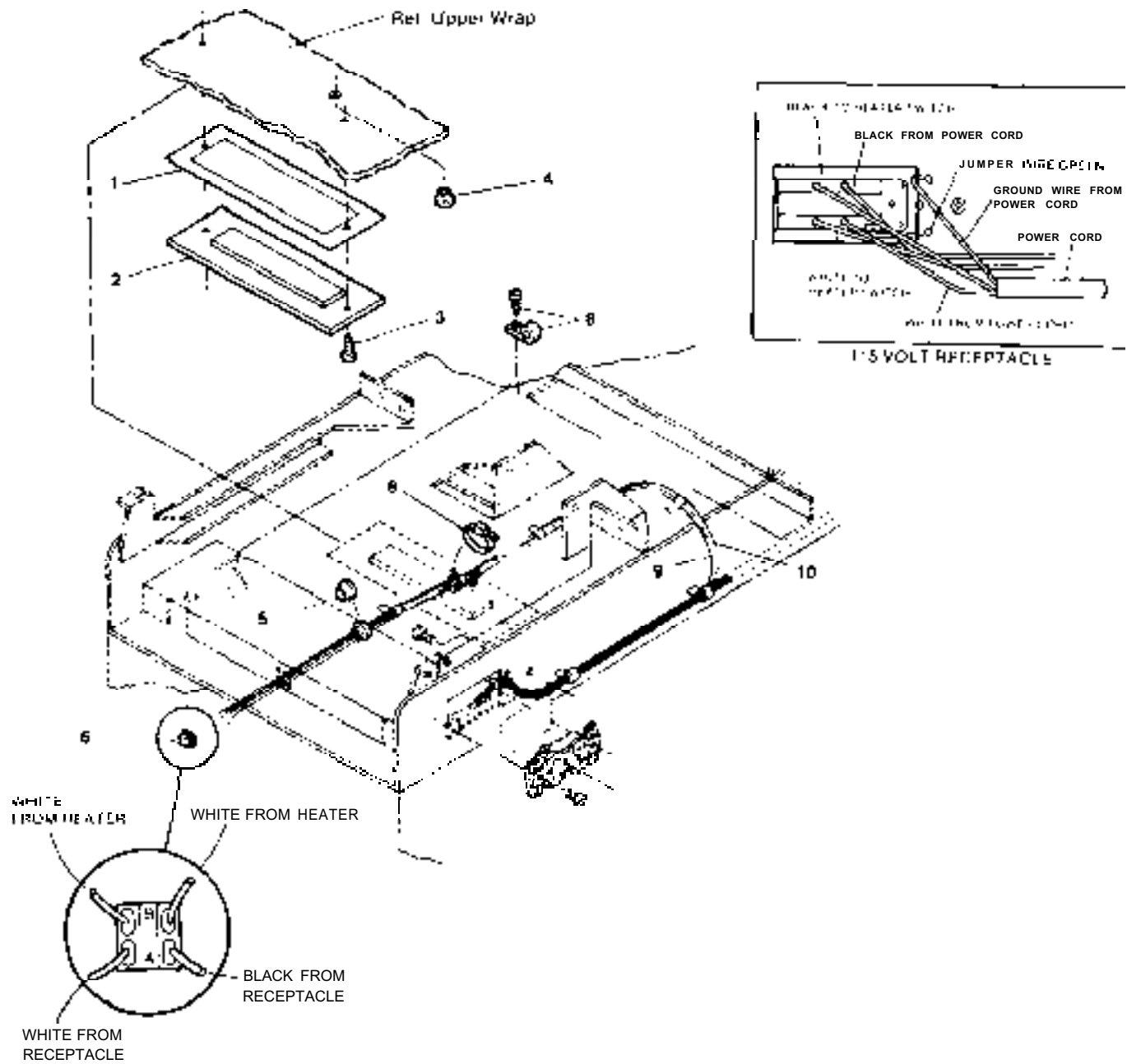
ITEM	PART NO.	DESCRIPTION	QTY.
	029-0152-00	Stirrup Assembly Complete	1
1	020-0001-01	Stirrup Vinyl Coated.....	1
2	020-0012-00	Back Pivot.....	1
3	051-0133-00	Bar Horizontal.....	1
4	042-0001-00	Roll Pin, 1/4" x 1".....	2
5	042-0001-02	Roll Pin, 3/16" x 1/2".....	1
6	040-0250-15	Screw, Set 1/4-20 x 5/16" w/ Nyllok.....	1
7	053-0081-00	Nylon 7/16" O.D. x 1/4" I.D. x 1/4" Lg.....	1
8	040-0250-01	Screw, 1/4-20 x 3/4" Self-Tap.....	1

Wiring Diagram



ITEM	PART NO.	DESCRIPTION	QTY.
1	015-0066-03	Power Cord Assembly	1
2	061-0034-00	Cord Tag	1
3	015-0002-01	Strain Relief Bushing	2
4	015-0007-02	Washer Flat 1/2" I.D.	4
5	040-001 0-00	Screw Self Tap 10-24 x 3/8" Lg.	1
6	015-0014-00	Wire Clip	1
7	015-0141-00	Jumper Wire-Green	1
8	040-001 0-47	#10-24 x 3/8 Pan Hd.	3
9	053-0068-07	Snap Bushing - 1 1/16" Dia.	1
10	053-0134-00	Receptacle Cover	1
11	040-0006-13	#6-32 x 3/8" Machine Screw	2
12	040-0006-23	#6-32 x 1/2" Machine Screw	1
13	015-0083-00	Duplex Receptacle	1
14	053-0092-00	Insulator Fishpaper	1

Wiring Diagram (For Table with Optional Heater)



ITEM	PART NO.	DESCRIPTION	QTY.
1	053-0362-00	Heatshield.....	1
2	029-1 222-00	Heater Plate Assembly.....	1
3	040-001 o-35	Screw, Self Tapping 10-24 x 5-6" Lg.....	2
4	053-0068-01	Snap Bushing.....	3
5	053-0068-00	Snap Bushing.....	1
6	015-0258-00	Heater Switch.....	1
7	015-0007-03	Wrap-N-Tap Wire Clamp.....	3
8	015-0013-00	Cable Tie.....	3
9	015-0064-03	Jumperwire.....	1
10	015-0064-02	Jumperwire.....	1

COMMENTS

The Technical Publications Department of Midmark Corporation takes pride in its publications. We are sure that our manuals will fill all of your needs when you are performing scheduled maintenance, servicing, or repairs on a Midmark product.

However, if you find any errors or feel that there should be a change, addition, or deletion to a manual, please let us know!

Page(s) and Paragraph(s) Needing Changed:

Description of Error or Desired Change:

Please fax or mail a copy of this completed comment sheet to:

Midmark Corporation
ATTN: Technical Publications Department
60 Vista Drive
Versailles, Ohio 45380
Fax: (937) 526-5542

FAX ORDERING FORM

(SERVICE PARTS ONLY)

NOTES:

- ALL **BLOCKED** AREAS MUST BE COMPLETED.
- USE FOR NON-WARRANTY FAX ORDERS ONLY. WARRANTY ORDERS MUST BE TELEPHONED IN (1-800-MIDMARK).

ATTENTION: SERVICE DEPARTMENT FAX#: 877-249-1793				
ACCT #: _____		P.O. #: _____		DATE: _____
NAME: _____		SHIP TO: _____		
ADDRESS: _____		_____		
CITY, ST.: _____		_____		
CONTACT: _____		_____		
PHONE: _____		_____		
<input type="checkbox"/> NON-EMERGENCY ORDER - TO SHIP WITHIN 72 HOURS IF PART(S) IN STOCK.		METHOD OF SHIPMENT <u>OTHER</u> _____		
<input type="checkbox"/> EMERGENCY ORDER - TO SHIP WITHIN 24 HOURS IF PART(S) IN STOCK (IF ORDER IS RECEIVED BEFORE 1:00 P.M. E.S.T).		UPS FED EX		
SEND NOTIFICATION IF PARTS ARE NOT AVAILABLE TO SHIP WITHIN 24 HOURS VIA E-MAIL OR FAX TO: _____		<input type="checkbox"/> NEXT DAY A.M. <input type="checkbox"/> NEXT DAY A.M.		
		<input type="checkbox"/> NEXT DAY P.M. <input type="checkbox"/> NEXT DAY P.M.		
		<input type="checkbox"/> 2ND DAY <input type="checkbox"/> 2ND DAY		
		<input type="checkbox"/> GROUND <input type="checkbox"/> ECONOMY		
QTY.	PART #	DESCRIPTION (SPECIFY COLOR OF ITEM IF APPLICABLE)	COLOR CODE	PRICE/PER
			TOTAL COST: \$	

Midmark Corporation
60 Vista Drive
P.O. Box 286
Versailles, Ohio 45380-0286
937-526-3662
Fax 937-526-5542
midmark.com



Because we care.

Subject to change without notice.
Refer to www.Documark.com for latest revision.