

103 -001
thru
-009

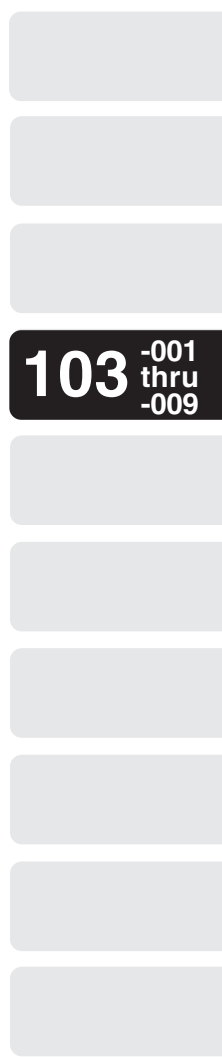
Ritter[®]
by MIDMARK

Medical
Examination
Table

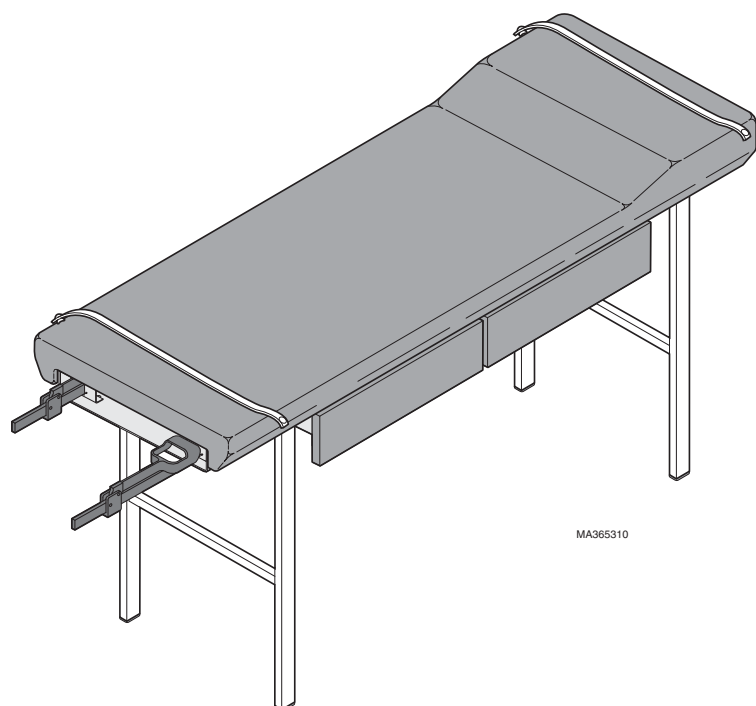
Service and
Parts Manual

Serial Number Prefix:
D & CB

NO LONGER IN PRODUCTION
Some service parts may not
be available for this product!



103 -001
thru
-009



MA365310

FOR USE BY MIDMARK
TRAINED TECHNICIANS ONLY

SF-1537

Part No. 004-0049-00 Rev. H (10/29/09)

TABLE OF CONTENTS

| Section/Paragraph | Page | Section/Paragraph | Page |
|---|------|--|-------|
| IMPORTANT INSTRUCTIONS | | SECTION VI PARTS LIST | |
| General Safety Instructions | ii | 6.1 Introduction | 6-1 |
| Warnings | ii | 6.2 Description of Columns | 6-1 |
| Warranty Instructions | ii | 6.3 Torque Specifications | 6-1 |
| SECTION I GENERAL INFORMATION | | Pictorial Index (103-001 thru 009) | 6-2.* |
| Not Applicable | | Table Assembly | 6-3.* |
| SECTION II TESTING AND TROUBLESHOOTING | | Table Assembly w/ Drawers and Stirrups | 6-4.* |
| Not Applicable | | Stirrup Components | 6-5.* |
| SECTION III SCHEDULED MAINTENANCE | | COMMENTS | 7-1 |
| Not Applicable | | FAX ORDERING FORM | 7-2 |
| SECTION IV MAINTENANCE/SERVICE INSTRUCTIONS | | | |
| Not applicable | | | |
| SECTION V SCHEMATICS AND DIAGRAMS | | | |
| Not Applicable | | | |

(*) Indicates that there has been a serial number break for the illustration and that there are additional point page(s) following the original page.

IMPORTANT INSTRUCTIONS

General Safety Instructions

Safety First: The primary concern of Midmark Corporation is that this examination table is maintained with the safety of the patient and staff in mind. To assure that services and repairs are completed safely and correctly, proceed as follows:

- (1) Read this entire manual before performing any services or repairs on this exam light.
- (2) Be sure you understand the instructions contained in this manual before attempting to service or repair this exam light.

Warnings

Throughout this manual are Note, Caution, and Danger paragraphs that call attention to particular procedures. These items are used as follows:



DANGER

A **DANGER** is used for an imminently hazardous operating procedure, practice, or condition which, if not correctly followed, will result in loss of life or serious personal injury.



WARNING

A **WARNING** is used for a potentially hazardous operating procedure, practice, or condition which, if not correctly followed, could result in loss of life or serious personal injury.



CAUTION

A **CAUTION** is used for a potentially hazardous operating procedure, practice, or condition which, if not correctly followed, could result in minor or moderate injury. It may also be used to alert against unsafe practices.



EQUIPMENT ALERT

An **EQUIPMENT ALERT** is used for an imminently or potentially hazardous operating procedure, practice, or condition which, if not correctly followed, will or could result in serious, moderate, or minor damage to unit.

NOTE

A **NOTE** is used to amplify an operating procedure, practice or condition.

Warranty Instructions

Refer to the Midmark "Limited Warranty" printed on the back cover of the Installation and Operation Manual for warranty information. Failure to follow the guidelines listed below will void the warranty and/or render the 103 Examination Table unsafe for operation.

- In the event of a malfunction, do not attempt to operate the exam table until necessary repairs have been made.
- Do not attempt to disassemble exam table, replace malfunctioning or damaged components, or perform adjustments unless you are one of Midmark's authorized service technicians.
- Do not substitute parts of another manufacturer when replacing inoperative or damaged components. Use only Midmark replacement parts.

SECTION VI PARTS LIST

6.1 Introduction

The illustrated parts list provides information for identifying and ordering the parts necessary to maintain the unit in peak operating condition. Refer to paragraph 1.5 for parts ordering information.

The parts list also illustrates disassembly and assembly relationships of parts.

6.2 Description of Columns

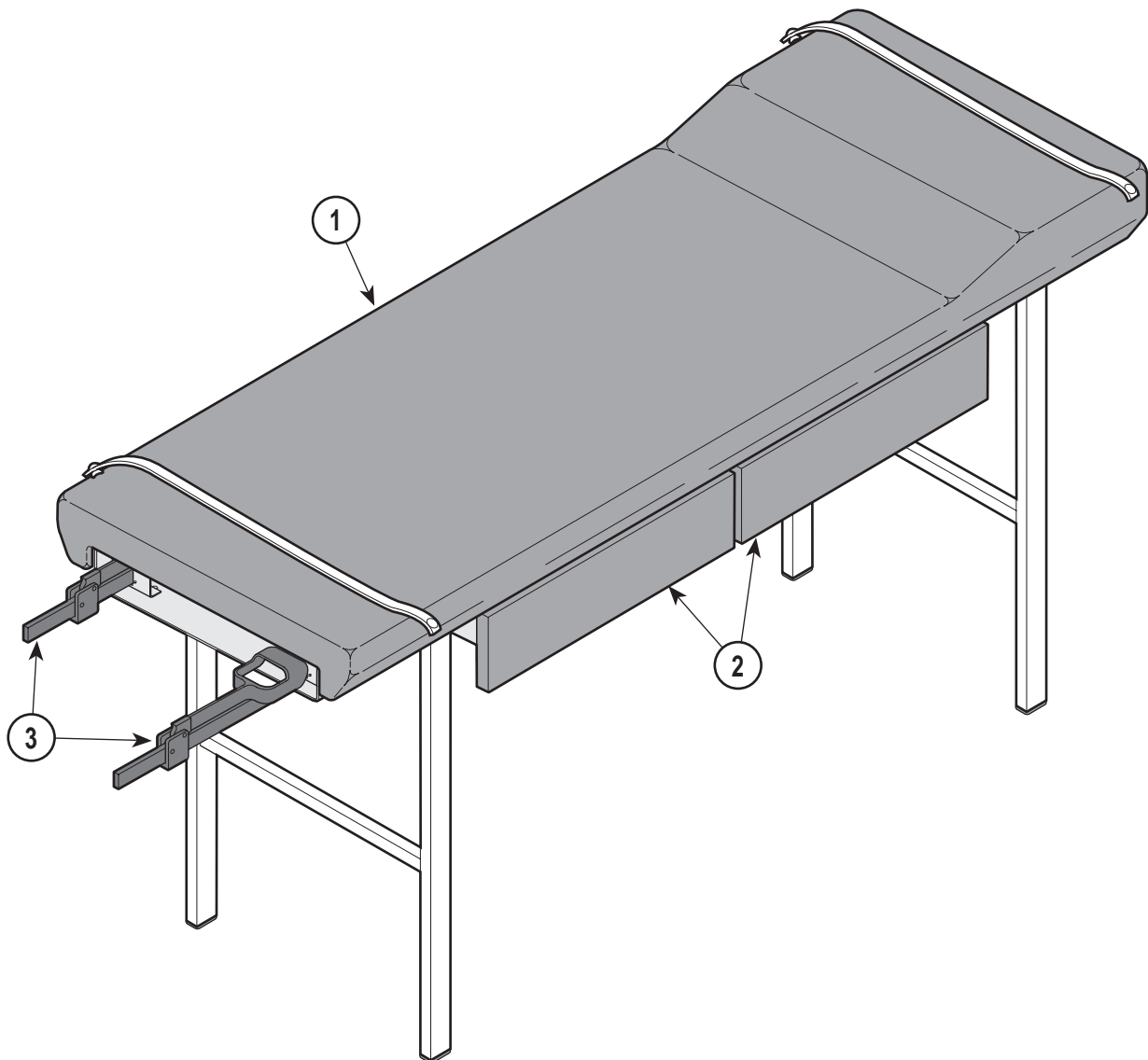
The *Item* column of the parts list gives a component its own unique number. The same number is given to the component in the parts illustration. This allows a part number of a component to be found if the technician can visually spot the part on the illustration. The technician simply finds the component in question on the illustration and notes the item number of that component. Then, he finds that item number in the parts list. The row corresponding to the item number gives the technician the part number, a description of the component, and quantity of parts per subassembly. Also, if a part number is known, the location of that component can be determined by looking for the item number of the component on the illustration.

The *Part No.* column lists the MIDMARK part number for that component.

The *Description* column provides a physical description of the component.

The *Qty.* column lists the number of units of a particular component that is required for the subassembly. The letters "AR" denote "as required" when quantities of a particular component cannot be determined, such as: adhesive.

Bullets { • } in the *Part No.* column and the *Description* column show the indenture level of a component. If a component does not have a bullet, it is a main component of that illustration. If a component has a bullet, it is a subcomponent of the next component listed higher in the parts list than itself that does not have a bullet. Likewise, if a component has two bullets, it is a subcomponent of the next component listed higher in the parts list than itself that has only one bullet.

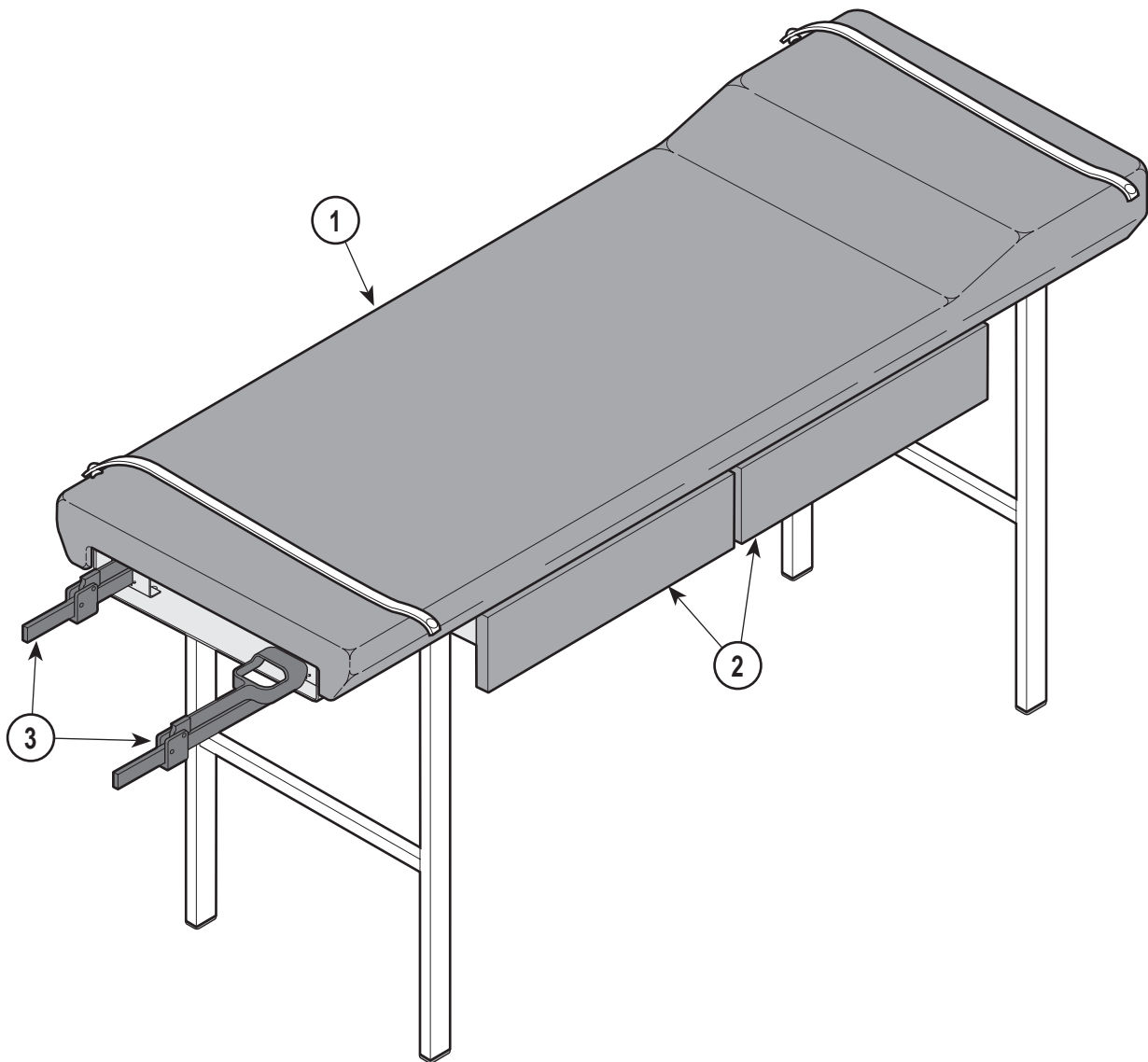


MA365300

Used on units with Serial Number D1000 thru Present

| Item | Part No. | Description | Page | Item | Part No. | Description | Page |
|------|----------|--|------|------|----------|---|-----------|
| 1 | 103-001 | Staffline Table (Burnt Umber) | 6-2 | 2 | • | • Table Assembly | 6-3 |
| | 103-002 | Staffline Table with Drawers (Burnt Umber) | 6-2 | | • | • Table Assy. w/ Drawers & Stirrups ... | 6-4 |
| | 103-003 | Staffline Table with Stirrups (Burnt Umber) | 6-2 | 3 | •• | •• Stirrup Components - Obsolete | 6-5 |
| | 103-004 | Staffline Table w/ Drawers & Stirrups (Burnt Umber) | 6-2 | | •• | •• 103 Stirrup Kit - Replacement Kit | 6-6 |
| | | | | 4 | | OPTIONAL ACCESSORIES | |
| | | | | | | Caster Assembly | 6-3 & 6-4 |

Always Specify Model & Serial Number



MA365300

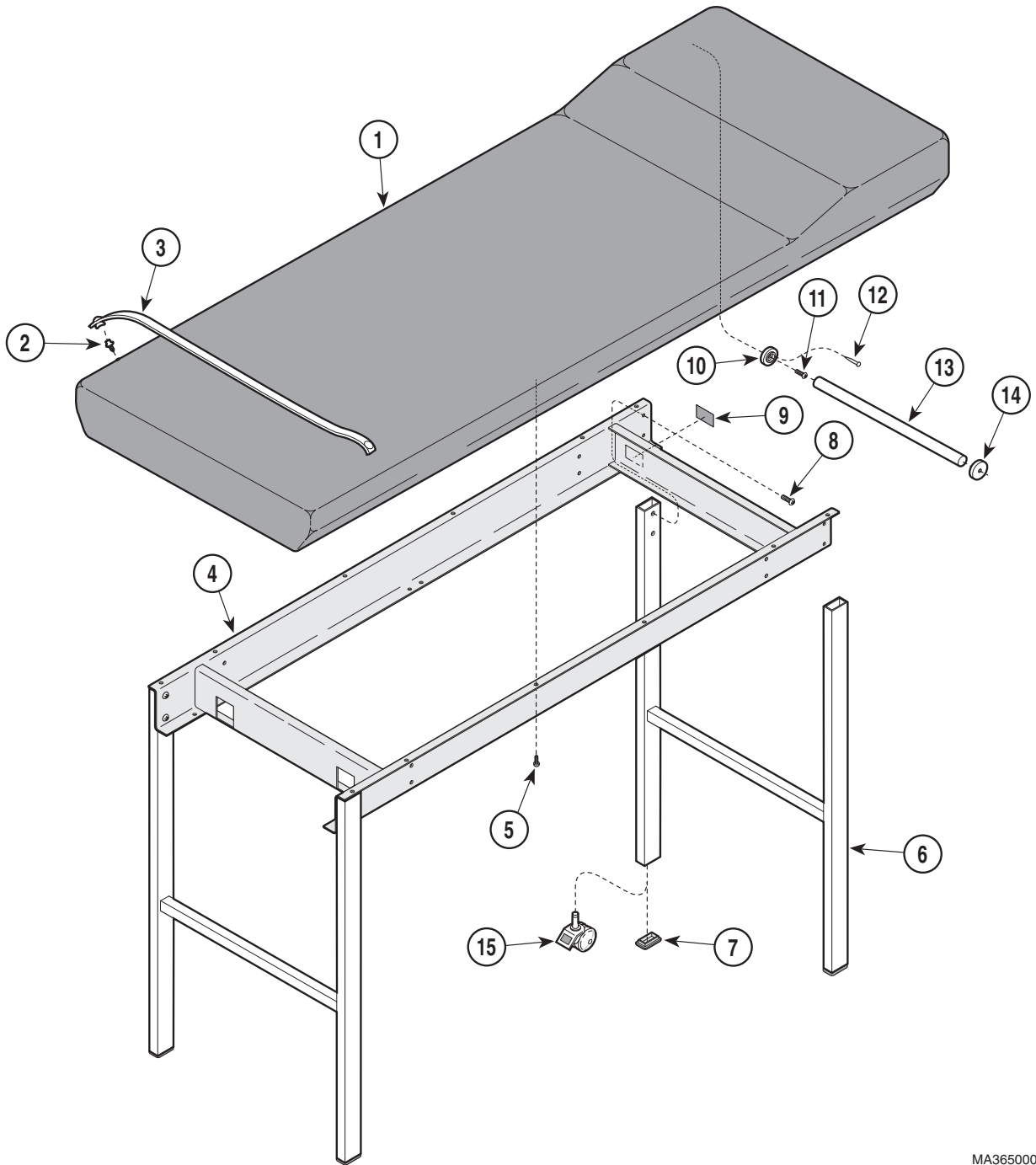
Used on units with Serial Number CB1000 thru Present

| Item | Part No. | Description | Page | Item | Part No. | Description | Page |
|------|----------|--|-------|------|----------|---|---------------|
| 1 | 103-006 | Staffline Table (Burnt Umber) | 6-2.1 | 2 | • | • Table Assembly | 6-3.1 |
| | 103-007 | Staffline Table with Drawers (Burnt Umber) | 6-2.1 | | • | • Table Assy. w/ Drawers & Stirrups | 6-4.1 |
| | 103-008 | Staffline Table with Stirrups (Burnt Umber) | 6-2.1 | 3 | •• | •• Stirrup Components - Obsolete ... | 6-5.1 |
| | 103-009 | Staffline Table w/ Drawers & Stirrups (Burnt Umber) | 6-2.1 | | •• | •• 103 Stirrup Kit - Replacement Kit | 6-6 |
| | | | | 4 | | OPTIONAL ACCESSORIES | |
| | | | | | | Caster Assembly | 6-3.1 & 6-4.1 |

Always Specify Model & Serial Number

Table Assembly

SECTION VI PARTS LIST



MA365000

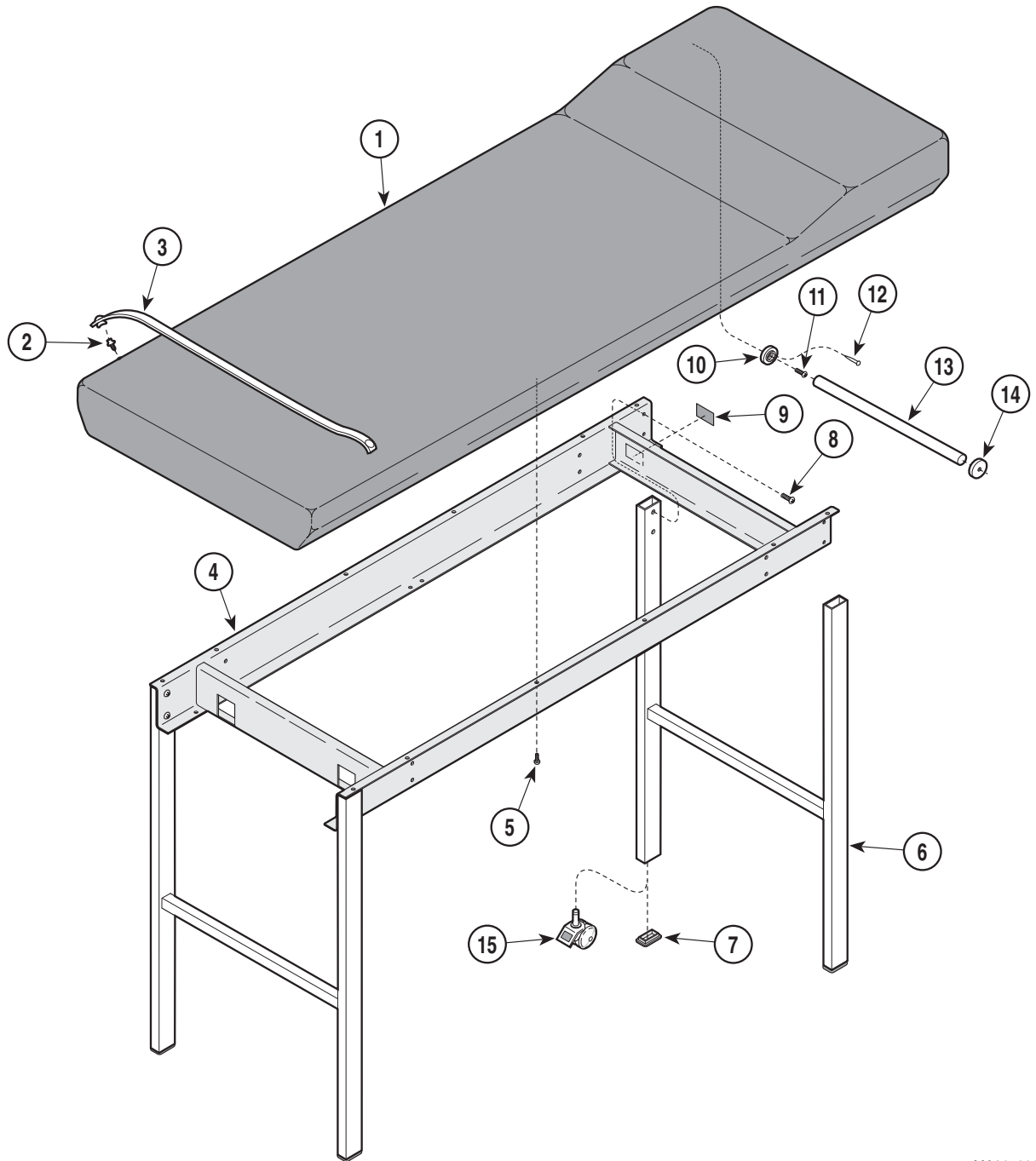
Used on units with Serial Number D1000 thru Present

| Item | Part No. | Description | Qty. | Item | Part No. | Description | Qty. |
|------|---------------|---|------|------|-------------|--|------|
| 1 | 028-0005-00 | Upholstered Top (Includes Item 2 [Specify Color]) | 1 | 9 | | Serial Number Label | 1 |
| 2 | • 016-0022-00 | • Stud | 4 | 10 | 053-0043-02 | R.H. Pole Socket | 1 |
| 3 | 029-0017-00 | Paper Tear Strip Assembly | 2 | 11 | 040-0006-26 | Screw | 2 |
| 4 | 030-0045-00 | Sub Frame Assembly | 1 | 12 | 042-0605-00 | Wire Nail | 1 |
| 5 | 040-0250-03 | Screw | 12 | 13 | 055-0005-00 | Dowel | 1 |
| 6 | 029-0614-00 | "H" Frame (Includes Item 7 [Specify Leg Length When Ordering] {31.5" Std.}) ... | 2 | 14 | 053-0043-01 | L.H. Pole Socket | 1 |
| 7 | • 053-0115-01 | • Rectangular Leg Plug | 4 | 15 | 016-0032-01 | Locking Caster (Supplied as an option - Affects length and style of "H" frame [Item 6] - Specify when ordering | 4 |
| 8 | 040-0250-88 | Screw | 8 | | | | |

Always Specify Model & Serial Number

Table Assembly

SECTION VI PARTS LIST



MA365000

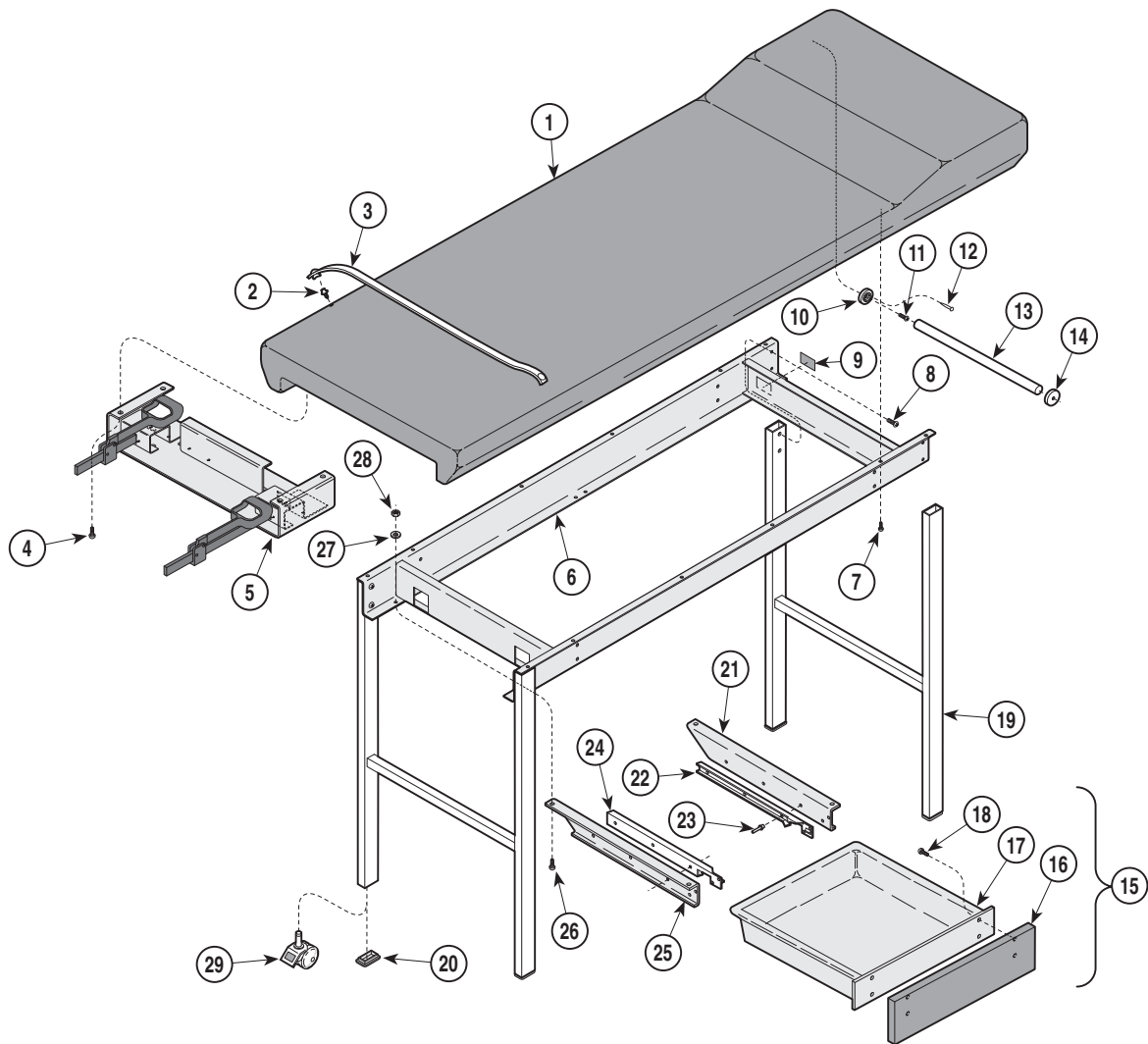
Used on units with Serial Number CB1000 thru Present

| Item | Part No. | Description | Qty. | Item | Part No. | Description | Qty. |
|------|---------------|---|------|------|-------------|--|------|
| 1 | 028-0005-00 | Upholstered Top (Includes Item 2 [Specify Color]) | 1 | 9 | | Serial Number Label | 1 |
| 2 | • 016-0022-00 | • Stud | 4 | 10 | 053-0043-04 | R.H. Pole Socket | 1 |
| 3 | 029-0017-00 | Paper Tear Strip Assembly | 2 | 11 | 040-0006-26 | Screw | 2 |
| 4 | 030-0045-10 | Sub Frame Assembly | 1 | 12 | 042-0605-00 | Wire Nail | 1 |
| 5 | 040-0250-03 | Screw | 12 | 13 | 055-0005-00 | Dowel | 1 |
| 6 | 029-0614-00 | "H" Frame (Includes Item 7 [Specify Leg Length When Ordering] {31.5" Std.}) ... | 2 | 14 | 053-0043-03 | L.H. Pole Socket | 1 |
| 7 | • 053-0115-01 | • Rectangular Leg Plug | 4 | 15 | 016-0032-01 | Locking Caster (Supplied as an option - Affects length and style of "H" frame [Item 6] - Specify when ordering | 4 |
| 8 | 040-0250-88 | Screw | 8 | | | | |

Always Specify Model & Serial Number

Table Assembly with Drawers and Stirrup Assembly

SECTION VI PARTS LIST



MA365100

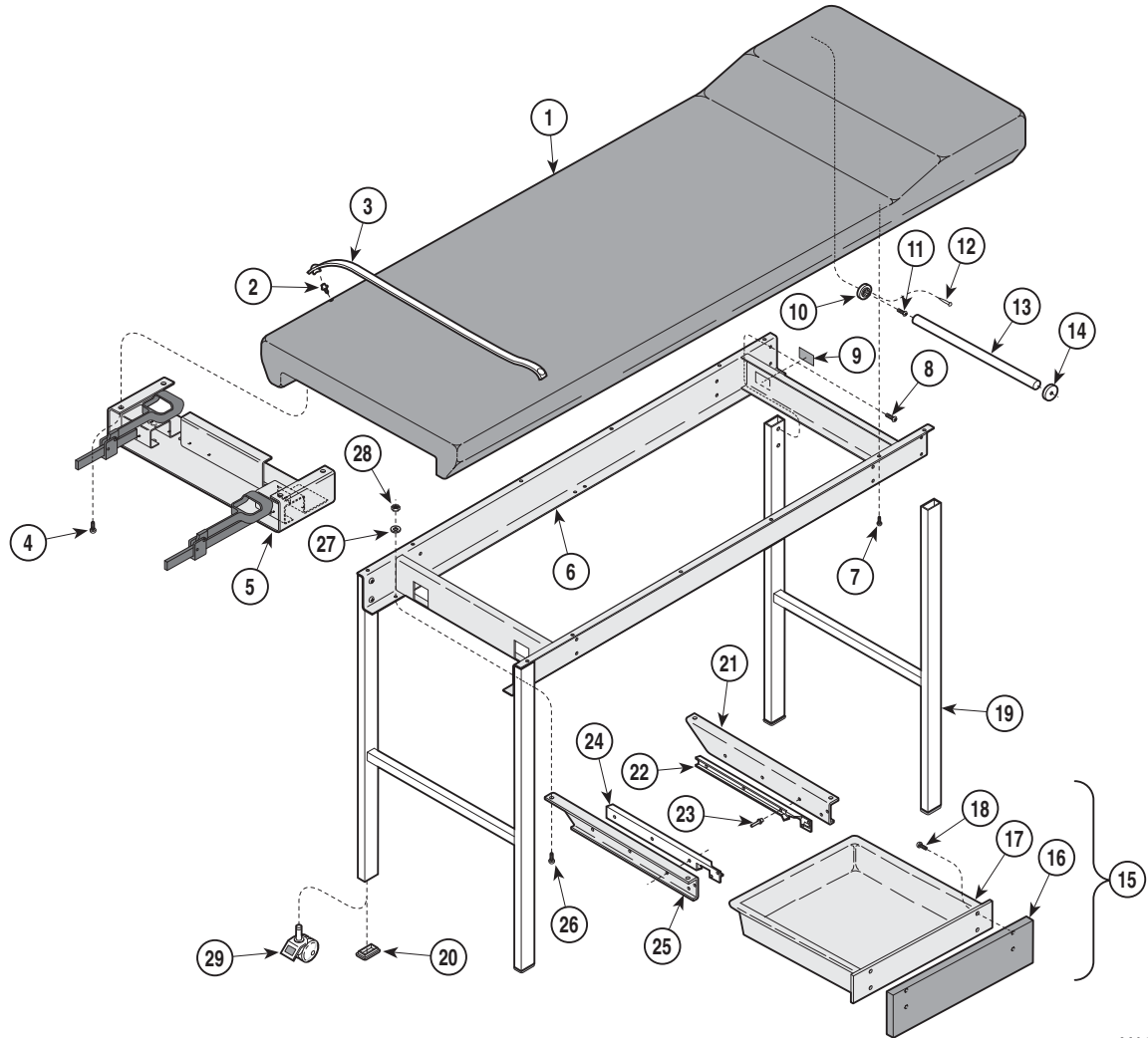
Used on units with Serial Number D1000 thru Present

| Item | Part No. | Description | Qty. | Item | Part No. | Description | Qty. |
|------|--------------|---|------|------|--------------|--|------|
| 1 | 028-0018-00 | Upholstered Top w/ Stirrup Cutout (Includes Item 2 [Specify Color]) | 1 | 16 | •063-2700-00 | •Drawer Front (Specify Color) | 1 |
| 2 | •016-0022-00 | •Stud | 4 | 17 | •060-0002-00 | •Drawer Liner (Not Shown) | 2 |
| 3 | 029-0017-00 | Paper Tear Strip Assembly | 2 | 18 | •053-0829-00 | •Plastic Drawer | 1 |
| 4 | 040-0250-03 | Screw | 4 | 19 | •040-0006-83 | •Screw | 4 |
| 5 | | Stirrup Assembly (Refer to "Stirrup Components" Elsewhere) | Ref | 19 | 029-0614-00 | "H" Frame (Includes Item 20 [Specify Leg Length When Ordering] {31.5" Std.}) | 2 |
| 6 | 030-0045-00 | Sub Frame Assembly | 1 | 20 | •053-0115-01 | •Rectangular Leg Plug | 4 |
| 7 | 040-0250-03 | Screw | 12 | 21 | 050-0131-00 | R.H. Runner Bracket | 2 |
| 8 | 040-0250-88 | Screw | 8 | 22 | 053-0005-00 | R.H. Drawer Runner | 2 |
| 9 | | Serial Number Label | 1 | 23 | 042-0010-01 | Pop Rivet | 10 |
| 10 | 053-0043-02 | R.H. Pole Socket | 1 | 24 | 053-0006-00 | L.H. Drawer Runner | 2 |
| 11 | 040-0006-26 | Screw | 2 | 25 | 050-0131-01 | L.H. Runner Bracket | 2 |
| 12 | 042-0605-00 | Wire Nail | 1 | 26 | 040-0010-06 | Screw | 8 |
| 13 | 055-0005-00 | Dowel | 1 | 27 | 045-0001-04 | Lockwasher | 8 |
| 14 | 053-0043-01 | L.H. Pole Socket | 1 | 28 | 041-0010-00 | Nut | 8 |
| 15 | 029-0023-00 | Drawer Assembly (Includes Items 16 thru 18) | 2 | 29 | 016-0032-01 | Locking Caster (Supplied as an option - Affects length and style of "H" frame [Item 19] - Specify when ordering) | 4 |

Always Specify Model & Serial Number

Table Assembly with Drawers and Stirrup Assembly

SECTION VI PARTS LIST



MA365100

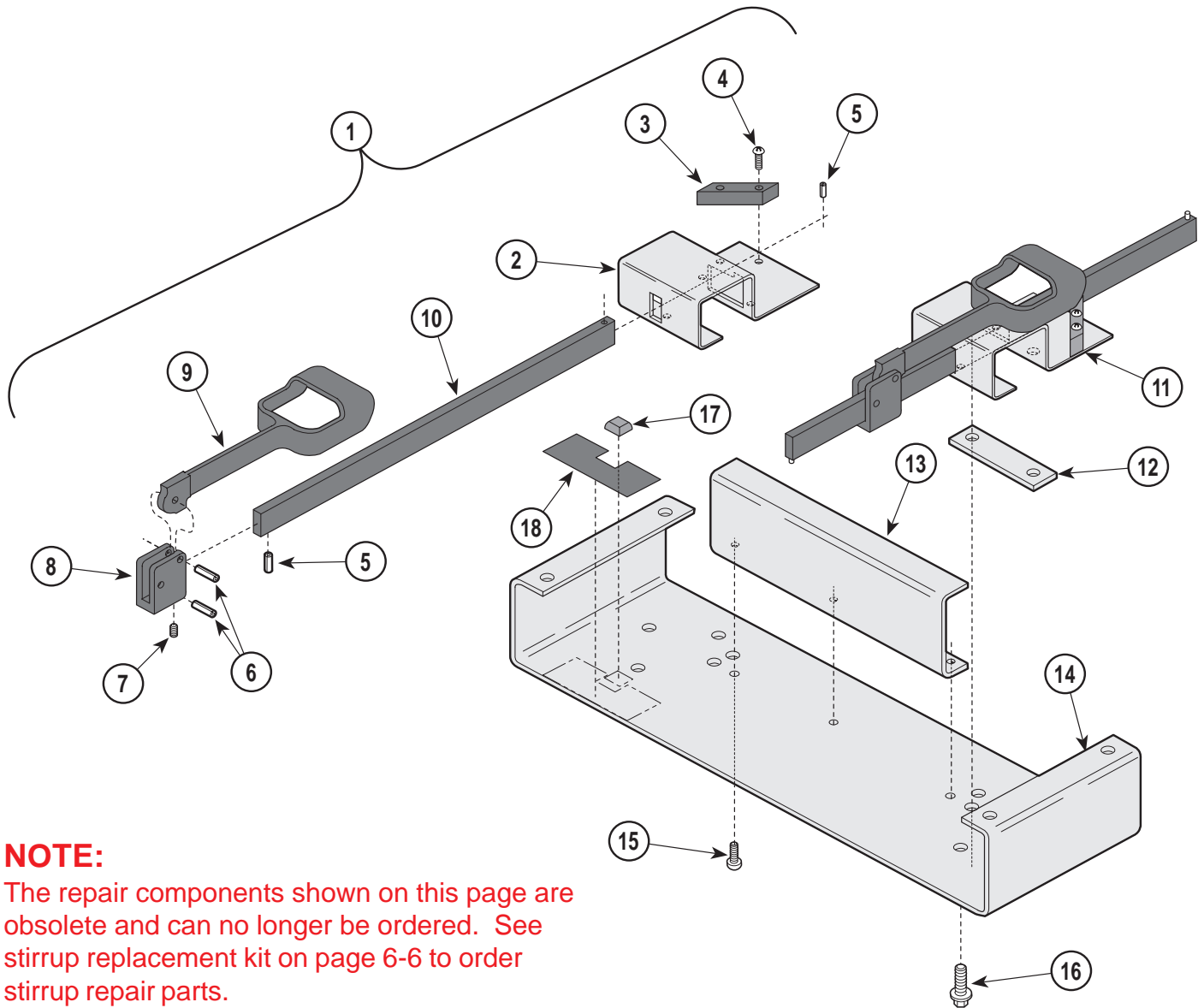
Used on units with Serial Number CB1000 thru Present

| Item | Part No. | Description | Qty. | Item | Part No. | Description | Qty. |
|------|--------------|---|------|--------------|-----------------------------|--|------|
| 1 | 028-0018-00 | Upholstered Top w/ Stirrup Cutout (Includes Item 2 [Specify Color]) | 1 | 16 | •063-2700-00 | • Drawer Front (Specify Color) | 1 |
| 2 | •016-0022-00 | • Stud | 4 | •060-0002-00 | •• Drawer Liner (Not Shown) | | 2 |
| 3 | 029-0017-00 | Paper Tear Strip Assembly | 2 | 17 | •053-0829-00 | • Plastic Drawer | 1 |
| 4 | 040-0250-03 | Screw | 4 | •040-0006-83 | • Screw | | 4 |
| 5 | | Stirrup Assembly (Refer to "Stirrup Components" Elsewhere) | Ref | 18 | 029-0614-00 | "H" Frame (Includes Item 20 [Specify Leg Length When Ordering] {31.5" Std.}) | 2 |
| 6 | 030-0045-10 | Sub Frame Assembly | 1 | 19 | 029-0614-00 | "H" Frame (Includes Item 20 [Specify Leg Length When Ordering] {31.5" Std.}) | 2 |
| 7 | 040-0250-03 | Screw | 12 | 20 | •053-0115-01 | • Rectangular Leg Plug | 4 |
| 8 | 040-0250-88 | Screw | 8 | 21 | 050-0131-10 | R.H. Runner Bracket | 2 |
| 9 | | Serial Number Label | 1 | 22 | 053-0005-05 | R.H. Drawer Runner | 2 |
| 10 | 053-0043-04 | R.H. Pole Socket | 1 | 23 | 042-0010-01 | Pop Rivet | 10 |
| 11 | 040-0006-26 | Screw | 2 | 24 | 053-0006-06 | L.H. Drawer Runner | 2 |
| 12 | 042-0605-00 | Wire Nail | 1 | 25 | 050-0131-11 | L.H. Runner Bracket | 2 |
| 13 | 055-0005-00 | Dowel | 1 | 26 | 040-0010-06 | Screw | 8 |
| 14 | 053-0043-03 | L.H. Pole Socket | 1 | 27 | 045-0001-04 | Lockwasher | 8 |
| 15 | 029-0023-01 | Drawer Assembly (Includes Items 16 thru 18) | 2 | 28 | 041-0010-00 | Nut | 8 |
| | | | | 29 | 016-0032-01 | Locking Caster (Supplied as an option - Affects length and style of "H" frame [Item 19] - Specify when ordering) | 4 |

Always Specify Model & Serial Number

Stirrup Components

SECTION VI PARTS LIST



NOTE:

The repair components shown on this page are obsolete and can no longer be ordered. See stirrup replacement kit on page 6-6 to order stirrup repair parts.

MA365200

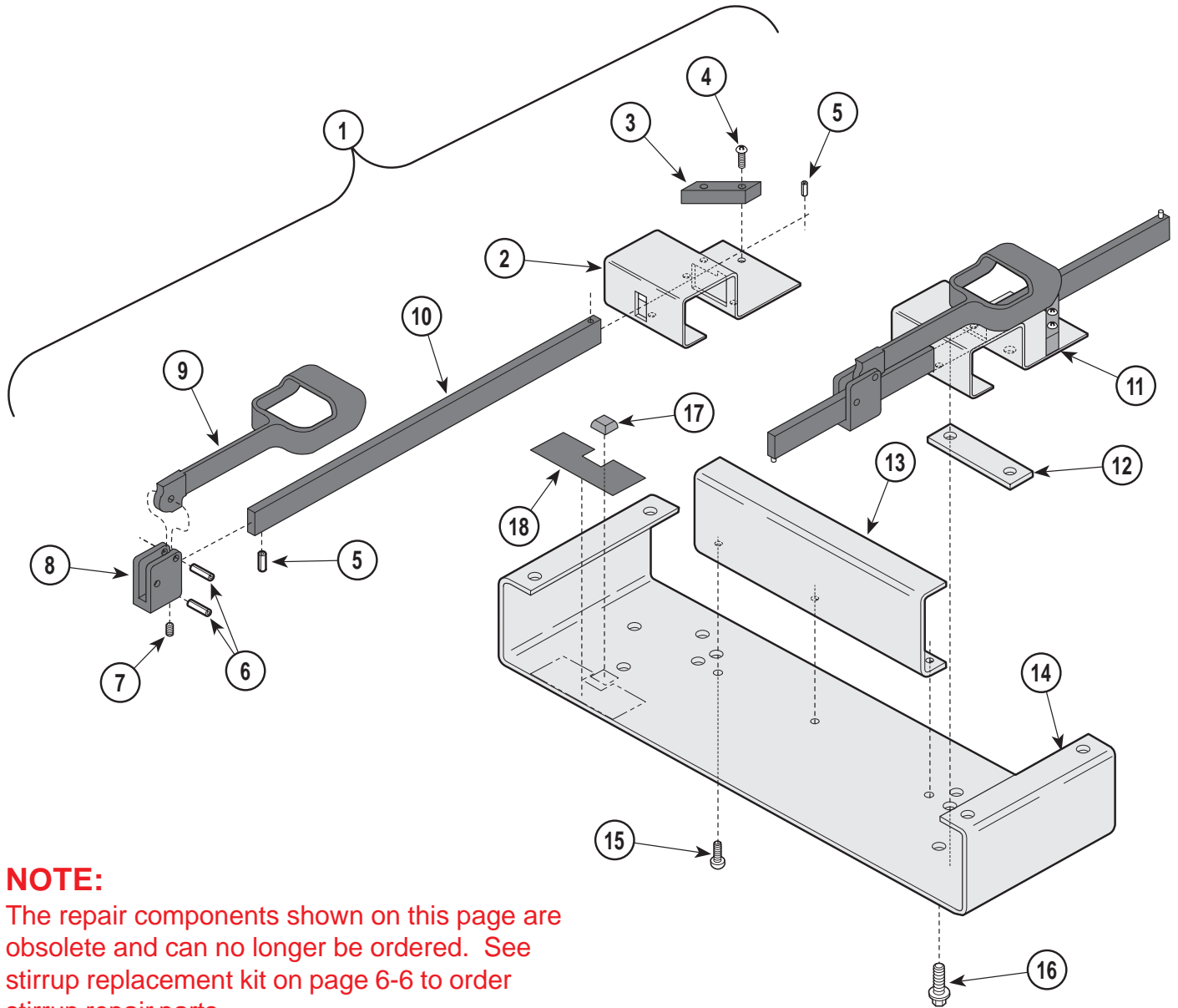
Used on units with Serial Number D1000 thru Present

| Item | Part No. | Description | Qty. | Item | Part No. | Description | Qty. |
|------|---------------|--|------|------|---------------|--|------|
| 1 | 029-0025-00 | R.H. Stirrup Assembly (Includes Item 2 thru 10) | 1 | 10 | • 051-0005-00 | • Horizontal Bar | 1 |
| 2 | • 050-0121-00 | • R.H. Stirrup Housing (Shown) | 1 | 11 | 029-0025-01 | L.H. Stirrup Assembly (Includes Item 2 thru 10) | 1 |
| | • 050-0121-01 | • L.H. Stirrup Housing | 1 | 12 | 050-0134-00 | Spacer | 2 |
| 3 | • 053-0028-00 | • Stirrup Bumper | 1 | 13 | 050-0133-00 | Brace | 1 |
| 4 | • 040-0250-43 | • Screw | 2 | 14 | 050-0132-00 | Stirrup Support Channel | 1 |
| 5 | • 042-0001-02 | • Roll Pin | 2 | 15 | 040-0010-00 | Screw | 3 |
| 6 | • 042-0001-00 | • Roll Pin | 2 | 16 | 040-0312-00 | Screw | 6 |
| 7 | • 040-0250-15 | • Set Screw | 1 | 17 | 053-0015-00 | Self Sticking Bumper | 2 |
| 8 | • 020-0012-00 | • Pivot Block | 1 | 18 | 061-0009-00 | Stirrup Instruction Tag | 1 |
| 9 | • 020-0001-01 | • Vinyl Coated Stirrup | 1 | | | | |

Always Specify Model & Serial Number

Stirrup Components

SECTION VI PARTS LIST



NOTE:

The repair components shown on this page are obsolete and can no longer be ordered. See stirrup replacement kit on page 6-6 to order stirrup repair parts.

MA365200

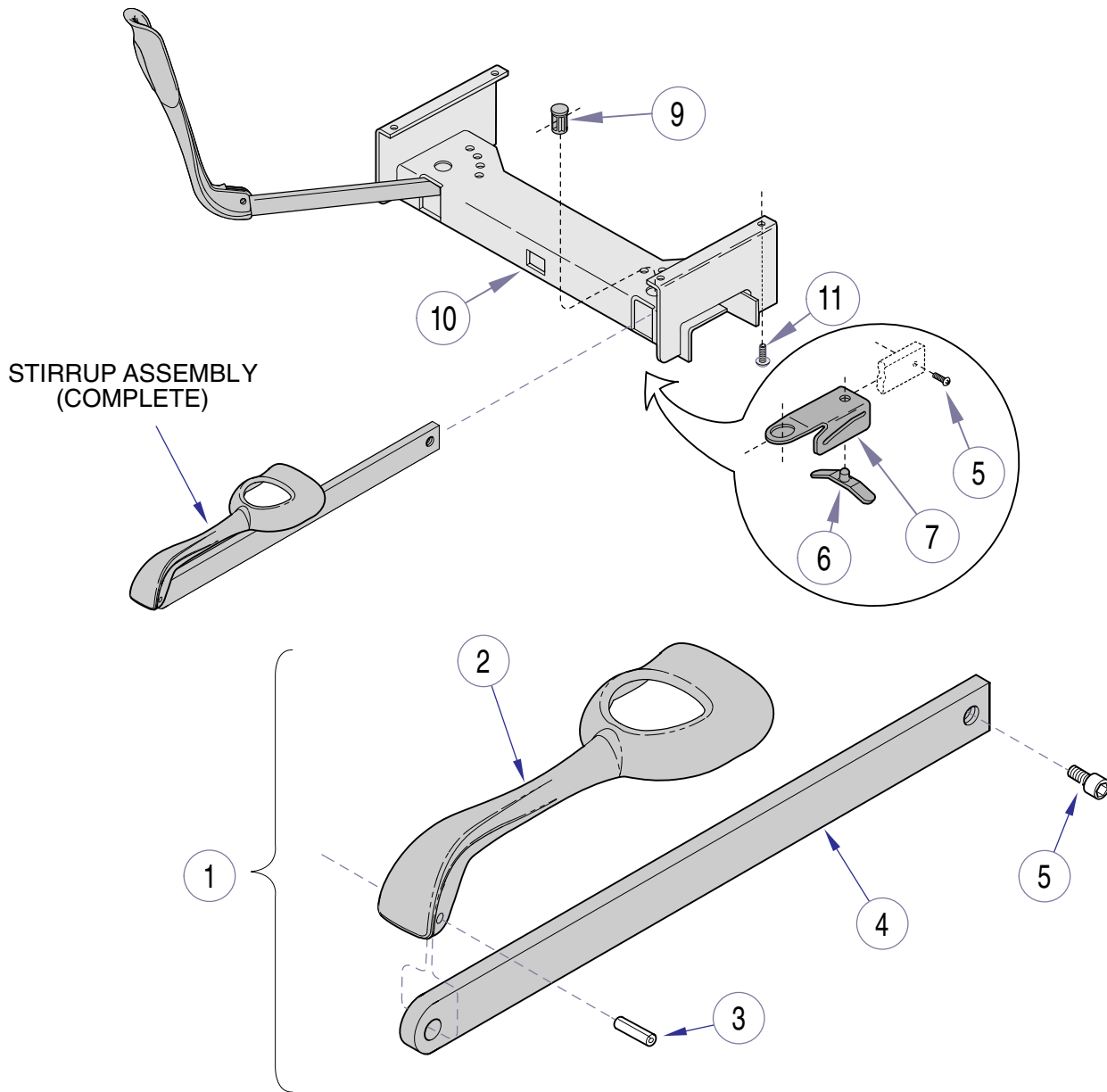
Used on units with Serial Number CB1000 thru Present

| Item | Part No. | Description | Qty. | Item | Part No. | Description | Qty. |
|------|---------------|--|------|------|---------------|--|------|
| 1 | 029-0025-02 | R.H. Stirrup Assembly (Includes Item 2 thru 10) | 1 | 10 | • 051-0005-00 | • Horizontal Bar | 1 |
| 2 | • 050-0121-10 | • R.H. Stirrup Housing (Shown) | 1 | 11 | 029-0025-03 | L.H. Stirrup Assembly (Includes Item 2 thru 10) | 1 |
| | • 050-0121-11 | • L.H. Stirrup Housing | 1 | 12 | 050-0134-10 | Spacer | 2 |
| 3 | • 053-0028-00 | • Stirrup Bumper | 1 | 13 | 050-0133-10 | Brace | 1 |
| 4 | • 040-0250-43 | • Screw | 2 | 14 | 050-0132-10 | Stirrup Support Channel | 1 |
| 5 | • 042-0001-02 | • Roll Pin | 2 | 15 | 040-0010-00 | Screw | 3 |
| 6 | • 042-0001-00 | • Roll Pin | 2 | 16 | 040-0312-00 | Screw | 6 |
| 7 | • 040-0250-15 | • Set Screw | 1 | 17 | 053-0443-00 | Slide Pad | 2 |
| 8 | • 020-0012-00 | • Pivot Block | 1 | 18 | 061-0009-00 | Stirrup Instruction Tag | 1 |
| 9 | • 020-0001-01 | • Vinyl Coated Stirrup | 1 | | | | |

Always Specify Model & Serial Number

103 Stirrup Kit

SECTION VI PARTS LIST



This assembly is no longer available. It has been replaced by 002-0719-07. Note: This kit contains two stirrup assemblies.

MA380502i

This Replacement Kit is Used on all units

| Item | Part No. | Description | Qty. | Item | Part No. | Description | Qty. |
|------|--------------|---|------|------|-------------|---|------|
| 1 | 002-0719-07 | Stirrup Assembly (incl. two assemblies) | 1 | 6 | 016-0400-00 | Stirrup Index Spring (Apply Lubricant #S006-0719) | 2 |
| 2 | •020-0239-30 | •Painted Stirrup | 1 | 7 | 050-1785-02 | Stirrup Guide Bracket | 2 |
| 3 | •042-0001-01 | •Roll Pin | 1 | 8 | 053-0387-00 | Pivot Boss | 2 |
| 4 | •051-1003-01 | •Horizontal Bar | 1 | 9 | 030-1093-40 | Stirrup Channel Weldment | 1 |
| 5 | •040-0250-15 | •Screw | 1 | 10 | 040-0250-03 | Screw | 4 |

Always Specify Model & Serial Number

COMMENTS

The Technical Publications Department of Midmark Corporation takes pride in its publications. We are sure that our manuals will fill all of your needs when you are performing scheduled maintenance, servicing, or repairs on a Midmark product.

However, if you find any errors or feel that there should be a change, addition, or deletion to a manual, please let us know!

Page(s) and Paragraph(s) Needing Changed:

Description of Error or Desired Change:

Please fax or mail a copy of this completed comment sheet to:

Midmark Corporation
ATTN: Technical Publications Department
60 Vista Drive
Versailles, Ohio 45380
Fax: (937) 526-5542

FAX ORDERING FORM

(SERVICE PARTS ONLY)

NOTES:

- ALL **BLOCKED** AREAS MUST BE COMPLETED.
- USE FOR NON-WARRANTY FAX ORDERS ONLY. WARRANTY ORDERS MUST BE TELEPHONED IN (1-800-MIDMARK).

| ATTENTION: SERVICE DEPARTMENT FAX#: 877-249-1793 | | | | |
|---|--------|---|-----------------------|-------------|
| ACCT #: _____ | | P.O. #: _____ | | DATE: _____ |
| NAME: _____ | | SHIP TO: _____ | | |
| ADDRESS: _____ | | _____ | | |
| CITY, ST.: _____ | | _____ | | |
| CONTACT: _____ | | _____ | | |
| PHONE: _____ | | _____ | | |
| <input type="checkbox"/> NON-EMERGENCY ORDER - TO SHIP WITHIN 72 HOURS IF PART(S) IN STOCK. | | METHOD OF SHIPMENT <u>OTHER</u> | | |
| <input type="checkbox"/> EMERGENCY ORDER - TO SHIP WITHIN 24 HOURS IF PART(S) IN STOCK (IF ORDER IS RECEIVED BEFORE 1:00 P.M. E.S.T). | | UPS FED EX | | |
| SEND NOTIFICATION IF PARTS ARE NOT AVAILABLE TO SHIP WITHIN 24 HOURS VIA E-MAIL OR FAX TO: _____ | | <input type="checkbox"/> NEXT DAY A.M. <input type="checkbox"/> NEXT DAY A.M. | | |
| | | <input type="checkbox"/> NEXT DAY P.M. <input type="checkbox"/> NEXT DAY P.M. | | |
| | | <input type="checkbox"/> 2ND DAY <input type="checkbox"/> 2ND DAY | | |
| | | <input type="checkbox"/> GROUND <input type="checkbox"/> ECONOMY | | |
| QTY. | PART # | DESCRIPTION (SPECIFY COLOR OF ITEM IF APPLICABLE) | COLOR CODE | PRICE/PER |
| | | | | |
| | | | | |
| | | | | |
| | | | | |
| | | | | |
| | | | | |
| | | | | |
| | | | | |
| | | | | |
| | | | | |
| | | | | |
| | | | | |
| | | | | |
| | | | | |
| | | | | |
| | | | | |
| | | | | |
| | | | | |
| | | | | |
| | | | | |
| | | | TOTAL COST: \$ | |

Midmark Corporation
60 Vista Drive
P.O. Box 286
Versailles, Ohio 45380-0286
937-526-3662
Fax 937-526-5542
midmark.com



Because we care.

Subject to change without notice.
Refer to www.Documark.com for latest revision.