

100/104

-001
thru
-040

Ritter®

by MIDMARK

Examination Table

Serial Number Prefix:
AE, BS, CD, DD, EB, FC,
GP, GR, KC, KD, KE, KF
& V

Service and Parts Manual

**NO LONGER IN
PRODUCTION**
Some service parts may not
be available for this product!



100 -001
thru
-040

FOR USE BY MIDMARK
TRAINED TECHNICIANS ONLY

TABLE OF CONTENTS

Section/Paragraph	Page	Section/Paragraph	Page
IMPORTANT INSTRUCTIONS		SECTION VI PARTS LIST	
General Safety Instructions.....	ii	6.1 Introduction	6-1
Safety Alert Symbols	ii	6.2 Description of Columns	6-1
Warranty Instructions	ii	Pictorial Index (100-001/004)	6-2
SECTION I GENERAL INFORMATION		Pictorial Index (100-005/008)	6-2.1
1.1 Scope of Manual	1-1	Pictorial Index (100-009/012)	6-2.2
1.2 Description of Model 100/104 Tables	1-1	Pictorial Index (100-013/014)	6-2.3
1.3 Standard Torque Specifications	1-1	Pictorial Index (100-015/018)	6-2.4
1.4 Table Specifications	1-1	Pictorial Index (100-019/022)	6-2.5
1.5 Parts Replacement Ordering	1-2	Pictorial Index (100-023/024)	6-2.6
1.6 Special Tools	1-2	Pictorial Index (100-025/026)	6-2.7
SECTION II TESTING AND TROUBLESHOOTING		Pictorial Index (100-027/028)	6-2.8
Not Available		Pictorial Index (100-029/030)	6-2.9
SECTION III SCHEDULED MAINTENANCE		Pictorial Index (100-031/032)	6-2.10
Not Available		Pictorial Index (100-033/034)	6-2.11
SECTION IV MAINTENANCE/SERVICE		Pictorial Index (100-035/036)	6-2.12
INSTRUCTIONS		Pictorial Index (100-037/038)	6-2.13
Not Available		Pictorial Index (100-039/040)	6-2.14
SECTION V SCHEMATICS AND DIAGRAMS		Table Top Components (Standard)	6-3.*
5.1 Electrical Schematics / Wiring Diagrams	5-1	Table Top Components (Soft Touch)	6-4.*
		Upper Wrap Components	6-5.*
		Pelvic Tilt Assembly	6-6
		Stirrup Assembly	6-7.*
		Cabinet Components	6-8.*
		Drawer Assembly	6-9.*
		Step Assembly	6-10.*
		Electrical Components	6-11.*
		COMMENTS	7-1
		FAX ORDERING FORM	7-2

(*) Indicates that there has been a serial number break for the illustration and that there are additional point page(s) following the original page.

IMPORTANT INSTRUCTIONS

General Safety Instructions

Safety First: The primary concern of Midmark Corporation is that this table is maintained with the safety of the patient and staff in mind. To assure that services and repairs are completed safely and correctly, proceed as follows:

- (1) Read this entire manual before performing any services or repairs on this table.
- (2) Be sure you understand the instructions contained in this manual before attempting to service or repair this table.

Safety Alert Symbols

Throughout this manual are safety alert symbols that call attention to particular procedures. These items are used as follows:



DANGER

A **DANGER** is used for an imminently hazardous operating procedure, practice, or condition which, if not correctly followed, will result in loss of life or serious personal injury.



WARNING

A **WARNING** is used for a potentially hazardous operating procedure, practice, or condition which, if not correctly followed, could result in loss of life or serious personal injury.



CAUTION

A **CAUTION** is used for a potentially hazardous operating procedure, practice, or condition which, if not correctly followed, could result in minor or moderate injury. It may also be used to alert against unsafe practices.



EQUIPMENT ALERT

An **EQUIPMENT ALERT** is used for an imminently or potentially hazardous operating procedure, practice, or condition which, if not correctly followed, will or could result in serious, moderate, or minor damage to unit.

NOTE

A **NOTE** is used to amplify an operating procedure, practice or condition.

Warranty Instructions

Refer to the Midmark "Limited Warranty" printed in the Installation and Operation Manual for warranty information. Failure to follow the guidelines listed below will void the warranty and/or render the 100 Examination Table unsafe for operation.

- In the event of a malfunction, do not attempt to operate the table until necessary repairs have been made.
- Do not attempt to disassemble table, replace malfunctioning or damaged components, or perform adjustments unless you are one of Midmark's authorized service technicians.
- Do not substitute parts of another manufacturer when replacing inoperative or damaged components. Use only Midmark replacement parts.

**SECTION I
GENERAL INFORMATION**

1.1 Scope of Manual

This manual contains detailed troubleshooting, scheduled maintenance, and service instructions for Model 100/104 Medical Examination Table. This manual is intended to be used by Midmark's authorized service technicians.

1.2 Description Of Model 100/104 Medical Examination Table.

The Model 100/104 Series Medical Examination Table is primarily used in examination rooms for general examinations and minor procedures. The table top is adjustable from a full horizontal position to a chair position. Also, when supported with an optional pelvic lift bar, the lithotomy position can be achieved. There are five storage drawers which accommodate supplies used during examinations.

The major serviceable components of the table are the drawer heater plate (optional), heater on/off switch (optional), electrical receptacle, back lock assembly, lift assembly, step assembly, and two stirrup assemblies.

Electrical Power:

115 VAC line voltage is supplied thru the power cord to electrical receptacles located on the side of the table. As long as the power cord is plug into a supply outlet 115 VAC power will be present at the receptacles.

Optional Heater Plate:

Some units are equipped with the optional heater plate for drawer warming. When the operator turns the (N.O.) Heater On/Off Switch to ON, closing the circuit, power is supplied to the 60 watt heater plate, heating the unit. This provides heat in the top, foot end drawer to warm instruments.

1.3 Standard Torque Specifications

The following standard torque specifications in Table 1-1 apply to the various hardware used on the units unless otherwise listed elsewhere in service procedures or parts illustrations:

Table 1-1. Torque Specifications
Hardware Size Torque Values

#6	11 to 21 inch / lbs. (1.2 to 2.3 N•M)
#8	20 to 30 inch / lbs. (2.2 to 3.3 N•M)
#10.....	32 to 42 inch / lbs. (3.6 to 4.8 N•M)
1/4"	75 to 85 inch / lbs. (8.5 to 9.6 N•M)
5/16"	18 to 22 foot / lbs. (24.4 to 29.8 N•M)
3/8"	31 to 35 foot / lbs. (42.0 to 47.5 N•M)
1/2"	50 to 60 foot / lbs. (67.8 to 81.4 N•M)

1.4 Table Specifications

Description	Data
--------------------	-------------

Weight:

Weight of Table (without packaging) 250 lbs

Capacity:

Weight Capacity (Maximum) 325 lbs

Dimensions :

Height 31.75 in.

Base 17.5" W. x 42.75" L. x 4.12 T.

Step 10.5" D. x 17.75" W. x 10.25 T.

Paper Roll 3.5" Dia. x 21"

Table Top Length (footrest extended) 72.5 in.

Table Top Width 27 in.

Overall Width 27 in.

Seat Height (to top of upholstered seat at foot end) 31.75 in.

Table Adjustment:

Back Section 0 to 70° (± 5°)
(manually adjusted, spring assisted)

Back Lock Slippage Rating 200 lbs
(applied at head end of table)

Stirrup 4 position (L.H. & R.H.)
infinite extension ajustability

Electrical Rating:

Electrical Receptacle) Duplex Hospital Grade
Power Consumption: 115 VAC Unit
(126 VAC maximum-110 VAC minimum), 60 HZ, 6 amps (max. without heater) or 6.5 amps (max. with heater) 60 watt heater rating.

Recommended Circuit:

A separate (dedicated) circuit is recommended for this table table. The table *should not* be connected to an electrical circuit with other appliances or equipment unless the circuit is rated for the additional load.

SECTION I GENERAL INFORMATION

1.5 Parts Replacement Ordering

If a part replacement is required, order the part directly from the factory as follows:

NOTE

It is **important** that the **entire** Model **and** Serial Number be presented when ordering parts, scheduling a service call or seeking technical advice.

- (1) Location the serial number label on the rear of the back section and determine the model number and serial number of the table and record this data.
- (2) Refer to the Parts List to determine the item numbers of the parts, part numbers of the parts, descriptions of the parts, and quantities of parts needed and record this data (Refer to para 6.1).

NOTE

Ask the Purchasing Department of the company that owns the table for this information. Otherwise, this information may be obtained from the dealer that sold the table.

- (3) Determine the installation date of the table and record this data.
- (4) Call Midmark with the recorded information and ask for the Medical Products Technical Services Department. See back cover of this manual for the phone number or use the Fax Order Form (See page 7-2 for Fax Order Form).

1.6 Special Tools

Table 1-2 lists all of the special tools needed to repair the table, how to obtain the special tools, and the purpose of each special tool.

Table 1-2. Special Tool List

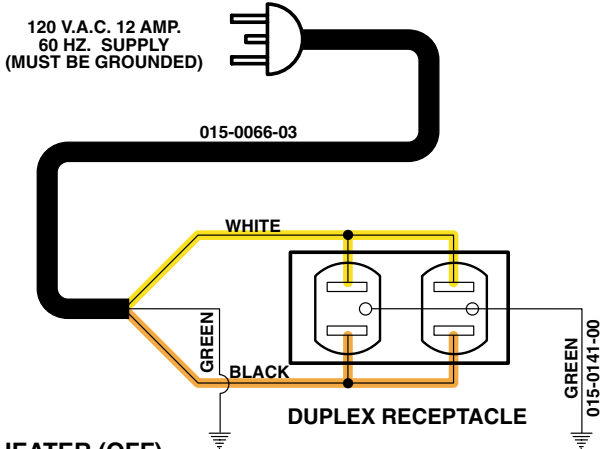
Description of Special Tool	Manufacturer's Name / Address / Phone	Manufacturer's Part Number	Purpose of Special Tool
Multimeter	Commercially Available	Any Type	Used to perform continuity and voltage checks.
Pop Rivet Gun	Commercially Available	For installation of 1/8 in. pop rivets.	For installation of drawer slides and mullions.
Torque Wrench	Commercially Available	Any Type	Used to tighten nuts or screws to specified values.

**SECTION V
SCHEMATICS AND DIAGRAMS**

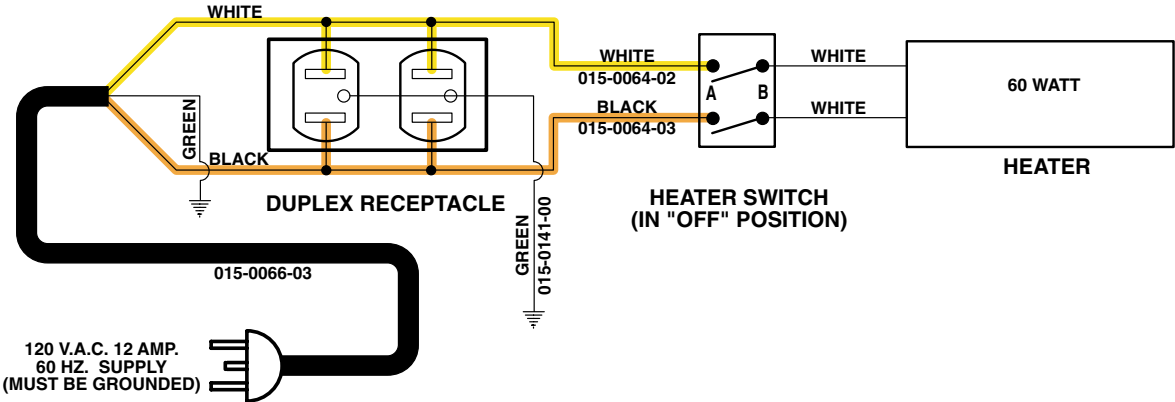
5.1 Electrical Schematics / Wiring Diagrams

Figure 5-1 and 5-2 illustrate the current flow and wiring connections between the electrical components in the 115 VAC table.

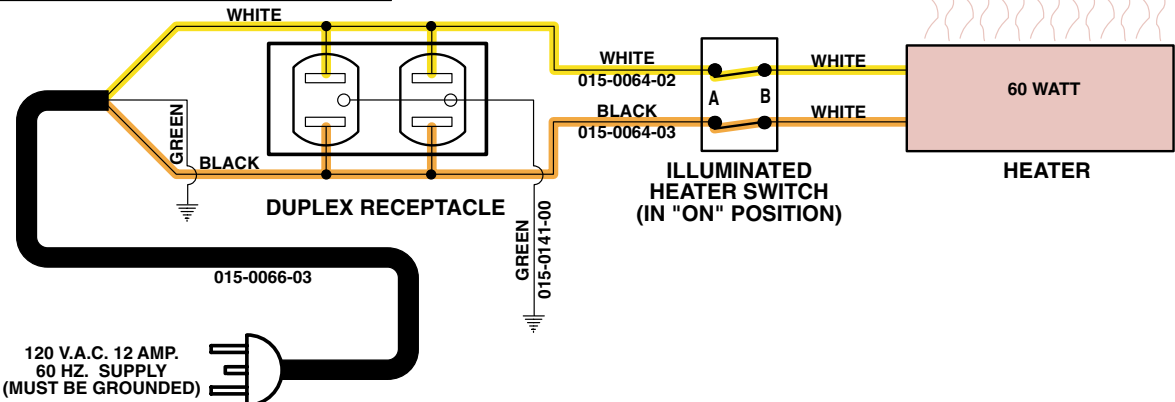
UNIT WITHOUT HEATER



UNIT WITH OPTIONAL HEATER (OFF)



UNIT WITH OPTIONAL HEATER (ON)



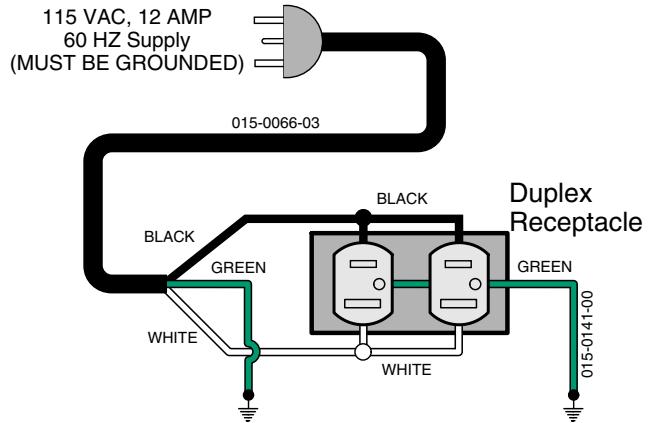
MA492500

**Figure 5-1. 115 VAC Units Electrical Schematic / Wiring Diagram
(Used on units with Serial Numbers AE1000 thru present, BS1000 thru BS8279 and CD1000 thru CD1827)**

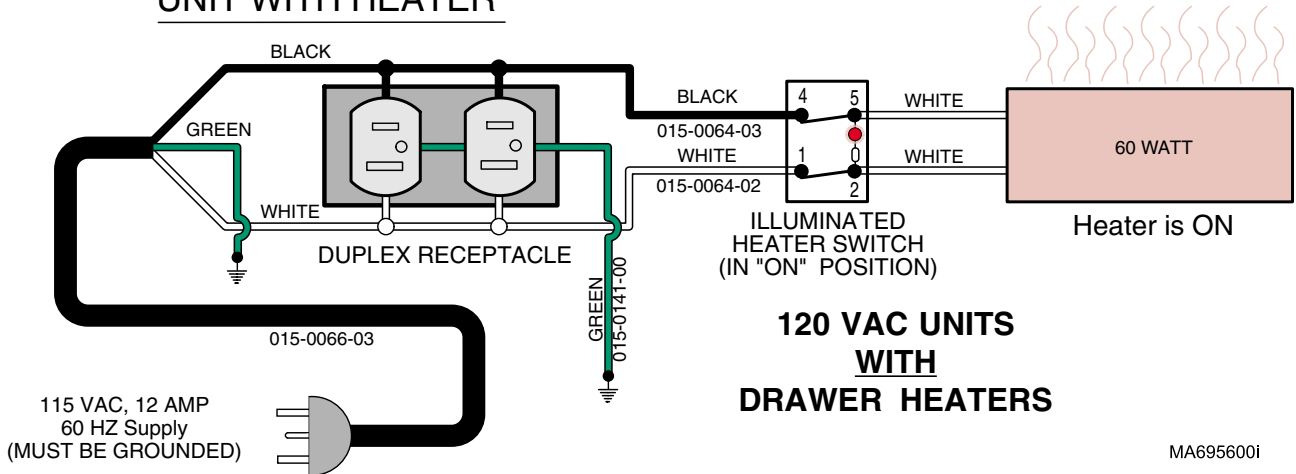
SECTION V SCHEMATICS AND DIAGRAMS

120 VAC UNITS WITHOUT DRAWER HEATERS

UNIT WITHOUT HEATER



UNIT WITH HEATER



120 VAC UNITS WITH DRAWER HEATERS

MA695600i

**Figure 5-2. 115 VAC Units Electrical Schematic / Wiring Diagram
(Used on units with Serial Numbers BS8279, CD1827, EB1000, FC1000, GP1000, GR1000, KC1000, KD1000,
KE1000, KF1000 and V2200 thru present)**

SECTION VI PARTS LIST

6.1 Introduction

The illustrated parts list provides information for identifying and ordering the parts necessary to maintain the unit in peak operating condition. Refer to paragraph 1.5 for parts ordering information.

The parts list also illustrates disassembly and assembly relationships of parts.

6.2 Description of Columns

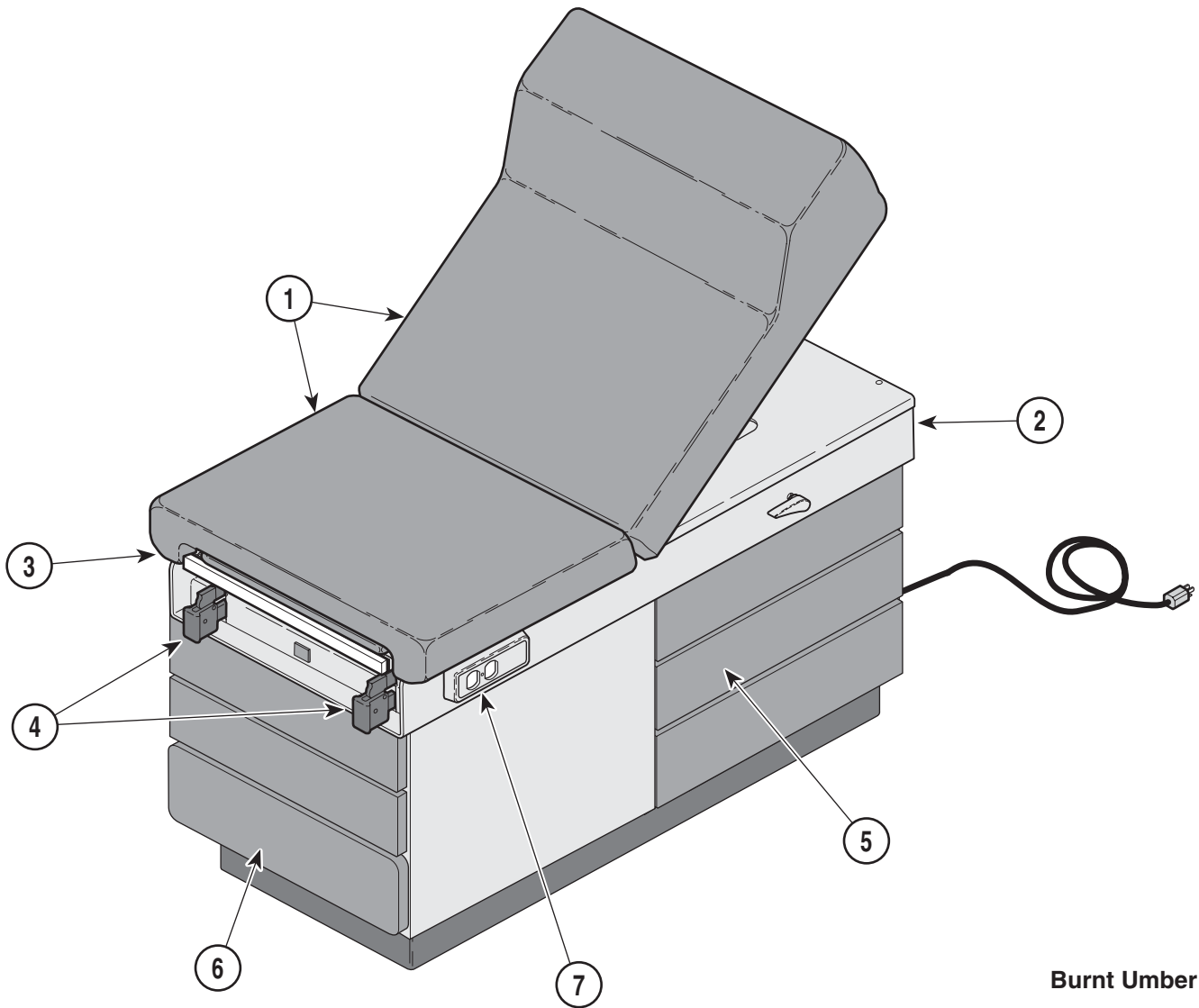
The *Item* column of the parts list gives a component its own unique number. The same number is given to the component in the parts illustration. This allows a part number of a component to be found if the technician can visually spot the part on the illustration. The technician simply finds the component in question on the illustration and notes the item number of that component. Then, he finds that item number in the parts list. The row corresponding to the item number gives the technician the part number, a description of the component, and quantity of parts per subassembly. Also, if a part number is known, the location of that component can be determined by looking for the item number of the component on the illustration.

The *Part No.* column lists the MIDMARK part number for that component.

The *Description* column provides a physical description of the component.

The *Qty.* column lists the number of units of a particular component that is required for the subassembly. The letters "AR" denote "as required" when quantities of a particular component cannot be determined, such as: adhesive.

Bullets { • } in the *Part No.* column and the *Description* column show the indenture level of a component. If a component does not have a bullet, it is a main component of that illustration. If a component has a bullet, it is a subcomponent of the next component listed higher in the parts list than itself that does not have a bullet. Likewise, if a component has two bullets, it is a subcomponent of the next component listed higher in the parts list than itself that has only one bullet.



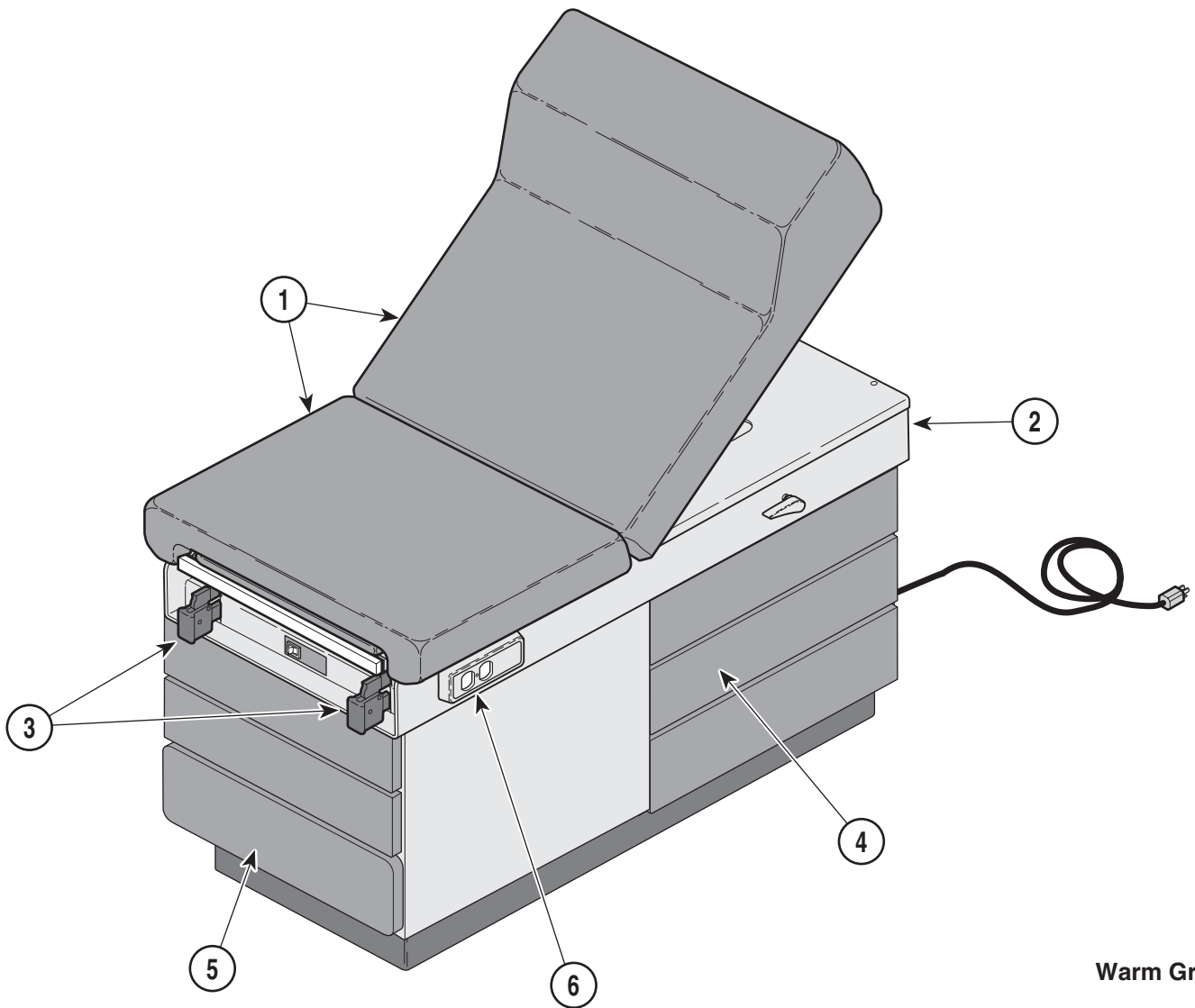
Burnt Umber

MA354701

Units with Serial Number AE1000

Item	Part No.	Description	Page	Item	Part No.	Description	Page
	100-001	100 Exam Table - R.H. {Burnt Umber} (Serial Number Prefix "AE")	6-2	5	•	• Cabinet Components	6-8
	100-002	100 Exam Table - L.H. {Burnt Umber} (Serial Number Prefix "AE" [Shown])	6-2	••	••	•• Drawer Assembly	6-9
	100-003	100 Exam Table - R.H. w/ Pelvic Lift {Burnt Umber} (Serial Number Prefix "AE")	6-2	6	•	• Step Assembly	6-10.*
	100-004	100 Exam Table - L.H. w/ Pelvic Lift {Burnt Umber} (Serial Number Prefix "AE")	6-2	7	•	• Electrical Components	6-11
1	•	• Table Top Comp. (Standard)	6-3	OPTIONAL ACCESSORIES			
•	•	• Table Top Comp. (Soft Touch)	6-4	Refer to MEDICAL ACCESSORY BOOK {004-0096-00}			
2	•	• Upper Wrap Components	6-5.*	8	9A01006	Knee Crutch Set	9A01
3	••	•• Pelvic Lift Assembly	6-6	9	9A0200*	Armboard Assembly	9A02
4	••	•• Stirrup Components	6-7	10	9A04001	Procto Rest	9A04
				11	9A104001	Urology Drain Pan	9A104
				12	9A180002	Welch Allyn Bracket	9A180

Always Specify Model & Serial Number



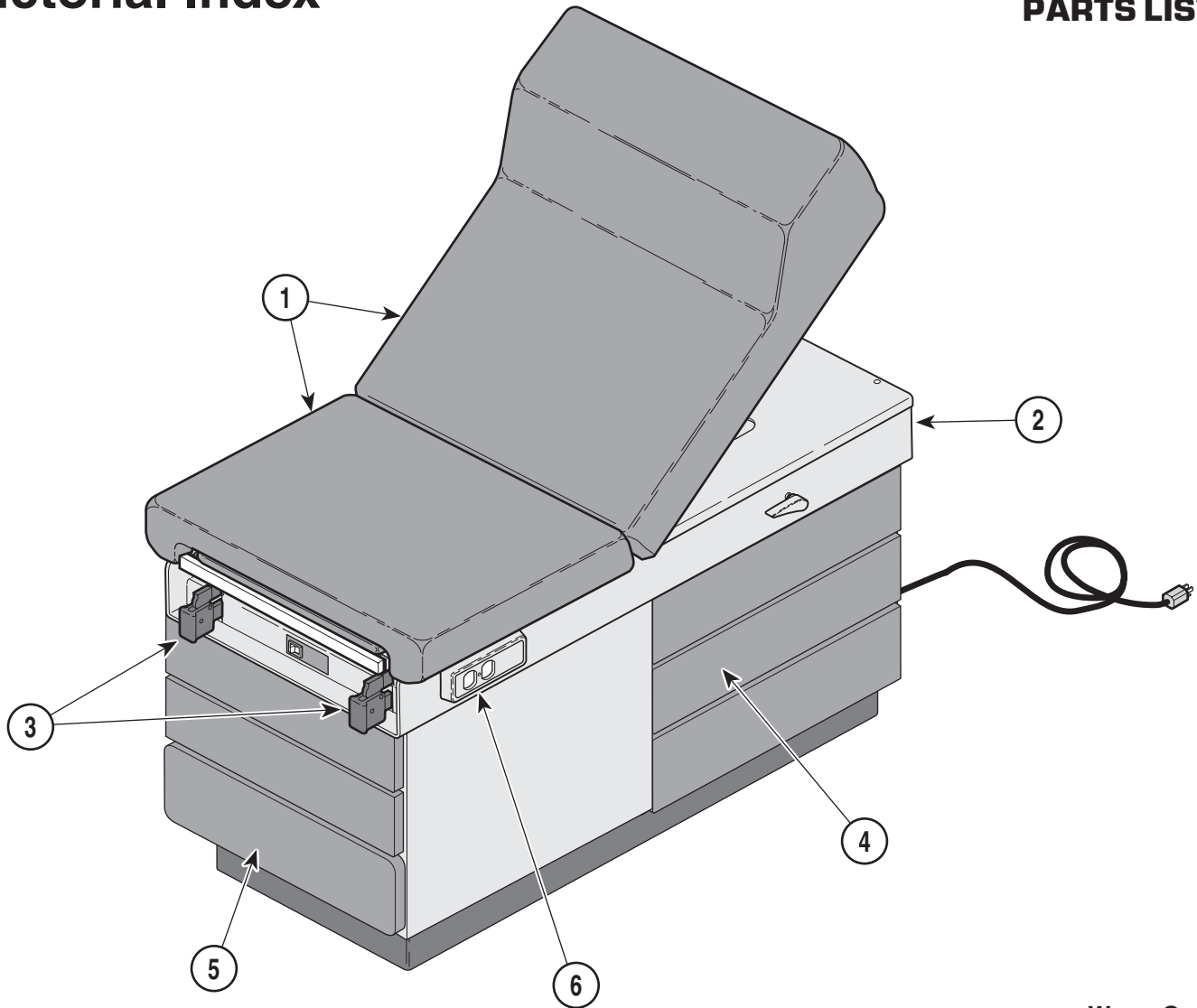
Warm Grey

MA354800

Units with Serial Number BS1000

Item	Part No.	Description	Page	Item	Part No.	Description	Page
	100-005	100 Exam Table - R.H. {Warm Grey} (Serial Number Prefix "BS")	6-2.1			OPTIONAL ACCESSORIES	
	100-006	100 Exam Table - L.H. {Warm Grey} (Serial Number Prefix "BS" [Shown])	6-2.1			Refer to MEDICAL ACCESSORY BOOK {004-0096-00}	
	100-007	100 Exam Table - R.H. w/ Soft Touch Top {Warm Grey} (Serial Number Prefix "BS")	62.1	7	9A01006	Knee Crutch Set (BS1000 thru BS8278)	9A01
	100-008	100 Exam Table - L.H. w/ Soft Touch Top {Warm Grey} (Serial Number Prefix "BS")	6-2.1	8	9A02003	Armboard Assembly	9A02
1	•	• Table Top Comp. (Standard)	6-3.*	9	9A04001	Procto Rest	9A04
	•	• Table Top Comp. (Soft Touch)	6-4.1	10	9A70000	Stainless Steel Treatment Pan	6-27.*
2	•	• Upper Wrap Components	6-5.*	11	9A104001	Urology Drain Pan	9A104
3	••	•• Stirrup Components	6-7.*	12	9A105004	Pelvic Lift Assembly	9A105
4	•	• Cabinet Components	6-8.*	13	9A10800X	Drawer Heater Assembly	9A108
	••	•• Drawer Assembly	6-9.*	14	9A180002	Welch Allyn Bracket	9A180
5	•	• Step Assembly	6-10.*	15	9A206002	Knee Crutch Set (BS8279 thru Present)	9A206
6	•	• Electrical Components	6-11.1	16	9A210002	Side Rails	9A210

Always Specify Model & Serial Number



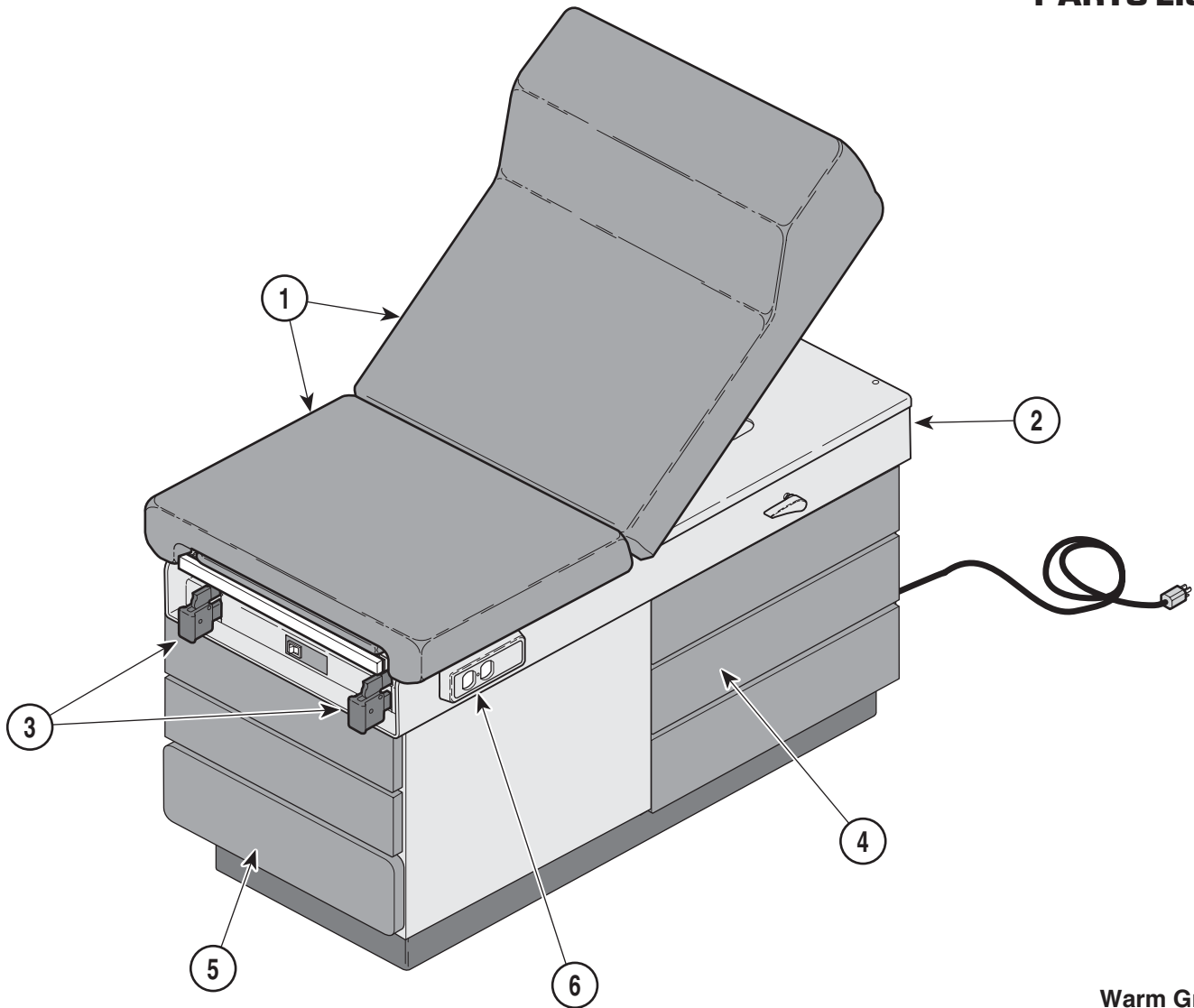
Warm Grey

MA354800

Units with Serial Number CD1000

Item	Part No.	Description	Page	Item	Part No.	Description	Page
	100-009	100 Exam Table - R.H. w / Heater {Warm Grey} (Serial Number Prefix "CD") .	6-2.2				
	100-010	100 Exam Table - L.H. w / Heater {Warm Grey} (Serial Number Prefix "CD" [Shown])	6-2.2				
	100-011	100 Exam Table - R.H. w/ Soft Touch Top and Heater {Warm Grey} (Serial Number Prefix "CD")	6-2.2				
	100-012	100 Exam Table - L.H. w/ Soft Touch Top and Heater {Warm Grey} (Serial Number Prefix "CD")	6-2.2				
1	•	• Table Top Comp. (Standard)	6-3.*				
	•	• Table Top Comp. (Soft Touch)	6-4.1				
2	•	• Upper Wrap Components	6-5.*				
3	••	•• Stirrup Components	6-7.*				
4	•	• Cabinet Components	6-8.*				
	••	•• Drawer Assembly	6-9.*				
5	•	• Step Assembly	6-10.*				
6	•	• Electrical Components	6-11.1				
						OPTIONAL ACCESSORIES	
						Refer to MEDICAL ACCESSORY BOOK {004-0096-00}	
				7	9A01006	Knee Crutch Set (CD1000 thru CD1826)	9A01
				8	9A02003	Armboard Assembly	9A02
				9	9A04001	Procto Rest	9A04
				10	9A70000	Stainless Steel Treatment Pan	6-27.*
				11	9A104001	Urology Drain Pan	9A104
				12	9A105004	Pelvic Lift Assembly	9A105
				13	9A10800X	Drawer Heater Assembly	9A108
				14	9A180002	Welch Allyn Bracket	9A180
				15	9A206002	Knee Crutch Set (CD1827 thru Present)	9A206
				16	9A210002	Side Rails	9A210

Always Specify Model & Serial Number



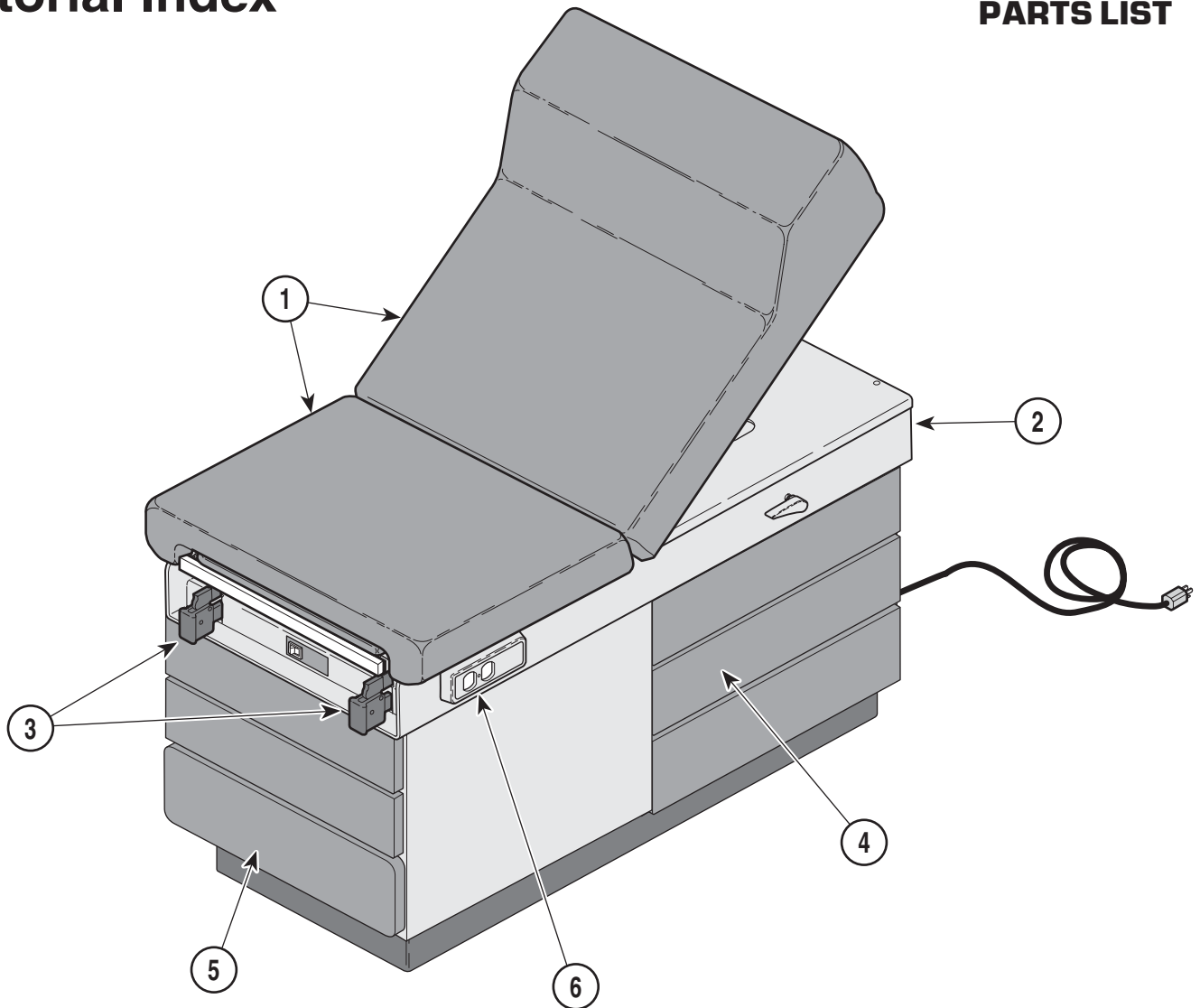
Warm Grey

MA354800

Units with Serial Number DD1000

Item	Part No.	Description	Page	Item	Part No.	Description	Page
	100-013	100 Exam Table - R.H. - 220 V. Export Unit {Warm Grey} (Serial Number Prefix "DD")	6-5			OPTIONAL ACCESSORIES	
	100-014	100 Exam Table - L.H. - 220 V. Export Unit w/ {Warm Grey} (Serial Number Prefix "DD")	6-5			Refer to MEDICAL ACCESSORY BOOK {004-0096-00}	
1	•	• Table Top Comp. (Standard)	6-17	7	9A01006	Knee Crutch Set (DD1000 thru DD1005)	9A01
2	•	• Upper Wrap Components	6-27.*	8	9A02003	Armboard Assembly	9A02
3	••	•• Stirrup Components	6-29.*	9	9A04001	Procto Rest	9A04
4	•	• Cabinet Components	6-31.*	10	9A70000	Stainless Steel Treatment Pan	6-27.*
	••	•• Drawer Assembly	6-35.*	11	9A104001	Urology Drain Pan	9A104
5	•	• Step Assembly	6-37.*	12	9A105004	Pelvic Lift Assembly	9A105
6	•	• Electrical Components	6-39	13	9A10800X	Drawer Heater Assembly	9A108
				14	9A180002	Welch Allyn Bracket	9A180
				15	9A206002	Knee Crutch Set (DD1006 thru Present)	9A206
				16	9A210002	Side Rails	9A210

Always Specify Model & Serial Number



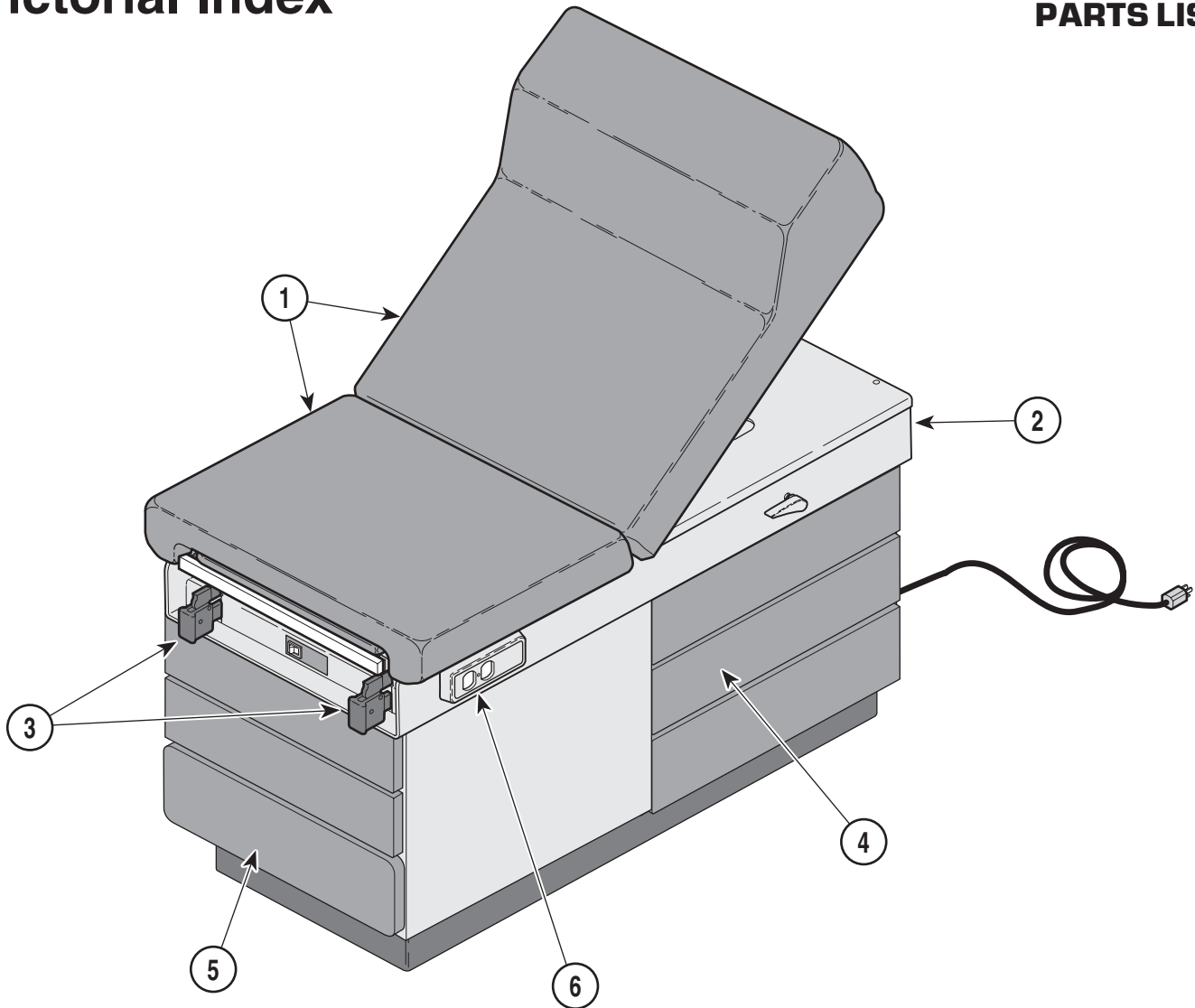
Burnt Umber

MA354800

Units with Serial Number BS1000

Item	Part No.	Description	Page	Item	Part No.	Description	Page
	100-015	100 Exam Table - R.H. {Burnt Umber} (Serial Number Prefix "BS")	6-2.4			OPTIONAL ACCESSORIES	
	100-016	100 Exam Table - L.H. {Burnt Umber} (Serial Number Prefix "BS" [Shown])	6-2.4			Refer to MEDICAL ACCESSORY BOOK {004-0096-00}	
	100-017	100 Exam Table - R.H. w/ Soft Touch Top {Burnt Umber} (Serial Number Prefix "BS")	6-2.4	7	9A01006	Knee Crutch Set (BS1000 thru BS8278)	9A01
	100-018	100 Exam Table - L.H. w/ Soft Touch Top {Burnt Umber} (Serial Number Prefix "BS")	6-2.4	8	9A02003	Armboard Assembly	9A2
1	•	• Table Top Comp. (Standard)	6-3.*	9	9A04001	Procto Rest	9A04
	•	• Table Top Comp. (Soft Touch)	6-4.1	10	9A70000	Stainless Steel Treatment Pan	6-27.*
2	•	• Upper Wrap Components	6-5.*	11	9A104001	Urology Drain Pan	9A104
3	••	•• Stirrup Components	6-7.*	12	9A105004	Pelvic Lift Assembly	9A105
4	•	• Cabinet Components	6-8.*	13	9A10800X	Drawer Heater Assembly	9A108
	••	•• Drawer Assembly	6-9.*	14	9A180002	Welch Allyn Bracket	9A180
5	•	• Step Assembly	6-10.*	15	9A206002	Knee Crutch Set (BS8279 thru Present)	9A206
6	•	• Electrical Components	6-11.1	16	9A210002	Side Rails	9A210

Always Specify Model & Serial Number



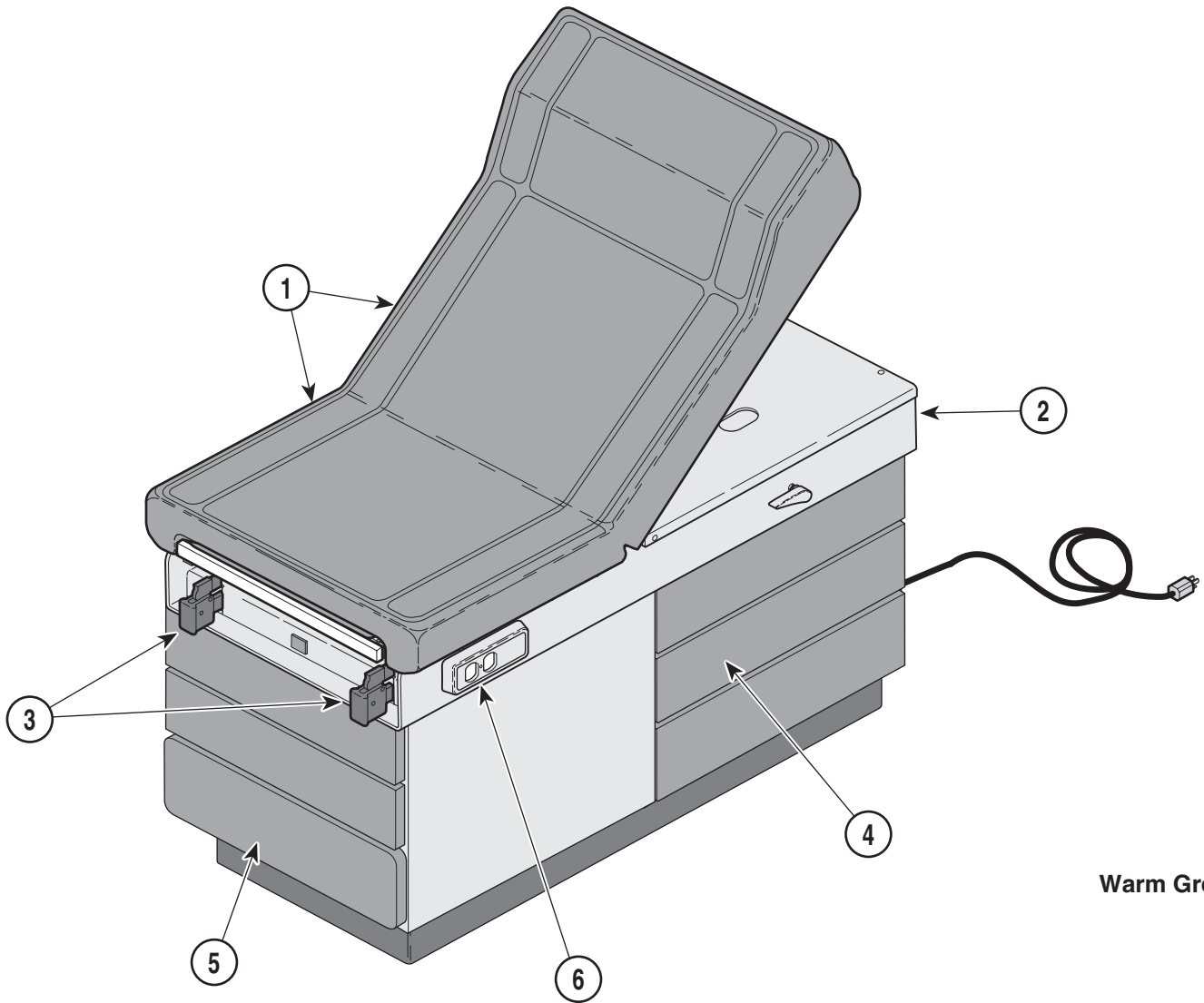
Burnt Umber

MA354800

Units with Serial Number CD1000

Item	Part No.	Description	Page	Item	Part No.	Description	Page
	100-019	100 Exam Table - R.H. w/ Heater {Burnt Umber} (Serial Number Prefix "CD")	6-2.5			OPTIONAL ACCESSORIES	
	100-020	100 Exam Table - L.H. w/ Heater {Burnt Umber} (Serial Number Prefix "CD" [Shown])	6-2.5			Refer to MEDICAL ACCESSORY BOOK {004-0096-00}	
	100-021	100 Exam Table - R.H. w/ Soft Touch Top and Heater {Burnt Umber} Serial Number Prefix "CD")	6-2.5	7	9A01006	Knee Crutch Set (CD1000 thru CD1826)	9A01
	100-022	100 Exam Table - L.H. w/ Soft Touch Top and Heater {Burnt Umber} Serial Number Prefix "CD")	6-2.5	8	9A02003	Armboard Assembly	9A02
1	•	• Table Top Comp. (Standard)	6-3.*	9	9A04001	Procto Rest	9A04
2	•	• Table Top Comp. (Soft Touch)	6-4.1	10	9A70000	Stainless Steel Treatment Pan	6-27.*
3	••	• Upper Wrap Components	6-5.*	11	9A104001	Urology Drain Pan	9A104
4	•	•• Stirrup Components	6-7.*	12	9A105004	Pelvic Lift Assembly	9A105
5	•	• Cabinet Components	6-8.*	13	9A10800X	Drawer Heater Assembly	9A108
6	•	•• Drawer Assembly	6-9.*	14	9A180002	Welch Allyn Bracket	9A180
		• Step Assembly	6-10.*	15	9A206002	Knee Crutch Set (CD1827 thru Present)	9A206
		• Electrical Components	6-11.1	16	9A210002	Side Rails	9A210

Always Specify Model & Serial Number



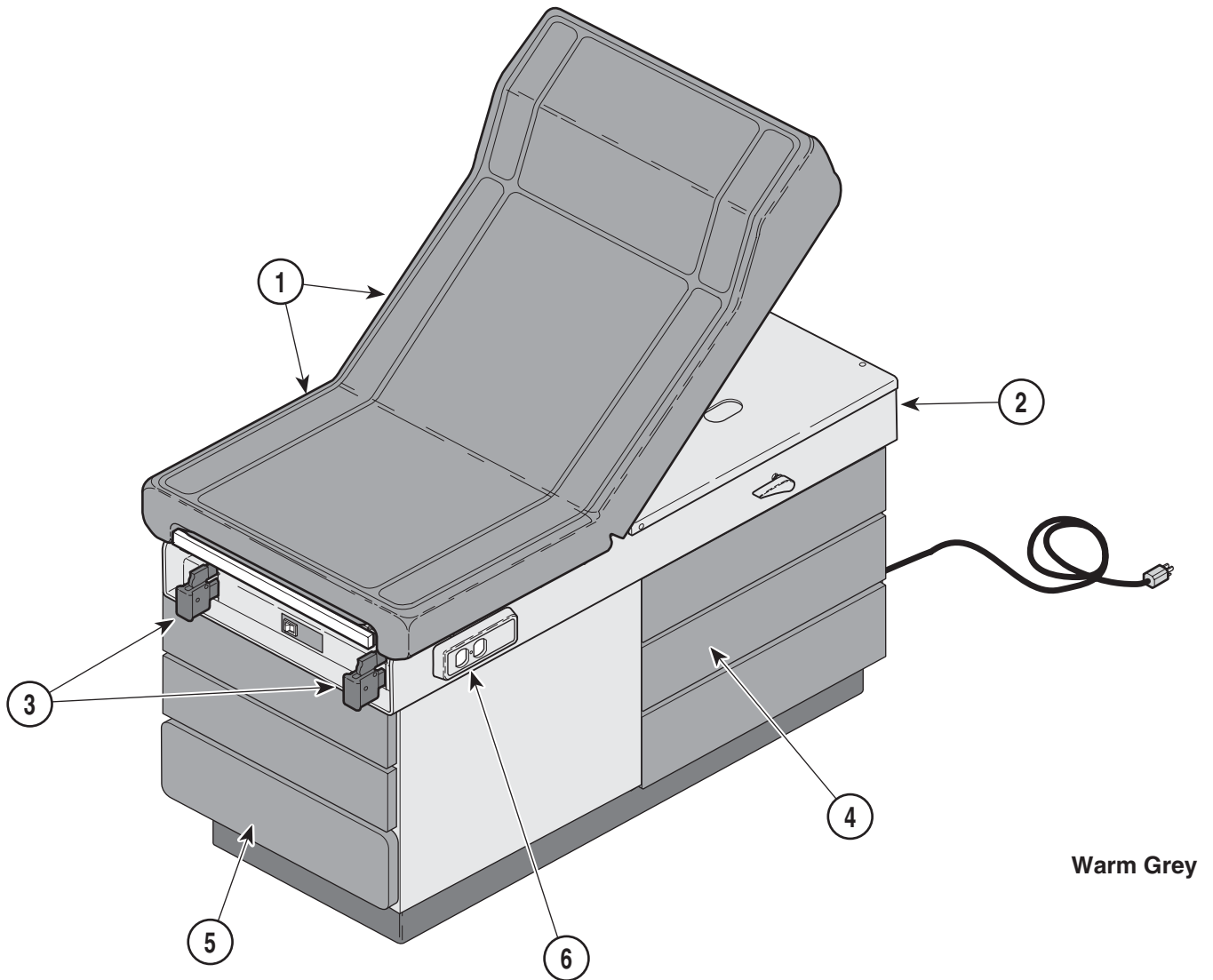
Warm Grey

MA354702

Units with Serial Number CD1000

Item	Part No.	Description	Page	Item	Part No.	Description	Page
	100-023	104 1992 Promotional Exam Table - R.H. w/ Soft Touch Top, Heater and Pelvic Lift {Warm Grey} (Serial Number Prefix "CD")	6-2.6			OPTIONAL ACCESSORIES	
	100-024	104 1992 Promotional Exam Table - L.H. w/ Soft Touch Top, Heater and Pelvic Lift {Warm Grey} (Serial Number Prefix "CD" [Shown])	6-2.6			Refer to MEDICAL ACCESSORY BOOK {004-0096-00}	
1	•	• Table Top Comp. (Soft Touch)	6-3.*	7	9A01006	Knee Crutch Set (CD1000 thru CD1826)	9A01
2	•	• Upper Wrap Components	6-5.*	8	9A02003	Armboard Assembly	9A02
3	••	•• Stirrup Components	6-7.*	9	9A04001	Procto Rest	9A04
4	•	• Cabinet Components	6-8.*	10	9A70000	Stainless Steel Treatment Pan	6-27.*
	••	•• Drawer Assembly	6-9.*	11	9A104001	Urology Drain Pan	9A104
5	•	• Step Assembly	6-10.*	12	9A105004	Pelvic Lift Assembly	9A105
6	•	• Electrical Components	6-11.1	13	9A10800X	Drawer Heater Assembly	9A108
				14	9A180002	Welch Allyn Bracket	9A180
				15	9A206002	Knee Crutch Set (CD1827 thru Present)	9A206
				16	9A210002	Side Rails	9A210

Always Specify Model & Serial Number



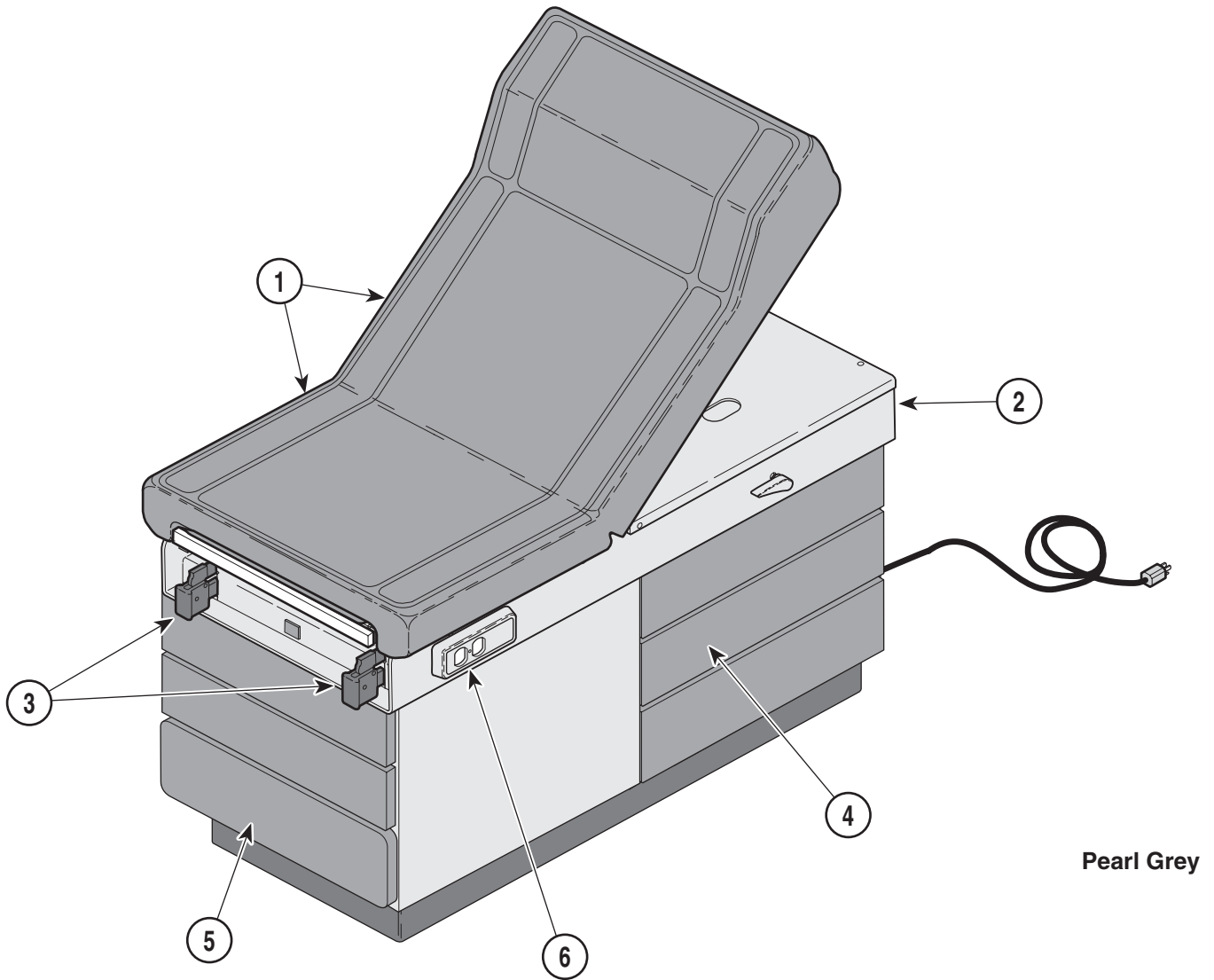
Warm Grey

MA354801

Units with Serial Number BS1000

Item	Part No.	Description	Page	Item	Part No.	Description	Page
	100-025	104 1992 Promotional Exam Table - R.H. w/ Soft Touch Top {Warm Grey} (Serial Number Prefix "BS")	6-2.7			OPTIONAL ACCESSORIES	
	100-026	104 1992 Promotional Exam Table - L.H. w/ Soft Touch Top {Warm Grey} (Serial Number Prefix "BS" [Shown])	6-2.7			Refer to MEDICAL ACCESSORY BOOK {004-0096-00}	
1	•	• Table Top Comp. (Soft Touch)	6-3.*	7	9A01006	Knee Crutch Set (BS1000 thru BS8278)	9A01
2	•	• Upper Wrap Components	6-5.*	8	9A02003	Armboard Assembly	9A02
3	••	•• Stirrup Components	6-7.*	9	9A04001	Procto Rest	9A04
4	•	• Cabinet Components	6-8.*	10	9A70000	Stainless Steel Treatment Pan	6-27.*
	••	•• Drawer Assembly	6-9.*	11	9A104001	Urology Drain Pan	9A104
5	•	• Step Assembly	6-10.*	12	9A105004	Pelvic Lift Assembly	9A105
6	•	• Electrical Components	6-11.1	13	9A10800X	Drawer Heater Assembly	9A108
				14	9A180002	Welch Allyn Bracket	9A180
				15	9A206002	Knee Crutch Set (BS8279 thru Present)	9A206
				16	9A210002	Side Rails	9A210

Always Specify Model & Serial Number



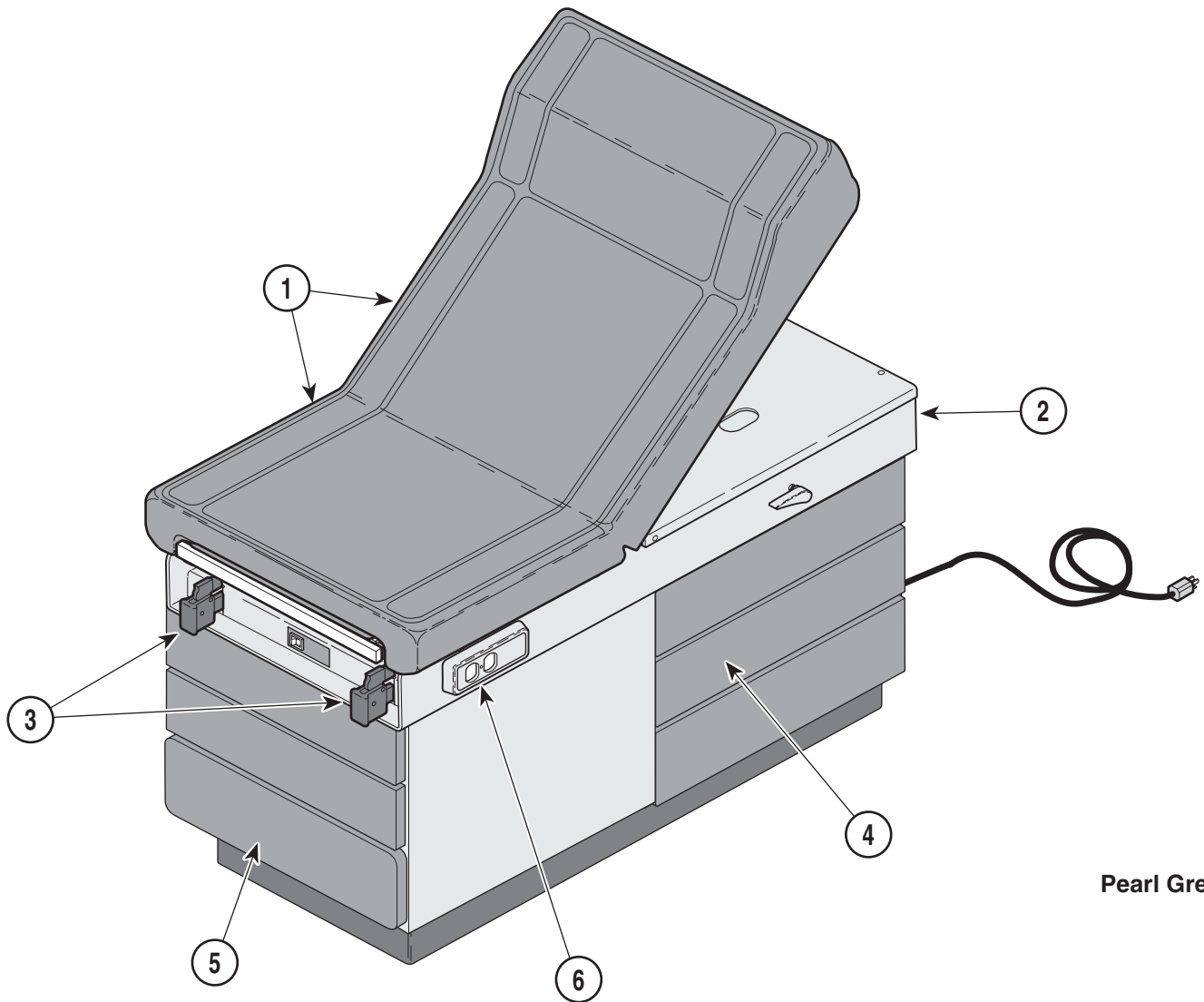
Pearl Grey

MA354702

Units with Serial Number EB1000

Item	Part No.	Description	Page	Item	Part No.	Description	Page
	100-027	100 Exam Table - R.H. - w/ Soft Touch Top, Heater and Pelvic Lift (Pearl Grey) Serial Number Prefix "EB")	6-2.8			OPTIONAL ACCESSORIES	
	100-028	100 Exam Table - L.H. - w/ Soft Touch Top, Heater and Pelvic Lift (Pearl Grey) Serial Number Prefix "EB" [Shown]	6-2.8			Refer to MEDICAL ACCESSORY BOOK {004-0096-00}	
1	•	• Table Top Comp. (Soft Touch)	6-3.4	7	9A01006	Knee Crutch Set	9A01
2	•	• Upper Wrap Components	6-5.*	8	9A0200*	Armboard Assembly	9A02
3	••	•• Stirrup Components	6-7.2	9	9A04001	Procto Rest	9A04
4	•	• Cabinet Components	6-8.3	10	9A70000	Stainless Steel Treatment Pan	6-27.*
	••	•• Drawer Assembly	6-9.*	11	9A104001	Urology Drain Pan	9A104
5	•	• Step Assembly	6-10.2	12	9A105004	Pelvic Lift Assembly	9A105
6	•	• Electrical Components	6-11.1	13	9A10800X	Drawer Heater Assembly	9A108
				14	9A180002	Welch Allyn Bracket	9A180
				15	9A206002	Knee Crutch Set	9A206
				16	9A210002	Side Rails	9A210

Always Specify Model & Serial Number

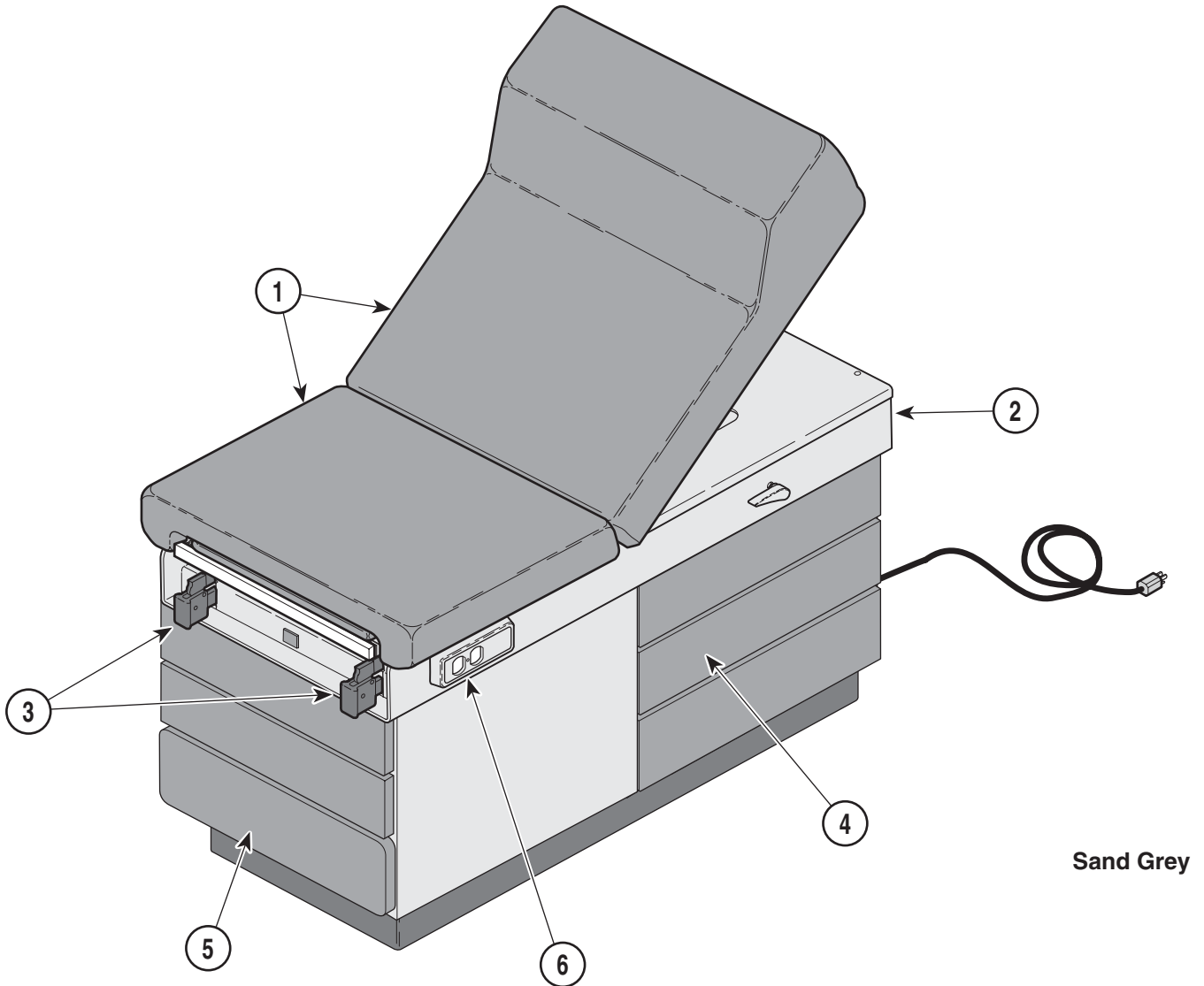


Pearl Grey

MA354801

Used on units with Serial Number FC1000 thru Present							
Item	Part No.	Description	Page	Item	Part No.	Description	Page
	100-029	100 Exam Table - R.H. - w/ Soft Touch Top {Pearl Grey} (Serial Number Prefix "FC")	6-2.9	OPTIONAL ACCESSORIES Refer to MEDICAL ACCESSORY BOOK {004-0096-00}			
	100-030	100 Exam Table - L.H. - w/ Soft Touch Top {Pearl Grey} (Serial Number Prefix "FC" [Shown])	6-2.9				
1	•	• Table Top Comp. (Soft Touch)	6-3.4	7	9A01006	Knee Crutch Set	9A01
2	•	• Upper Wrap Components	6-5.*	8	9A0200*	Armboard Assembly	9A02
3	••	•• Stirrup Components	6-7.2	9	9A04001	Procto Rest	9A04
4	•	• Cabinet Components	6-8.3	10	9A70000	Stainless Steel Treatment Pan	6-27.*
	••	•• Drawer Assembly	6-9.*	11	9A104001	Urology Drain Pan	9A104
5	•	• Step Assembly	6-10.2	12	9A105004	Pelvic Lift Assembly	9A105
6	•	• Electrical Components	6-11.1	13	9A10800X	Drawer Heater Assembly	9A108
				14	9A180002	Welch Allyn Bracket	9A180
				15	9A206002	Knee Crutch Set	9A206
				16	9A210002	Side Rails	9A210

Always Specify Model & Serial Number



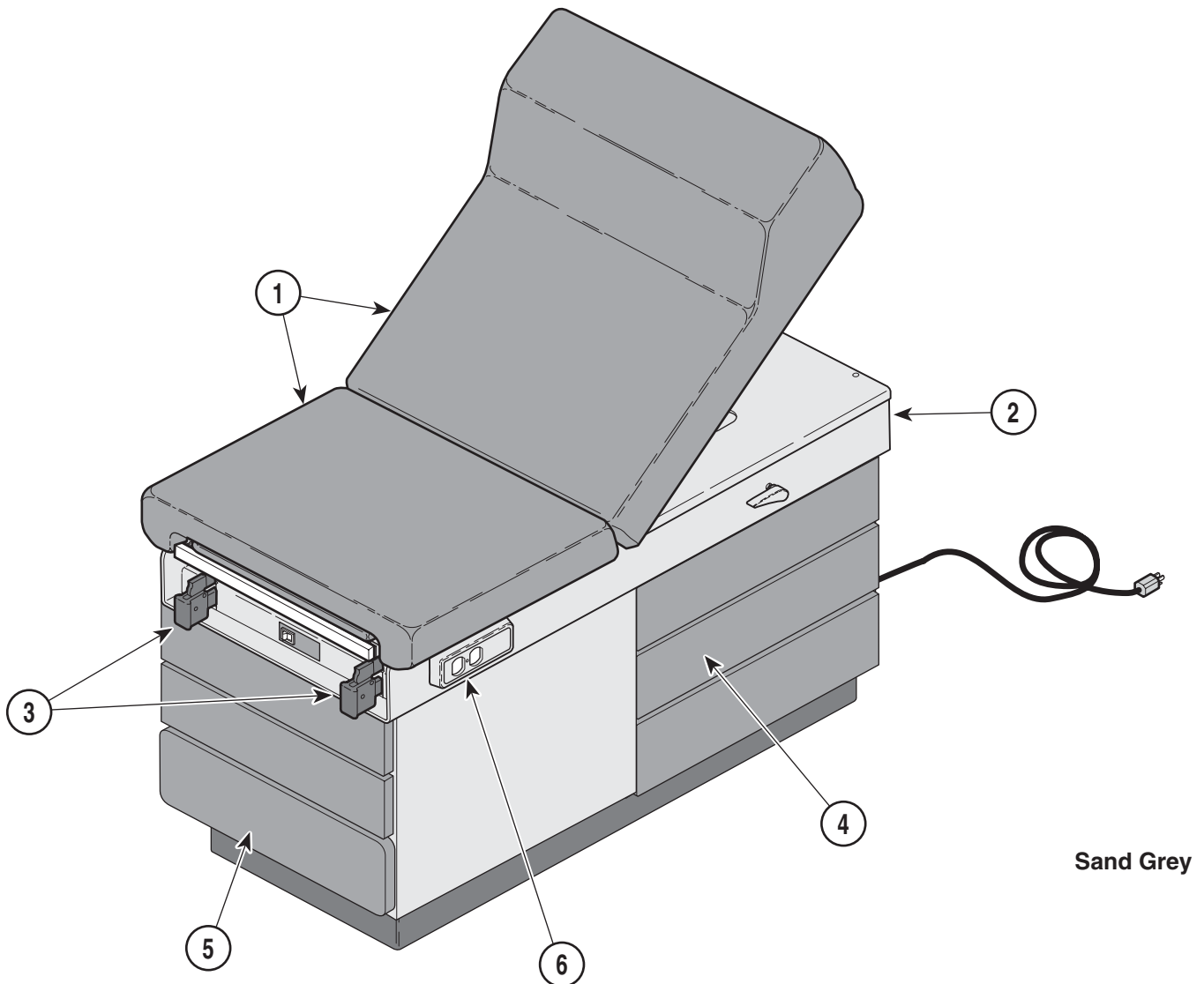
Sand Grey

MA354700

Units with Serial Number GP1000 thru Present Units with Serial Number V2200 thru Present

Item	Part No.	Description	Page	Item	Part No.	Description	Page
	100-031	100 Exam Table - R.H. {Sand Grey} (Serial Number Prefix "GP")	6-2.10			OPTIONAL ACCESSORIES	
	100-032	100 Exam Table - L.H. {Sand Grey} (Serial Number Prefix "GP" [Shown])	6-2.10			Refer to MEDICAL ACCESSORY BOOK {004-0096-00}	
1	•	• Table Top Comp. (Standard)	6-3.5	7	9A01010	Knee Crutch Set	9A01
2	•	• Upper Wrap Components	6-5.4	8	9A02003	Armboard Assembly	9A02
3	••	•• Stirrup Components	6-7.3	9	9A04001	Procto Rest	9A04
4	•	• Cabinet Components	6-8.4	10	9A70000	Stainless Steel Treatment Pan	6-28
	••	•• Drawer Assembly	6-9.3	11	9A104001	Urology Drain Pan	9A104
5	•	• Step Assembly	6-10.3	12	9A105004	Pelvic Lift Assembly	9A105
6	•	• Electrical Components	6-11.2	13	9A10800X	Drawer Heater Assembly	9A108
				14	9A180002	Welch Allyn Bracket	9A180
				15	9A206005	Knee Crutch Set	9A206
				16	9A210007	Side Rails	9A210

Always Specify Model & Serial Number



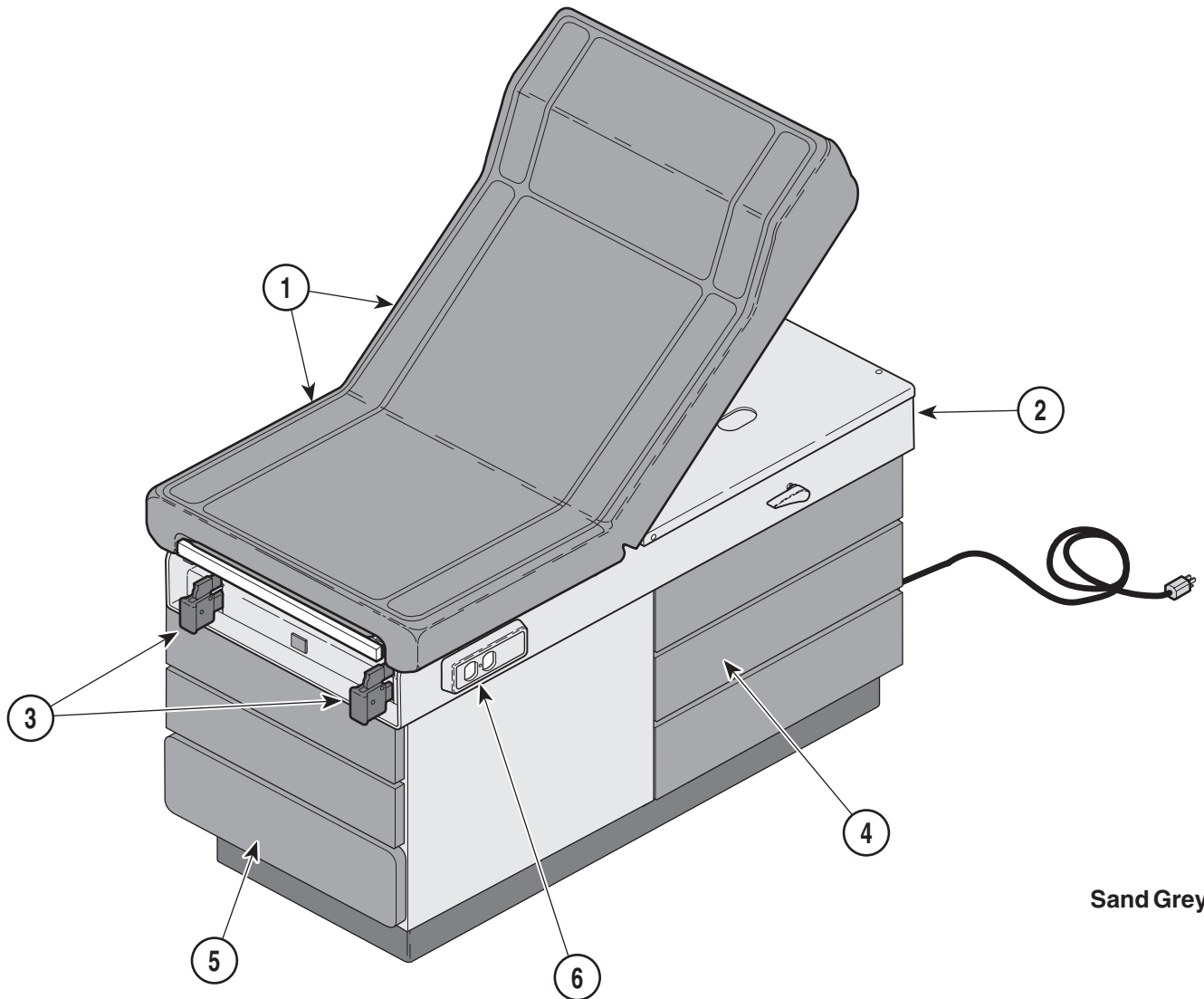
Sand Grey

MA354800

Units with Serial Number GR1000 thru Present Units with Serial Number V2200 thru Present

Item	Part No.	Description	Page	Item	Part No.	Description	Page
	100-033	100 Exam Table - R.H. - w/ Heater and Pelvic Lift {Sand Grey} (Serial Number Prefix "GR")	6-2.11			OPTIONAL ACCESSORIES	
	100-034	100 Exam Table - L.H. - w/ Heater and Pelvic Lift {Sand Grey} (Serial Number Prefix "GR" [Shown])	6-2.11			Refer to MEDICAL ACCESSORY BOOK {004-0096-00}	
1	•	• Table Top Comp. (Standard)	6-3.5	7	9A01010	Knee Crutch Set	9A01
2	•	• Upper Wrap Components	6-5.4	8	9A02003	Armboard Assembly	9A02
3	••	•• Stirrup Components	6-7.3	9	9A04001	Procto Rest	9A04
4	•	• Cabinet Components	6-8.4	10	9A70000	Stainless Steel Treatment Pan	6-28
	••	•• Drawer Assembly	6-9.3	11	9A104001	Urology Drain Pan	9A104
5	•	• Step Assembly	6-10.3	12	9A105004	Pelvic Lift Assembly	9A105
6	•	• Electrical Components	6-11.2	13	9A10800X	Drawer Heater Assembly	9A108
				14	9A180002	Welch Allyn Bracket	9A180
				15	9A206005	Knee Crutch Set	9A206
				16	9A210007	Side Rails	9A210

Always Specify Model & Serial Number



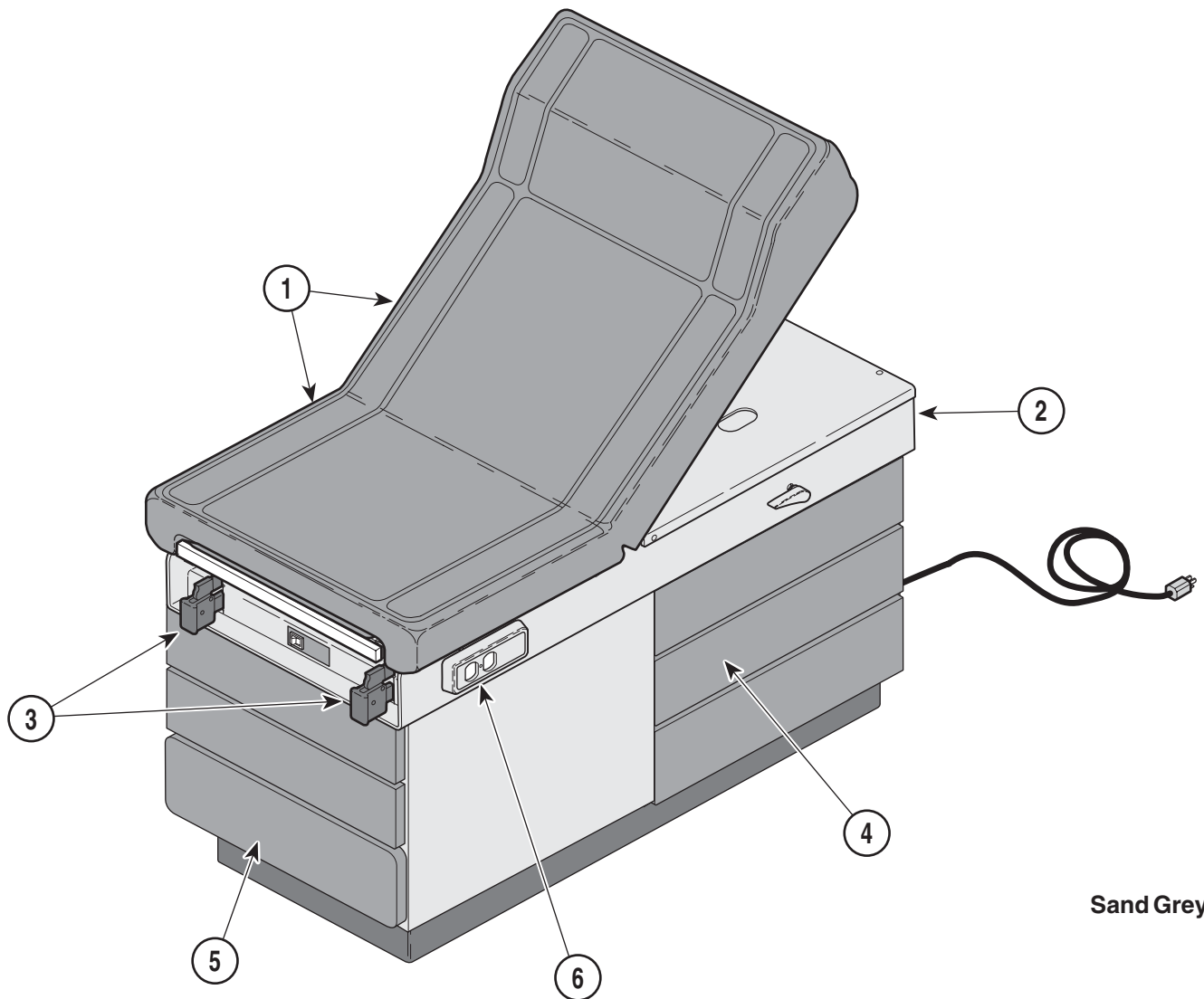
Sand Grey

MA354702

Units with Serial Number KC1000 and KD1000thru Present Units with Serial Number V2200 thru Present

Item	Part No.	Description	Page	Item	Part No.	Description	Page
	100-035	104 Exam Table - R.H. w/ Soft Touch Top {Sand Grey} (Serial Number Prefix "KC")	6-2.12	OPTIONAL ACCESSORIES Refer to MEDICAL ACCESSORY BOOK {004-0096-00}			
	100-036	104 Exam Table - L.H. w/ Soft Touch Top {Sand Grey} (Serial Number Prefix "KD" [Shown])	6-2.12	7	9A01010	Knee Crutch Set	9A01
1	•	• Table Top Comp. (Soft Touch)	6-4.3	8	9A02003	Armboard Assembly	9A02
2	•	• Upper Wrap Components	6-5.*	9	9A04001	Procto Rest	9A04
3	••	•• Stirrup Components	6-7.*	10	9A70000	Stainless Steel Treatment Pan	6-28
4	••	•• Cabinet Components	6-8.4	11	9A104001	Urology Drain Pan	9A104
	••	•• Drawer Assembly	6-9.3	12	9A105004	Pelvic Lift Assembly	9A105
5	•	• Step Assembly	6-10.3	13	9A10800X	Drawer Heater Assembly	9A108
6	•	• Electrical Components	6-11.*	14	9A180002	Welch Allyn Bracket	9A180
				15	9A206005	Knee Crutch Set	9A206
				16	9A210007	Side Rails	9A210
				17	9A28100X	Welch Allyn Bracket	9A281

Always Specify Model & Serial Number



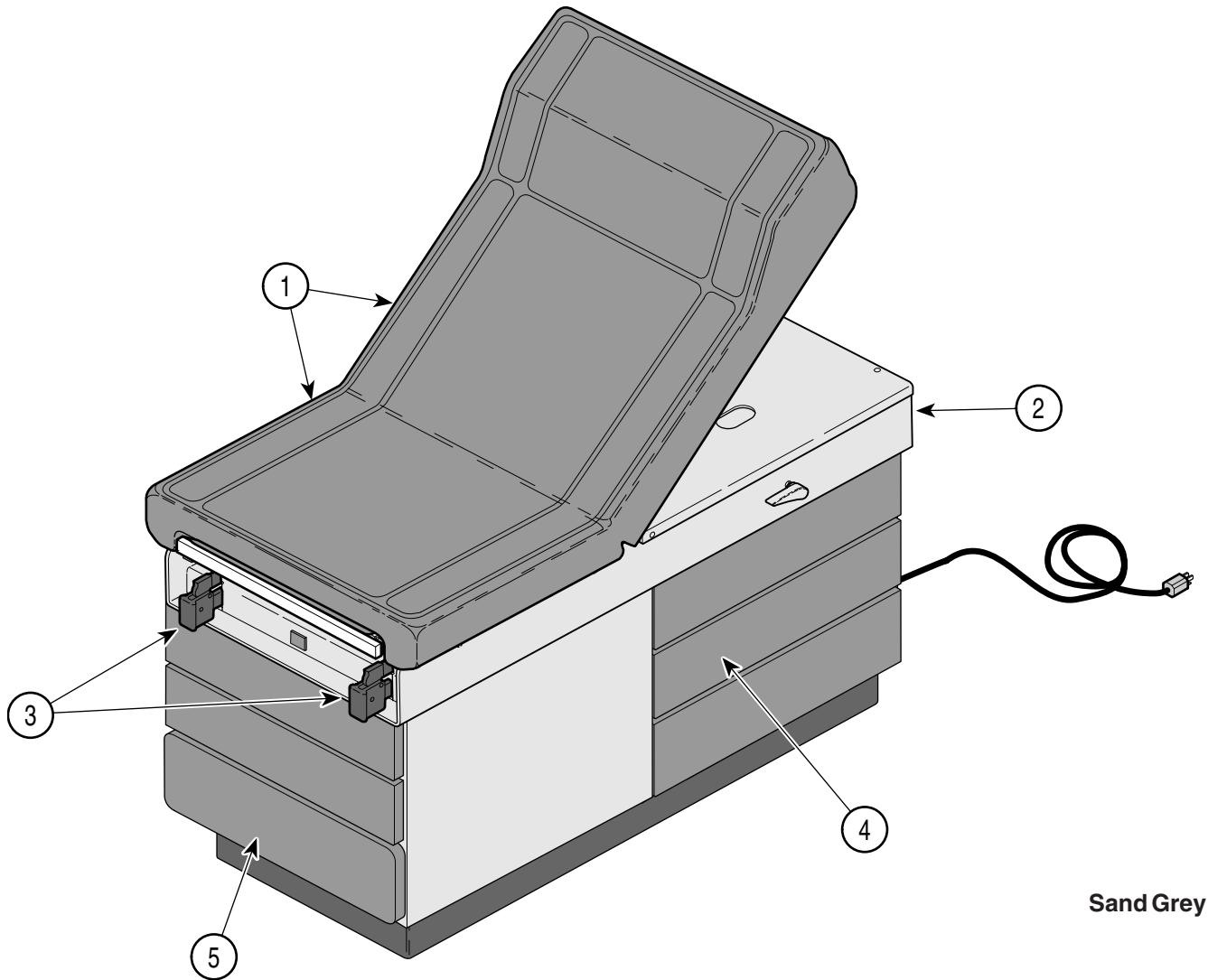
Sand Grey

MA354801

Units with Serial Number KE1000 and KF1000 thru Present Units with Serial Number V2200 thru Present

Item	Part No.	Description	Page	Item	Part No.	Description	Page
	100-037	104 Exam Table - R.H. - w/ Soft Touch Top, Heater & Pelvic Lift {Sand Grey} (Serial Number Prefix "KE")	6-2.13			OPTIONAL ACCESSORIES	
	100-038	104 Exam Table - L.H. - w/ Soft Touch Top, Heater & Pelvic Lift {Sand Grey} (Serial Number Prefix "KF" [Shown])	6-2.13			Refer to MEDICAL ACCESSORY BOOK {004-0096-00}	
1	•	• Table Top Comp. (Soft Touch)	6-4.3	7	9A01010	Knee Crutch Set	9A01
2	•	• Upper Wrap Components	6-5.*	8	9A02003	Armboard Assembly	9A02
3	••	•• Stirrup Components	6-7.*	9	9A04001	Procto Rest	9A04
4	•	• Cabinet Components	6-8.4	10	9A70000	Stainless Steel Treatment Pan	6-28
	••	•• Drawer Assembly	6-9.3	11	9A104001	Urology Drain Pan	9A104
5	•	• Step Assembly	6-10.3	12	9A105004	Pelvic Lift Assembly	9A105
6	•	• Electrical Components	6-11.*	13	9A10800X	Drawer Heater Assembly	9A108
				14	9A180004	Welch Allyn Bracket	9A180
				15	9A206005	Knee Crutch Set	9A206
				16	9A210007	Side Rails	9A210
				17	9A28100X	Welch Allyn Bracket	9A281

Always Specify Model & Serial Number



Sand Grey

MA354702

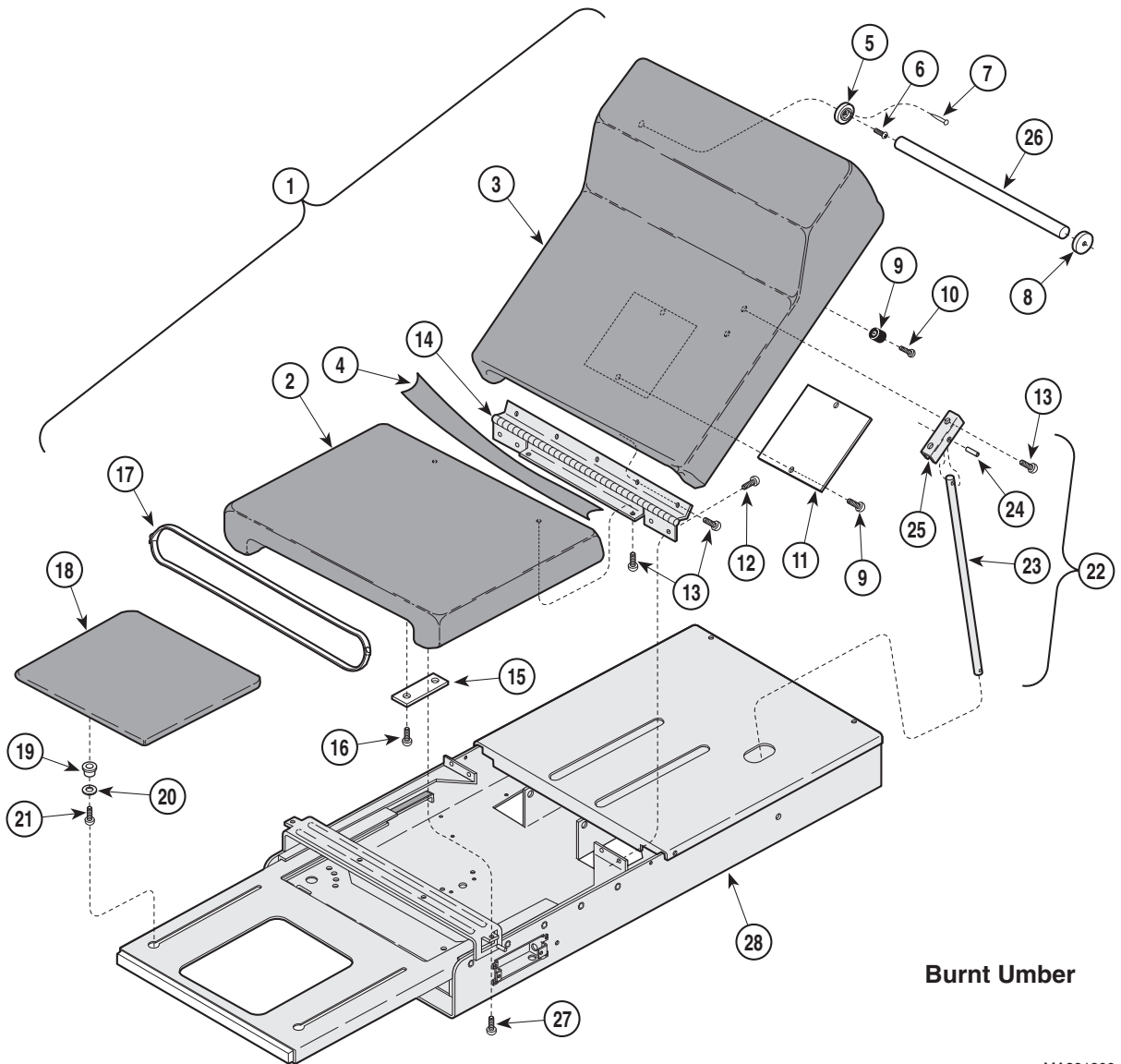
Units with Serial Number V2200 thru Present

Item	Part No.	Description	Page	Item	Part No.	Description	Page
	100-039	Canadian 104 Exam Table - R.H. w/ Soft Touch Top {Sand Grey}	6-2.14			OPTIONAL ACCESSORIES	
	100-040	Canadian 104 Exam Table - L.H. w/ Soft Touch Top {Sand Grey}	6-2.14			Refer to MEDICAL ACCESSORY BOOK {004-0096-00}	
1	•	• Table Top Comp. (Soft Touch)	6-4.3	7	9A01010	Knee Crutch Set	9A01
2	•	• Upper Wrap Components	6-5.6	8	9A02003	Armboard Assembly	9A02
3	••	•• Stirrup Components	6-7.5	9	9A04001	Procto Rest	9A04
4	•	• Cabinet Components	6-8.4	10	9A70000	Stainless Steel Treatment Pan	6-28
	••	•• Drawer Assembly	6-9.3	11	9A104001	Urology Drain Pan	9A104
5	•	• Step Assembly	6-10.3	12	9A105004	Pelvic Lift Assembly	9A105
				13	9A10800X	Drawer Heater Assembly	9A108
				14	9A180002	Welch Allyn Bracket	9A180
				15	9A206005	Knee Crutch Set	9A206
				16	9A210007	Side Rails	9A210
				17	9A28100X	Welch Allyn Bracket	9A281

Always Specify Model & Serial Number

Table Top Components (Standard)

SECTION VI PARTS LIST



Burnt Umber

MA391200

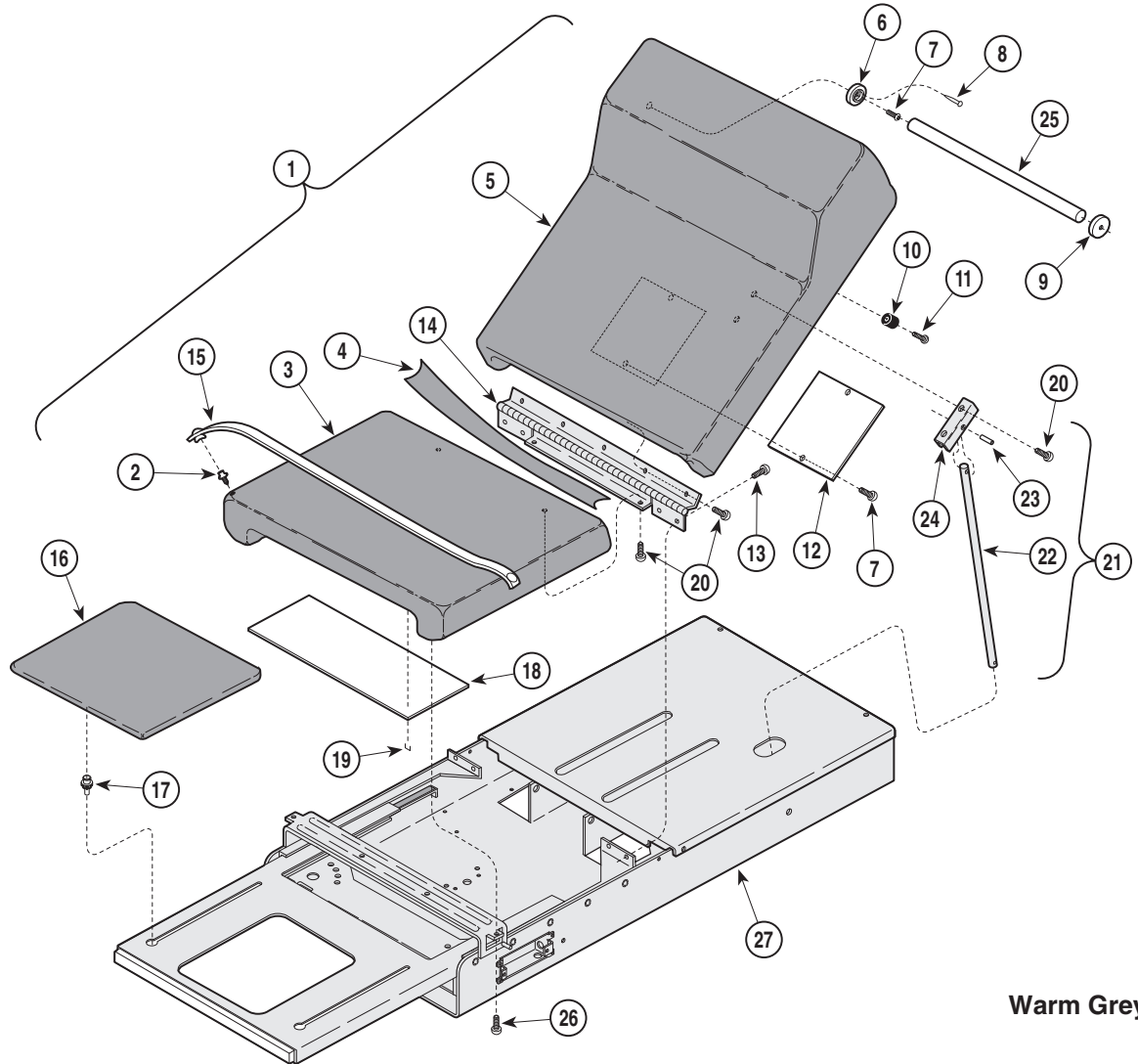
Used on units with Serial Number AE1000 thru Present

Item	Part No.	Description	Qty.	Item	Part No.	Description	Qty.
1	N.L.A.	Standard Upholstery Set (Includes Items 2 thru 11 [Specify Color])	1	15	050-0818-00	Scuff Plate (Units w/ Pelvic Lift Only)	1
2	• 002-0279-00	• Upholstered Seat Board (Specify Color)	1	16	040-0010-26	Screw (Units w/ Pelvic Lift Only)	4
3	• N.L.A.	• Upholstered Head Board (Specify Color)	1	17	002-0049-00	Paper Tear Strip Assembly	2
4	• N.L.A.	• Hinge Cover Vinyl (Specify Color)	1	18	N.L.A.	Upholstered Foot Pad [(Specify Color) {includes Items 19 thru 21}]	1
5	• 053-0043-03	• R. H. Pole Socket	1	19	• 053-0011-00	• Nylon Bushing	4
6	• 040-0006-26	• Screw	4	20	• 053-0021-00	• Rubber Washer	4
7	• 042-0605-00	• Wire Nail	1	21	• 040-0250-02	• Screw	4
8	• 053-0043-04	• L. H. Pole Socket	1	22	029-0151-00	Back Support Rod Assembly (Includes Items 23 thru 25)	1
9	• 05301290-00	• Recess Bumper	2	23	• 057-0013-00	• Back Support Rod	1
10	• 040-0008-00	• Screw	2	24	• 042-0001-01	• Roll Pin	1
11	• 050-0194-00	• Plate	1	25	• 050-0556-00	• Rod Support Bracket	1
12	040-0010-04	Screw	4	26	055-0005-00	Dowel	1
13	040-0010-01	Screw	7	27	040-0010-01	Screw (Units w/o Pelvic Lift Only)	2
14	016-0009-01	Hinge	1	28		Upper Wrap (Refer to "Upper Wrap Components" Elsewhere)	Ref

N.L.A. Denotes "No Longer Available"
Always Specify Model & Serial Number

Table Top Components (Standard)

SECTION VI PARTS LIST



Warm Grey

MA391300

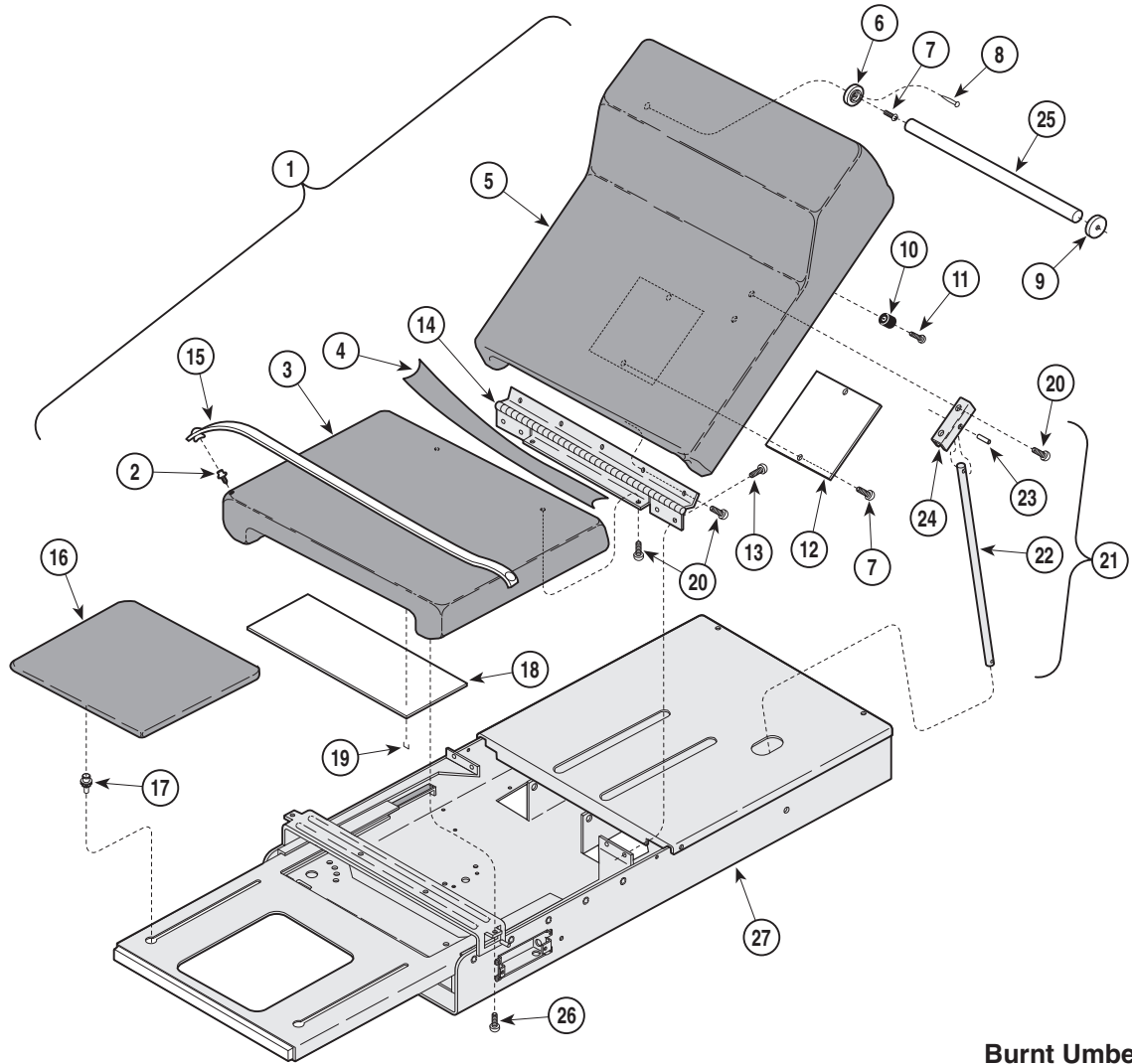
Used on units with Serial Number BS1000, CD1000 and DD1000 thru BS8874, CD1877 and DD1005

Item	Part No.	Description	Qty.	Item	Part No.	Description	Qty.
1	002-0479-00	Standard Upholstery Set (Includes Items 2 thru 12 [Specify Color])	1	14	016-0009-21	Top Hinge	1
2	• 016-0022-00	• Stud	4	15	002-0049-00	Paper Tear Strip	1
3	• 002-0584-00	• Upholstered Seat Board (Specify Color)	1	16	002-0292-xxx	Footrest pad - see Color Chart	1
4	• N.L.A.	• Hinge Cover Vinyl (Specify Color)	1	17	• 053-0365-00	• Footrest Glide	4
5	• N.L.A.	• Upholstered Head Board (Includes Items 6 thru 12 [Specify Color])	1	18	050-1714-01	Scuff Plate (Units w/ Pelvic Lift Only)	1
6	•• 053-0043-03	•• R. H. Pole Socket	1	19	042-0040-00	Staple (Units w/ Pelvic Lift Only)	10
7	•• 040-0006-26	•• Screw	4	20	040-0010-01	Screw	9
8	•• 042-0605-00	•• Wire Nail	1	21	029-0151-01	Back Support Rod Assembly (Includes Items 22 thru 24)	1
9	•• 053-0043-04	•• L. H. Pole Socket	1	22	• 057-0013-00	• Back Support Rod	1
10	•• 053-0024-00	•• Recess Bumper	2	23	• 042-0001-01	• Roll Pin	1
11	•• 040-0008-00	•• Screw	2	24	• 050-0556-20	• Rod Support Bracket	1
12	•• 050-0194-00	•• Plate	1	25	055-0005-00	Dowel	1
13	040-0010-35	Screw	4	26	040-0010-01	Screw (Units w/o Pelvic Lift Only)	2
				27		Upper Wrap (Refer to "Upper Wrap Components" Elsewhere)	Ref

N.L.A. Denotes "No Longer Available"
Always Specify Model & Serial Number

Table Top Components (Standard)

SECTION VI PARTS LIST



Burnt Umber

MA391300

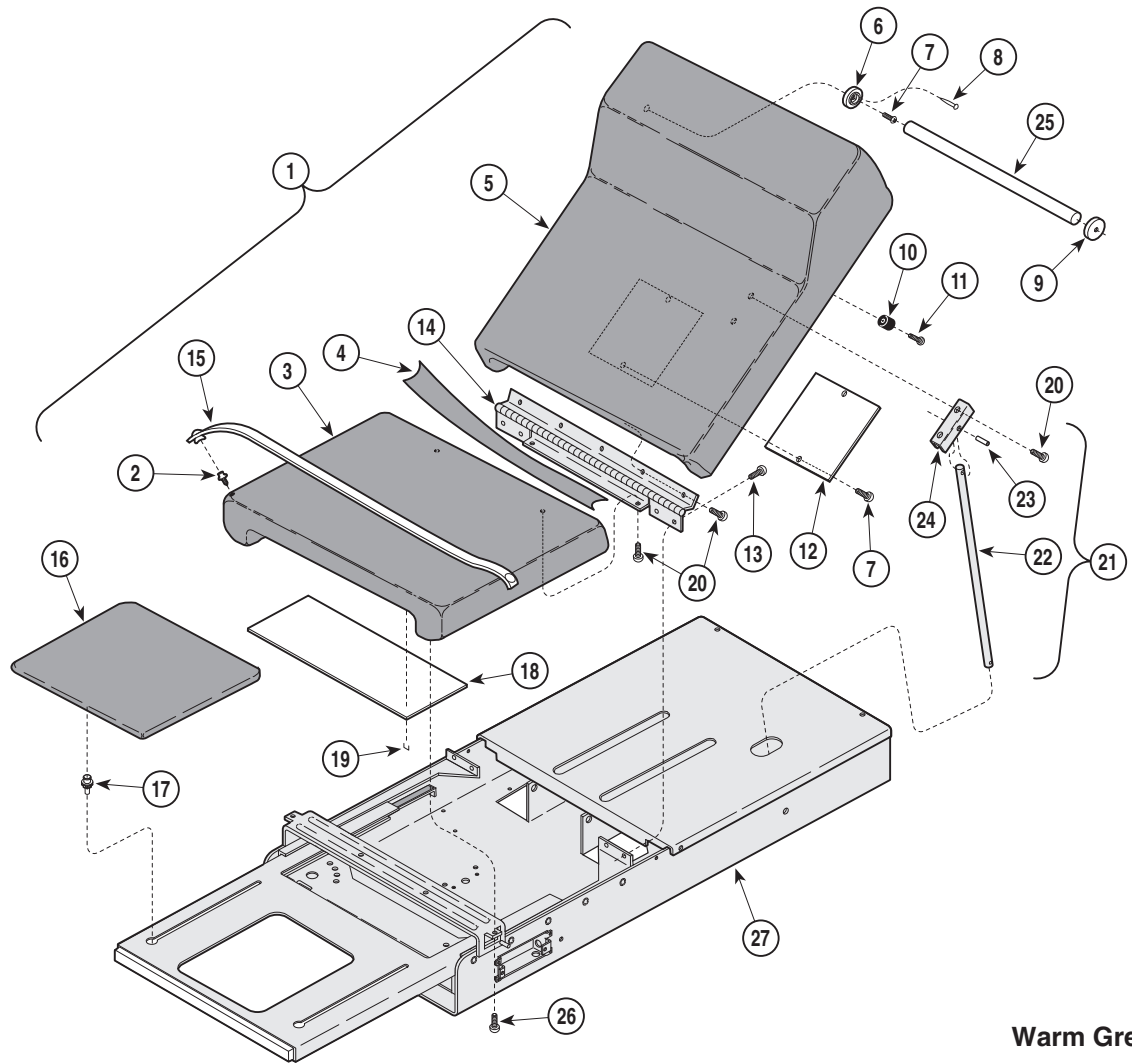
Used on units with Serial Number BS8875, CD1877 and DD1006 thru Present

Item	Part No.	Description	Qty.	Item	Part No.	Description	Qty.
1	002-0479-00	Standard Upholstery Set (Includes Items 2 thru 12 [Specify Color])	1	14	016-0009-01	Top Hinge	1
2	• 016-0022-00	• Stud	4	15	002-0049-00	Paper Tear Strip	1
3	• 002-0584-00	• Upholstered Seat Board (Specify Color)	1	16	002-0292-xxx	Footrest Pad - see Color Chart	1
4	• N.L.A.	• Hinge Cover Vinyl (Specify Color)	1	17	• 053-0424-00	• Footrest Glide	4
5	• N.L.A.	• Upholstered Head Board (Includes Items 6 thru 12 [Specify Color])	1	18	050-1714-01	Scuff Plate (Units w/ Pelvic Lift Only)	1
6	•• 053-0043-03	•• R. H. Pole Socket	1	19	042-0040-00	Staple (Units w/ Pelvic Lift Only)	10
7	•• 040-0006-26	•• Screw	4	20	040-0010-01	Screw	9
8	•• 042-0605-00	•• Wire Nail	1	21	029-0151-00	Back Support Rod Assembly (Includes Items 22 thru 24)	1
9	•• 053-0043-04	•• L. H. Pole Socket	1	22	• 057-0013-00	• Back Support Rod	1
10	•• 053-1290-00	•• Recess Bumper	2	23	• 042-0001-01	• Roll Pin	1
11	•• 040-0008-00	•• Screw	2	24	• 050-0556-00	• Rod Support Bracket	1
12	•• 050-0194-00	•• Plate	1	25	055-0005-00	Dowel	1
13	040-0010-04	Screw	4	26	040-0010-01	Screw (Units w/o Pelvic Lift Only)	2
				27		Upper Wrap (Refer to "Upper Wrap Components" Elsewhere)	Ref

N.L.A. Denotes "No Longer Available"
Always Specify Model & Serial Number

Table Top Components (Standard)

SECTION VI PARTS LIST



Warm Grey

MA391300

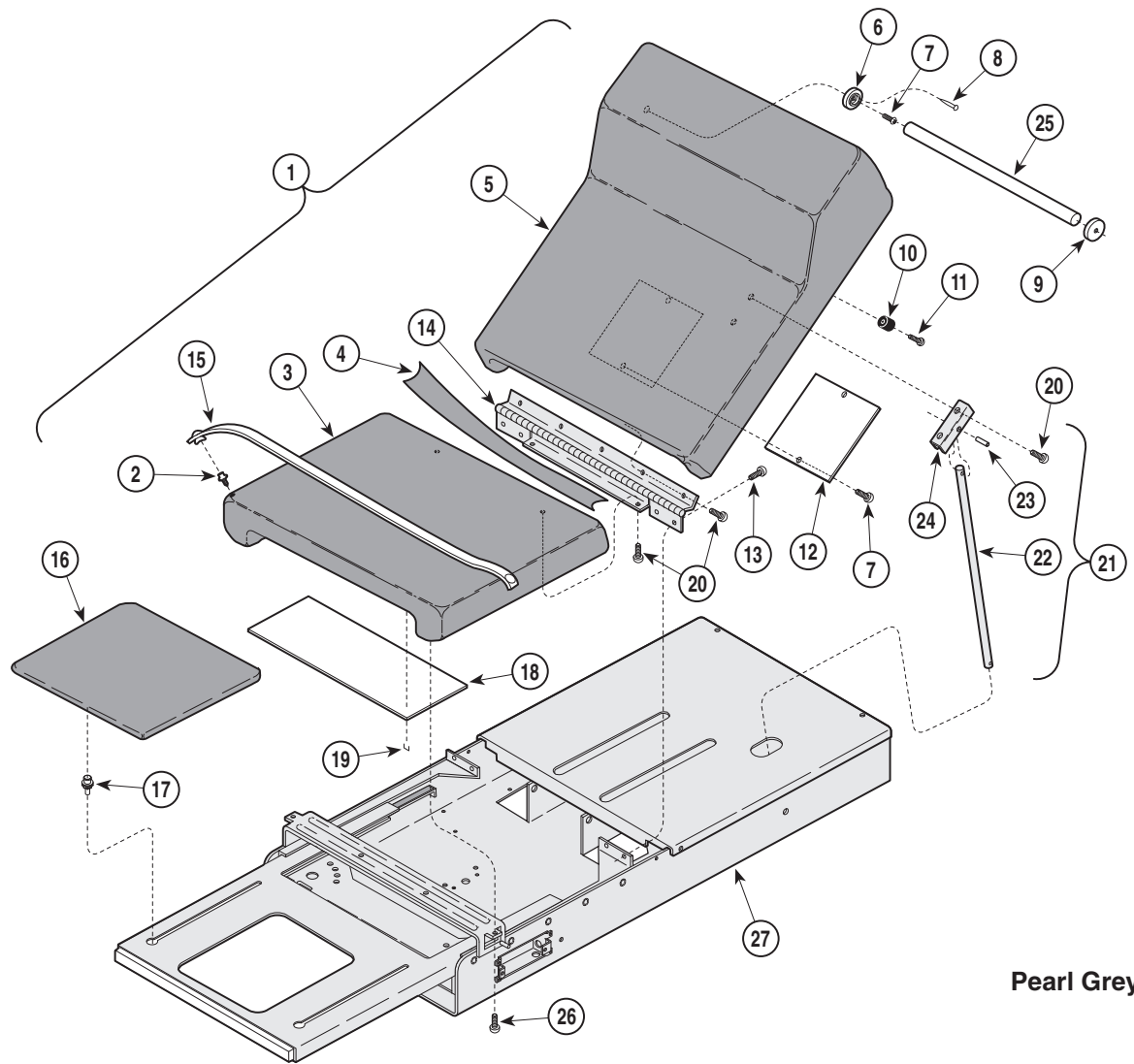
Used on units with Serial Number BS8875, CD1877 and DD1006 thru Present

Item	Part No.	Description	Qty.	Item	Part No.	Description	Qty.
1	002-0479-00	Standard Upholstery Set (Includes Items 2 thru 12 [Specify Color])	1	14	016-0009-21	Top Hinge	1
2	• 016-0022-00	• Stud	4	15	002-0049-00	Paper Tear Strip	1
3	• 002-0584-00	• Upholstered Seat Board (Specify Color)	1	16	002-0292-xxx	Footrest Pad - see Color Chart	1
4	• N.L.A.	• Hinge Cover Vinyl (Specify Color)	1	17	• 053-0424-00	• Footrest Glide	4
5	• N.L.A.	• Upholstered Head Board (Includes Items 6 thru 12 [Specify Color])	1	18	050-1714-01	Scuff Plate (Units w/ Pelvic Lift Only)	1
6	•• 053-0043-03	•• R. H. Pole Socket	1	19	042-0040-00	Staple (Units w/ Pelvic Lift Only)	10
7	•• 040-0006-26	•• Screw	4	20	040-0010-01	Screw	9
8	•• 042-0605-00	•• Wire Nail	1	21	029-0151-01	Back Support Rod Assembly (Includes Items 22 thru 24)	1
9	•• 053-0043-04	•• L. H. Pole Socket	1	22	• 057-0013-00	• Back Support Rod	1
10	•• 053-1290-00	•• Recess Bumper	2	23	• 042-0001-01	• Roll Pin	1
11	•• 040-0008-00	•• Screw	2	24	• 050-0556-20	• Rod Support Bracket	1
12	•• 050-0194-00	•• Plate	1	25	055-0005-00	Dowel	1
13	040-0010-04	Screw	4	26	040-0010-01	Screw (Units w/o Pelvic Lift Only)	2
				27		Upper Wrap (Refer to "Upper Wrap Components" Elsewhere)	Ref

N.L.A. Denotes "No Longer Available"
Always Specify Model & Serial Number

Table Top Components (Standard)

SECTION VI PARTS LIST



Pearl Grey

MA391300

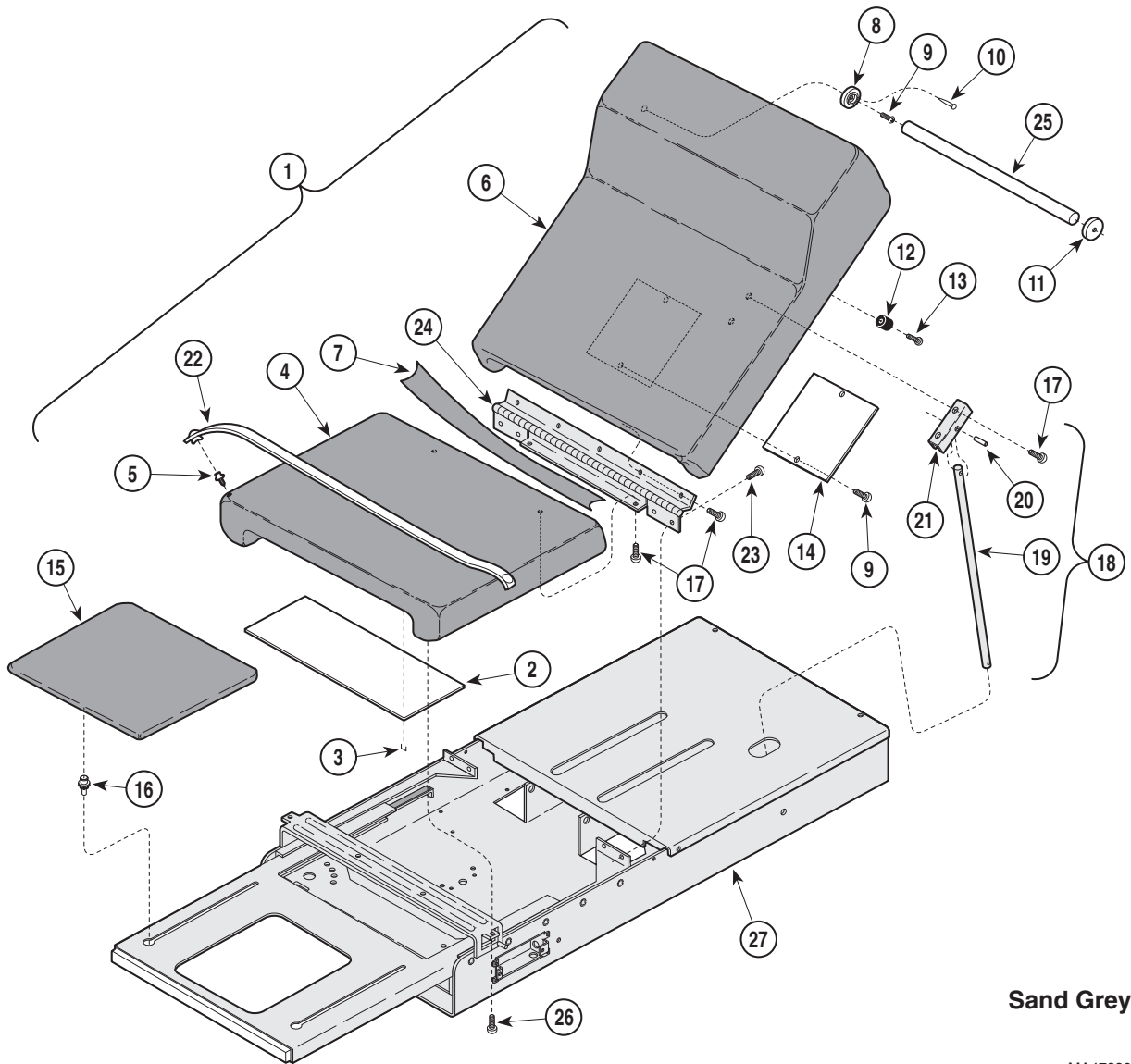
Used on units with Serial Number EB1000 and FC1000 thru Present

Item	Part No.	Description	Qty.	Item	Part No.	Description	Qty.
1	002-0479-00	Standard Upholstery Set (Includes Items 2 thru 12 [Specify Color])	1	14	016-0009-11	Top Hinge	1
2	• 016-0022-00	• Stud	4	15	002-0049-00	Paper Tear Strip	1
3	• 002-0584-00	• Upholstered Seat Board (Specify Color)	1	16	002-0292-xxx	Footrest Pad - <i>see Color Chart</i>	1
4	• N.L.A.	• Hinge Cover Vinyl (Specify Color)	1	17	• 053-0424-00	• Footrest Glide	4
5	• N.L.A.	• Upholstered Head Board (Includes Items 6 thru 12 [Specify Color])	1	18	050-1714-01	Scuff Plate (Units w/ Pelvic Lift Only)	1
6	•• 053-0043-03	•• R. H. Pole Socket	1	19	042-0040-00	Staple (Units w/ Pelvic Lift Only)	10
7	•• 040-0006-26	•• Screw	4	20	040-0010-01	Screw	9
8	•• 042-0605-00	•• Wire Nail	1	21	029-0151-02	Back Support Rod Assembly (Includes Items 22 thru 24)	1
9	•• 053-0043-04	•• L. H. Pole Socket	1	22	• 057-0013-00	• Back Support Rod	1
10	•• 053-1290-00	•• Recess Bumper	2	23	• 042-0001-01	• Roll Pin	1
11	•• 040-0008-00	•• Screw	2	24	• 050-0556-10	• Rod Support Bracket	1
12	•• 050-0194-00	•• Plate	1	25	055-0005-00	Dowel	1
13	040-0010-04	Screw	4	26	040-0010-01	Screw (Units w/o Pelvic Lift Only)	2
				27		Upper Wrap (Refer to "Upper Wrap Components" Elsewhere)	Ref

N.L.A. Denotes "No Longer Available"
Always Specify Model & Serial Number

Table Top Components (Standard)

SECTION VI PARTS LIST



Sand Grey

MA478800

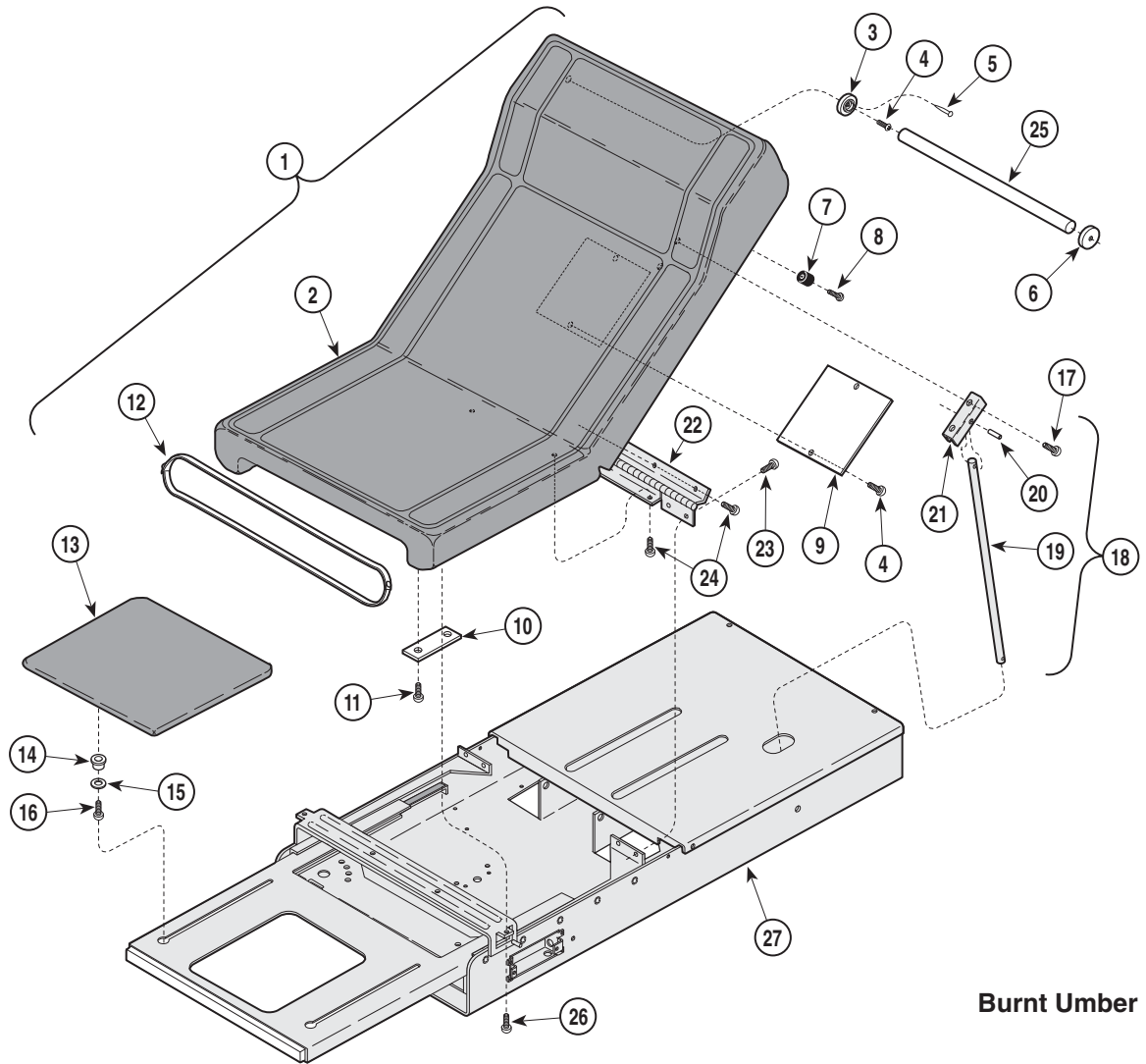
**Used on units with Serial Number GP1000 and GR1000 thru Present
Units with Serial Number V2200 thru Present**

Item	Part No.	Description	Qty.	Item	Part No.	Description	Qty.
1	002-0566-00	Standard Upholstery Set (Includes Items 2 thru 14 [Specify Color])	1	14	• 050-0194-00	• Plate	1
2	• 053-0950-00	• Scuff Plate (Units w/ Pelvic Lift Only)	1	15	028-0439-00	Upholstered Footrest (Specify Color)	1
3	• 042-0040-00	• Staple (Units w/ Pelvic Lift Only)	10	16	053-0424-00	Footrest Glide	4
4	• 002-0584-00	• Upholstered Seat Board (Specify Color)	1	17	040-0010-01	Screw	9
5	• 016-0022-00	• Stud	4	18	029-0151-03	Back Support Rod Assembly (Includes Items 19 thru 21)	1
6	• N.L.A.	• Upholstered Head Board (Specify Color)	1	19	• 057-0013-00	• Back Support Rod	1
7	• N.L.A.	• Hinge Cover Vinyl (Specify Color)	1	20	• 042-0001-01	• Roll Pin	1
8	• 053-0043-04	• L. H. Pole Socket	1	21	• 050-0556-40	• Rod Support Bracket	1
9	• 040-0006-26	• Screw	4	22	• 002-0049-00	• Paper Tear Strip	2
10	• 042-0605-00	• Wire Nail	1	23	040-0010-04	Screw	4
11	• 053-0043-03	• R. H. Pole Socket	1	24	016-0009-41	Top Hinge	1
12	• 053-1290-00	• Recess Bumper	2	25	055-0005-00	Dowel	1
13	• 040-0008-00	• Screw	2	26	040-0010-01	Screw (Units w/o Pelvic Lift Only)	2
				27		Upper Wrap (Refer to "Upper Wrap Components" Elsewhere)	Ref

N.L.A. Denotes "No Longer Available"
Always Specify Model & Serial Number

Table Top Components (Soft Touch)

SECTION VI PARTS LIST



Burnt Umber

MA391100

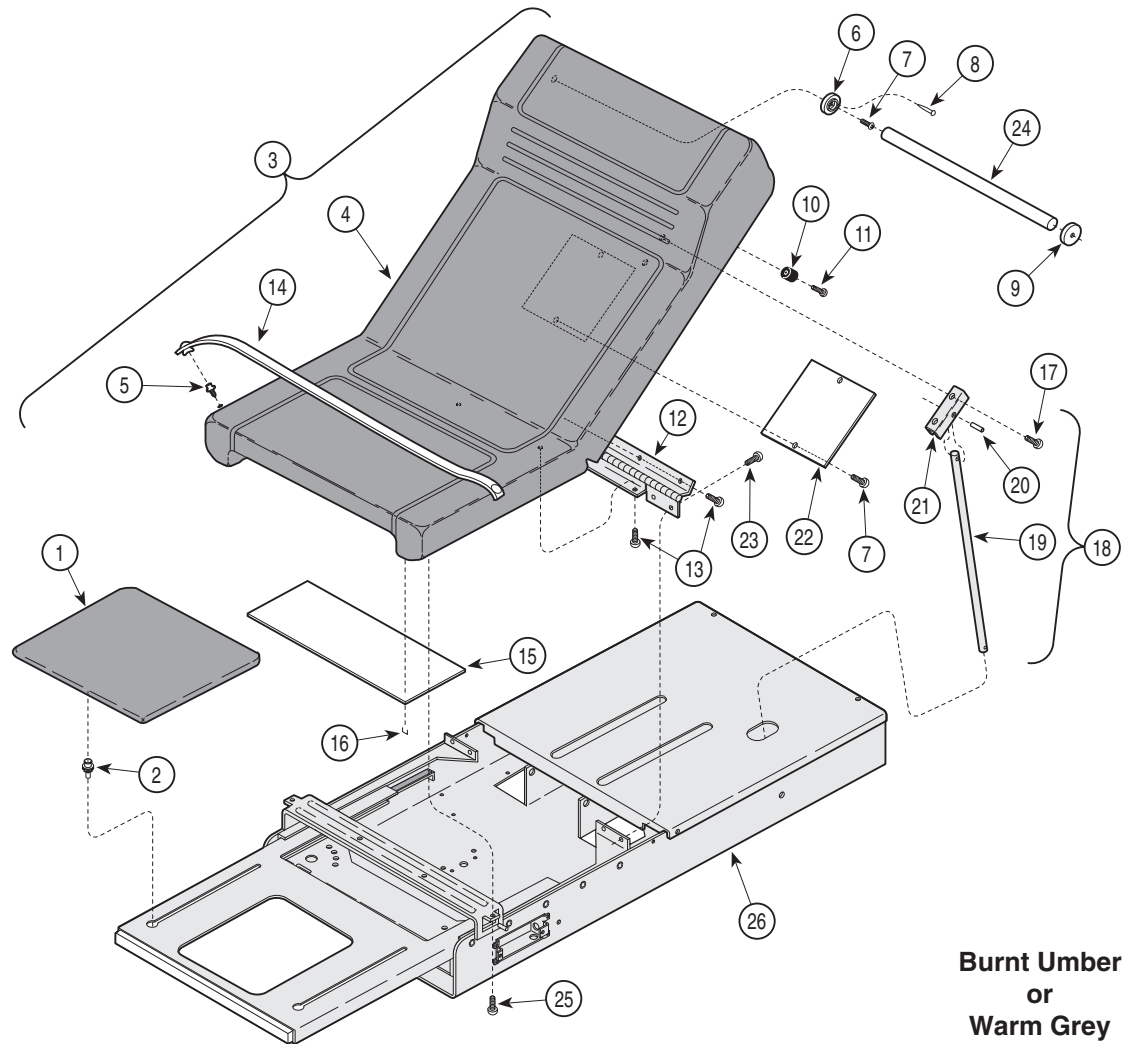
**Used on units with Serial Number AE1000 thru Present
Units with Serial Number V2200 thru Present**

Item	Part No.	Description	Qty.	Item	Part No.	Description	Qty.
1	002-0138-00	Soft Touch Upholstered Top Kit {Units With Pelvic Tilt Option} (Includes Items 2 thru 11 [Specify Color])	1	13	002-0283-00	Upholstered Footrest Pad (Includes Item 14 thru 16 [Specify Color])	1
	002-0140-00	Soft Touch Upholstered Top Kit {Units Without Pelvic Tilt Option} (Includes Items 2 thru 8 [Specify Color])	1	14	• 053-0011-00	• Nylon Bushing	4
2	•	• Upholstered Top (Part of Item 1)	1	15	• 053-0021-00	• Rubber Washer	4
3	• 053-0043-03	• R. H. Pole Socket	1	16	• 040-0250-02	• Screw	4
4	• 040-0006-26	• Screw	4	17	040-0010-01	Screw	2
5	• 042-0605-00	• Wire Nail	1	18	029-0151-00	Back Support Rod Assembly (Includes Items 19 thru 21)	1
6	• 053-0043-04	• L. H. Pole Socket	1	19	• 057-0013-00	• Back Support Rod	1
7	• 053-1290-00	• Recess Bumper	2	20	• 042-0001-01	• Roll Pin	1
8	• 040-0008-00	• Screw	2	21	• 050-0556-00	• Rod Support Bracket	1
9	• 050-0194-00	• Plate	1	22	016-0009-01	Top Hinge	1
10	• 050-0818-00	• Scuff Plate (Units w/o Pelvic Lift Only)	1	23	040-0010-04	Screw	4
11	• 040-0010-26	• Screw	4	24	040-0010-01	Screw	7
12	002-0049-00	Paper Tear Strip Assembly	2	25	055-0005-00	Dowel	1
				26	040-0010-01	Screw (Units w/o Pelvic Lift Only)	2
				27		Upper Wrap (Refer to "Upper Wrap Components" Elsewhere)	Ref

Always Specify Model & Serial Number

Table Top Components (Soft Touch)

SECTION VI PARTS LIST



**Burnt Umber
or
Warm Grey**

MA391001

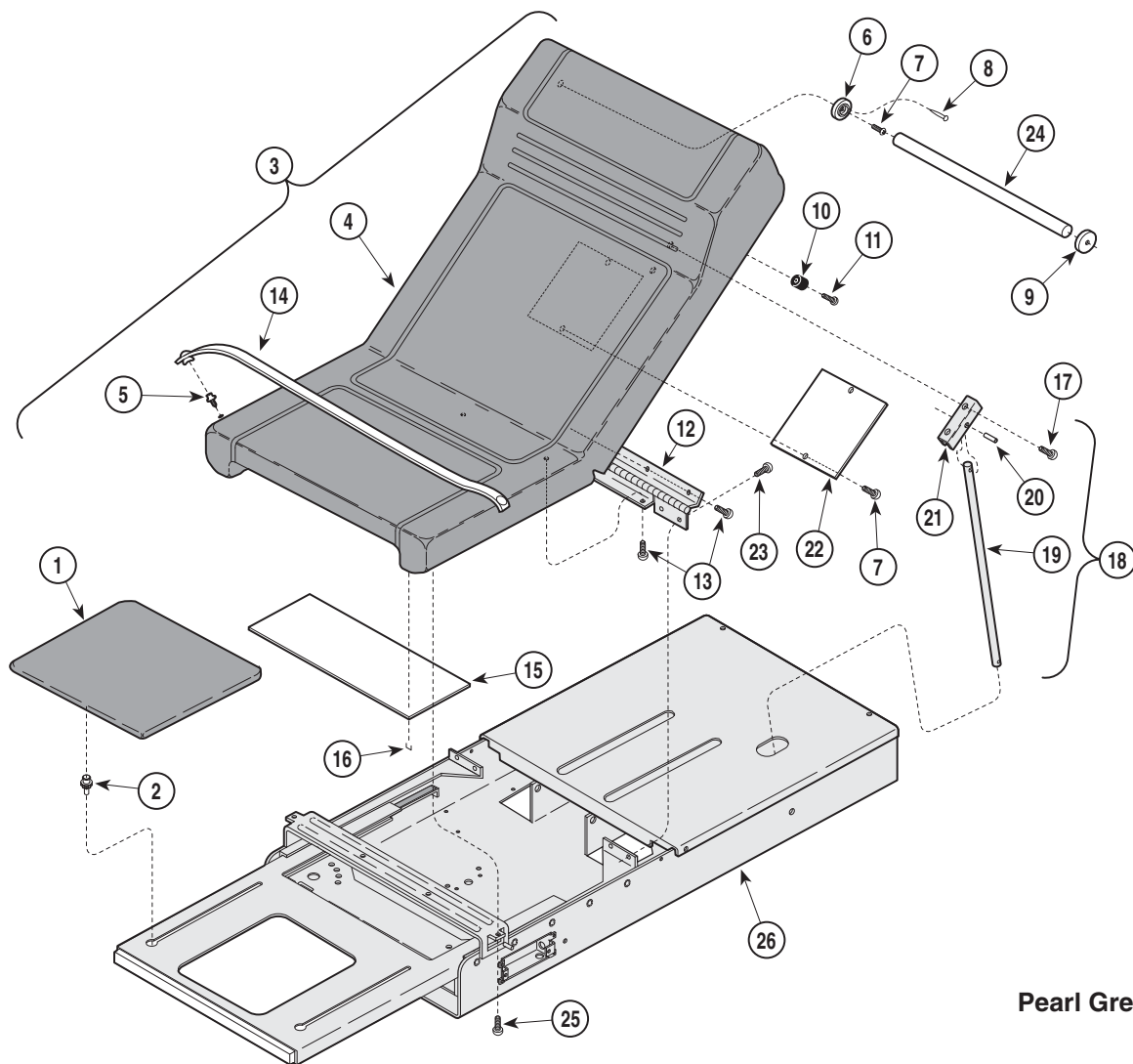
Used on units with Serial Number BS8875, CD1878 and DD1006 thru Present

Item	Part No.	Description	Qty.	Item	Part No.	Description	Qty.
1	002-0292-xxx	Upholstered Footrest (Specify Color)	1	16	042-0040-00	Staple (Units w/ Pelvic Lift Only)	10
2	053-0424-00	Footrest Glide	4	17	040-0010-01	Screw	2
3	002-0285-00	Standard Upholstery Set (Includes Items 4 thru 13 [Specify Color])	1	18	029-0151-00	Back Support Rod Assm. [Burnt Umber] (Includes Items 19 thru 21)	1
4	•	• Upholstered Soft Touch Top (Part of Item 3)	1		029-0151-01	Back Support Rod Assm. [Warm Grey] (Includes Items 19 thru 21)	1
5	• 016-0022-00	• Stud	4	19	• 057-0013-00	• Back Support Rod	1
6	• 053-0043-03	• R. H. Pole Socket	1	20	• 042-0001-01	• Roll Pin	1
7	• 040-0006-26	• Screw	4	21	• 050-0556-00	• Rod Support Bracket [Burnt Umber]	1
8	• 042-0605-00	• Wire Nail	1		• 050-0556-10	• Rod Support Bracket [Warm Grey]	1
9	• 053-0043-04	• L. H. Pole Socket	1	22	050-0194-00	Plate	1
10	• 053-1290-00	• Recess Bumper	2	23	040-0010-04	Screw	4
11	• 040-0008-00	• Screw	2	24	055-0005-00	Dowel	1
12	• 016-0009-11	• Top Hinge	1	25	040-0010-01	Screw (Units w/o Pelvic Lift Only)	2
13	• 040-0010-01	• Screw	7	26		Upper Wrap (Refer to "Upper Wrap Components" Elsewhere)	Ref
14	002-0049-00	Paper Tear Strip	1				
15	053-1714-01	Scuff Plate (Units w/ Pelvic Lift Only)	1				

N.L.A. Denotes "No Longer Available"
Always Specify Model & Serial Number

Table Top Components (Soft Touch)

SECTION VI PARTS LIST



Pearl Grey

MA391001

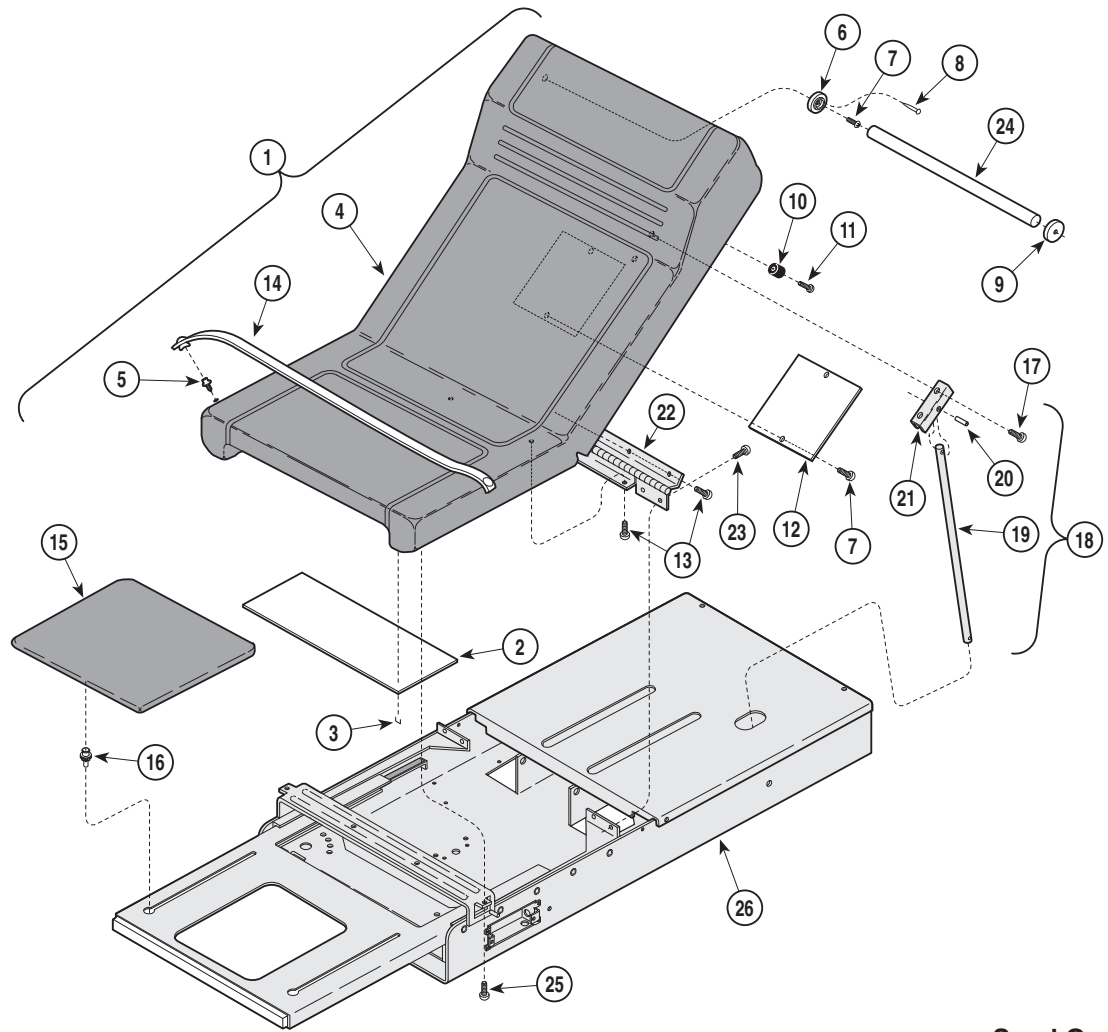
Used on units with Serial Number EB1000 and FC1000 thru Present

Item	Part No.	Description	Qty.	Item	Part No.	Description	Qty.
1	002-0292-xxx	Footrest Pad - see Color Chart	1	14	002-0049-00	Paper Tear Strip	1
2	053-0424-00	Footrest Glide	4	15	053-0869-01	Scuff Plate (Units w/ Pelvic Lift Only)	1
3	002-0285-00	Standard Upholstery Set (Includes Items 4 thru 13 [Specify Color])	1	16	042-0040-00	Staple (Units w/ Pelvic Lift Only)	10
4	•	• Upholstered Soft Touch Top (Part of Item 3)	1	17	040-0010-01	Screw	2
5	• 016-0022-00	• Stud	4	18	029-0151-01	Back Support Rod Assembly (Includes Items 19 thru 21)	1
6	• 053-0043-03	• R. H. Pole Socket	1	19	• 057-0013-00	• Back Support Rod	1
7	• 040-0006-26	• Screw	4	20	• 042-0001-01	• Roll Pin	1
8	• 042-0605-00	• Wire Nail	1	21	• 050-0556-10	• Rod Support Bracket	1
9	• 053-0043-04	• L. H. Pole Socket	1	22	050-0194-00	Plate	1
10	• 053-1290-00	• Recess Bumper	2	23	040-0010-04	Screw	4
11	• 040-0008-00	• Screw	2	24	055-0005-00	Dowel	1
12	• 016-0009-11	• Top Hinge	1	25	040-0010-01	Screw (Units w/o Pelvic Lift Only)	2
13	• 040-0010-01	• Screw	7	26		Upper Wrap (Refer to "Upper Wrap Components" Elsewhere)	Ref

Always Specify Model & Serial Number

Table Top Components (Soft Touch)

SECTION VI PARTS LIST



Sand Grey

MA477400

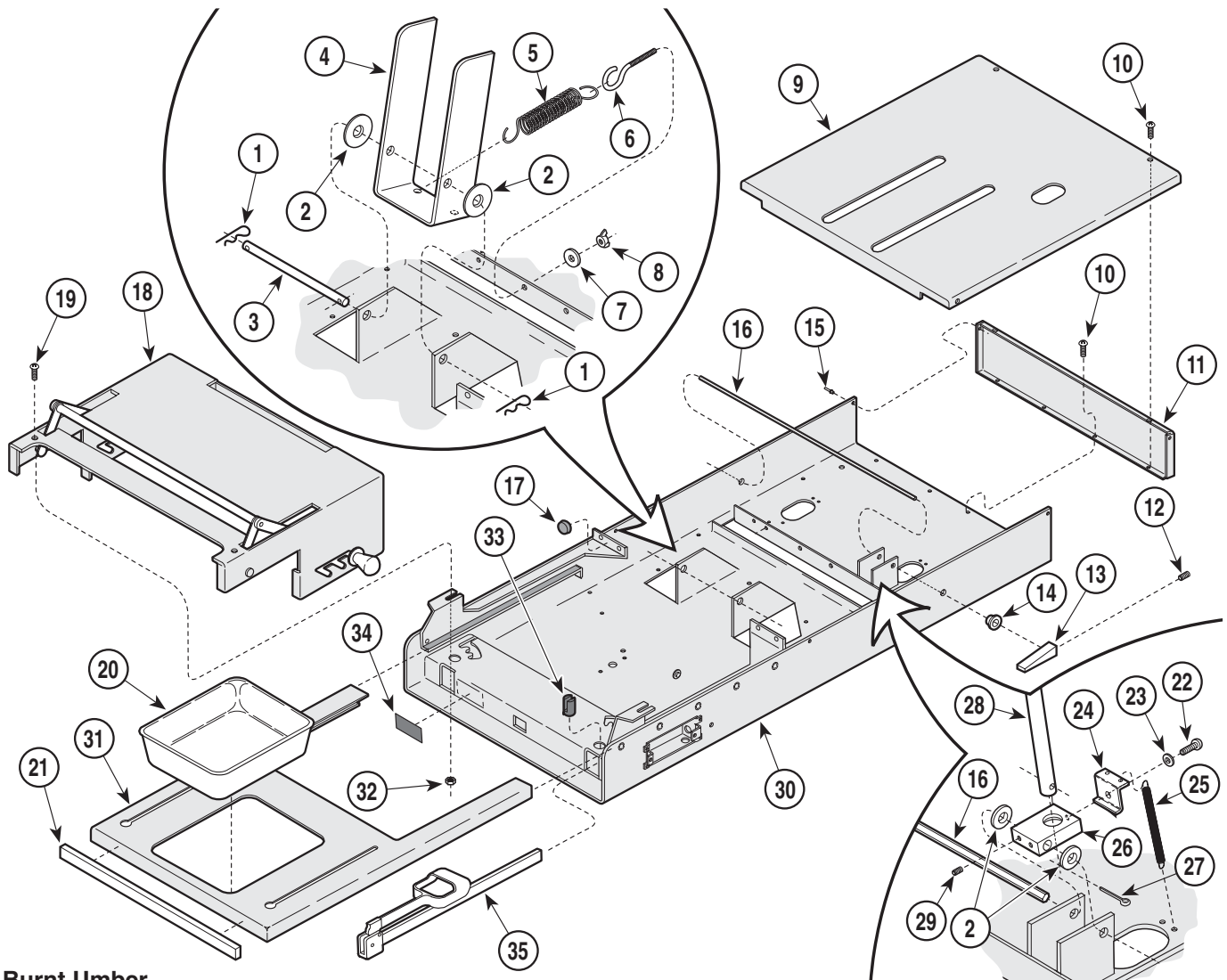
**Used on units with Serial Number KC1000, KD1000, KE1000 and KF1000 thru Present
Units with Serial Number V2200 thru Present**

Item	Part No.	Description	Qty.	Item	Part No.	Description	Qty.
1	002-0597-xxx	Standard Uph. Set - see Color Chart (includes items 2 thru 12)	1	16	053-0424-00	Footrest Glide	4
2	• 053-0950-00	• Scuff Plate	1	17	040-0010-01	Screw	2
3	• 042-0040-00	• Staple	10	18	029-0151-03	Back Support Rod Assembly (Includes Items 19 thru 21)	1
4	•	• Upholstered Soft Touch Top	1	19	• 057-0013-00	• Back Support Rod	1
5	• 016-0022-00	• Stud	4	20	• 042-0001-01	• Roll Pin	1
6	• 053-0043-04	• R. H. Pole Socket	1	21	• 050-0556-40	• Rod Support Bracket	1
7	• 040-0006-26	• Screw	4	22	016-0009-41	Top Hinge (Early Units)	1
8	• 042-0605-00	• Wire Nail	1		016-0715-41	Top Hinge (Later Units)	1
9	• 053-0043-03	• L. H. Pole Socket	1	23	040-0010-04	Screw	4
10	• 053-1290-00	• Recess Bumper	2	24	055-0005-00	Dowel	1
11	• 040-0008-95	• Screw	2	25	040-0010-01	Screw (Units w/o Pelvic Lift Only)	2
12	• 050-0194-00	• Plate	1	26		Upper Wrap (Refer to "Upper Wrap Components" Elsewhere)	Ref
13	040-0010-01	Screw	7				
14	002-0049-00	Paper Tear Strip	1				
15	002-0292-xxx	Footrest Pad - see Color Chart	1				

Always Specify Model & Serial Number

Upper Wrap Components

SECTION VI PARTS LIST



Burnt Umber

MA391500

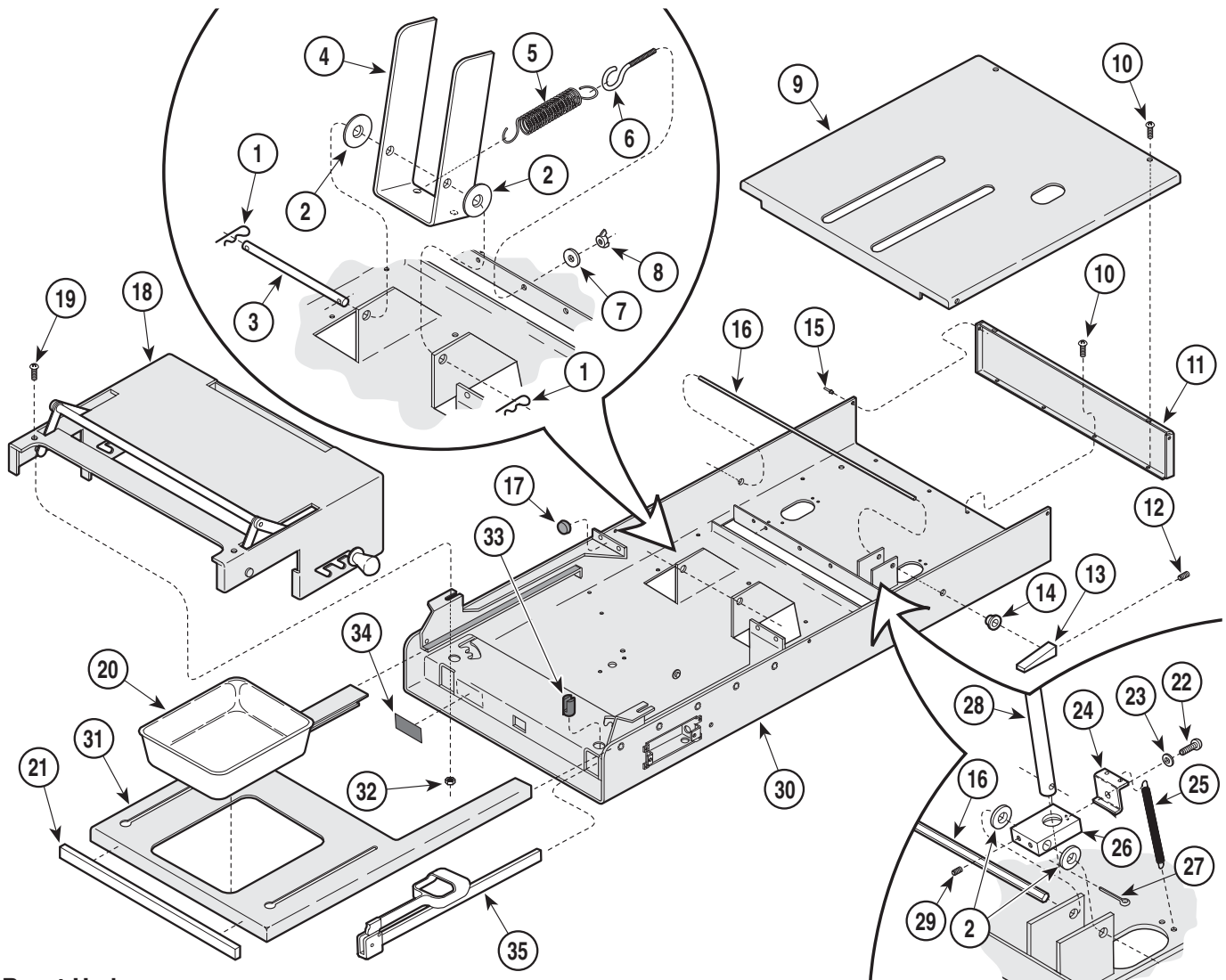
Used on units with Serial Number AE1000 thru AE14017

Item	Part No.	Description	Qty.	Item	Part No.	Description	Qty.
1	042-0004-00	Hitch pin	2	19	040-0010-23	Screw	2
2	045-0001-01	Washer	4	20	053-0029-00	Treatment Pan	1
3	057-0004-00	Lift Support Rod	1	21	029-0159-00	Footrest Shelf Trim Assembly	1
4	051-0132-00	Lift Lever	1	22	040-0010-74	Screw	2
5	025-0003-00	Lift Spring	2	23	045-0001-04	Lockwasher	1
6	016-0008-00	Eye Bolt	2	24	050-0101-00	Back Lock Spring Retainer	1
7	045-0001-02	Washer	2	25	025-0008-00	Back Lock Spring	2
8	041-0250-05	Wing Nut	2	26	051-0002-00	Back Lock	1
9	029-0305-00	Cover Assy. (Right Hand Tables Only) .	1	27	042-0003-00	Cotter Pin	1
	029-0305-01	Cover Assy. (Left Hand Tables Only)	1	28		Back Support Rod Assembly (Refer to	
10	040-0010-00	Screw	16			"Table Top Components" Elsewhere) . Ref	
11	050-0180-00	End Cap	1	29	040-0250-00	Set Screw	2
12	040-0250-05	Set Screw	2	30	030-0179-00	R.H. Upper Wrap Weldment (Shown)	1
13	021-0001-01	Back Lock Lever	2		030-0179-01	L.H. Upper Wrap Weldment	1
14	053-0068-01	Snap Bushing	2	31	030-0181-00	Foot Rest Weldment	1
15	042-0010-03	Pop Rivet	2	32	041-0010-02	Nut	2
16	057-0003-00	Back Lock Rod	1	33	053-0082-00	Pivot Boss	2
17	053-0014-00	Self Stick Bumper	2	34	061-0004-00	Stirrup Instruction Tag	1
18		Pelvic Tilt Mechanism (Refer to "Pelvic	Ref	35		Stirrup Assembly (Refer to "Stirrup	Ref
		Tilt Assembly" Elsewhere)				Assembly" Elsewhere)	

Always Specify Model & Serial Number

Upper Wrap Components

SECTION VI PARTS LIST



Burnt Umber

MA391500

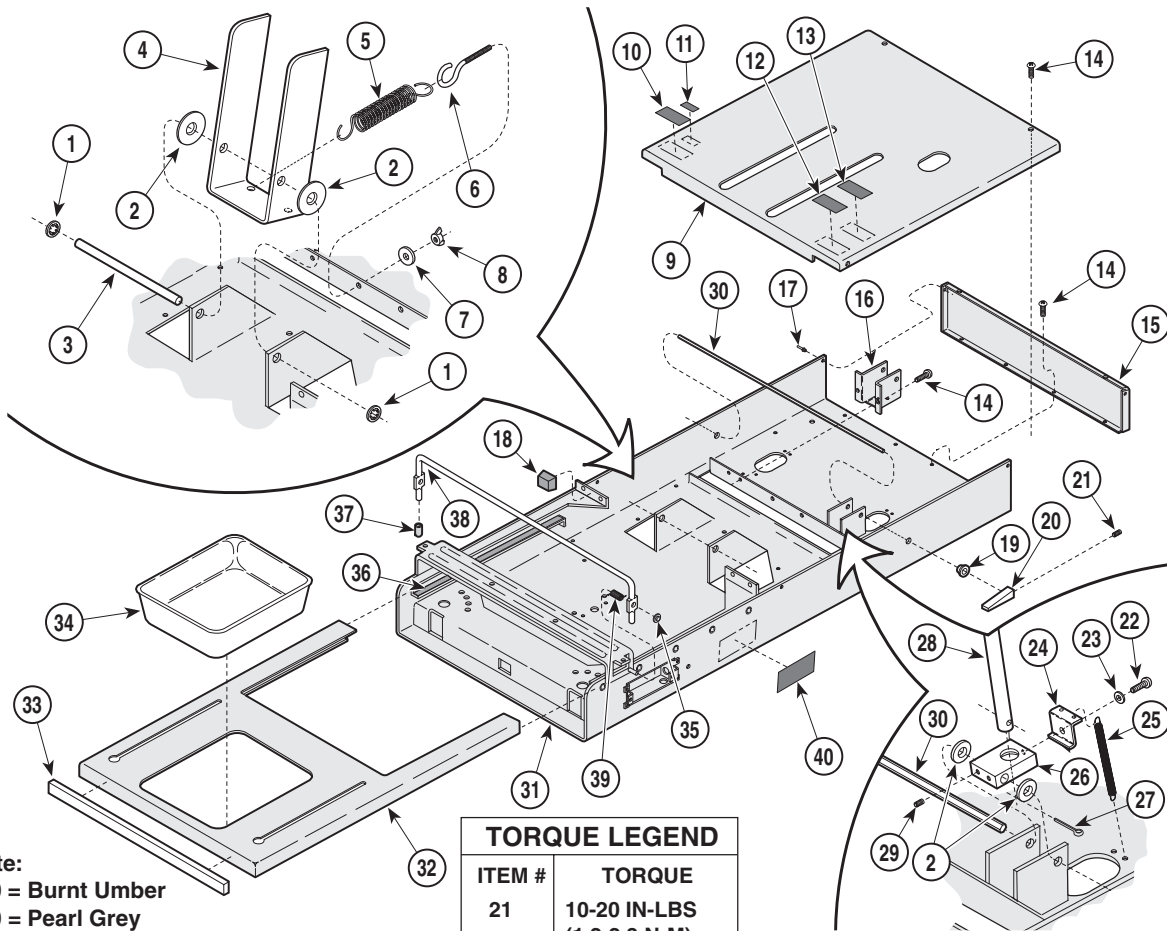
Used on units with Serial Number AE14018 thru Present

Item	Part No.	Description	Qty.	Item	Part No.	Description	Qty.
1	042-0004-00	Hitch pin	2	19	040-0010-23	Screw	2
2	045-0001-01	Washer	4	20	053-0220-01	Treatment Pan	1
3	057-0004-00	Lift Support Rod	1	21	029-0159-00	Footrest Shelf Trim Assembly	1
4	051-0132-00	Lift Lever	1	22	040-0010-74	Screw	2
5	025-0003-00	Lift Spring	2	23	045-0001-04	Lockwasher	1
6	016-0008-00	Eye Bolt	2	24	050-0101-00	Back Lock Spring Retainer	1
7	045-0001-02	Washer	2	25	025-0008-00	Back Lock Spring	2
8	041-0250-05	Wing Nut	2	26	051-0002-00	Back Lock	1
9	029-0305-00	Cover Assy. (Right Hand Tables Only) .	1	27	042-0003-00	Cotter Pin	1
	029-0305-01	Cover Assy. (Left Hand Tables Only)	1	28		Back Support Rod Assembly (Refer to "Table Top Components" Elsewhere) .	Ref
10	040-0010-00	Screw	16	29	040-0250-00	Set Screw	2
11	050-0180-00	End Cap	1	30	030-0179-00	R.H. Upper Wrap Weldment (Shown)	1
12	040-0250-05	Set Screw	2		030-0179-01	L.H. Upper Wrap Weldment	1
13	021-0001-01	Back Lock Lever	2	31	030-0670-00	Foot Rest Weldment	1
14	053-0068-01	Snap Bushing	2	32	041-0010-02	Nut	2
15	042-0010-03	Pop Rivet	2	33	053-0082-00	Pivot Boss	2
16	057-0003-00	Back Lock Rod	1	34	061-0004-00	Stirrup Instruction Tag	1
17	053-0014-00	Self Stick Bumper	2	35		Stirrup Assembly (Refer to "Stirrup Assembly" Elsewhere)	Ref
18		Pelvic Tilt Mechanism (Refer to "Pelvic Tilt Assembly" Elsewhere)	Ref				

Always Specify Model & Serial Number

Upper Wrap Components

SECTION VI PARTS LIST



Color Note:
 _*-00 = Burnt Umber
 _*-10 = Pearl Grey
 _*-20 = Warm Grey

TORQUE LEGEND	
ITEM #	TORQUE
21	10-20 IN-LBS (1.2-2.3 N•M)

MA477300

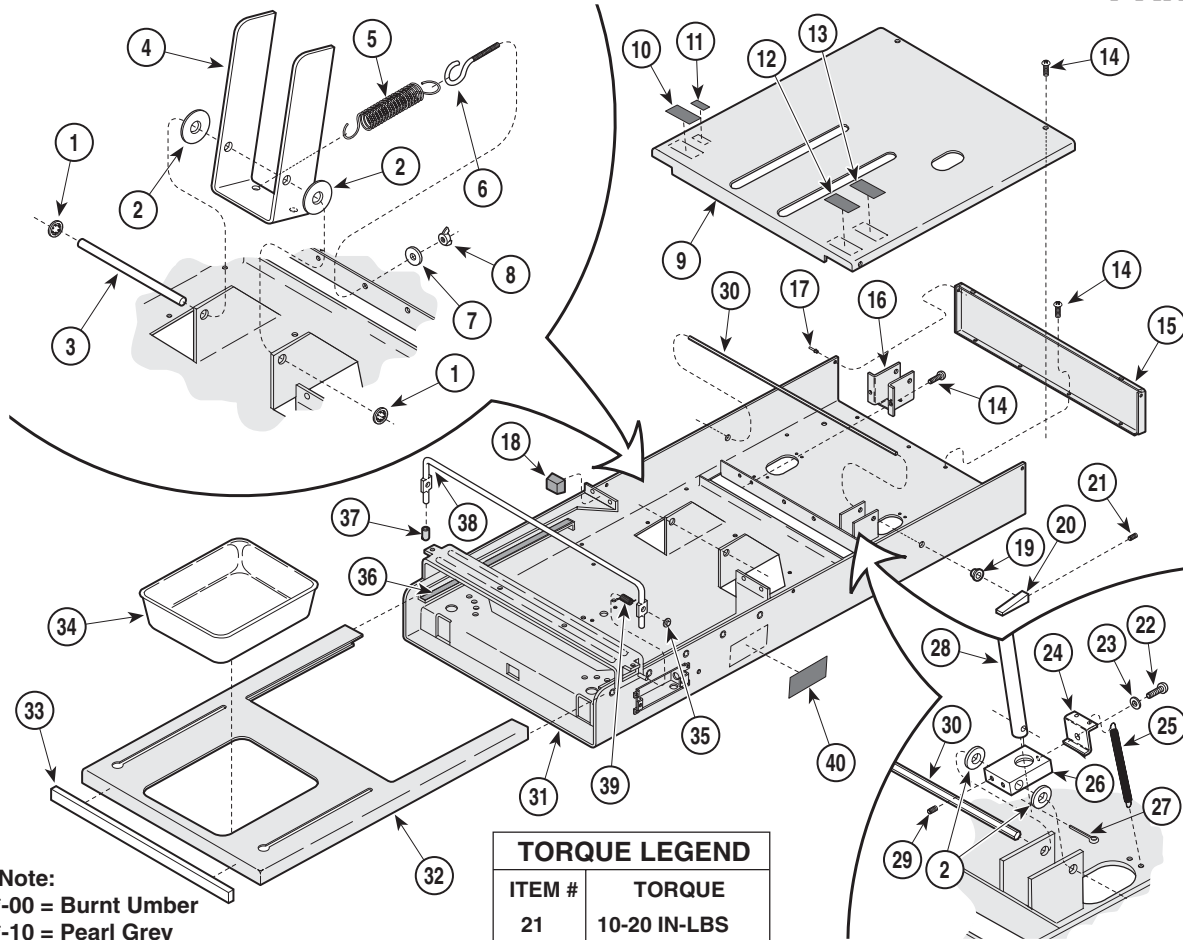
Used on units with Serial Number BS1000 thru BS63304, CD1000 thru CD84112, DD1000 thru DD4030, EB1000 thru EB1421 and FC1000 thru FC1334

Item	Part No.	Description	Qty.	Item	Part No.	Description	Qty.
1	042-0159-00	Push-on Retaining Ring	2	21	040-0250-05	Set Screw	2
2	045-0001-01	Washer	4	22	040-0010-74	Screw	1
3	057-0436-00	Lift Support Rod	1	23	045-0001-04	Lockwasher	1
4	051-0132-x0	Lift Lever [See Color Note for "X"]	1	24	050-0101-00	Back Lock Spring Retainer	1
5	025-0003-00	Lift Spring	2	25	025-0008-00	Back Lock Spring	2
6	016-0008-00	Eye Bolt	2	26	051-0002-00	Back Lock	1
7	045-0001-02	Washer	2	27	042-0003-00	Cotter Pin	1
8	041-0250-05	Wing Nut	2	28		Back Support Rod Assembly (Refer to "Table Top Components" Elsewhere) . Ref	
9	029-0305-00	R.H. Cover Assy. [Burnt Umber](Shown) 1		29	040-0250-00	Set Screw	2
	029-0305-01	L.H. Cover Assy. [Burnt Umber]	1	30	057-0003-00	Back Lock Rod	1
	029-0305-02	R.H. Cover Assy. [Warm Grey](Shown) . 1		31	030-0731-x0	Upper Wrap Weldment [See Color Note for "X"]	1
	029-0305-03	L.H. Cover Assy. [Warm Grey]	1	32	030-0670-x0	Foot Rest Wldt. [See Color Note for "X"] . 1	
	029-0305-04	R.H. Cover Assy. [Pearl Grey](Shown) .. 1		33	029-0159-00	Foot Rest Trim	1
	029-0305-05	L.H. Cover Assy. [Pearl Grey]	1	34	053-0220-01 9A70000	Treatment Pan	1
10		Serial Number Label	Ref			Stainless Steel Treatment Pan (Optional Accessory)	1
11	061-0291-00	Patent Number Label	1	35	041-0009-00	Push Nut	2
12	061-0620-00	U.L. / C.U.L. Listing Label	1	36	053-0018-00	Nylo Tape (Listed In Inches)	46
13	061-0506-00	C.S.A. Label (Units w/o Heaters Only) ... 1		37	053-0268-00	End Cap (Units w/ Pelvic Lift Only)	2
14	040-0010-00	Screw	16	38	057-0242-x0	Pelvic Lift Bar (Units w/ Pelvic Lift Only) [See Color Note for "X"]	1
15	050-0180-x0	End Cap [See Color Note for "X"]	1	39	016-0284-01	R.H. Spring(Used on Left Side[Shown]) . 1	
16	050-1651-x0	Lock Bracket (Left Hand Tables Only) [See Color Note for "X"]	1		016-0284-00	L.H. Spring(Used on Right Side)	1
17	042-0010-03	Pop Rivet	2	40	061-0628-00	CautionLabel (Units w/o Heaters Only) ... 1	
18	053-0014-00	Self Sticking Bumper	4				
19	053-0068-01	Snap Bushings	2				
20	021-0001-01	Back Lock Lever	2				

Always Specify Model & Serial Number

Upper Wrap Components

SECTION VI PARTS LIST



Color Note:
 _*-00 = Burnt Umber
 _*-10 = Pearl Grey
 _*-20 = Warm Grey

TORQUE LEGEND	
ITEM #	TORQUE
21	10-20 IN-LBS (1.2-2.3 N•M)

MA477300

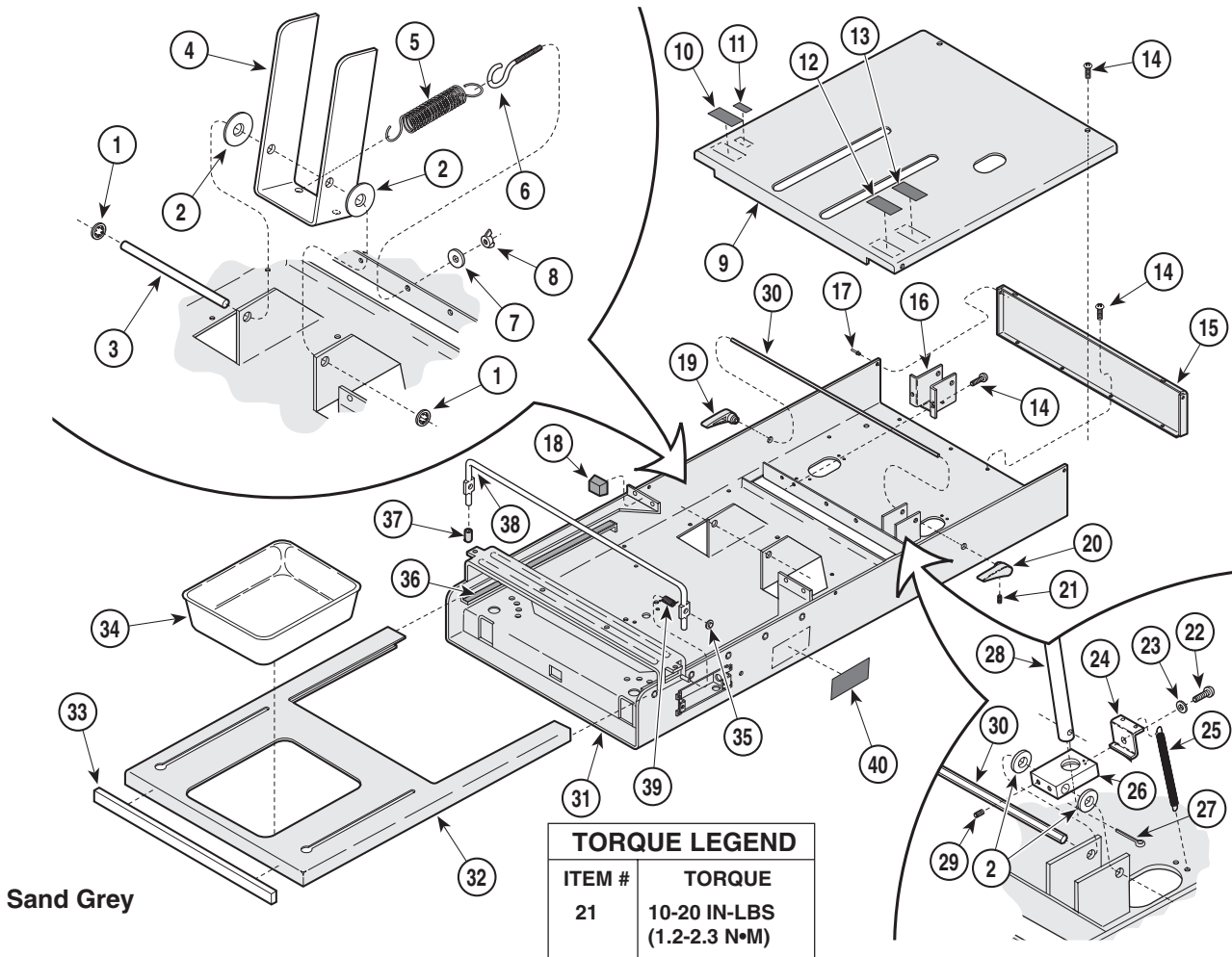
**Used on units with Serial Number BS63305, CD84113, DD4031,
EB1422 and FC1335 thru Present**

Item	Part No.	Description	Qty.	Item	Part No.	Description	Qty.
1	042-0159-00	Push-on Retaining Ring	2	21	040-0250-05	Set Screw	2
2	045-0001-01	Washer	4	22	040-0010-74	Screw	1
3	057-0436-00	Lift Support Rod	1	23	045-0001-04	Lockwasher	1
4	051-0132-x0	Lift Lever [See Color Note for "X"]	1	24	050-0101-00	Back Lock Spring Retainer	1
5	025-0003-00	Lift Spring	2	25	025-0008-00	Back Lock Spring	2
6	016-0008-00	Eye Bolt	2	26	051-0002-00	Back Lock	1
7	045-0001-02	Washer	2	27	042-0003-00	Cotter Pin	1
8	041-0250-05	Wing Nut	2	28		Back Support Rod Assembly (Refer to "Table Top Components" Elsewhere) . Ref	
9	029-0305-00	R.H. Cover Assy. [Burnt Umber](Shown) 1		29	040-0250-00	Set Screw	2
	029-0305-01	L.H. Cover Assy. [Burnt Umber]	1	30	057-0003-00	Back Lock Rod	1
	029-0305-02	R.H. Cover Assy. [Warm Grey](Shown) . 1		31	030-0731-x0	Upper Wrap Weldment [See Color Note for "X"]	1
	029-0305-03	L.H. Cover Assy. [Warm Grey]	1	32	030-1034-x0	Foot Rest Wldt. [See Color Note for "X"] . 1	
	029-0305-04	R.H. Cover Assy. [Pearl Grey](Shown) .. 1		33	029-0159-00	Foot Rest Trim	1
	029-0305-05	L.H. Cover Assy. [Pearl Grey]	1	34	053-0220-01 9A70000	Treatment Pan	1
10		Serial Number Label	Ref			Stainless Steel Treatment Pan (Optional Accessory)	1
11	061-0291-00	Patent Number Label	1	35	041-0009-00	Push Nut	2
12	061-0620-00	U.L. / C.U.L. Listing Label	1	36	053-0018-00	Nylo Tape (Listed In Inches)	46
13	061-0506-00	C.S.A. Label (Units w/o Heaters Only) ... 1		37	053-0268-00	End Cap (Units w/ Pelvic Lift Only)	2
14	040-0010-00	Screw	16	38	057-0242-x0	Pelvic Lift Bar (Units w/ Pelvic Lift Only) [See Color Note for "X"]	1
15	050-0180-x0	End Cap [See Color Note for "X"]	1	39	016-0284-01	R.H. Spring(Used on Left Side[Shown]) . 1	
16	050-1651-x0	Lock Bracket (Left Hand Tables Only) [See Color Note for "X"]	1		016-0284-00	L.H. Spring(Used on Right Side)	1
17	042-0010-03	Pop Rivet	2	40	061-0628-00	CautionLabel (Units w/o Heaters Only) ... 1	
18	053-0014-00	Self Sticking Bumper	4				
19	053-0068-01	Snap Bushings	2				
20	021-0001-01	Back Lock Lever	2				

Always Specify Model & Serial Number

Upper Wrap Components

SECTION VI PARTS LIST



Sand Grey

MA355000

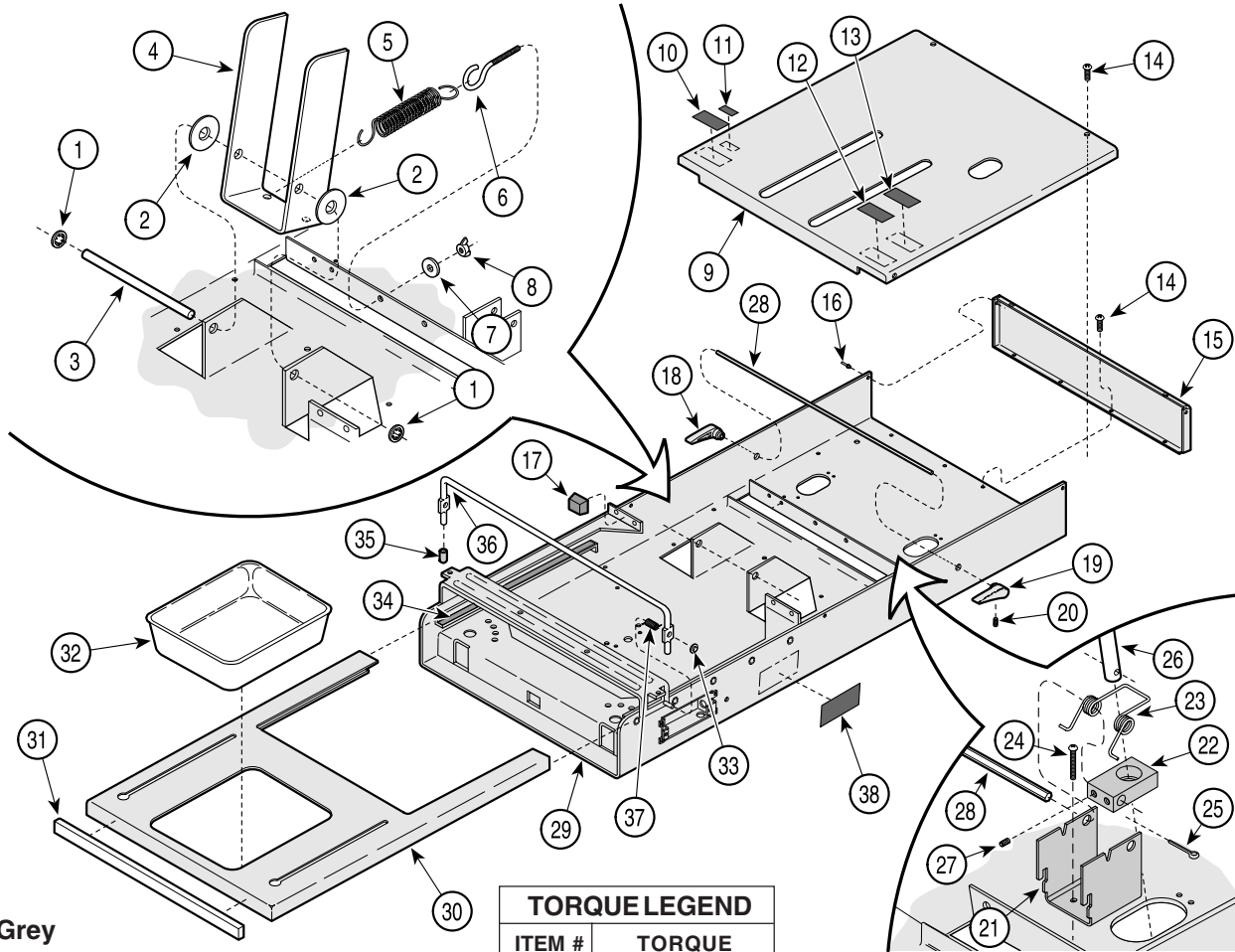
Used on units with Serial Number GP1000 and GR1000 thru Present; KC1000, KD1000, KE1000, and KF1000 thru KC18781, KD4112, KE33948 and KF7007

Item	Part No.	Description	Qty.	Item	Part No.	Description	Qty.
1	042-0159-00	Push-on Retaining Ring	2	24	050-0101-00	Back Lock Spring Retainer	1
2	045-0001-01	Washer	4	25	025-0008-00	Back Lock Spring	2
3	057-0436-00	Lift Support Rod	1	26	051-0002-00	Back Lock	1
4	051-0132-40	Lift Lever	1	27	042-0003-00	Cotter Pin	1
5	025-0003-00	Lift Spring	2	28		Back Support Rod Assembly (Refer to "Table Top Components" Elsewhere) .	Ref
6	016-0008-00	Eye Bolt	2	29	040-0250-00	Set Screw	2
7	045-0001-02	Washer	2	30	057-0435-40	Back Lock Rod	1
8	041-0250-05	Wing Nut	2	31	030-0731-40	Upper Wrap Weldment	1
9	029-0305-06	Cover Assy. (Right Hand Tables Only) .	1	32	030-1034-40	Foot Rest Weldment	1
	029-0305-07	Cover Assy. (Left Hand Tables Only)	1	33	053-0980-00	Foot Rest Trim (Attaches w/ Pop Rivets)	1
10		Serial Number Label	Ref		042-0010-03	Pop Rivet	2
11	061-0291-00	Patent Number Label	1	34	053-0220-01	Treatment Pan	1
12	061-0620-00	U.L. / C.U.L. Listing Label	1		9A70000	Stainless Steel Treatment Pan (Optional Accessory)	1
13	061-0506-00	C.S.A. Label (Units w/o Heaters Only) ...	1	35	041-0009-00	Push Nut	2
14	040-0010-18	Screw	16	36	053-0018-00	Nylo Tape (Listed In Inches)	46
15	050-0180-40	End Cap	1	37	053-0268-00	End Cap (Units w/ Pelvic Lift Only)	2
16	050-1651-40	Lock Bracket (Left Hand Tables Only) ..	1	38	057-0242-40	Pelvic Lift Bar (Units w/ Pelvic Lift Only) .	1
17	042-0010-03	Pop Rivet	4	39	016-0284-01	R.H. Spring(Used on Left Side[Shown]) .	1
18	053-0014-00	Self Sticking Bumper	4		016-0284-00	L.H. Spring(Used on Right Side)	1
19	053-0844-00	R.H. Back Lock Handle	1	40	061-0628-00	Caution / Attention Label (Used only on units w/o Heaters)	1
20	053-0844-01	L.H. Back Lock Handle	1				
21	040-0250-15	Set Screw	2				
22	040-0010-74	Screw	1				
23	045-0001-04	Lockwasher	1				

Always Specify Model & Serial Number

Upper Wrap Components

SECTION VI PARTS LIST



Sand Grey

TORQUE LEGEND	
ITEM #	TORQUE
20	10-20 IN-LBS (1.2-2.3 N•M)

MA355001

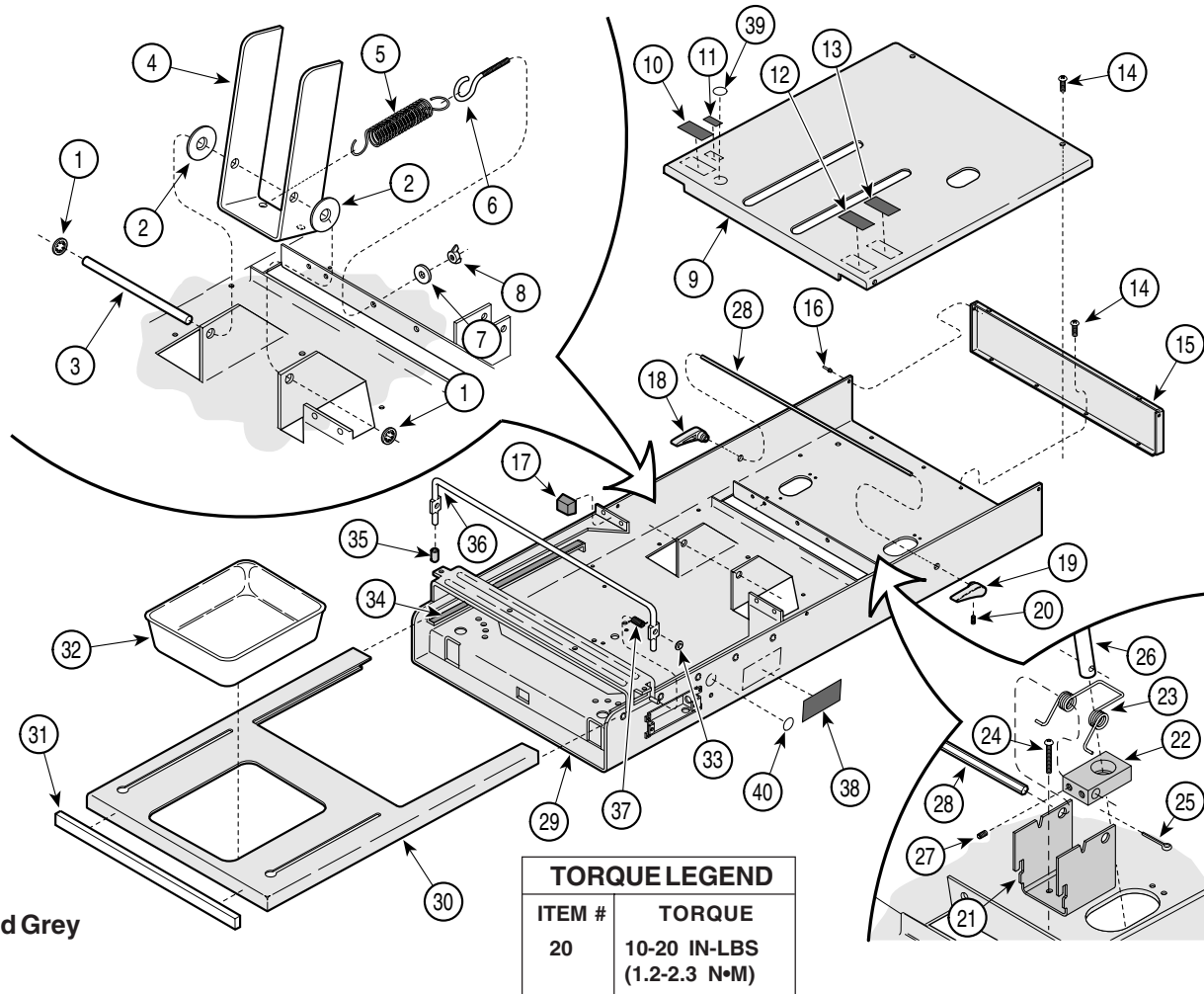
Used on units with Serial Number KC18782 thru KC42104, KD4113 thru KD8364, KE33949 thru KE58103, and KF7008 thru KF11635

Item	Part No.	Description	Qty.	Item	Part No.	Description	Qty.
1	042-0159-00	Push-on Retaining Ring	2	23	025-0063-00	Back Lock Spring	1
2	045-0001-01	Washer	2	24	040-0010-00	Screw	2
3	057-0436-00	Lift Support Rod	1	25	042-0003-00	Cotter Pin	1
4	051-0132-40	Lift Lever	1	26		Back Support Rod Assembly (Refer to "Table Top Components" Elsewhere) . Ref	
5	025-0003-00	Lift Spring	2	27	040-0250-00	Set Screw	2
6	016-0008-00	Eye Bolt	2	28	057-0435-40	Back Lock Rod	1
7	045-0001-02	Washer	2	29	030-1286-40	Upper Wrap Weldment	1
8	041-0250-05	Wing Nut	2	30	030-1034-40	Foot Rest Weldment	1
9	029-0305-06	Cover Assy. (Right Hand Tables Only) .	1	31	053-0980-00	Foot Rest Trim (Attaches w/ Pop Rivets)	1
	029-0305-07	Cover Assy. (Left Hand Tables Only)	1		042-0010-03	Pop Rivet	2
10		Serial Number Label	Ref	32	053-0220-01	Treatment Pan	1
11	061-0291-00	Patent Number Label	1		9A70000	Stainless Steel Treatment Pan (Optional Accessory)	1
12	061-0620-00	U.L. / C.U.L. Listing Label	1	33	041-0009-00	Push Nut	2
13	061-0506-00	C.S.A. Label (Units w/o Heaters Only) ...	1	34	053-0018-00	Nylo Tape (Listed In Inches)	46
14	040-0010-00	Screw	20	35	053-0268-00	End Cap (Units w/ Pelvic Lift Only)	2
15	050-0180-40	End Cap	1	36	057-0242-40	Pelvic Lift Bar (Units w/ Pelvic Lift Only) .	1
16	042-0010-03	Pop Rivet	4	37	016-0284-01	R.H. Spring(Used on Left Side[Shown]) .	1
17	053-0014-00	Self Sticking Bumper	4		016-0284-00	L.H. Spring(Used on Right Side)	1
18	053-0844-00	R.H. Back Lock Handle	1	38	061-0628-00	Caution / Attention Label (Used only on units w/o Heaters)	1
19	053-0844-01	L.H. Back Lock Handle	1				
20	040-0250-15	Set Screw	2				
21	050-4723-00	Back Lock Spring Retainer	1				
22	051-0926-00	Back Lock	1				

Always Specify Model & Serial Number

Upper Wrap Components

SECTION VI PARTS LIST



MA355002i

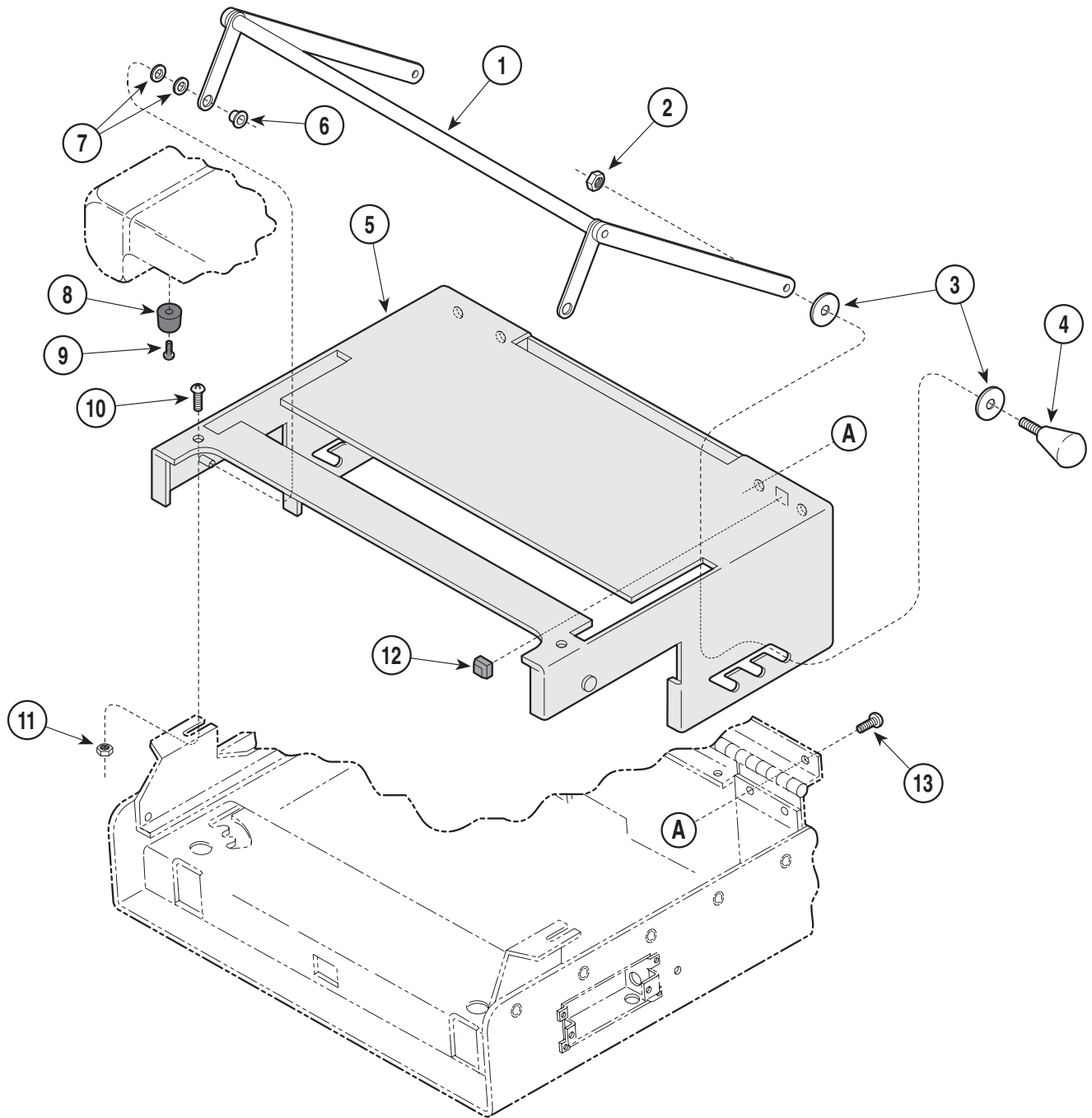
**Used on units with Serial Number KC42105, KD8365, KE58104 & KF11636 thru Present
Units with Serial Number V2200 thru Present**

Item	Part No.	Description	Qty.	Item	Part No.	Description	Qty.
1	042-0159-00	Push-on Retaining Ring	2	22	051-0926-00	Back Lock	1
2	045-0001-01	Washer	2	23	025-0063-00	Back Lock Spring	1
3	057-0436-00	Lift Support Rod	1	24	040-0010-00	Screw	2
4	051-0132-40	Lift Lever	1	25	042-0003-00	Cotter Pin	1
5	025-0003-00	Lift Spring	2	26		Back Support Rod Assembly (Refer to "Table Top Components" Elsewhere) .	Ref
6	016-0008-00	Eye Bolt	2	27	040-0250-00	Set Screw	2
7	045-0001-02	Washer	2	28	057-0435-40	Back Lock Rod	1
8	041-0250-05	Wing Nut	2	29	030-1498-40	Upper Wrap Weldment	1
9	029-0305-06	Cover Assy. (Right Hand Tables Only) .	1	30	030-1034-40	Foot Rest Weldment	1
	029-0305-07	Cover Assy. (Left Hand Tables Only)	1	31	053-0980-00	Foot Rest Trim (Attaches w/ Pop Rivets)	1
10		Serial Number Label	Ref		042-0010-03	Pop Rivet	2
11	061-0291-00	Patent Number Label	1	32	053-0220-01	Treatment Pan	1
12		Regulatory Compliance Label	1		9A70000	Stainless Steel Treatment Pan (Optional)	1
13		Regulatory Compliance Label (Units w/o Heaters Only)	1	33	041-0009-00	Push Nut	2
14	040-0010-00	Screw	18	34	053-0018-00	Nylo Tape (Listed In Inches)	46
15	050-0180-40	End Cap (without holes {shown})	1	35	053-0268-00	End Cap (Units w/ Pelvic Lift Only)	2
	050-0180-41	End Cap (without circuit breaker holes) .	1	36	057-0242-40	Pelvic Lift Bar (Units w/ Pelvic Lift Only) .	1
16	042-0010-03	Pop Rivet	4	37	016-0284-01	R.H. Spring(Used on Left Side[Shown]) .	1
17	053-0014-00	Self Sticking Bumper	4		016-0284-00	L.H. Spring(Used on Right Side)	1
18	053-0844-00	R.H. Back Lock Handle	1	38	061-0628-00	Caution / Attention Label (Used only on units w/o Heaters)	1
19	053-0844-01	L.H. Back Lock Handle	1	39	061-0652-00	Type "B" Equipment Label (104-040/041)	1
20	040-0250-148	Set Screw	2	40	061-0653-00	Earth Ground Label (104-040/041 Only)	1
21	050-4723-00	Back Lock Spring Retainer	1				

Always Specify Model & Serial Number

Pelvic Tilt Assembly

SECTION VI PARTS LIST



MA324400

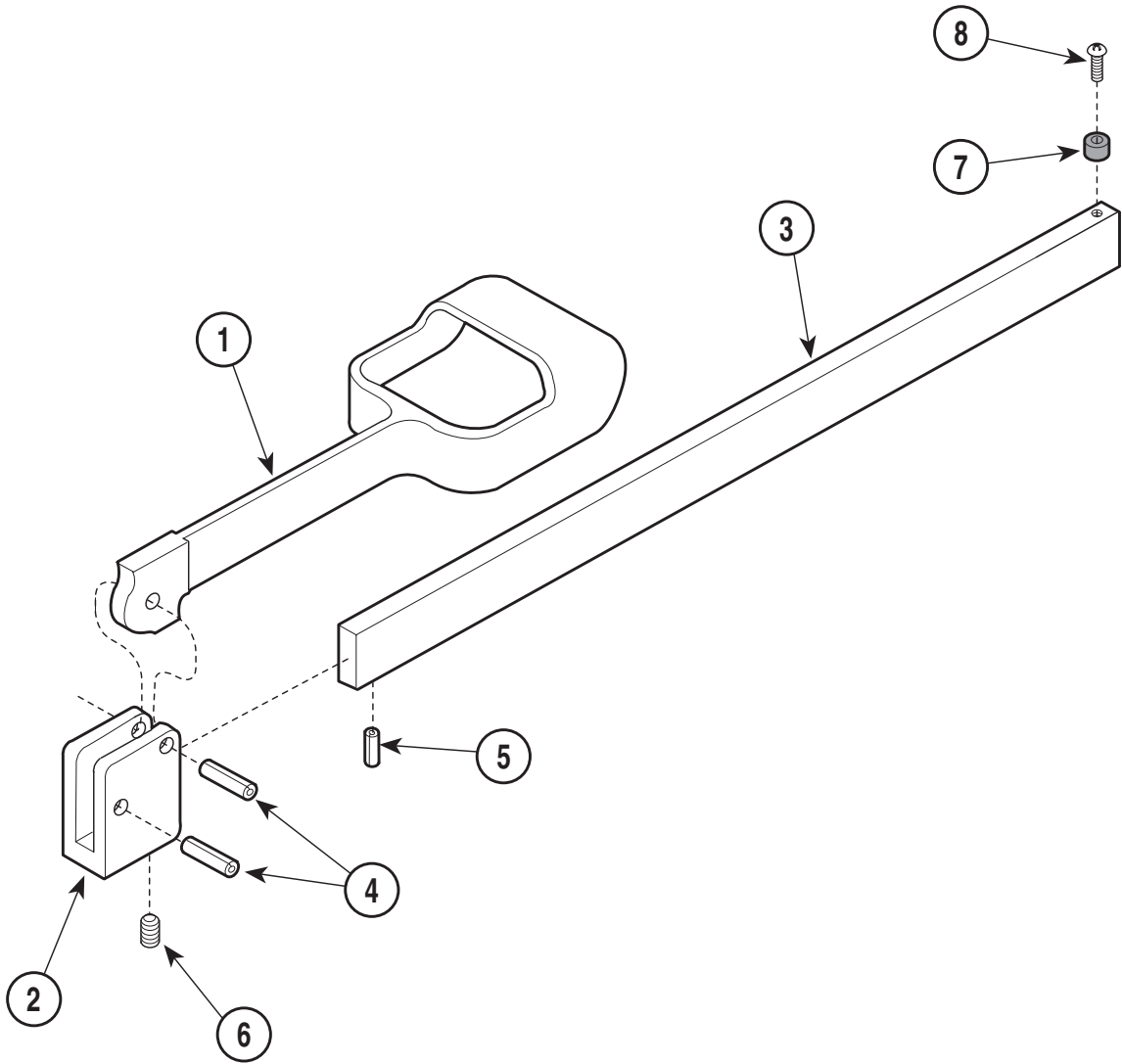
Used on units with Serial Number AE1000 thru Present

Item	Part No.	Description	Qty.	Item	Part No.	Description	Qty.
	029-0319-00	Pelvic Tilt Assembly (Includes Items 1 Thru 13)	1	7	•016-0132-00	• Thrust Bearing	4
1	•030-0257-00	• Pivot Arm Weldment	1	8	•053-0132-00	• Recess Bumper	2
2	•041-0312-06	• Jam Nut	2	9	•040-0006-14	• Screw	2
3	•053-0110-01	• Nylon Spacer	4	10	•040-0010-23	• Screw	2
4	•016-0184-00	• Lift Handle	2	11	•041-0010-02	• Nut	2
5	•030-0260-00	• Pelvic Tilt Housing Weldment	1	12	•053-0014-00	• Self Sticking Bumper	2
6	•016-0131-00	• Flanged Bearing	2	13	•040-0010-45	• Screw	4

Always Specify Model & Serial Number

Stirrup Assembly

SECTION VI PARTS LIST



MA268702

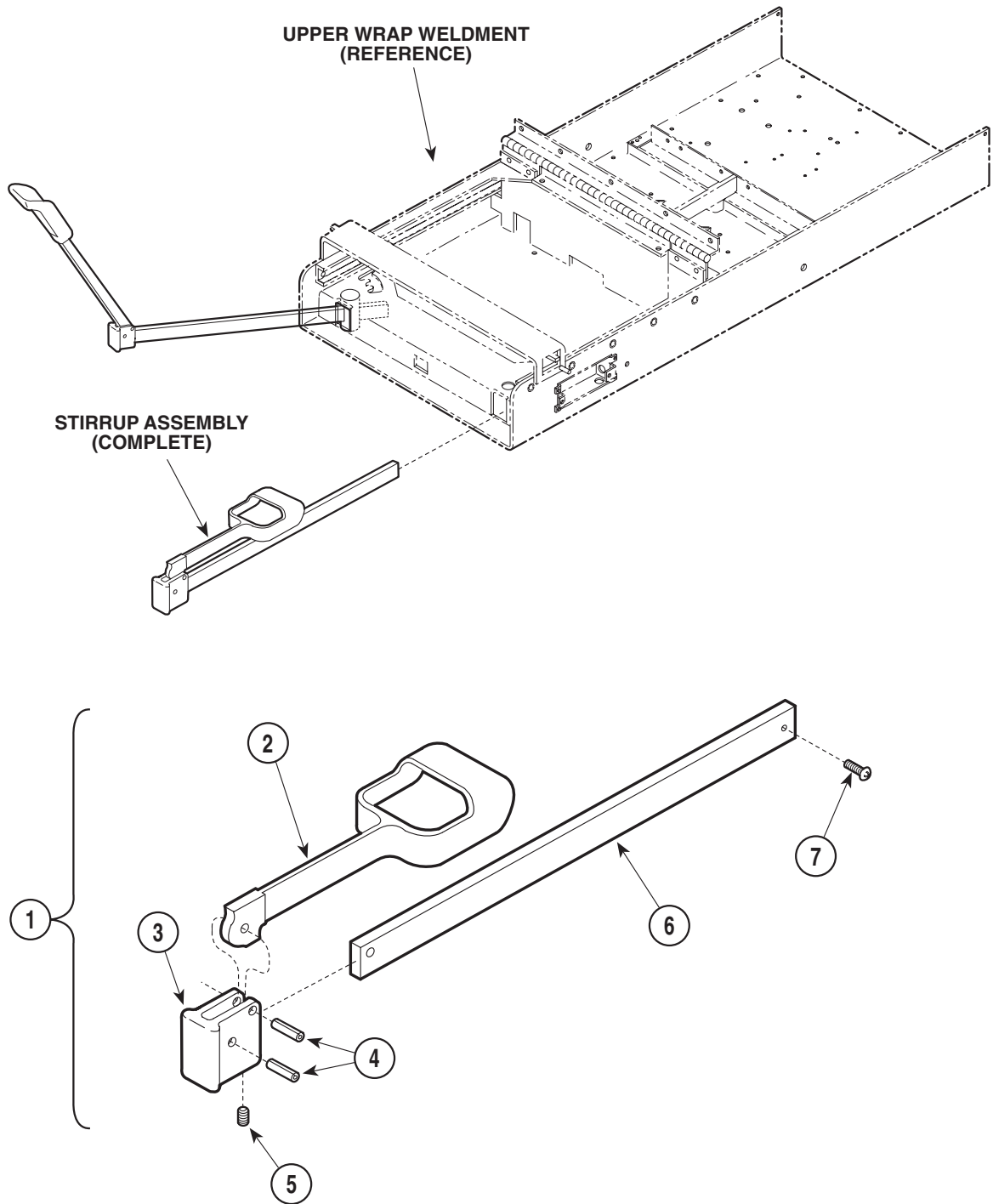
Used On Units With Serial Number AE1000 thru Present, BS1000 thru BS8278 and CD1000 thru CD1826

Item	Part No.	Description	Qty.	Item	Part No.	Description	Qty.
	029-0152-00	Stirrup Assembly (Includes Items 2 thru 8)	2	4	• 042-0001-00	• Roll Pin	2
1	• 020-0001-01	• Vinyl Coated Stirrup	1	5	• 042-0001-02	• Roll Pin	1
2	• 020-0012-00	• Pivot Block	1	6	• 040-0250-15	• Set Screw	1
3	• 051-0133-00	• Horizontal Bar	1	7	• 053-0081-00	• Nylon Spacer	1
				8	• 040-0250-01	• Screw	1

Always Specify Model & Serial Number

Stirrup Assembly

SECTION VI PARTS LIST



MA322600

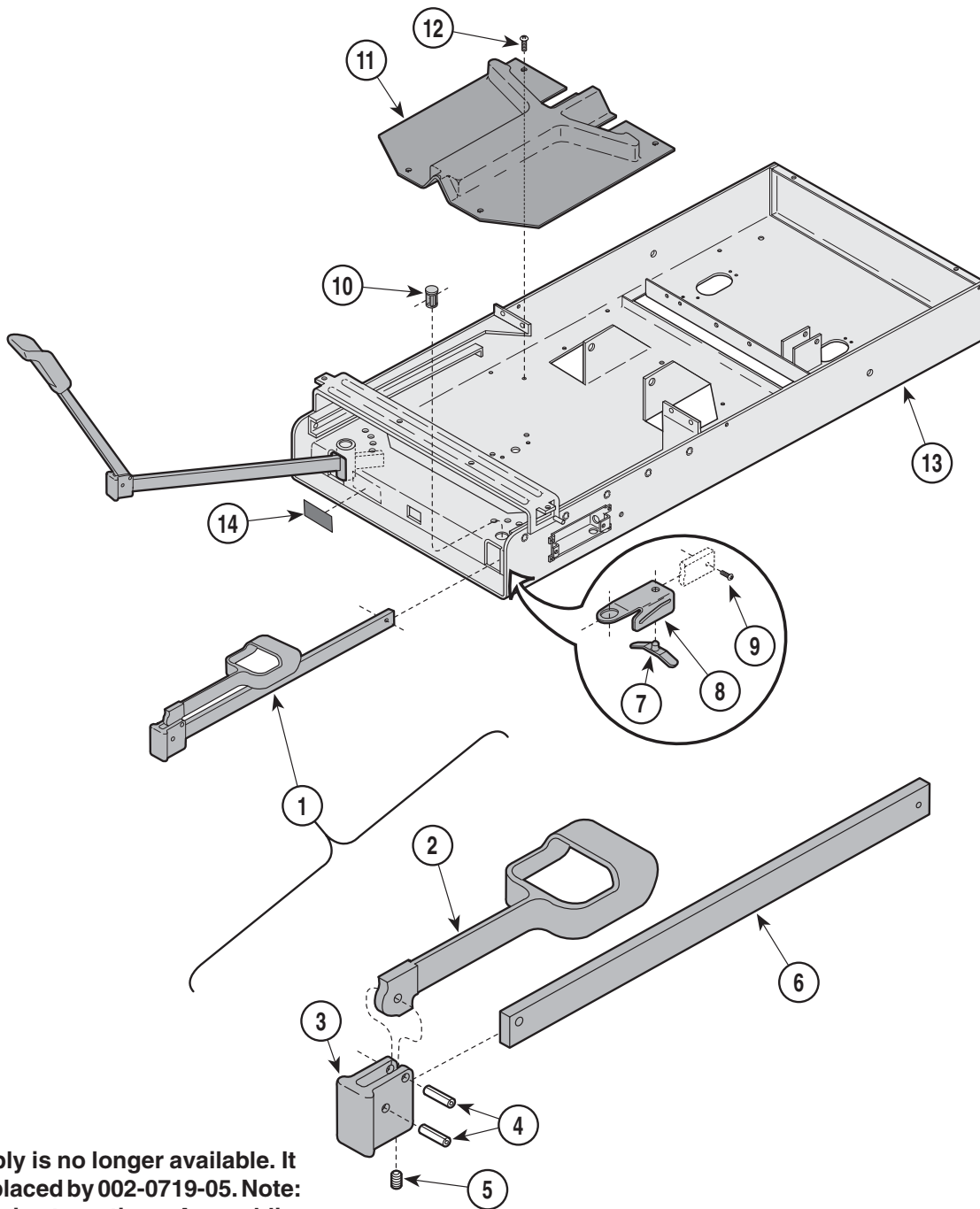
**Used On Units With Serial Number BS8279 thru BS20744,
CD1827 thru CD2710 and DD1000 thru DD1291**

Item	Part No.	Description	Qty.	Item	Part No.	Description	Qty.
1	029-1277-01	Stirrup Assembly (Includes Items 2 thru 6)	2	4	• 042-0001-00	• Roll Pin	2
2	• 020-0181-00	• Stirrup	1	5	• 040-0250-15	• Set Screw	1
3	• 020-0182-00	• Block, Pivot	1	6	• 051-0634-02	• Horizontal Bar	1
				7	040-0010-34	Screw	1

Always Specify Model & Serial Number

Stirrup Components

SECTION VI PARTS LIST



This assembly is no longer available. It has been replaced by 002-0719-05. Note: This kit contains two stirrup Assemblies.

MA342500

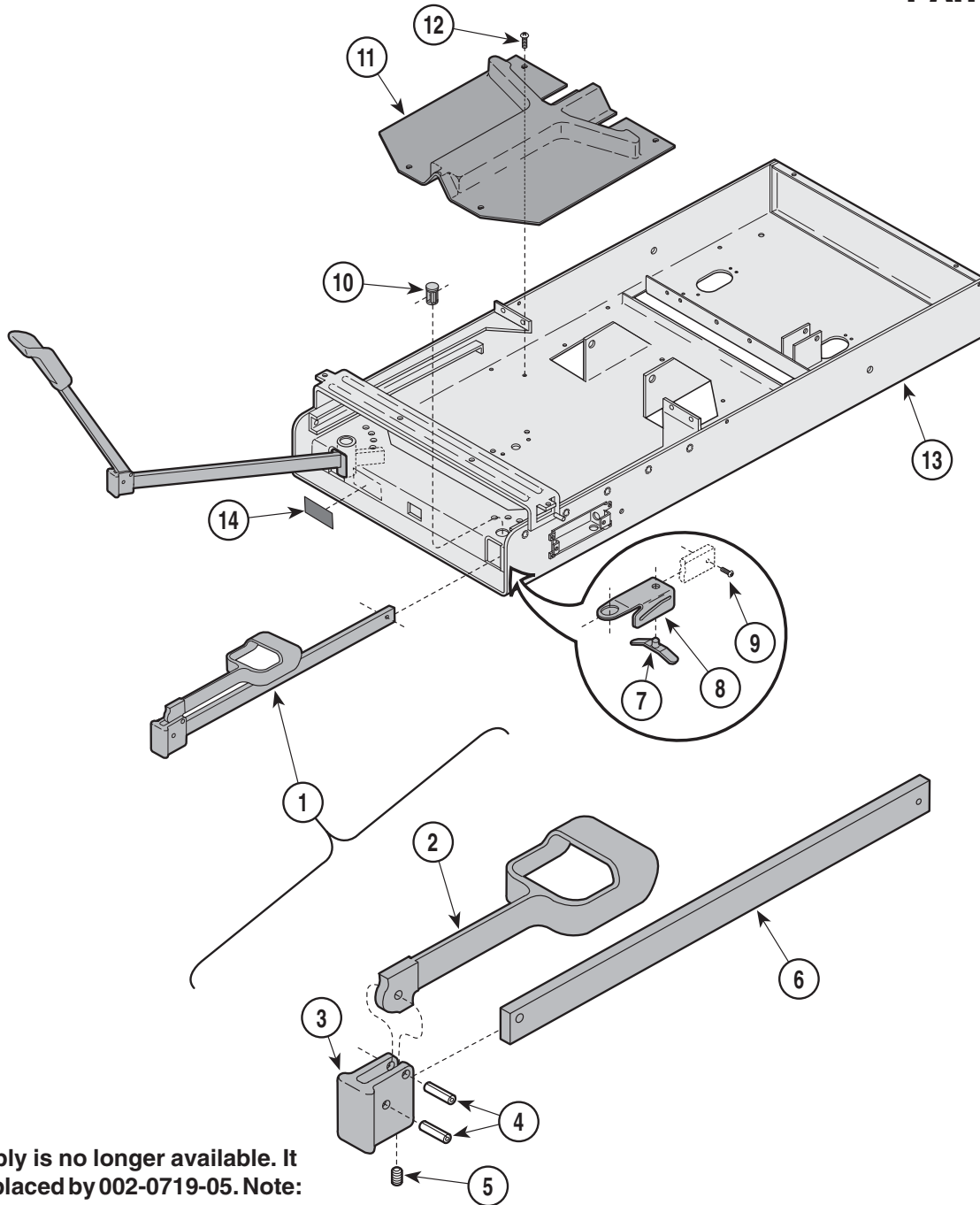
Used On Units With Serial Number BS20745, CD2711, DD1292, EB1000 and FC1000 thru Present

Item	Part No.	Description	Qty.	Item	Part No.	Description	Qty.
1	029-1397-01	Stirrup Assembly (Includes Items 2 thru 6)	2	8	050-1785-02	Stirrup Guide Bracket	2
2	• 020-0181-00	• Painted Stirrup	1	9	040-0010-47	Screw	2
3	• 020-0182-00	• Pivot Block	1	10	053-0387-00	Pivot Boss	2
4	• 042-0001-00	• Roll Pin	2	11	053-0380-00	Stirrup Guide	1
5	• 040-0250-15	• Set Screw	1	12	040-0010-00	Screw	4
6	• 051-0668-03	• Horizontal Bar	1	13		Upper Wrap (Refer to "Upper Wrap Assembly" Elsewhere)	Ref
7	016-0400-00	Stirrup Index Spring (Apply Lubricant #S006-00719)	2	14	061-0296-00	Stirrup Label	1

Always Specify Model & Serial Number

Stirrup Components

SECTION VI PARTS LIST



This assembly is no longer available. It has been replaced by 002-0719-05. Note: This kit contains two stirrup Assemblies.

MA342500

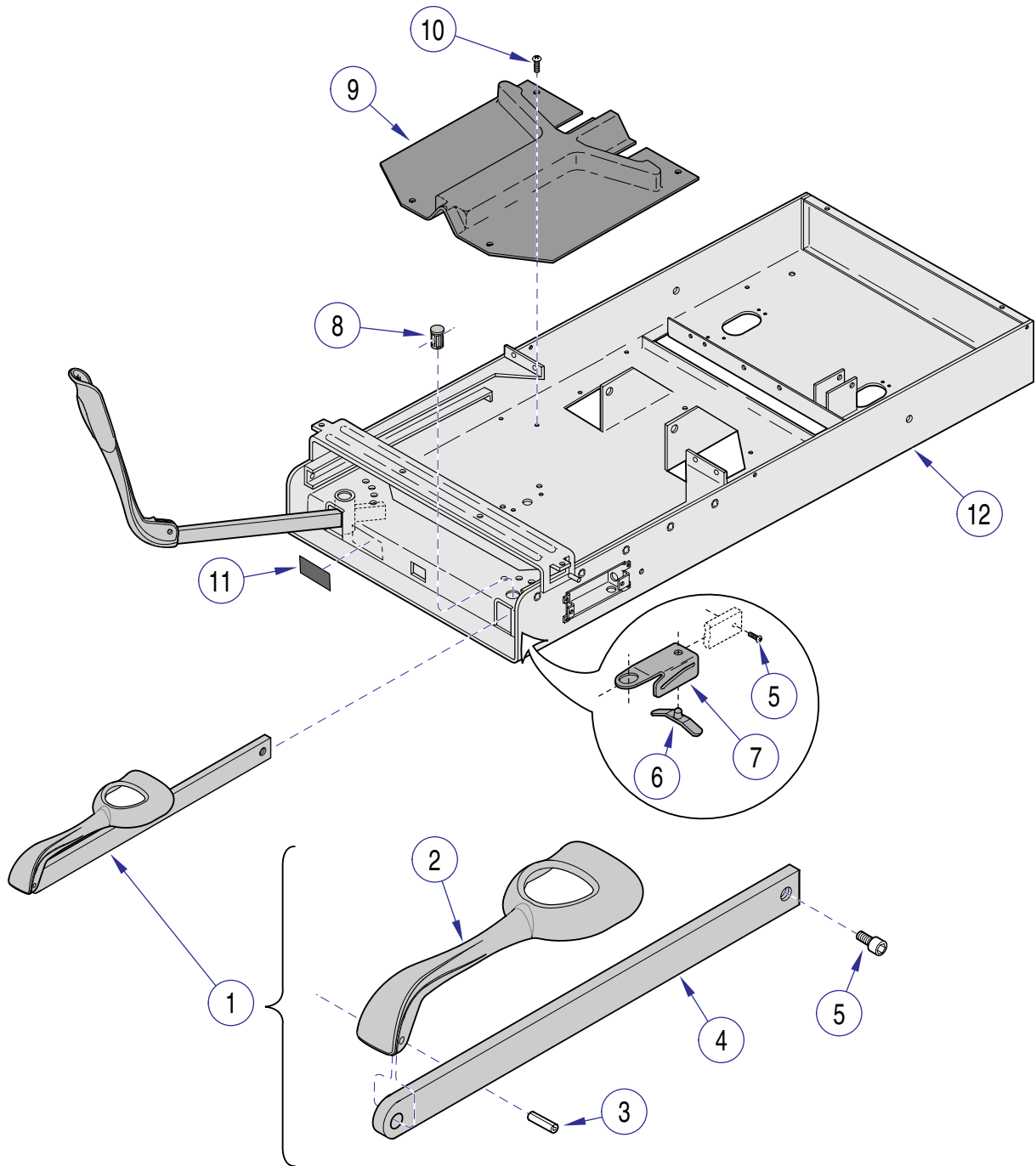
Used on units with Serial Number GP1000 and GR1000 thru Present; KC1000 thru KC33861, KD1000 thru KD7044, KE1000 thru KE51607 and KF1000 thru KF10220

Item	Part No.	Description	Qty.	Item	Part No.	Description	Qty.
1	029-1397-02	Stirrup Assembly (Includes Items 2 thru 6)	2	8	050-1785-02	Stirrup Guide Bracket	2
2	• 020-0181-30	• Painted Stirrup	1	9	040-0010-47	Screw	2
3	• 020-0182-30	• Pivot Block	1	10	053-0387-00	Pivot Boss	2
4	• 042-0001-00	• Roll Pin	2	11	053-0380-00	Stirrup Guide	1
5	• 040-0250-15	• Set Screw	1	12	040-0010-00	Screw	4
6	• 051-0668-03	• Horizontal Bar	1	13		Upper Wrap (Refer to "Upper Wrap Assembly" Elsewhere)	Ref
7	016-0400-00	Stirrup Index Spring (Apply Lubricant #S006-00719)	2	14	061-0296-00	Stirrup Label	1

Always Specify Model & Serial Number

Stirrup Components

SECTION VI PARTS LIST



MA6056001

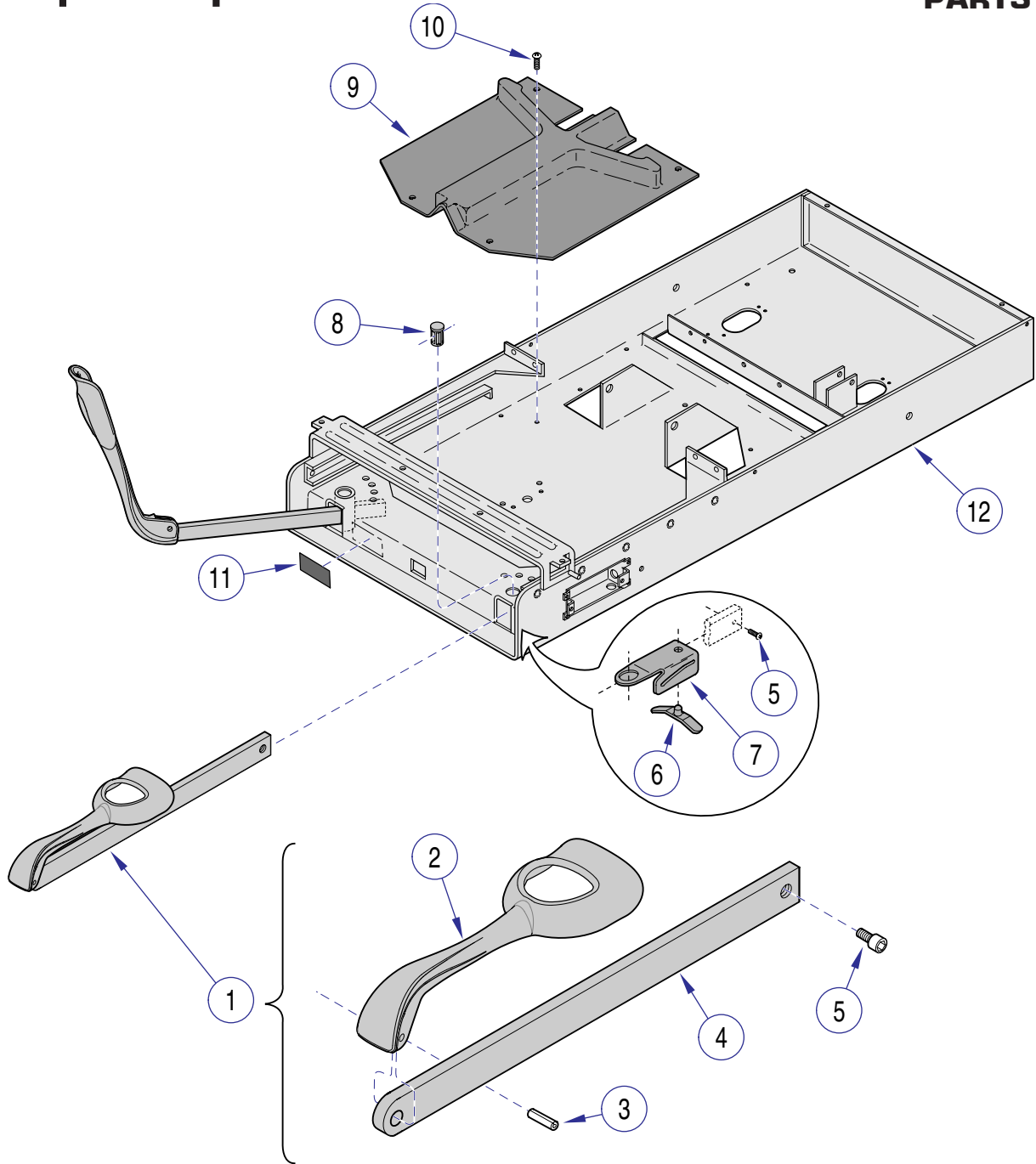
Used on units with Serial Number KC33862 thru KC42104,
KD7045 thru KD8364, KE51608 thru KE58103 and KF10221 thru KF11635

Item	Part No.	Description	Qty.	Item	Part No.	Description	Qty.
1	029-2951-03	Stirrup Assembly (Includes Items 2 thru 4)	2	7	050-5525-00	Stirrup Guide Bracket	2
2	• 020-0239-30	• Stirrup	1	8	053-0387-00	Pivot Boss	2
3	• 042-0001-00	• Roll Pin	1	9	053-0380-00	Stirrup Guide	1
4	• 051-1003-01	• Stirrup Bar	1	10	040-0010-00	Screw	4
5	040-0010-47	Screw	2	11		Upper Wrap (Refer to "Upper Wrap Assembly" Elsewhere)	Ref
6	016-0400-00	Stirrup Index Spring (Apply Lubricant #S006-00719)	2	12	061-0296-00	Stirrup Label	1

Always Specify Model & Serial Number

Stirrup Components

SECTION VI PARTS LIST



MA6056001

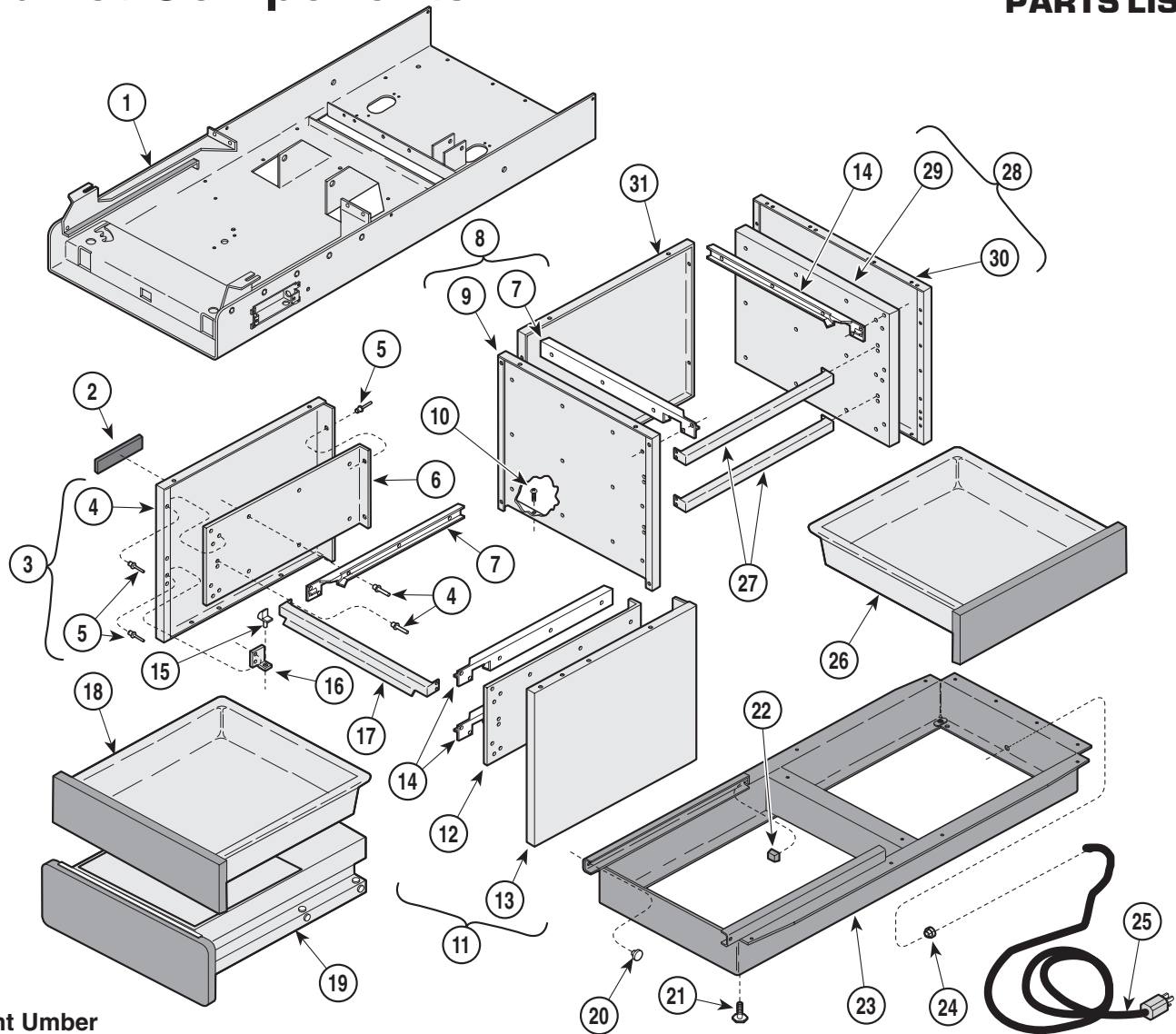
**Used on units with Serial Number KC42105, KD8365, KE58104 & KF11636 thru Present
Units with Serial Number V2200 thru Present**

Item	Part No.	Description	Qty.	Item	Part No.	Description	Qty.
1	029-2951-03	Stirrup Assembly (Includes Items 2 thru 4)	2	7	050-5525-00	Stirrup Guide Bracket	2
2	• 020-0239-30	• Stirrup	1	8	053-0387-00	Pivot Boss	2
3	• 042-0001-00	• Roll Pin	1	9	053-1391-00	Stirrup Guide	1
4	• 051-1003-01	• Stirrup Bar	1	10	040-0010-00	Screw	4
5	040-0010-47	Screw	2	11		Upper Wrap (Refer to "Upper Wrap Assembly" Elsewhere)	Ref
6	016-0400-00	Stirrup Index Spring (Apply Lubricant #S006-00719)	2	12	061-0296-00	Stirrup Label	1

Always Specify Model & Serial Number

Cabinet Components

SECTION VI PARTS LIST



Burnt Umber

MA355501

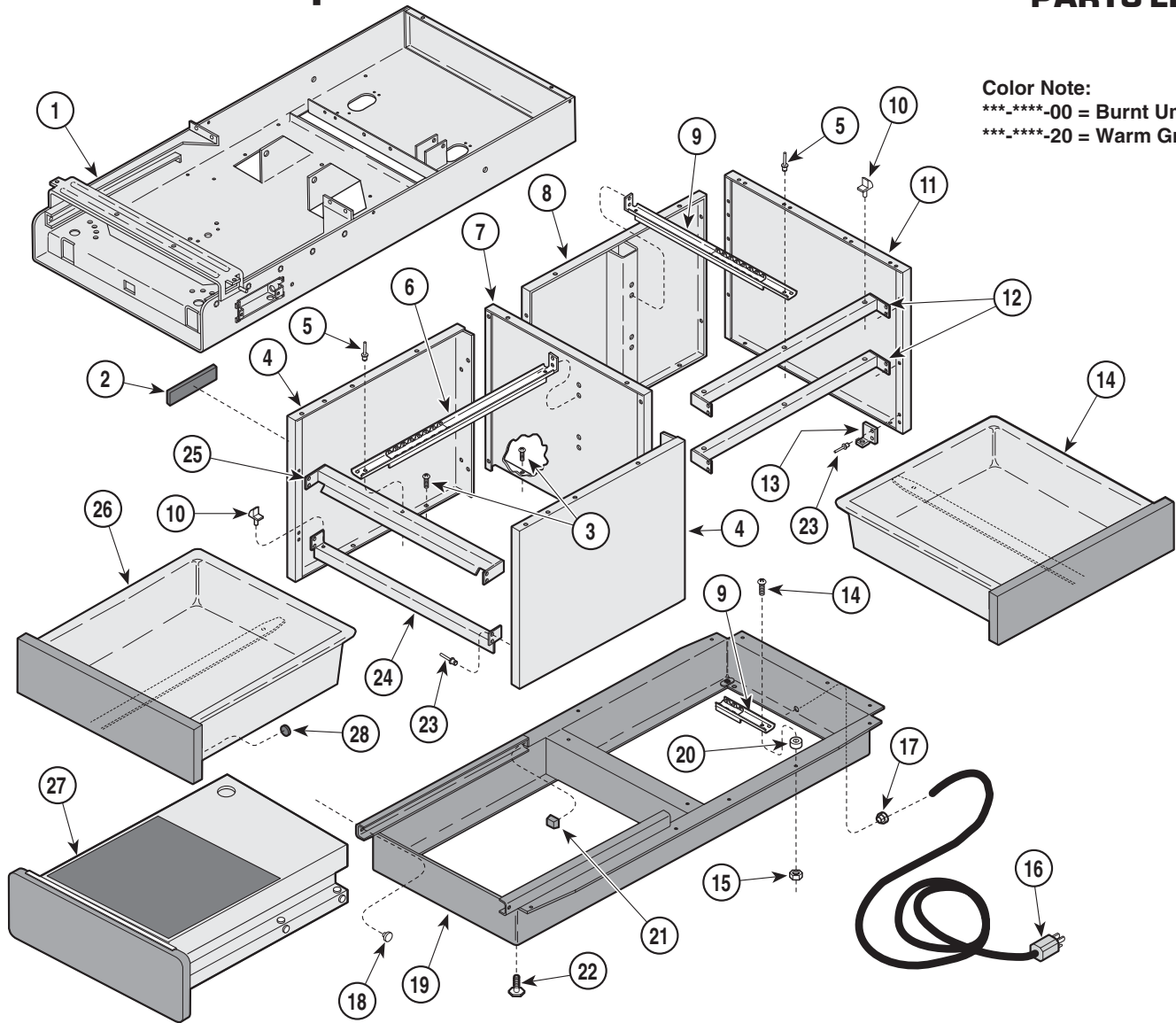
Used on units with Serial Number AE1000 thru Present

Item	Part No.	Description	Qty.	Item	Part No.	Description	Qty.
1		Upper Wrap (Refer to "Upper Wrap Assembly" Elsewhere)	Ref	17	050-0588-00	Mullion	1
2	061-0215-00	Nameplate Label	1	18		Drawer (Refer to "Drawer Assembly" Elsewhere)	Ref
3	029-0045-01	L.H. Front Support Assembly (Includes Items 4, 5, 6 & 7)	1	19		Step Assembly (Refer to "Step Assembly" Elsewhere)	Ref
4	• 050-0183-01	• L.H. Front Support	1	20	053-0001-00	Nylon Stem Bumper	2
5	• 042-0010-01	• Pop Rivet	70	21	016-0001-00	Leveling Screw	4
6	• 050-0608-01	• L.H. Front Runner Pan	1	22	053-0014-00	Self Sticking Bumper	2
7	• 053-0006-00	• L.H. Drawer Runner	4	23	030-0192-00	Base Weldment	1
8	029-0046-00	Center Support Assembly (Includes Items 4, 7 & 9)	1	24	015-0002-05	Strain Relief Bushing	1
9	• 050-0606-00	• Center Support	1	25		Power Cord Assembly (Refer to "Electrical Components" Elsewhere)	Ref
10	040-0010-00	Screw	28	26		Drawer (Refer to "Drawer Assembly" Elsewhere)	Ref
11	029-0045-00	R.H. Front Support Assembly (Includes Items 5, 12, 13 & 14)	1	27	050-0589-00	Mullion	2
12	• 053-0005-00	• R.H. Drawer Runner	4	28	029-0047-00	R.H. End Panel Runner Assembly (Includes Items 5, 14, 29 & 30)	1
13	• 050-0608-00	• R.H. Front Runner Pan	1	29	• 050-0607-00	• End Pan	1
14	• 050-0183-00	• R.H. Front Support	1	30	• 050-0187-00	• R.H. End Pan	1
15	053-0004-00	Glide	10	31	050-0185-00	Back Panel	1
16	050-0587-00	Bracket	4				

Always Specify Model & Serial Number

Cabinet Components

SECTION VI PARTS LIST



Color Note:
 _*-00 = Burnt Umber
 _*-20 = Warm Grey

MA355600

Used on units with Serial Number BS1000 thru BS8278, CD1000 thru CD1180, DD1000 thru DD1005

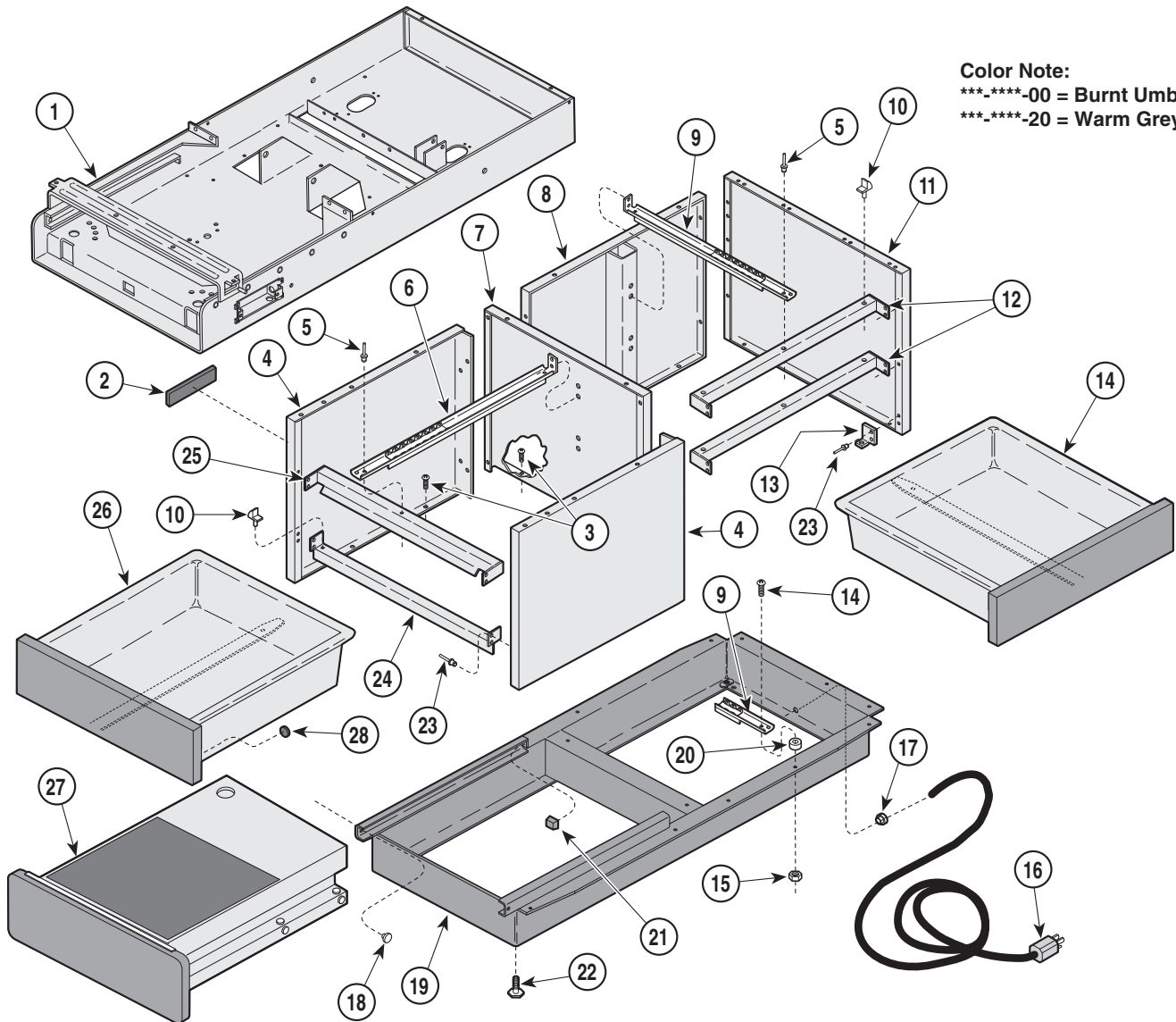
Item	Part No.	Description	Qty.	Item	Part No.	Description	Qty.
1		Upper Wrap (Refer to "Upper Wrap Assembly" Elsewhere)	Ref	16		Power Cord Assembly (Refer to "Electrical Components" Elsewhere)	Ref
2	061-0237-00	Nameplate Label	1	17	015-0002-05	Strain Relief Bushing	1
3	040-0010-00	Screw	46	18	053-0001-00	Nylon Stem Bumper	2
4	050-1645-X0	Front Support (See Color Note for "X") ..	2	19	030-0789-30	Base Weldment	1
5	042-0010-03	Pop Rivet	8	20	053-0474-00	Nylon Spacer	1
6	016-0136-00	Front Slide (Complete)	2	21	053-0014-00	Self Sticking Bumper	2
7	050-1780-X0	Center Support (See Color Note for "X")	1	22	016-0001-00	Leveling Screw	4
8	030-0293-X0	Back Wldt. (See Color Note for "X")	1	23	042-0010-01	Pop Rivet	18
9	N.L.A.	Cabinet Slide (Complete)	3	24	050-0824-X0	Lower Foot Mullion (See Color Note for "X")	1
10	053-0004-00	Glide	10	25	050-1646-X0	Upper Foot Mullion (See Color Note for "X")	1
11	050-1779-X0	End Panel (See Color Note for "X")	1	26		Front Drawer (Refer to "Drawer Assembly" Elsewhere)	2
12	050-1647-X0	Side Mullion (See Color Note for "X")	2	27		Step Assembly (Refer to "Step Assembly" Elsewhere)	1
13	050-0587-X0	Bracket (Specify Color)	1	28	053-0716-00	Self Stick Bumper	8
14		Side Drawer (Refer to "Drawer Assembly" Elsewhere)	3				
15	041-0008-02	Nylock Nut	1				

Always Specify Model & Serial Number

Cabinet Components

SECTION VI PARTS LIST

Color Note:
 --00 = Burnt Umber
 --20 = Warm Grey



MA355600

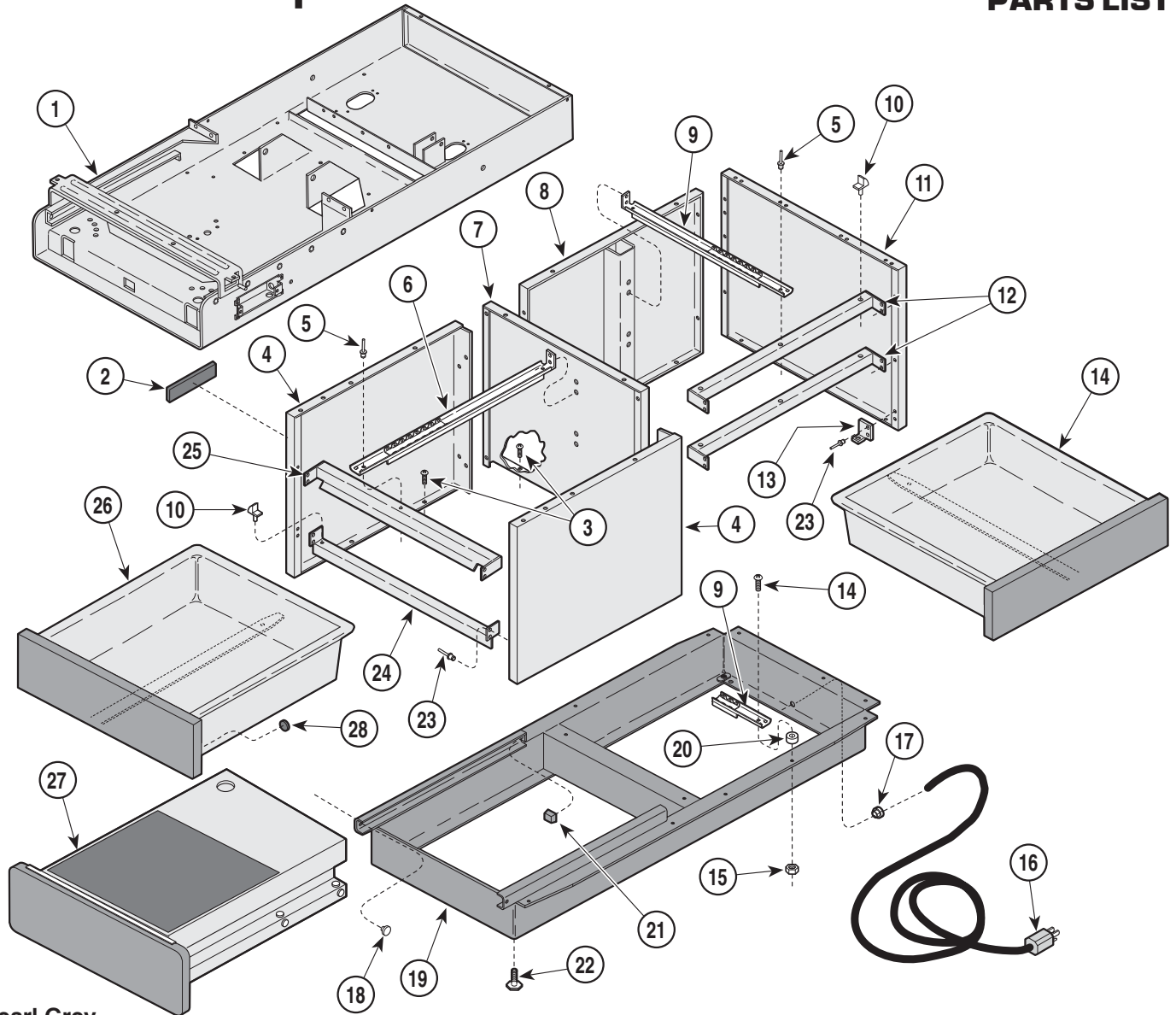
Used on units with Serial Number BS8279, CD1827, and DD1006 thru Present

Item	Part No.	Description	Qty.	Item	Part No.	Description	Qty.
1		Upper Wrap (Refer to "Upper Wrap Assembly" Elsewhere)	Ref	16		Power Cord Assembly (Refer to "Electrical Components" Elsewhere)	Ref
2	061-0237-00	Nameplate Label	1	17	015-0002-05	Strain Relief Bushing	1
3	040-0010-00	Screw	46	18	053-0001-00	Nylon Stem Bumper	2
4	050-1645-X0	Front Support (See Color Note for "X") ..	2	19	030-0789-30	Base Weldment	1
5	042-0010-03	Pop Rivet	8	20	053-0474-00	Nylon Spacer	1
6	016-0136-00	Front Slide (Complete)	2	21	053-0014-00	Self Sticking Bumper	2
7	050-1780-X0	Center Support (See Color Note for "X")	1	22	016-0001-00	Leveling Screw	4
8	030-0293-X0	Back Wldt. (See Color Note for "X"	1	23	042-0010-01	Pop Rivet	18
9	N.L.A.	Cabinet Slide (Complete)	3	24	050-0824-X0	Lower Foot Mullion (See Color Note for "X")	1
10	053-0004-00	Glide	10	25	050-1646-X0	Upper Foot Mullion (See Color Note for "X")	1
11	050-1779-X0	End Panel See Color Note for "X"	1	26		Front Drawer (Refer to "Drawer Assembly" Elsewhere)	2
12	050-1647-X0	Side Mullion (See Color Note for "X")	2	27		Step Assembly (Refer to "Step Assembly" Elsewhere)	1
13	050-0587-X0	Bracket (Specify Color)	1	28	053-0716-00	Self Stick Bumper	8
14		Drawer (Refer to "Drawer Assembly" Elsewhere)	3				
15	041-0008-02	Nylock Nut	1				

Always Specify Model & Serial Number

Cabinet Components

SECTION VI PARTS LIST



Pearl Grey

MA355600

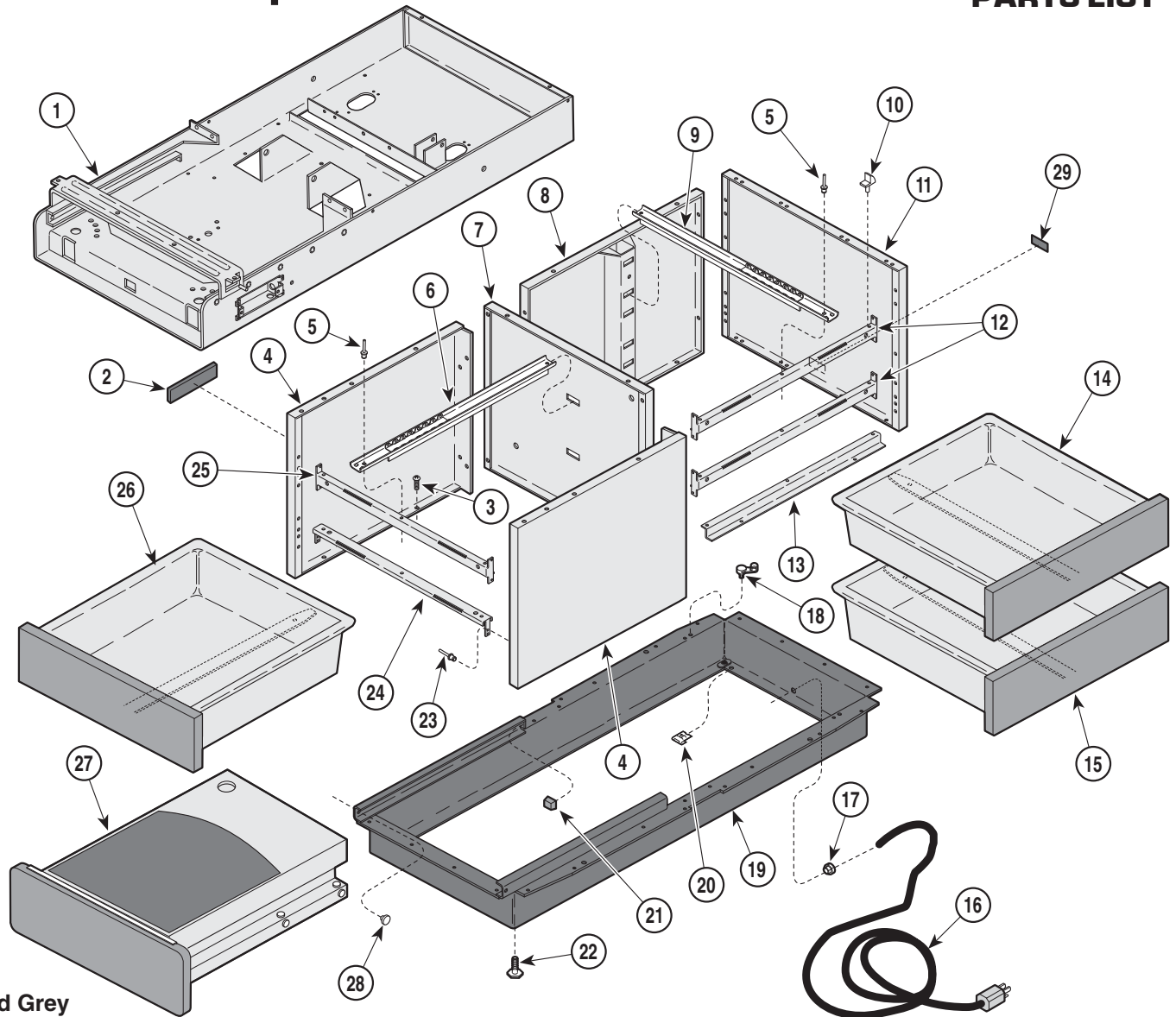
Used on units with Serial Number EB1000 and FC100 thru Present

Item	Part No.	Description	Qty.	Item	Part No.	Description	Qty.
1		Upper Wrap (Refer to "Upper Wrap Assembly" Elsewhere)	Ref	16		Power Cord Assembly (Refer to "Electrical Components" Elsewhere)	Ref
2	061-0237-00	Nameplate Label	1	17	015-0002-05	Strain Relief Bushing	1
3	040-0010-00	Screw	46	18	053-0001-00	Nylon Stem Bumper	2
4	050-1645-10	Front Support	2	19	030-0789-30	Base Weldment	1
5	042-0010-03	Pop Rivet	8	20	053-0474-00	Nylon Spacer	1
6	016-0136-00	Front Slide (Complete)	2	21	053-0014-00	Self Sticking Bumper	2
7	050-1780-10	Center Support	1	22	016-0001-00	Leveling Screw	4
8	030-0293-10	Back Weldment	1	23	042-0010-01	Pop Rivet	18
9	N.L.A.	Cabinet Slide (Complete)	3	24	050-0824-10	Lower Foot Mullion	1
10	053-0004-00	Glide	10	25	050-1646-10	Upper Foot Mullion	1
11	050-1779-10	End Panel	1	26		Front Drawer (Refer to "Drawer Assembly" Elsewhere)	2
12	050-1647-10	Side Mullion	2	27		Step Assembly (Refer to "Step Assembly" Elsewhere)	1
13	050-0587-10	Bracket	1	28	053-0716-00	Self Stick Bumper	8
14		Drawer (Refer to "Drawer Assembly" Elsewhere)	3				
15	041-0008-02	Nylock Nut	1				

Always Specify Model & Serial Number

Cabinet Components

SECTION VI PARTS LIST



Sand Grey

MA355100

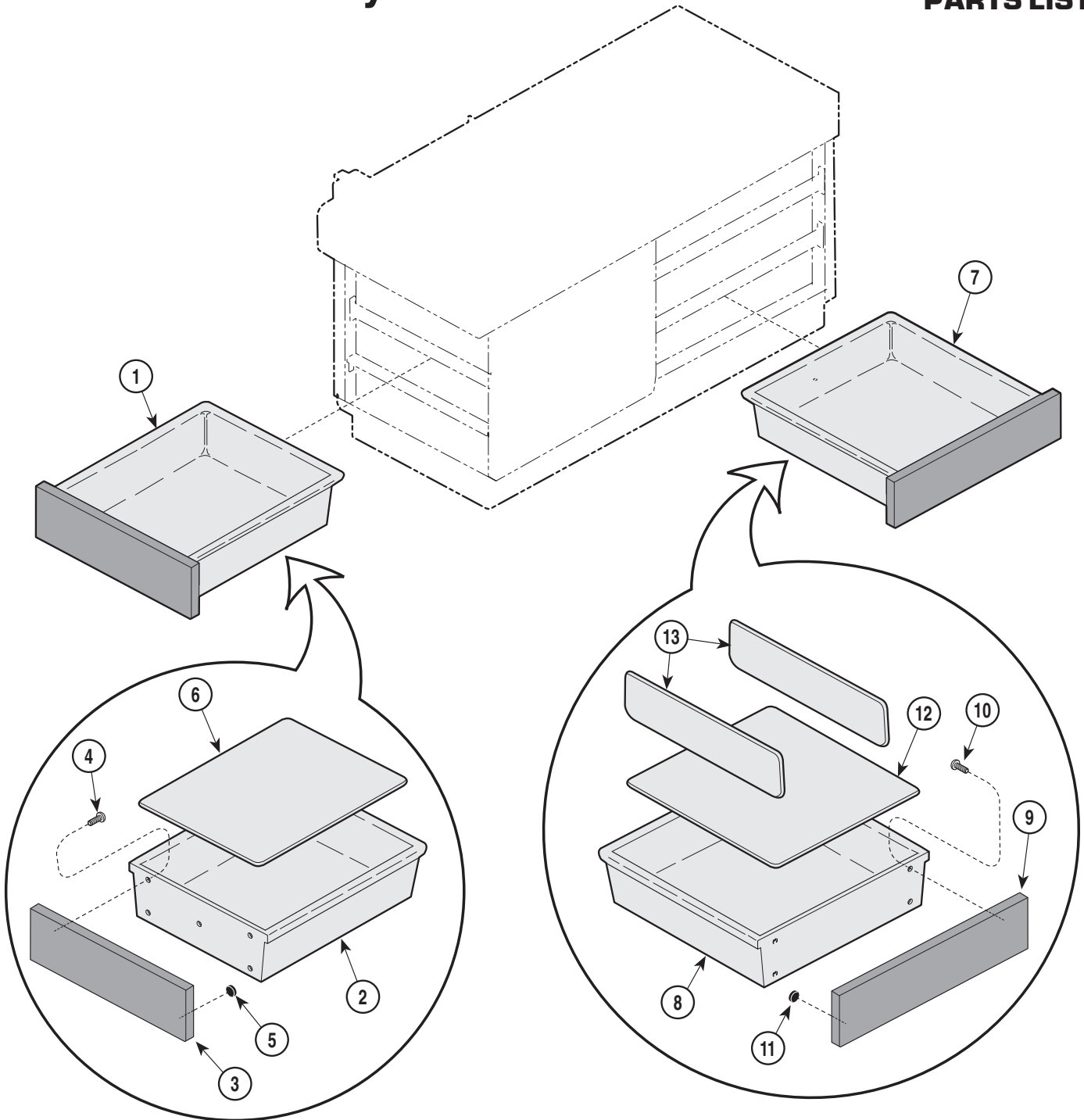
**Used on units with Serial Number GP1000, GR1000, KC1000, KD1000,
KE1000 & KF1000 thru Present
Units with Serial Number V2200 thru Present**

Item	Part No.	Description	Qty.	Item	Part No.	Description	Qty.
1		Upper Wrap (Refer to "Upper Wrap Assembly")	Ref	15		Drawer (Refer to "Drawer Assembly")	1
2	061-0621-07	100 Nameplate Label	1	16		Power Cord Assembly (Refer to "Electrical Components")	Ref
	061-0621-11	104 Nameplate Label	1	17	015-0002-05	Strain Relief Bushing	1
3	040-0010-00	Screw	18	18	015-0007-04	Wrap-N-Tap Wire Clamp	1
4	050-3608-40	Front Support Panel	2	19	030-1059-30	Base Weldment	1
5	042-0010-03	Pop Rivet	5	20	041-0030-00	Speed Nut	2
6	016-0677-01	Cabinet Member Foot Slide	2	21	053-0014-00	Self Sticking Bumper	2
7	050-3607-40	Center Support Panel	1	22	016-0001-00	Leveling Screw	4
8	030-1035-40	Back Weldment	1	23	042-0010-01	Pop Rivet	18
9	016-0676-01	Cabinet Member Side Slide	3	24	050-3628-40	Short Foot Mullion	1
10	053-0004-00	Glide	10	25	050-3618-40	Foot Mullion	1
11	050-3609-40	End Panel	1	26		Drawer (Refer to "Drawer Assembly")	2
12	050-3617-40	Side Mullion	2	27		Step Assy (Refer to "Step Assembly")	Ref
13	050-3715-40	Slide Mounting Bracket	1	28	053-0001-00	Nylon Stem Bumper	2
14		Drawer (Refer to "Drawer Assembly")	2	29	061-0295-00	Cord Tag	1

Always Specify Model & Serial Number

Drawer Assembly

SECTION VI PARTS LIST



MA474300

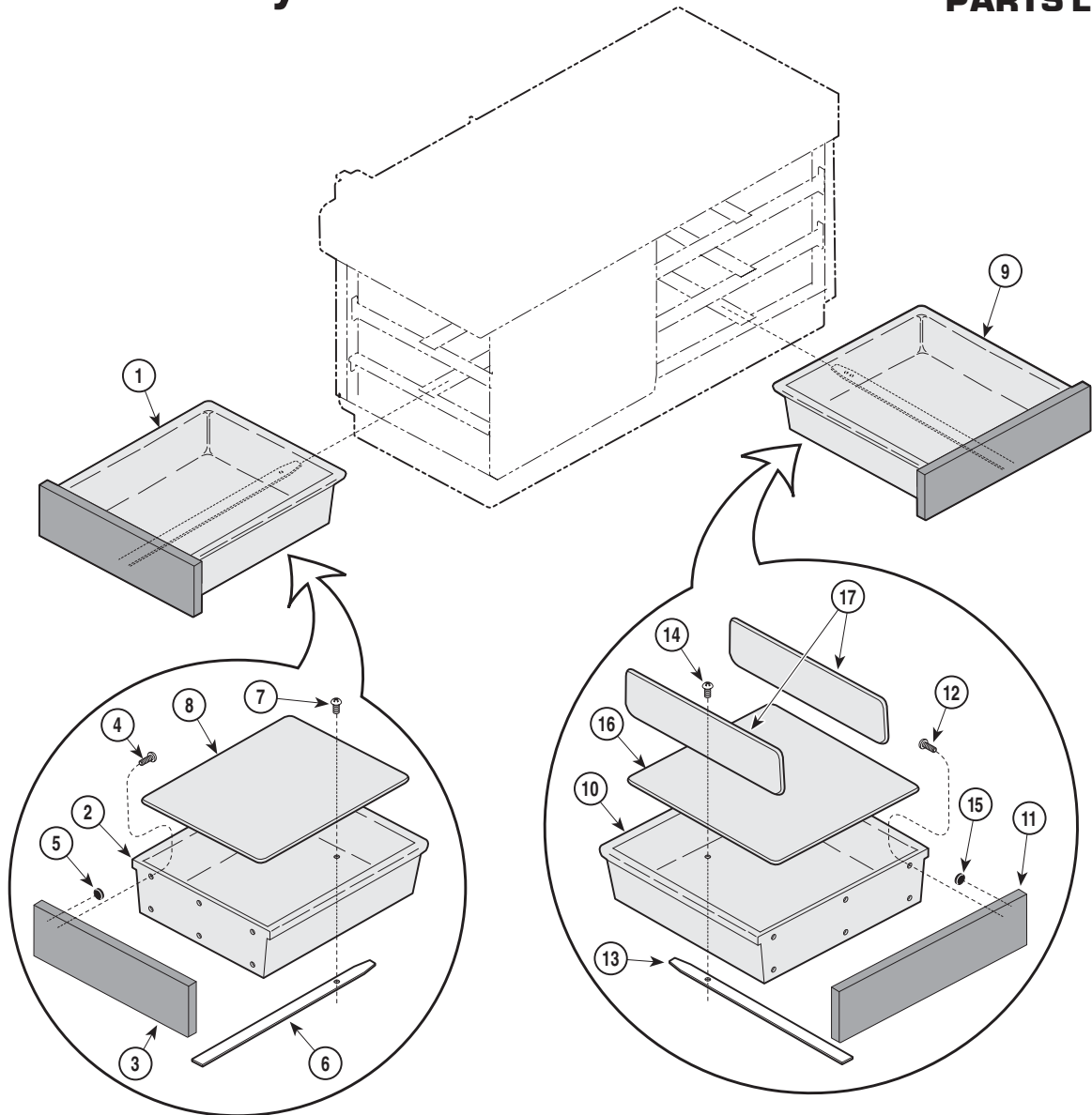
Used on units with Serial Number AE1000 thru Present

Item	Part No.	Description	Qty.	Item	Part No.	Description	Qty.
1	029-0049-00	Drawer Assembly- Front (Includes Items 2 thru 5)	Ref	7	029-0023-00	Drawer Assembly- Side (Includes Items 8 thru 11)	Ref
2	• 053-0125-00	• Plastic Drawer	1	8	• 053-0124-00	• Plastic Drawer	1
3	• 055-1200-02	• Front Drawer Panel (Specify Color)	1	9	• 055-0500-01	• Side Drawer Panel (Specify Color)	1
4	• 040-0006-49	• Screw	5	10	• 040-0006-83	• Screw	4
5	• 053-0013-00	• Self Sticking Bumper	2	11	• 053-0013-00	• Self Sticking Bumper	2
6	060-0002-02	Drawer Liner (Older Units Only)	1	12	060-0002-00	Drawer Liner (Older Units Only)	1
				13	053-0012-00	Drawer Dividers (Older Units Only)	3

Always Specify Model & Serial Number

Drawer Assembly

SECTION VI PARTS LIST



Note: The following serial numbers represent tables that were shipped with the drawer assemblies shown on the this page: CD98571 thru CD98583, CD98614 thru CD98630, CD98632 thru CD98701, CD98703 thru CD98753, CD98757 thru CD98819, CD98822 thru CD98909.

MA474400

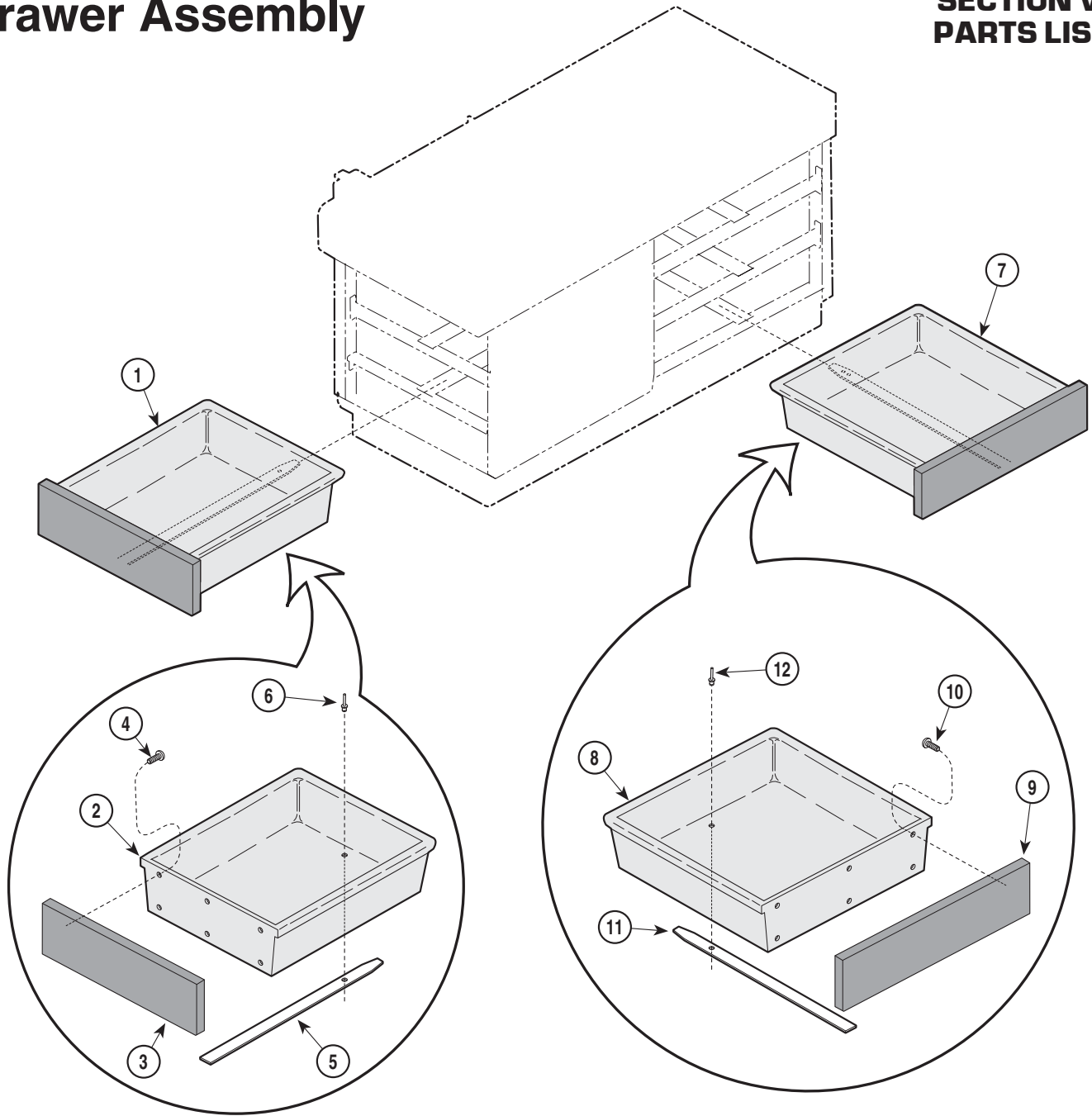
Used on units with Serial Number BS1000 thru BS69332, CD1000 thru CD96617, DD1000 thru DD4514, EB1000 thru EB1632 and FC1000 thru FC1450

Item	Part No.	Description	Qty.	Item	Part No.	Description	Qty.
1	029-0313-01	Drawer Assembly- Front (Includes Items 2 thru 7)	2	9	N.L.A.	Drawer Assembly- Side (Includes Items 10 thru 15)	3
2	• 053-0125-01	• Plastic Drawer	1	10	• 053-0124-01	• Plastic Drawer	1
3	• 055-12xx-03	• Front Drawer Panel (xx=Specify Color)	1	11	• 055-47xx-00	• Side Drawer Panel (xx=Specify Color)	1
4	• 040-0006-83	• Screw	6	12	• 040-0006-83	• Screw	6
5	• 053-0013-00	• Self Sticking Bumper	2	13	• N.L.A.	• Slide (Complete Inner & Outer)	1
6	• 016-0136-00	• Slide (Complete Inner & Outer)	1	14	• 040-0008-26	• Screw	1
7	• 040-0008-26	• Screw	1	15	• 053-0013-00	• Self Sticking Bumper	2
8	060-0002-02	Drawer Liner (Older Units Only)	1	16	060-0002-00	Drawer Liner (Older Units Only)	1
				17	053-0012-00	Drawer Dividers (Older Units Only)	3

Always Specify Model & Serial Number

Drawer Assembly

SECTION VI PARTS LIST



Note: The following serial numbers represent tables that were shipped with the drawer assemblies shown on the previous page: CD98571 thru CD98583, CD98614 thru CD98630, CD98632 thru CD98701, CD98703 thru CD98753, CD98757 thru CD98819, CD98822 thru CD98909.

MA475200

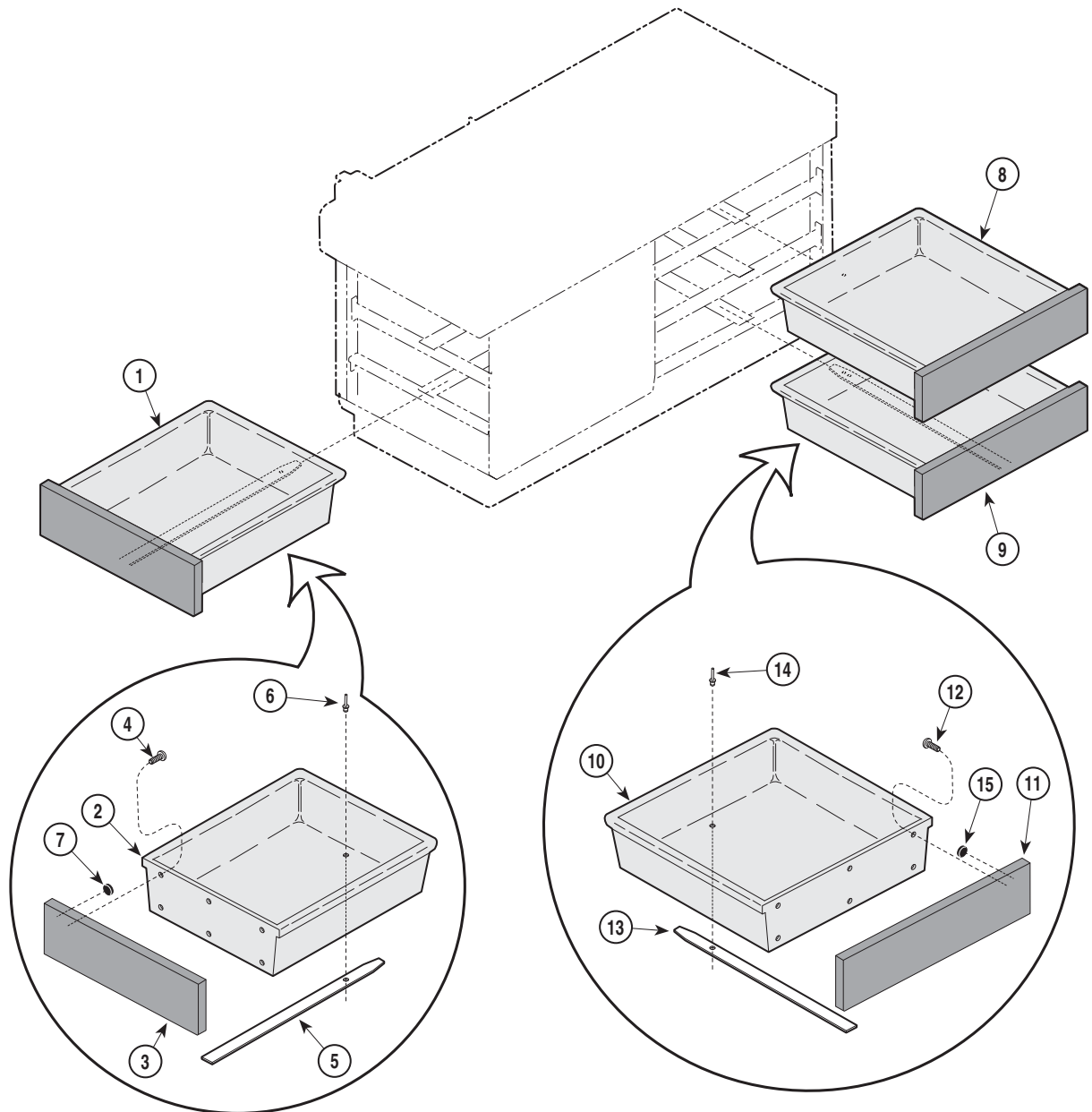
Used on units with Serial Number BS69333, CD96618, DD4515, EB1633 and FC1451 thru Present

Item	Part No.	Description	Qty.	Item	Part No.	Description	Qty.
1	N.L.A.	Drawer Assembly- Front (Includes Items 2 thru 6)	2	7	N.L.A.	Drawer Assembly- Side (Includes Items 8 thru 12)	3
2	• 053-0830-00	• Plastic Drawer	1	8	• 053-0829-00	• Plastic Drawer	1
3	• 063-28xx-00	• Front Drawer Panel (xx=Specify Color)	1	9	• 063-27xx-00	• Side Drawer Panel (xx=Specify Color)	1
4	• 040-0006-83	• Screw	6	10	• 040-0006-83	• Screw	6
5	• N.L.A.	• Side Slide (Complete)	1	11	• N.L.A.	• Side Slide (Complete)	1
6	• 042-0010-01	• Pop Rivet	1	12	• 042-0010-01	• Pop Rivet	1

Always Specify Model & Serial Number

Drawer Assembly

SECTION VI PARTS LIST



MA477100

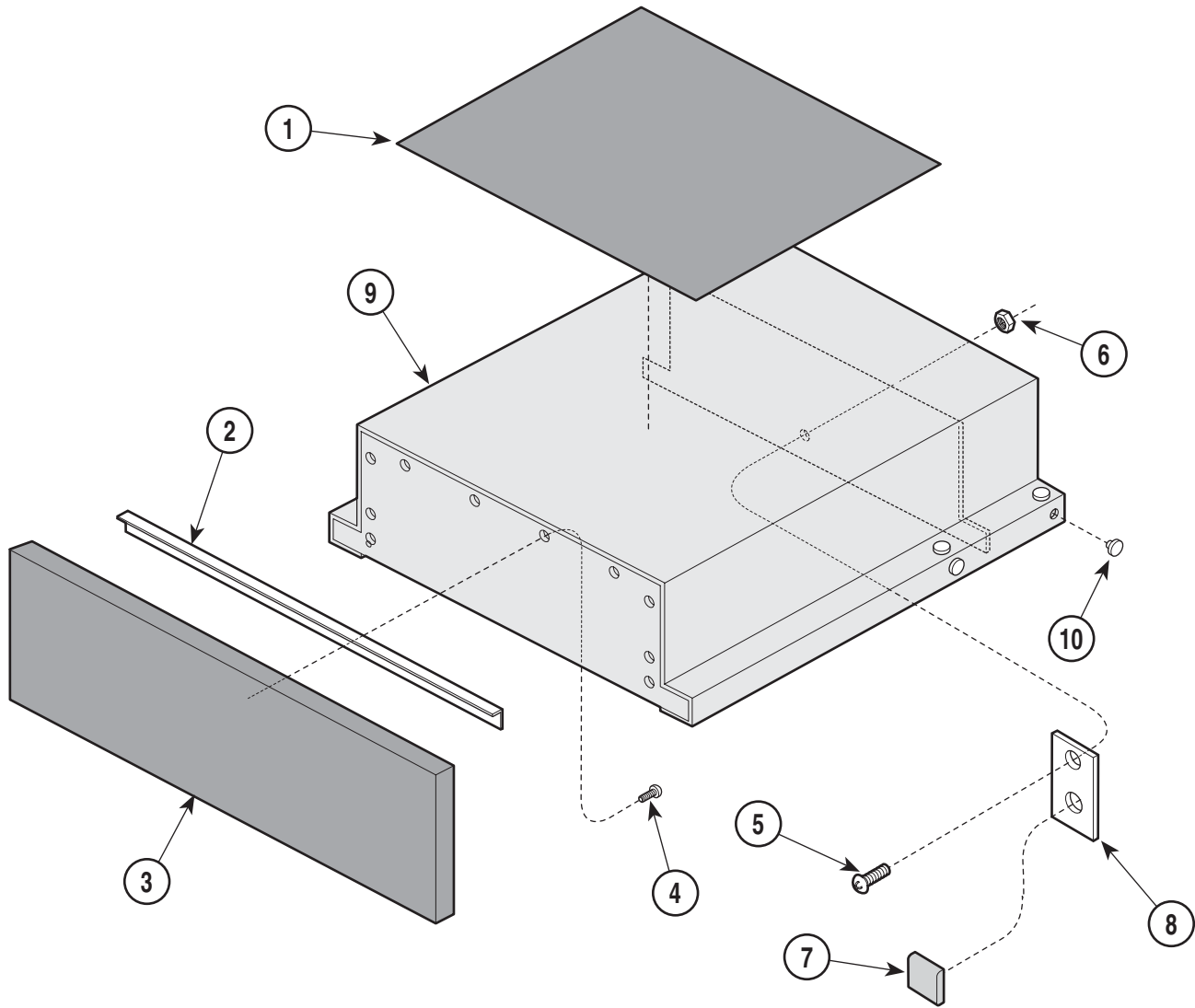
**Used on units with Serial Number GP1000, GR1000, KC1000,
KD1000, KE1000 and KF1000 thru Present
Units with Serial Number V2200 thru Present**

Item	Part No.	Description	Qty.	Item	Part No.	Description	Qty.
1	002-0709-02-xxx	Front Drawer (incl. # 2 thru #7) <i>{specify color}</i>	2	10	• 053-0829-00	• Plastic Drawer	1
2	• 053-0830-00	• Plastic Drawer	1	11	• 063-20xx-02	• Upper Side Drawer Panel (x=Specify Color)	2
3	• 063-20xx-01	• Front Drawer Panel (x=Specify Color) .	1		• 063-20xx-03	• Lower Side Drawer Panel (x=Specify Color)	1
4	• 040-0006-83	• Screw	6	12	• 040-0006-83	• Screw	6
5	• 016-0677-02	• Side Slide (Drawer Member)	1	13	• 016-0676-02	• Side Slide (Drawer Member Only)	1
6	• 042-0010-01	• Pop Rivet	1	14	• 042-0010-01	• Pop Rivet	1
7	• 053-0716-00	• Bumper	2	15	• 053-0716-00	• Bumper	2
8	002-0709-00-xxx	Side Drawer - Upper (incl. #10 thru #15) <i>{specify color}</i>	2	16	002-0634-00	Drawer Front Replacement Kit - Complete (Includes all necessary drawer fronts and step front for entire table [Specify Color])	1
9	002-0709-01-xxx	Side Drawer - Lower (incl. #10 thru #15) <i>{specify color}</i>	1				

Always Specify Model & Serial Number

Step Assembly

SECTION VI PARTS LIST



MA391600

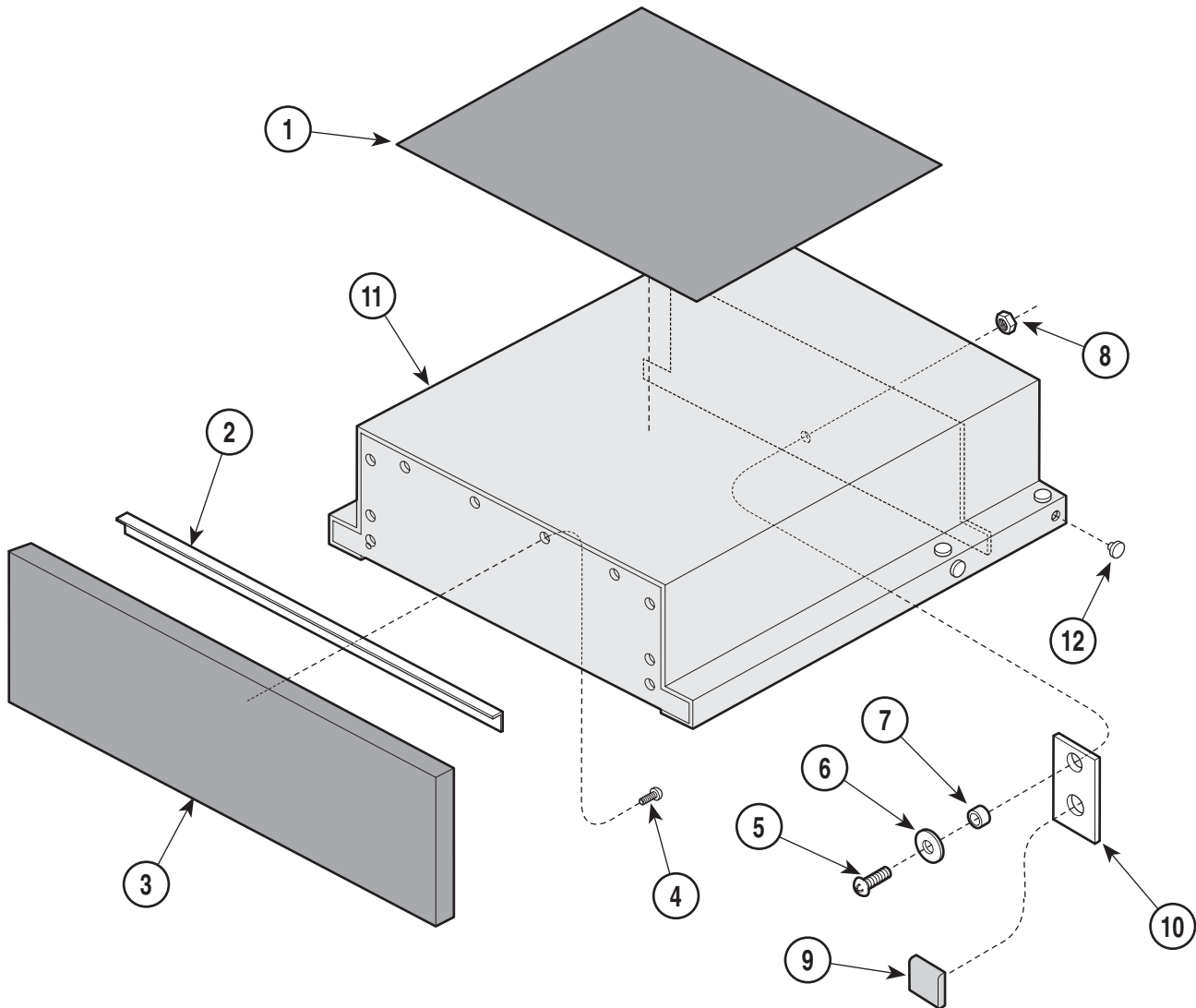
Used on units with Serial Number AE1000 thru AE22980

Item	Part No.	Description	Qty.	Item	Part No.	Description	Qty.
	029-0162-00	Step Assembly (Includes Items 1 thru 8 [Burnt Umber])	Ref	5	•040-0008-06	•Screw	1
1	•053-0048-00	•Step Covering	1	6	•041-0008-02	•Nylock Nut	1
2	•050-0379-00	•Step Guard	1	7	•053-0287-00	•Self Stick Bumper	1
3	•055-12xx-02	•Step Front (xx=Specify Color)	1	8	•051-0529-00	•Step Stop Bar	1
4	•040-0006-00	•Screw	10	9	•030-0587-00	•Step Weldment (Burnt Umber)	
				10	•053-0001-00	•Nylon Stem Bumper	12

Always Specify Model & Serial Number

Step Assembly

SECTION VI PARTS LIST



MA355700

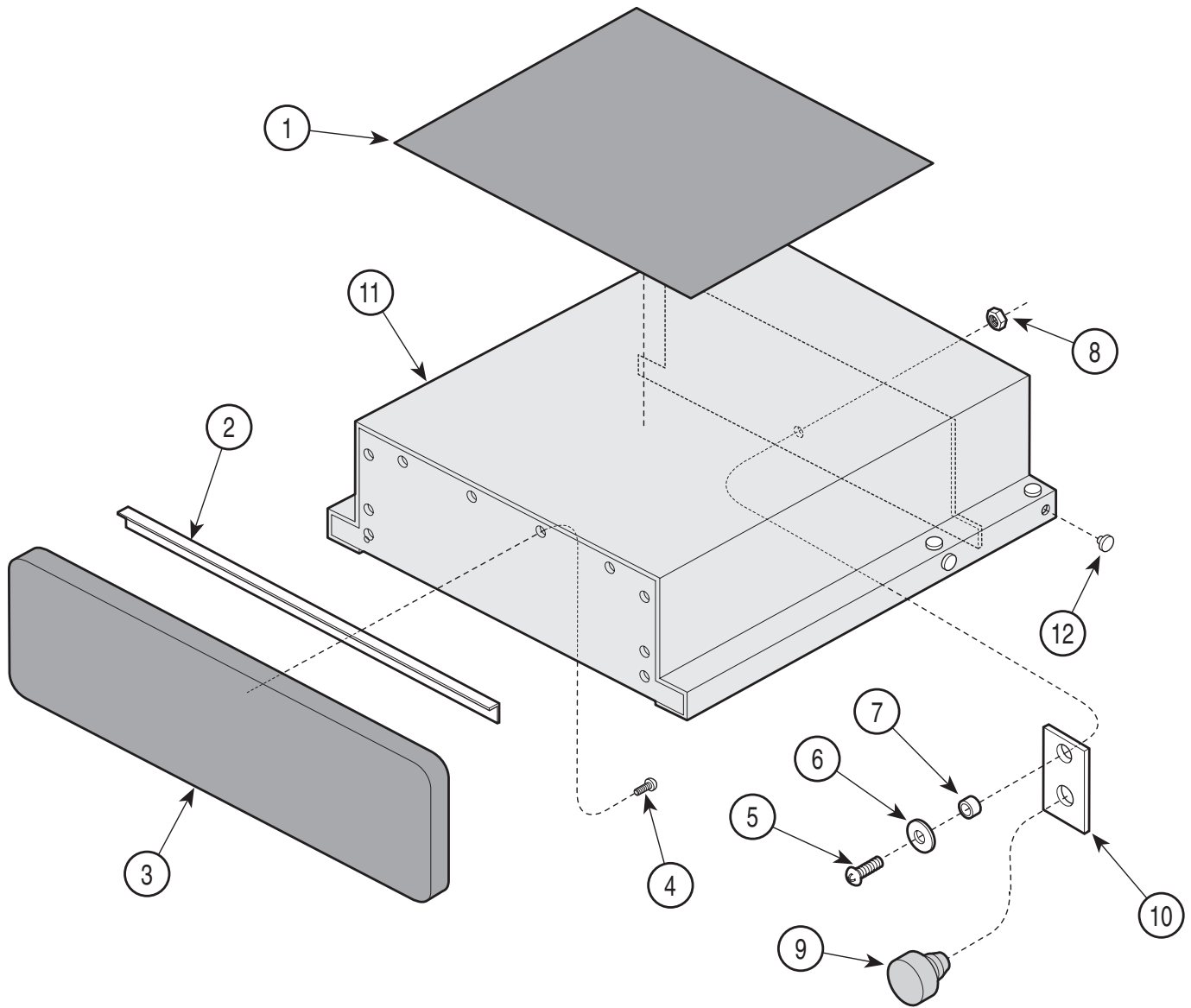
Used on units with Serial Number AE22981 thru Present, BS1000 thru BS1496 and CD1000 thru CD2231

Item	Part No.	Description	Qty.	Item	Part No.	Description	Qty.
	029-0162-00	Step Assembly (Includes Items 1 thru 8 [Burnt Umber])	Ref	6	•045-0001-39	•Washer	1
	029-0162-02	Step Assembly (Includes Items 1 thru 8 [Warm Grey])	Ref	7	•016-0138-09	•Spacer	1
1	•053-0048-00	•Step Covering	1	8	•041-0008-02	•Nylock Nut	1
2	•050-0379-00	•Step Guard	1	9	•053-0287-00	•Self Stick Bumper	1
3	•055-12xx-02	•Step Front (xx=Specify Color)	1	10	•051-0529-00	•Step Stop Bar	1
4	•040-0006-00	•Screw	10	11	•030-0587-00	•Step Wwldment (Burnt Umber)	
5	•040-0008-06	•Screw	1		•030-0587-00	•Step Weldment (Warm Grey)	1
				12	•053-0001-00	•Nylon Stem Bumper	12

Always Specify Model & Serial Number

Step Assembly

SECTION VI PARTS LIST



MA355801

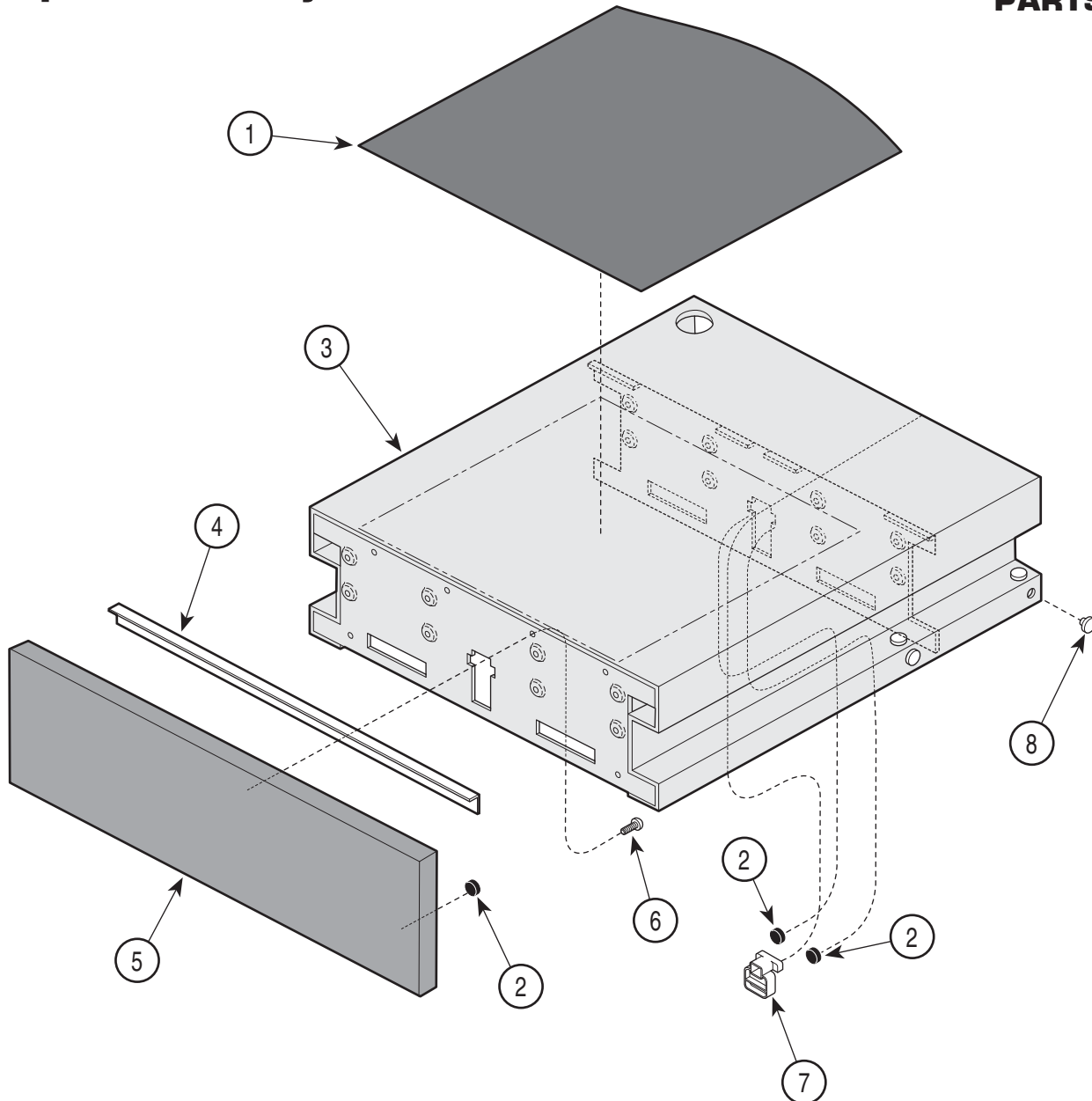
Used on units with Serial Number BS1497 thru BS64606, CD2232 thru CD87610, EB100 thru EB1514, and FC1000 thru FC1368

Item	Part No.	Description	Qty.	Item	Part No.	Description	Qty.
	029-0162-00	Step Assembly (Includes Items 1 thru 12 [Burnt Umber])	Ref	5	• 040-0008-06	• Screw	1
	029-0162-02	Step Assembly (Includes Items 1 thru 12 [Warm Grey])	Ref	6	• 045-0001-39	• Washer	1
	029-0162-03	Step Assembly (Includes Items 1 thru 12 [Pearl Grey])	Ref	7	• 016-0138-09	• Spacer	1
1	• 053-0048-00	• Step Covering	1	8	• 041-0008-02	• Nylock Nut	1
2	• 050-2057-00	• Step Guard	1	9	• 053-0323-00	• Button Bumper	1
3	• 055-12xx-04	• Step Front (xx=Specify Color)	1	10	• 051-0529-00	• Step Stop Bar	1
4	• 040-0006-00	• Screw	10	11	• 030-0587-00	• Step Weldment (Burnt Umber)	
					• 030-0587-20	• Step Weldment (Warm Grey)	1
					• 030-0587-10	• Step Weldment (Pearl Grey)	1
				12	• 053-0001-00	• Nylon Stem Bumper	12

Always Specify Model & Serial Number

Step Assembly

SECTION VI PARTS LIST



MA355203

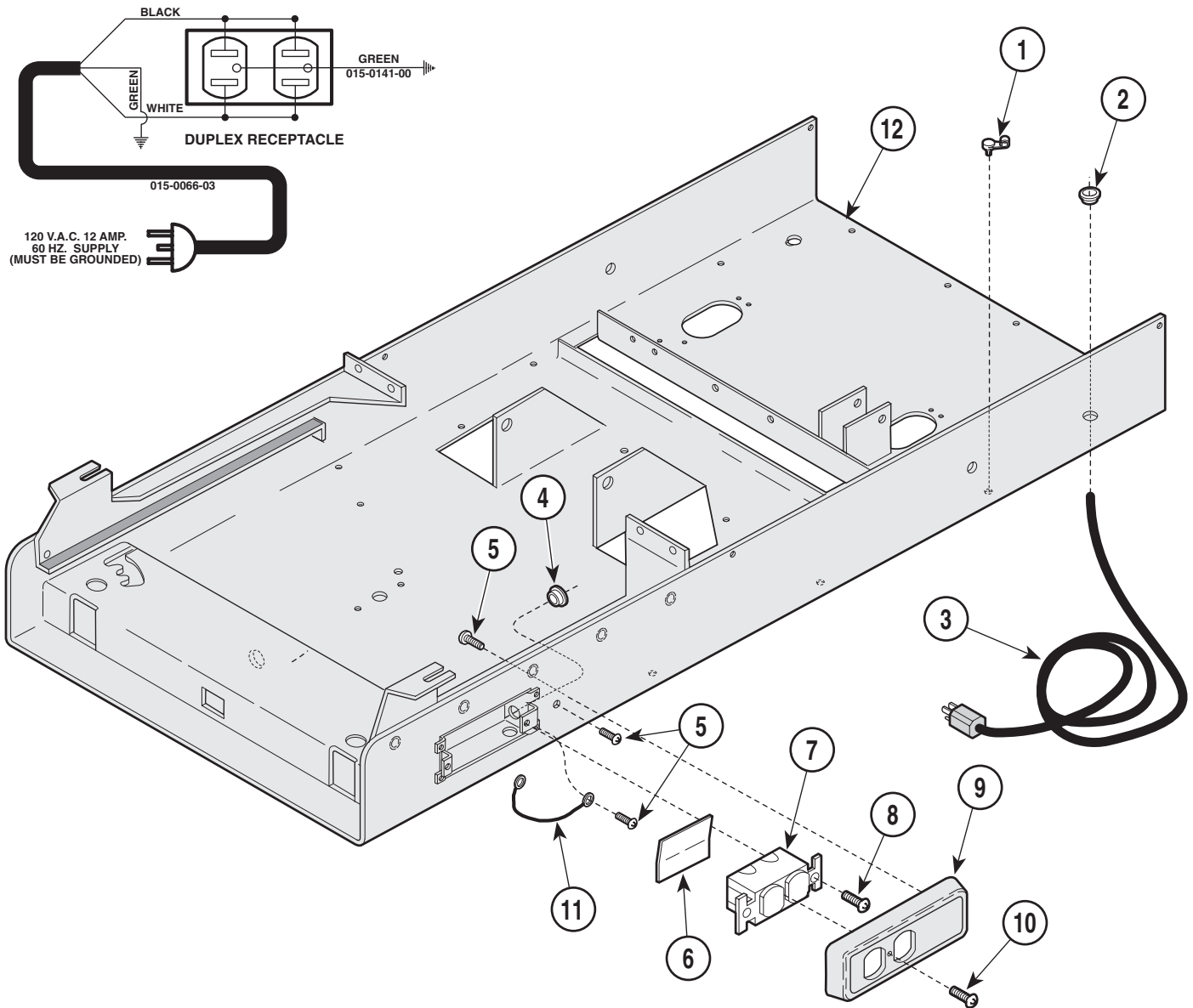
**Used on units with Serial Number BS64607, CD87611, DD4103, EB1515
FC1369, GP1000, GR1000, KC1000, KD1000, KE1000 and KF1000 thru Present
Units with Serial Number V2200 thru Present**

Item	Part No.	Description	Qty.	Item	Part No.	Description	Qty.
	029-0162-00	Step Assembly (incl. item 1 thru 8) [Burnt Umber]	Ref	3	• 030-1062-00	• Step Weldment (Burnt Umber)	1
	029-0162-02	Step Assembly (incl. item 1 thru 8) [Warm Grey]	Ref		• 030-1062-20	• Step Weldment (Warm Grey)	1
	029-0162-03	Step Assembly (incl. item 1 thru 8) [Pearl Grey]	Ref		• 030-1062-10	• Step Weldment (Pearl Grey)	1
	002-0709-03	Step Assembly (incl. item 1 thru 3 and 5 thru 8) [Sand Grey] {specify color} Ref		4	• 030-1070-40	• Step Weldment (Sand Grey)	1
1	• 053-0848-00	• Step Covering	1	4	• 050-2057-00	• Step Guard	1
2	• 053-0716-00	• Bumper	4	5	• 063-20xx-00	• Step Drawer Front (xx=Specify Color) .	1
				6	• 040-0006-83	• Screw	9
				7	• 053-0846-00	• Step Stop	1
				8	• 053-0001-00	• Nylon Stem Bumper	12
				9	002-0634-00	Drawer Front Replacement Kit - Complete (Includes all necessary drawer fronts and step front for entire table [Specify Color])	1

Always Specify Model & Serial Number

Electrical Components

SECTION VI PARTS LIST



MA477200

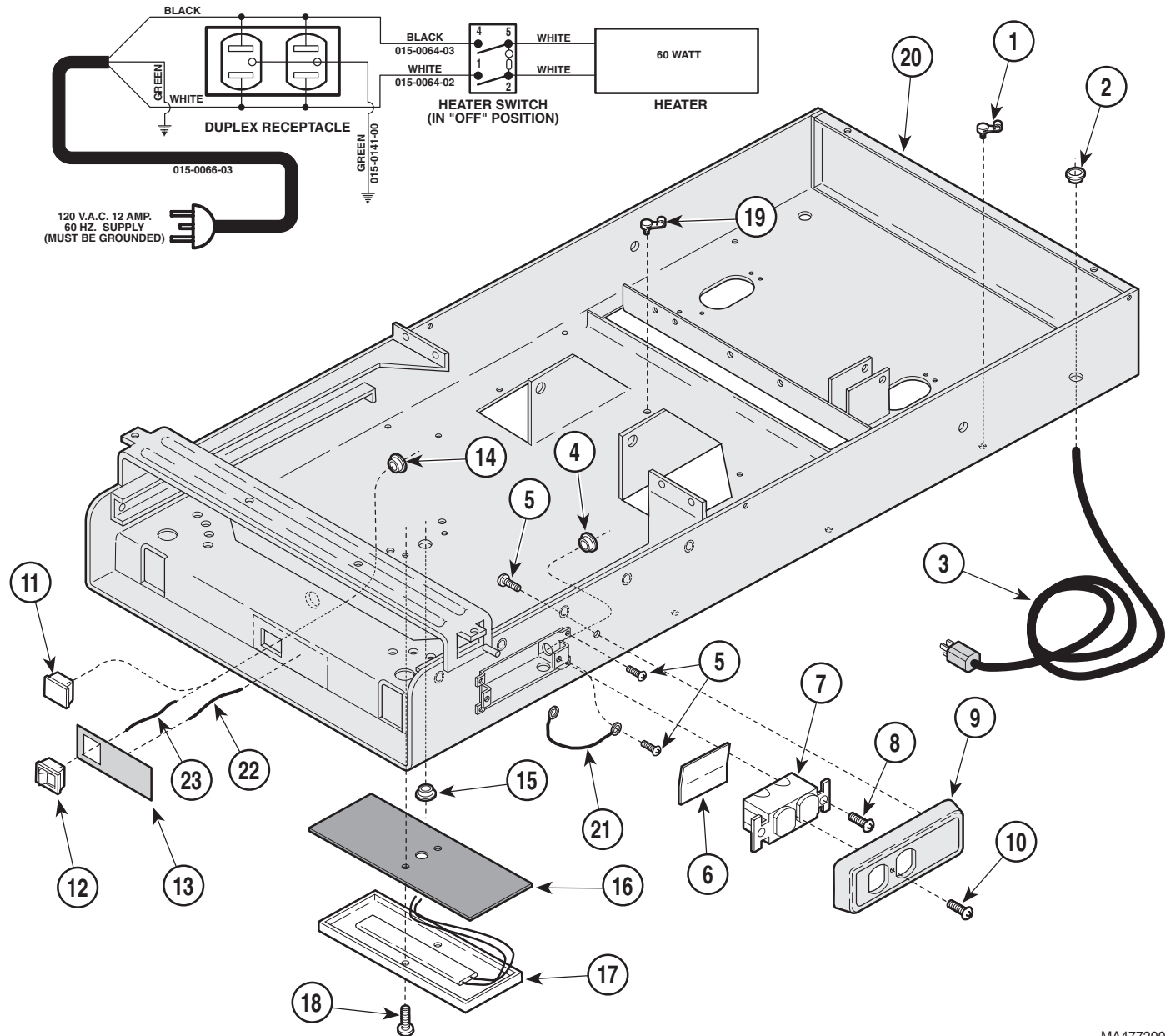
Used on units with Serial Number AE1000 thru Present

Item	Part No.	Description	Qty.	Item	Part No.	Description	Qty.
1	015-0007-02	Wrap-N-Tap Wire Clamp	3	8	040-0006-13	Screw	2
2	053-0002-01	Snap Bushing	1	9	053-0134-00	Receptacle Cover	1
3	015-0066-03	Power Cord Assembly	1	10	040-0006-23	Screw	1
4	053-0068-07	Snap Bushing	1	11	015-0141-00	Jumper Wire - Green	1
5	040-0010-47	Screw	3	12		Upper Wrap (Refer to "Upper Wrap Components" Elsewhere)	Ref
6	053-0092-00	Fishpaper Insulator	1				
7	015-0083-00	Duplex Receptacle	1				

Always Specify Model & Serial Number

Electrical Components

SECTION VI PARTS LIST



MA477200

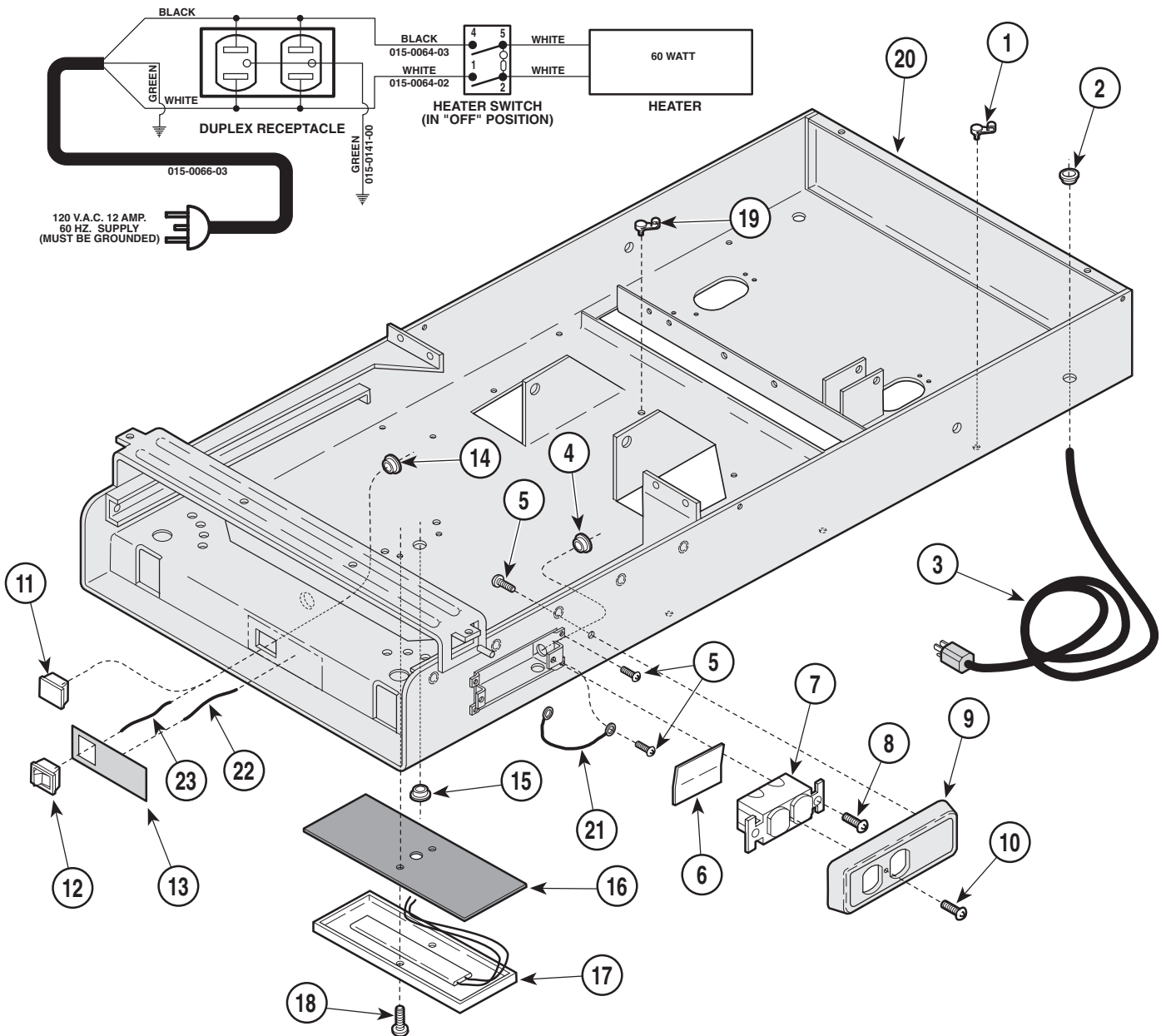
**Used on units with Serial Number BS1000, CD1000, EB1000,
and FC1000 thru Present**

Item	Part No.	Description	Qty.	Item	Part No.	Description	Qty.
1	015-0007-04	Wrap-N-Tap Wire Clamp	3	14	053-0068-00	Snap Bushing (Units w/ Heaters Only)	1
2	053-0068-00	Snap Bushing	1	15	053-0068-01	Snap Bushing (Units w/ Heaters Only)	1
3	015-0066-03	Power Cord Assembly	1	16	053-0362-00	Heat Shield (Units w/ Heaters Only)	1
4	053-0068-07	Snap Bushing	1	17	029-1223-00	Heater Plate Assembly - 60 Watt (Units w/ Heaters Only	1
5	040-0010-47	Screw	3	18	040-0010-35	Screw (Units w/ Heaters Only)	2
6	053-0092-00	Fishpaper Insulator	1	19	015-0007-00	Wrap-N-Tap Wire Clamp (Units w/ Heaters Only)	1
7	015-0083-01	Duplex Receptacle	1	20		Upper Wrap (Refer to "Upper Wrap Components" Elsewhere)	Ref
8	040-0006-13	Screw	2	21	015-0141-00	Jumper Wire - Green	1
9	053-0134-00	Receptacle Cover	1	22	015-0064-02	Jumper Wire - White	1
10	040-0006-23	Screw	1	23	015-0064-03	Jumper Wire - Black	1
11	053-0350-00	Heater Plug [Pearl Grey]	1				
12	053-0350-01	Heater Plug [Warm Grey]	1				
13	015-0650-00	Heater Switch (Units w/ Heaters Only)	1				
14	061-0219-00	Caution Label (Units w/ Heaters Only)	1				

Always Specify Model & Serial Number

Electrical Components

SECTION VI PARTS LIST



MA477200

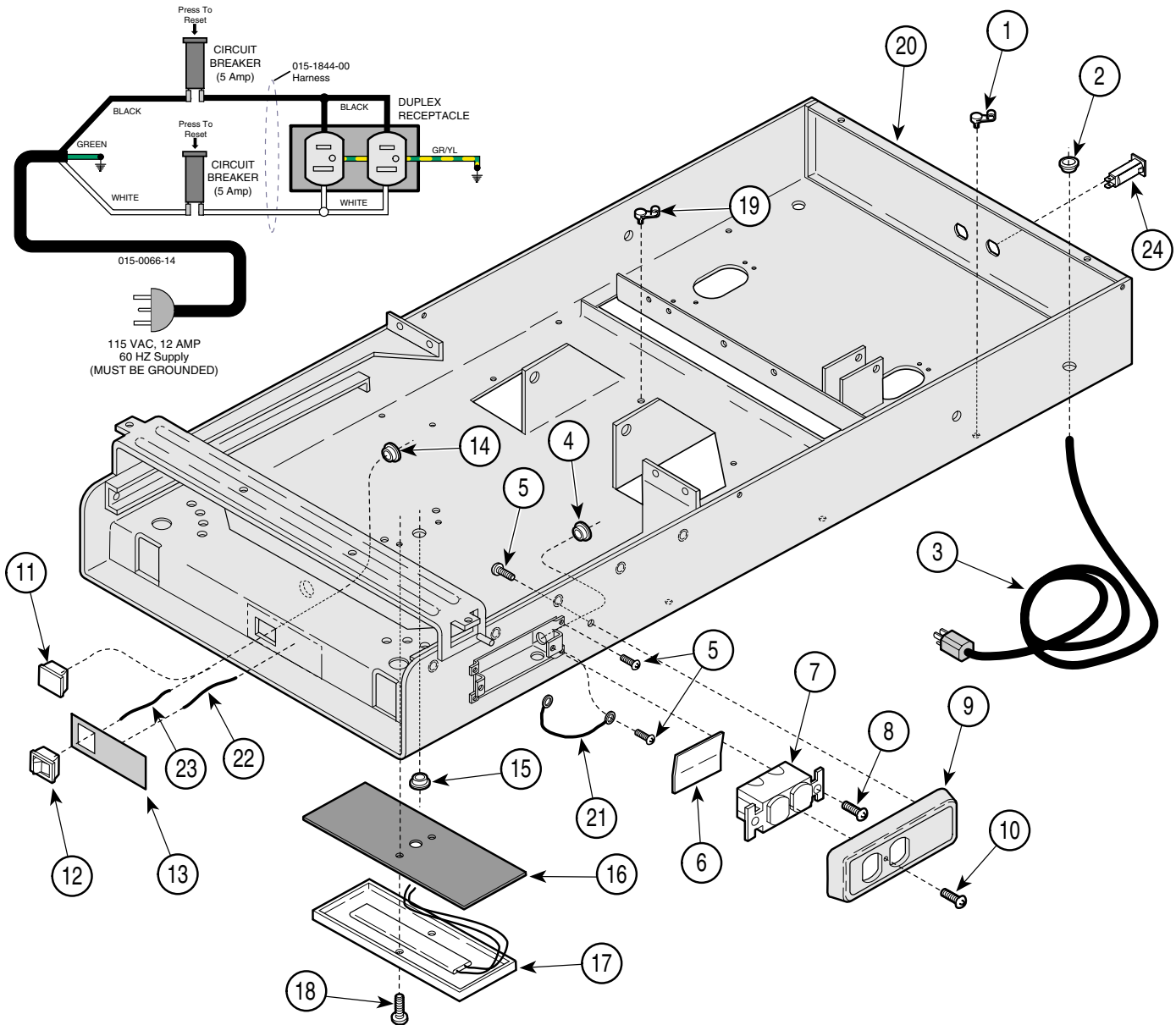
Used on units with Serial Number GP1000 & GR1000 thru Present, KC1000 thru KC42104, KD1000 thru KD8364, KE1000 thru KE58103 and KF1000 thru KF11635

Item	Part No.	Description	Qty.	Item	Part No.	Description	Qty.
1	015-0007-04	Wrap-N-Tap Wire Clamp	3	14	053-0068-00	Snap Bushing (Units w/ Heaters Only) ..	1
2	053-0068-00	Snap Bushing	1	15	053-0068-01	Snap Bushing (Units w/ Heaters Only) ..	1
3	015-0066-03	Power Cord Assembly	1	16	053-0362-00	Heat Shield (Units w/ Heaters Only)	1
4	053-0068-07	Snap Bushing	1	17	029-1223-00	Heater Plate Assembly - 60 Watt (Units w/ Heaters Only	1
5	040-0010-47	Screw	3	18	040-0010-35	Screw (Units w/ Heaters Only)	2
6	053-0092-00	Fishpaper Insulator	1	19	015-0007-00	Wrap-N-Tap Wire Clamp (Units w/ Heaters Only)	1
7	015-0083-01	Duplex Receptacle	1	20		Upper Wrap (Refer to "Upper Wrap Components" Elsewhere)	Ref
8	040-0006-13	Screw	2	21	015-0141-00	Jumper Wire - Green	1
9	053-0836-00	Receptacle Cover	1	22	015-0064-02	Jumper Wire - White	1
10	040-0006-23	Screw	1	23	015-0064-03	Jumper Wire - Black	1
11	053-0350-02	Heater Plug [Sand Grey]	1				
12	015-0650-00	Heater Switch (Units w/ Heaters Only) ..	1				
13	061-0219-00	Caution Label (Units w/ Heaters Only) ...	1				

Always Specify Model & Serial Number

Electrical Components

SECTION VI PARTS LIST



MA477201

Used on units with Serial Number V2200 thru Present

Item	Part No.	Description	Qty.	Item	Part No.	Description	Qty.
1	015-0007-04	Wrap-N-Tap Wire Clamp	3	15	053-0068-01	Snap Bushing (Units w/ Heaters Only) ..	1
2	053-0068-00	Snap Bushing	1	16	053-0362-00	Heat Shield (Units w/ Heaters Only)	1
3	015-0066-03	Power Cord Assembly	1	17	029-1223-00	Heater Plate Assembly - 60 Watt (Units w/ Heaters Only	1
4	053-0068-10	Snap Bushing	1	18	040-0010-35	Screw (Units w/ Heaters Only)	2
5	040-0010-47	Screw	3	19	015-0007-00	Wrap-N-Tap Wire Clamp (Units w/ Heaters Only)	1
6	053-0092-00	Fishpaper Insulator	1	20		Upper Wrap (Refer to "Upper Wrap Components" Elsewhere)	Ref
7	015-0083-01	Duplex Receptacle	1	21	015-0141-00	Jumper Wire - Green	1
8	040-0006-13	Screw	2	22	015-0064-02	Jumper Wire - White	1
9	053-0836-00	Receptacle Cover	1	23	015-0064-03	Jumper Wire - Black	1
10	040-0006-23	Screw	1	24	015-1596-00	Circuit Breaker - 5 A	2
11	053-0350-02	Heater Plug [Sand Grey]	1				
12	015-0650-00	Heater Switch (Units w/ Heaters Only) ..	1				
13	061-0219-00	Caution Label (Units w/ Heaters Only) ...	1				
14	053-0068-10	Snap Bushing (Units w/ Heaters Only) ..	1				

Always Specify Model & Serial Number

COMMENTS

The Technical Publications Department of Midmark Corporation takes pride in its publications. We are sure that our manuals will fill all of your needs when you are performing scheduled maintenance, servicing, or repairs on a Midmark product.

However, if you find any errors or feel that there should be a change, addition, or deletion to a manual, please let us know!

Page(s) and Paragraph(s) Needing Changed:

Description of Error or Desired Change:

Please fax or mail a copy of this completed comment sheet to:

Midmark Corporation
ATTN: Technical Publications Department
60 Vista Drive
Versailles, Ohio 45380
Fax: (937) 526-5542

Midmark Corporation
60 Vista Drive
P.O. Box 286
Versailles, Ohio 45380-0286
937-526-3662
Fax 937-526-5542
midmark.com



Because we care.

Subject to change without notice.
Refer to www.Documark.com for latest revision.