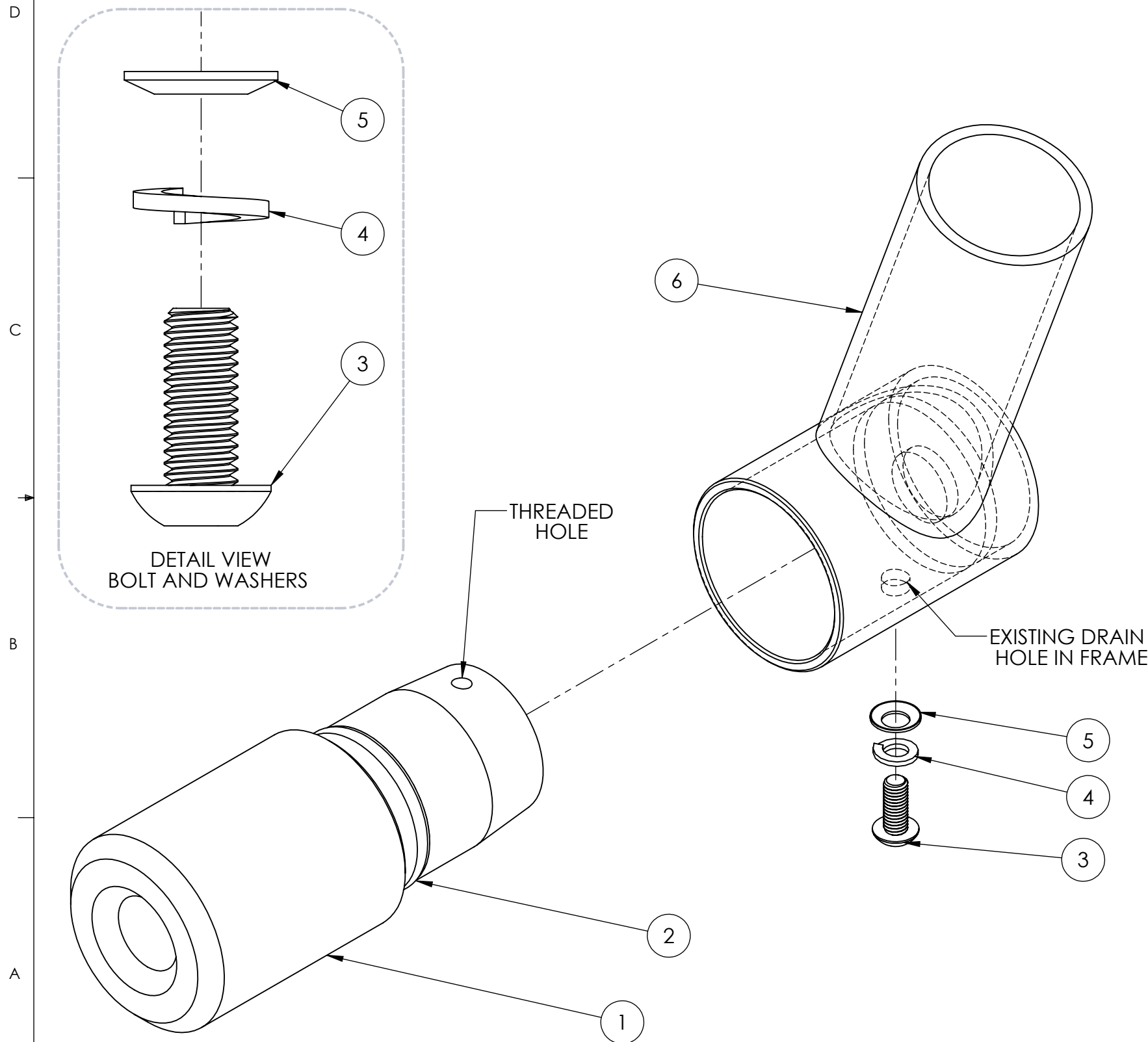


PROPRIETARY AND CONFIDENTIAL

THE INFORMATION CONTAINED IN THIS DRAWING IS THE SOLE PROPERTY OF VAGABOND MOTORSPORTS LLC. ANY REPRODUCTION IN PART OR AS A WHOLE WITHOUT THE WRITTEN PERMISSION OF VAGABOND MOTORSPORTS LLC. IS PROHIBITED.



INSTALLATION INSTRUCTIONS:

1. MAKE SURE THE FRAME TUBES BY THE ENGINE MOUNTS ARE CLEAN AND DRY BEFORE INSTALLING THE SLIDERS.
2. MAKE SURE THE O-RING (ITEM 2) IS SEATED IN THE GROOVE IN THE SLIDER (ITEM 1) AS SHOWN.
3. LINE UP ONE OF THE TWO THREADED HOLES IN THE FRAME SLIDER (ITEM 1) WITH THE DRAIN HOLE IN THE MOTORCYCLE FRAME (ITEM 5).
4. PUSH SLIDER INTO THE FRAME TUBE UNTIL IT COMPLETELY SEATS. IF SLIDER DOES NOT COMPLETELY SEAT, THE SLIDER MAY BE TAPPED IN WITH A RUBBER Mallet.
5. TWIST THE SLIDER AS NECESSARY TO ALIGN THE THREADED HOLE IN THE FRAME SLIDER (ITEM 1) WITH THE DRAIN HOLE IN THE FRAME (ITEM 5).
6. INSTALL THE BOLT (ITEM 3) AND WASHERS (ITEMS 4 & 5) TO LOCK THE SLIDER IN THE FRAME TUBE. NOTE THE CORRECT ORIENTATION OF THE WASHERS IN THE DETAIL VIEW IN THE UPPER LEFT CORNER. TIGHTEN THE BOLT UNTIL THE WASHERS ARE FLATTENED WITH THE SUPPLIED WRENCH. DO NOT OVERTIGHTEN AS IT MAY DAMAGE THE SLIDER.

NOTE: THE SLIDERS EACH HAVE TWO THREADED HOLES. ONLY ONE IS USED FOR INSTALLATION. THE SECOND ONE MAY BE USED IF THE FIRST HOLE IS DAMAGED. SIMPLY TWIST THE SLIDER 180 DEGREES TO ALIGN THE SECOND THREADED HOLE WITH THE FRAME DRAIN HOLE.

ITEM NO.	PART NUMBER	DESCRIPTION	QTY.
1	VM-Y701	FRAME SLIDER, YAMAHA FZ-07	1
2		O-RING, EPDM, -217	1
3		BOLT, M5 X 12 MM, SS	1
4		LOCK WASHER, SS, M5	1
5		SPRING WASHER, ACETAL	1
6		YAMAHA FZ-07 FRAME MEMBER	1

QUESTIONS? EMAIL US AT SALES@VAGABONDMOTORSPORTS.COM