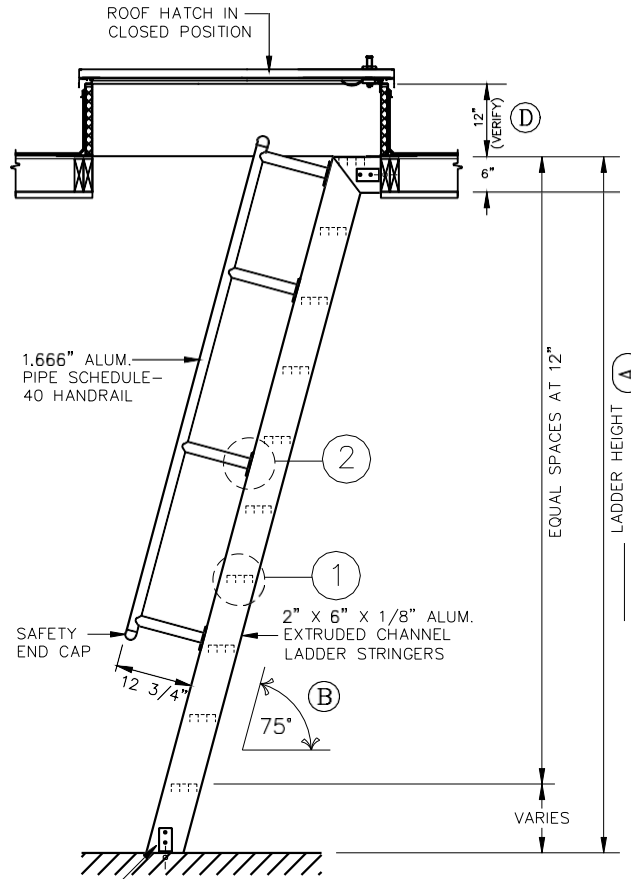
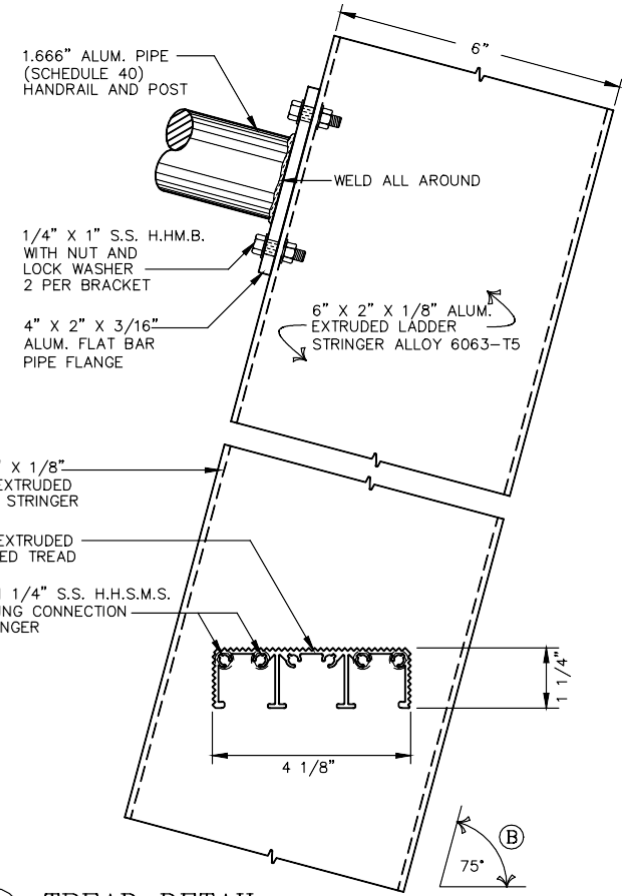


**FRONT ELEVATION**  
N.T.S.



**SIDE ELEVATION**  
N.T.S.

**2 POST DETAIL**  
3" = 1' - 0'



**2 TREAD DETAIL**  
3" = 1' - 0'



28 - 4120 Ridgeway Dr  
Mississauga, Ontario, L5L 5S9  
P 2899992334 - F 9052672777  
info@taimco.ca

**Aluminum Ship Ladder**  
**Model SL1489 & 75 Angle**

\_\_\_\_\_ QUANTITY

- MILL FINISH       BRONZE ANODIZED  
 POWDER COATING       CLEAR ANODIZED

**SALE NO.**

DRAWN :

DATE :

SHEET : \_\_\_\_\_ OF \_\_\_\_\_