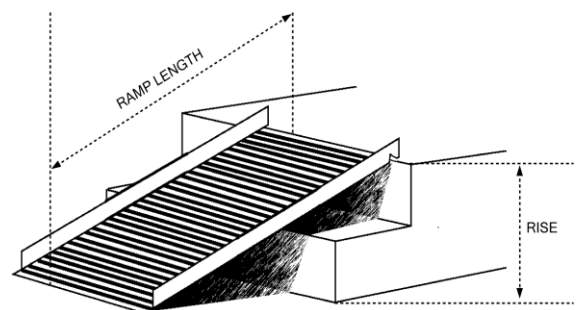


INCLINE CHART

		RAMP LENGTH (FEET)									
		2'	3'	4'	5'	6'	7'	8'	9'	10'	12'
RISE (INCHES)	3"	7.2°	4.8°	3.6°	2.9°	2.4°	2.0°	1.8°	1.6°	1.4°	1.2°
	4"	9.6°	6.4°	4.8°	3.8°	3.2°	2.7°	2.4°	2.1°	1.9°	1.6°
	5"	12.0°	8.0°	6.0°	4.8°	4.0°	3.4°	3.0°	2.7°	2.4°	2.0°
	6"	14.5°	9.6°	7.2°	5.7°	4.8°	4.1°	3.6°	3.2°	2.9°	2.4°
	7"	17.0°	11.2°	8.4°	6.7°	5.6°	4.8°	4.2°	3.7°	3.3°	2.8°
	8"		12.8°	9.6°	7.7°	6.4°	5.5°	4.8°	4.2°	3.8°	3.2°
	9"		14.5°	10.8°	8.6°	7.2°	6.2°	5.4°	4.8°	4.3°	3.6°
	10"		16.1°	12.0°	9.6°	8.0°	6.8°	6.0°	5.3°	4.8°	4.0°
	11"			13.2°	10.6°	8.8°	7.5°	6.6°	5.8°	5.3°	4.4°
	12"			14.5°	11.5°	9.6°	8.2°	7.2°	6.4°	5.7°	4.8°
	13"			15.7°	12.5°	10.4°	8.9°	7.8°	6.9°	6.2°	5.2°
	14"			17.0°	13.5°	11.2°	9.6°	8.4°	7.4°	6.7°	5.6°
	15"				14.5°	12.0°	10.3°	9.0°	8.0°	7.2°	6.0°
	16"				15.5°	12.8°	11.0°	9.6°	8.5°	7.7°	6.4°
	17"				16.5°	13.7°	11.7°	10.2°	9.1°	8.1°	6.8°
	18"				17.5°	14.5°	12.4°	10.8°	9.6°	8.6°	7.2°
	19"					15.3°	13.1°	11.4°	10.1°	9.1°	7.6°
	20"					16.1°	13.8°	12.0°	10.7°	9.6°	8.0°
	21"					17.0°	14.5°	12.6°	11.2°	10.1°	8.4°
	22"						15.2°	13.2°	11.8°	10.6°	8.8°
	23"						15.9°	13.9°	12.3°	11.1°	9.2°
24"						16.6°	14.5°	12.8°	11.5°	9.6°	
25"						17.3°	15.1°	13.4°	12.0°	10.0°	
26"							15.7°	13.9°	12.5°	10.4°	
27"							16.3°	14.5°	13.0°	10.8°	
28"							17.0°	15.0°	13.5°	11.2°	
29"								15.6°	14.0°	11.6°	
30"								16.1°	14.5°	12.0°	
31"								16.7°	15.0°	12.4°	
32"								17.2°	15.5°	12.8°	
33"								17.8°	16.0°	13.2°	
34"									16.5°	13.7°	
35"									17.0°	14.1°	
36"										14.5°	
38"										15.3°	
40"										16.1°	
41"										16.5°	
42"										17.0°	

How to Calculate the Ramp Length :

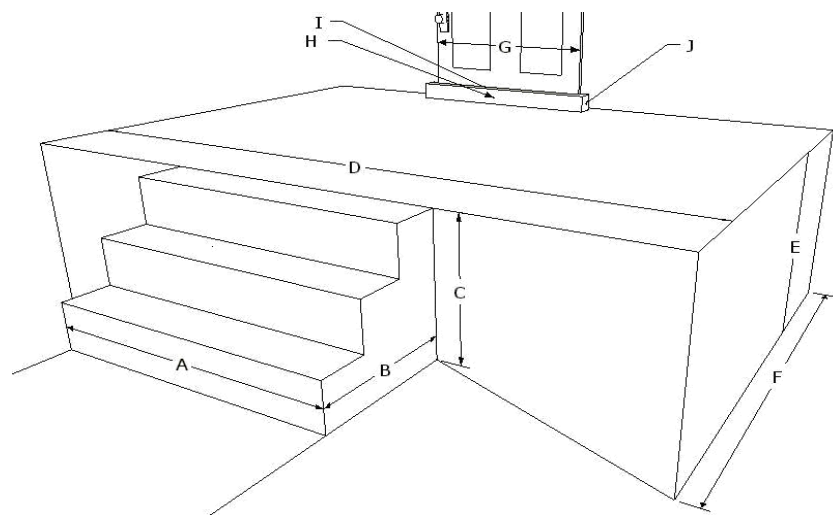
1. Determine the incline that your chair is designed to climb.
2. Measure the distance from the top step/landing to the ground (RISE).
3. Refer to Incline Chart to find proper ramp length.
4. At any incline, use ramp only with a qualified helper.
5. Refer to your equipment's (wheelchair or scooter).
6. User Guide for exact recommendations concerning acceptable usage and allowable slope.



Environmental Survey Ramp Requirements Worksheet

Name _____		Date _____	
Address _____	City _____	Province _____	Postal Code _____

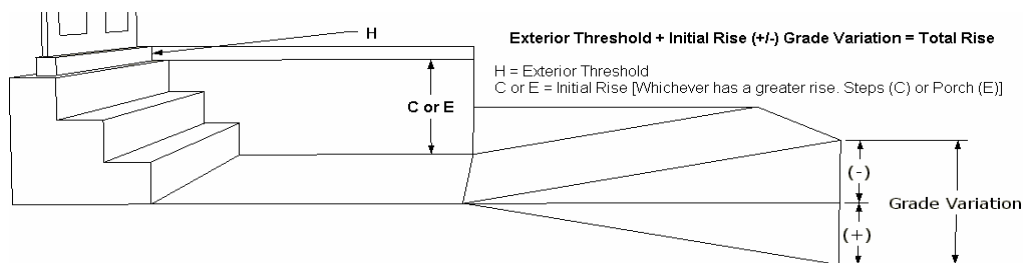
Entry Diagram



Measurements

- Width of Steps (or between handrails, if applicable) A= _____
- Depth of Steps B= _____
- Rise of Steps C= _____
- Width of Porch (if differs from steps) D= _____
- Rise of Porch (if differs from steps) E= _____
- Depth of Porch F= _____
- Width of Door (usable space) G= _____
- Rise of Exterior Threshold H= _____
Threshold ramp needed
- Rise of Interior Threshold I= _____
Threshold ramp needed
- Depth of Threshold J= _____

Total Rise Diagram



Calculating Total Rise

NOTE: All measurements that do not apply to the entry are to be given a value of zero.

Rise of Exterior Threshold	H = _____	As you face outside, the door opens	In	Out
			<input type="checkbox"/>	<input type="checkbox"/>
Initial Rise of Steps/Porch	+ C or E = _____		<input type="checkbox"/>	<input type="checkbox"/>
			Left	Right
Grade Variation (if any)*	+ or - = _____	Is a Bridge Plate required?	<input type="checkbox"/>	<input type="checkbox"/>
			Yes	No
Total Rise	= _____			

All ground variations should be added (decline) or subtracted (incline) from the total rise.

Ramp Surface	<input type="checkbox"/> Solid	<input type="checkbox"/> Expanded Metal			
Platform Surface	<input type="checkbox"/> Solid	<input type="checkbox"/> Expanded Metal			
Handrail Style	<input type="checkbox"/> SingleRail	<input type="checkbox"/> Two-line	<input type="checkbox"/> Vertical Pickets	<input type="checkbox"/> Horizontal Pickets	

Options

Powder Coating
 Contact customer service for colors and lead time.