

STEP 1:

- USE 2 - PCS. SUPPORT FOR SURFACE MOUNT ( 1 )
- 4 - PCS. 3" X 4" X 71" WOOD INT'R SLATS ( 2 )
- 2 - PCS. 3" X 4" X 71" WOOD EDGE SLATS ( 3 )
- 2 - PCS. 3" X 4" X 71" WOOD TRAP SLATS ( 4 )
- 16 - PCS. 3/8" X 2" SS. BTN. SKT. HD. LAG SCR. ( 5 )
- 16 - PCS. 3/8" SS. FLAT WASHER ( 6 )

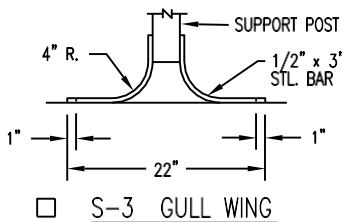
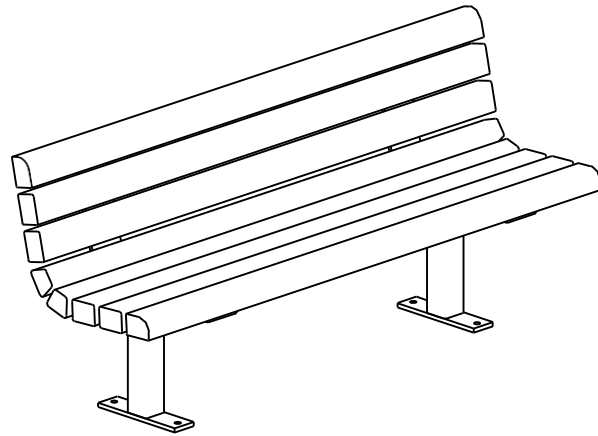
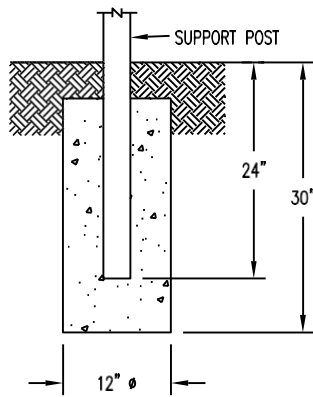
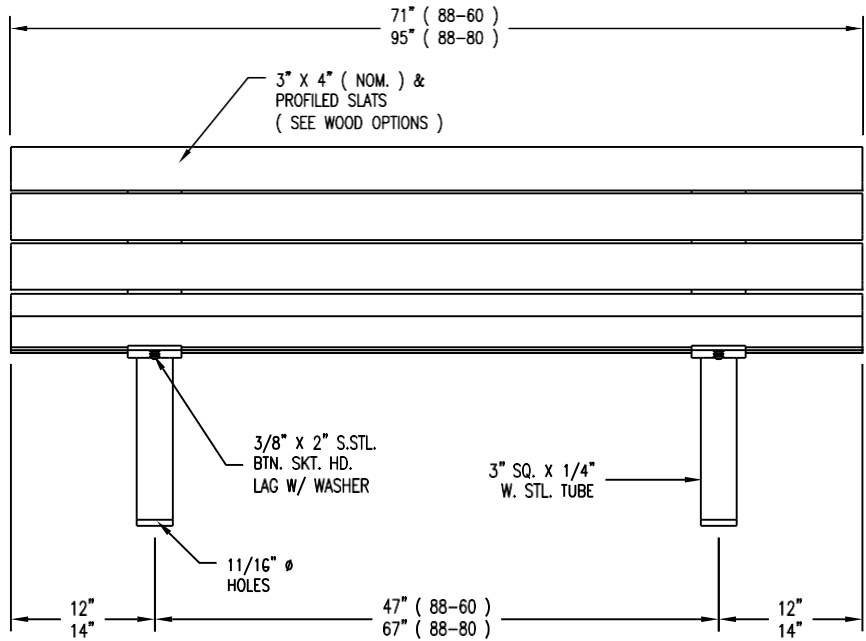
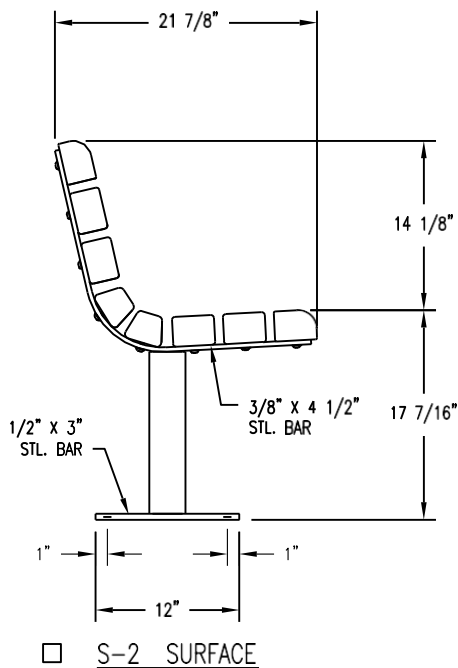
ATTACH SLATS ( 2, 3, & 4 ) TO SUPPORT FOR SURFACE MOUNT ( 1 ) USING HARDWARE ( 5 & 6 ). TIGHTEN TO SNUG FIT. REPEAT UNTIL ALL SLATS ARE ATTACHED.

STEP 2:

UPON COMPLETION OF BENCH ASSEMBLY SQUARE ALL COMPONENTS THEN TIGHTEN ALL HARDWARE.

STEP 3:

ANCHOR ACCORDING TO SUPPORT OPTION USED.



LENGTH OPTIONS

- 6' BENCH
- 8' BENCH

NOTES

- 1.) ALL STL. MEMBERS COATED W/ ZINC RICH EPOXY THEN FINISHED W/ POLYESTER POWDER COATING.
- 2.) ALL WOOD MEMBERS TREATED W/ CLEAR PRESERVATIVE.
- 3.) 1/2" X 3 3/4" EXPANSION ANCHOR BOLTS PROVIDED FOR S-2, S-3 & S-4 OPTIONS.