

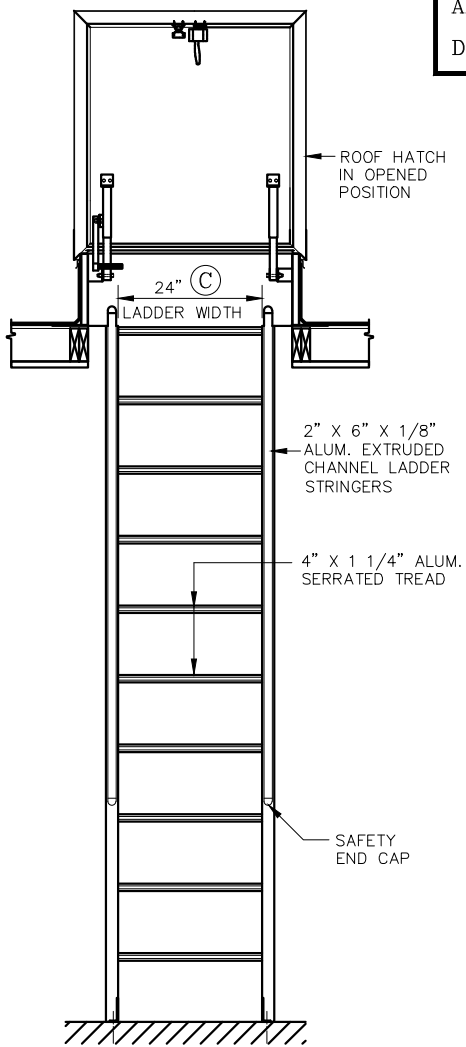
PLEASE SIGN

APPROVED BY: _____
DATE _____

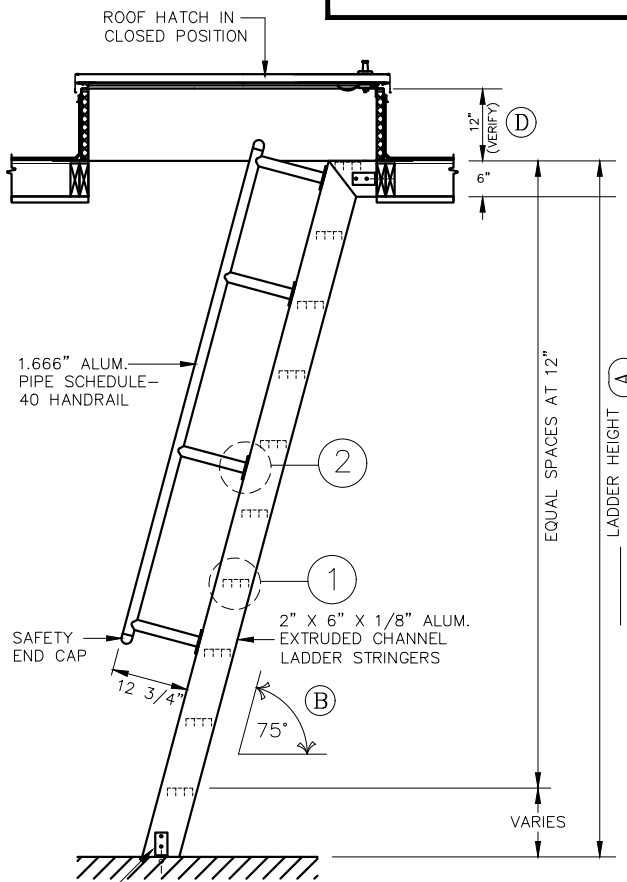
CONTRACTOR TO VERIFY:

- (A) _____ LADDER HEIGHT
- (B) _____ LADDER ANGLE
- (C) _____ LADDER WIDTH
- (D) _____ ROOF HATCH BASE HEIGHT

2 POST DETAIL
3" = 1' - 0'



FRONT ELEVATION
N.T.S.



SIDE ELEVATION
N.T.S.

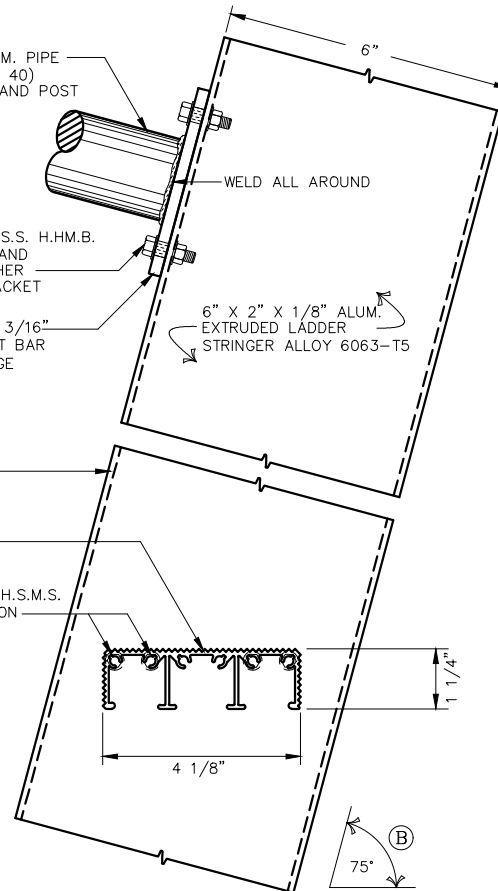
1.666" ALUM. PIPE
(SCHEDULE 40)
HANDRAIL AND POST

1/4" X 1" S.S. H.M.B.
WITH NUT AND
LOCK WASHER
2 PER BRACKET

6" X 2" X 1/8"
ALUM. EXTRUDED
LADDER STRINGER

ALUM. EXTRUDED
SERRATED
TREAD

#12 X 1 1/4" S.S. H.H.S.M.S.
TYP. RUNG CONNECTION
TO STRINGER



2 TREAD DETAIL
3" = 1' - 0'

2" X 2" X 3/16" ALUM.
ANGLE 4" LONG MOUNTING
BRACKET 7/16" HOLE

ALUMINUM SHIP LADDER
ACCESS TO ROOF HATCH MODEL : 75°

SALE NO.

DRAWN :

DATE :

SHEET : _____ OF _____

- MILL FINISH
- BRONZE ANODIZED
- POWDER COATING
- CLEAR ANODIZED

_____ QUANTITY