

PLEASE SIGN

CONTRACTOR TO VERIFY:

- (A1) _____ OVERALL LADDER HEIGHT
- (A2) _____ LADDER HEIGHT
- (B) _____ LADDER ANGLE
- (C) _____ LADDER WIDTH
- (D) _____ PLATFORM DIMENSION

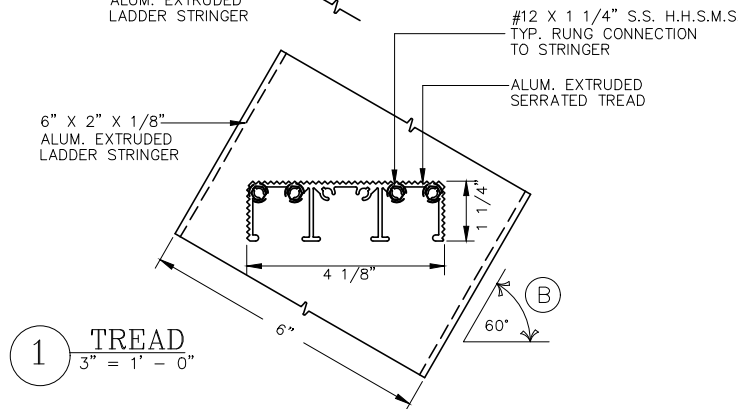
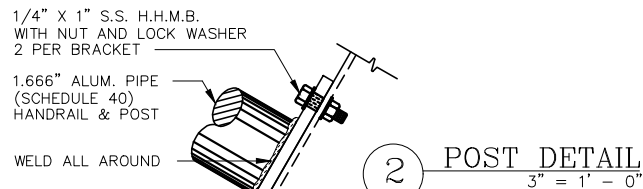
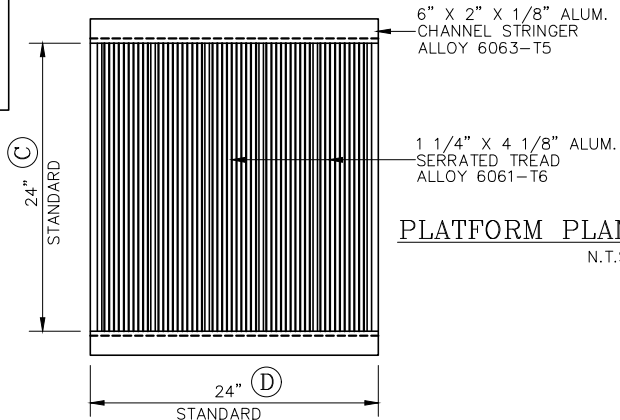
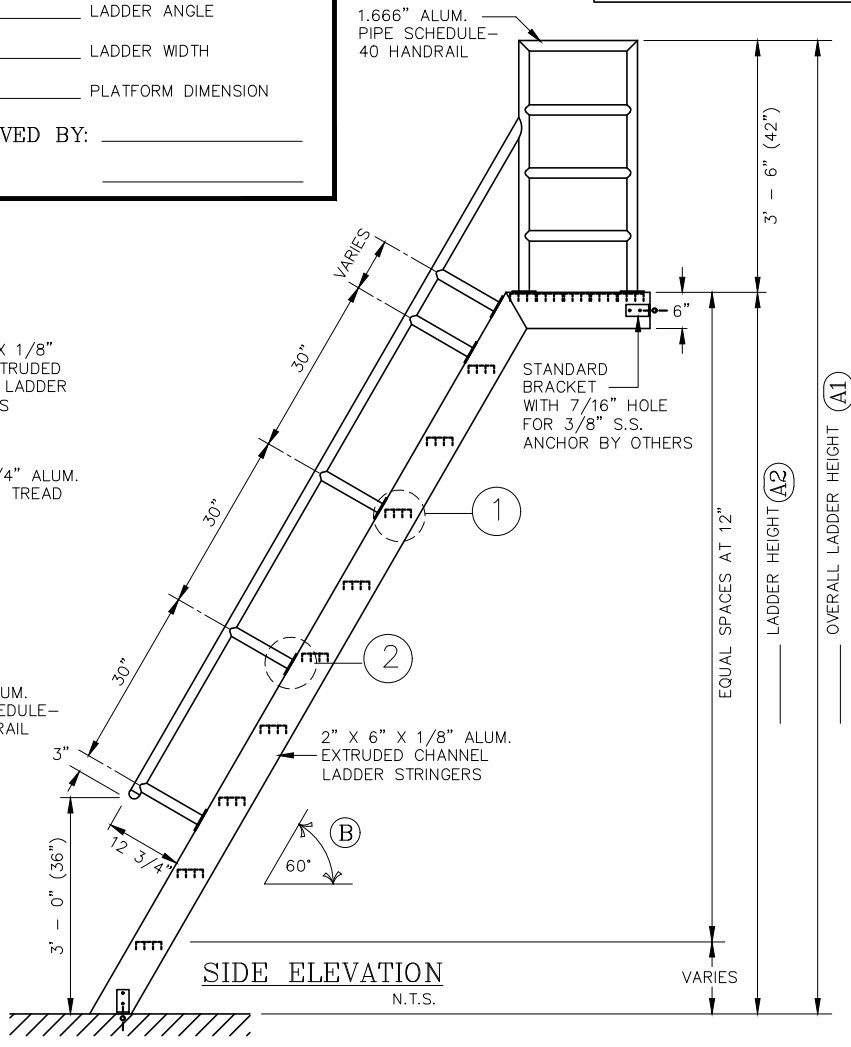
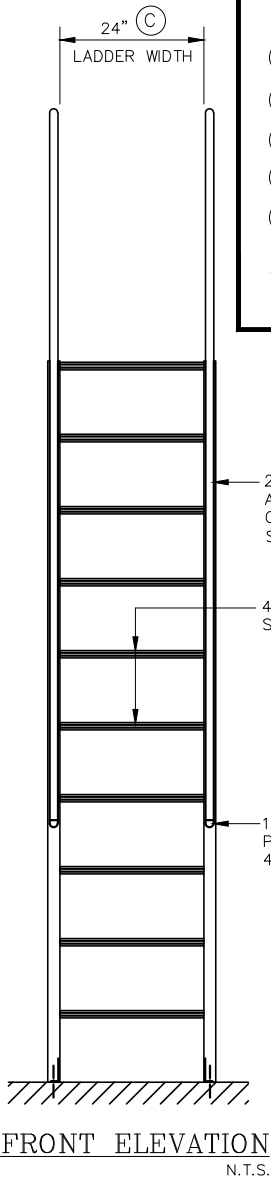
APPROVED BY: _____

DATE _____

NOTE:

- * ALL BOLTS/FASTENERS NECESSARY TO ANCHOR LADDER BY OTHERS
- * PIPE HANDRAIL TO BE FIELD ASSEMBLED

1.666" ALUM. PIPE SCHEDULE-40 HANDRAIL



FRONT ELEVATION
N.T.S.

SIDE ELEVATION
N.T.S.

PLATFORM PLAN
N.T.S.

POST DETAIL
3" = 1' - 0"

TREAD
3" = 1' - 0"

ALUMINUM SHIP LADDER WITH PLATFORM
60° ANGLE

SALE NO.

DRAWN :

DATE :

SHEET : _____ OF _____

- MILL FINISH
- BRONZE ANODIZED
- POWDER COATING
- CLEAR ANODIZED

_____ QUANTITY