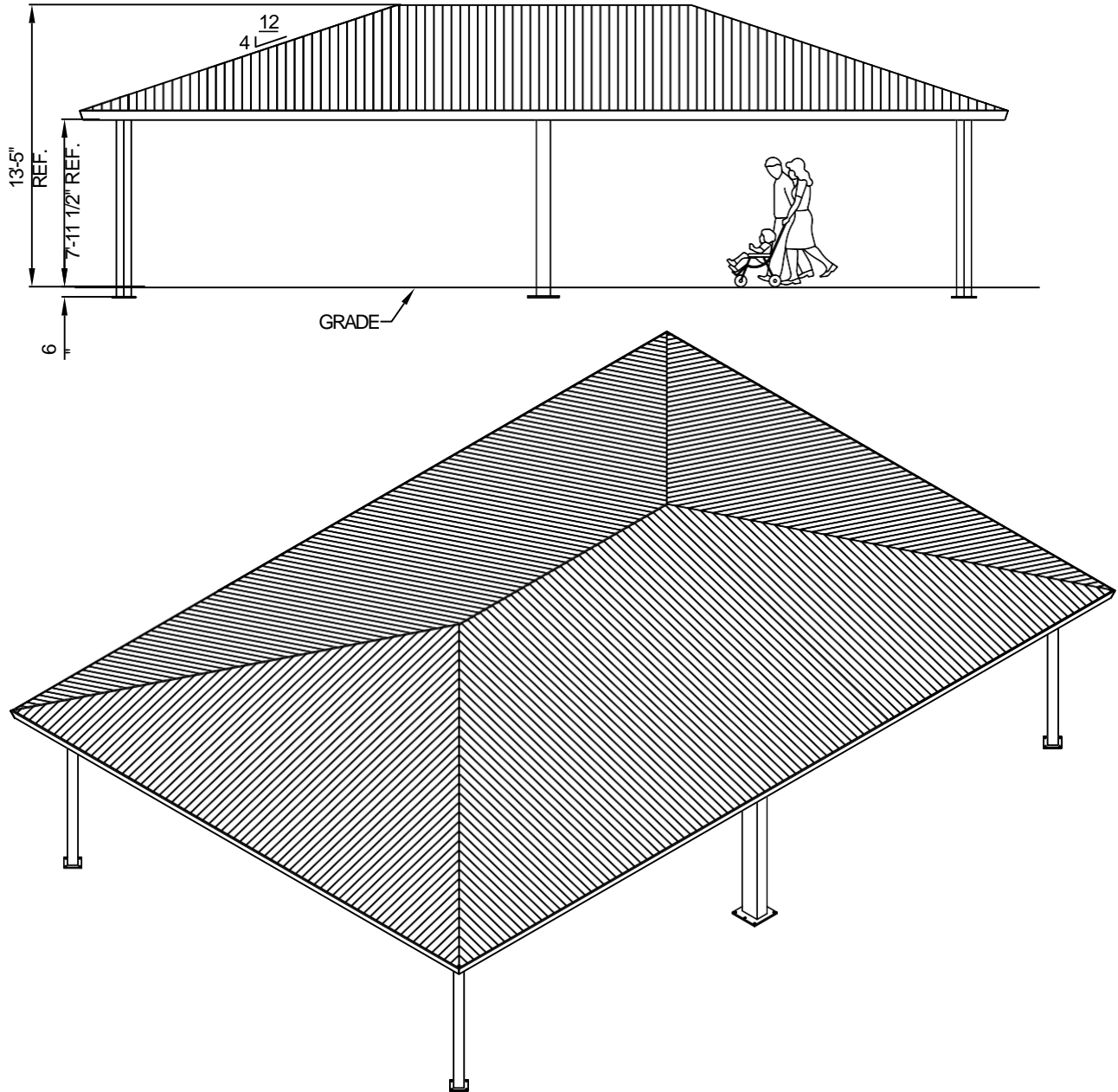
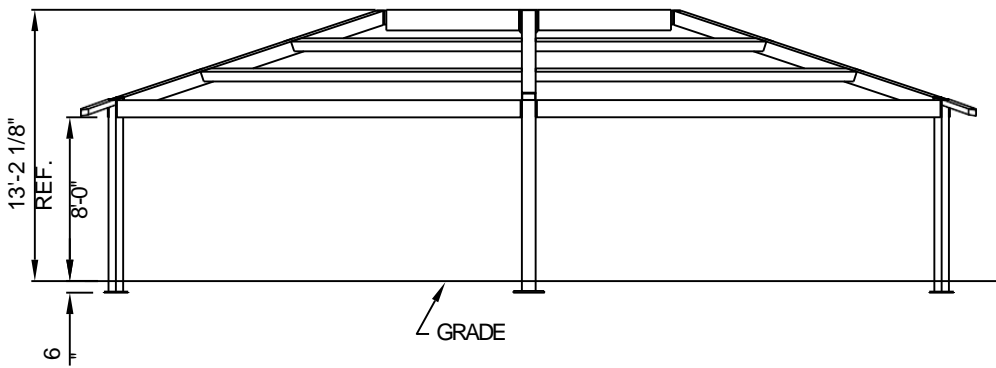
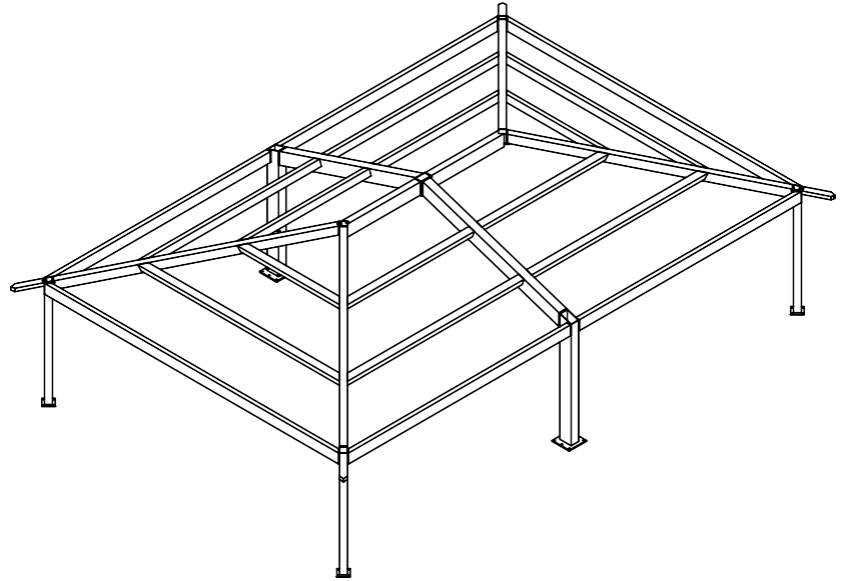
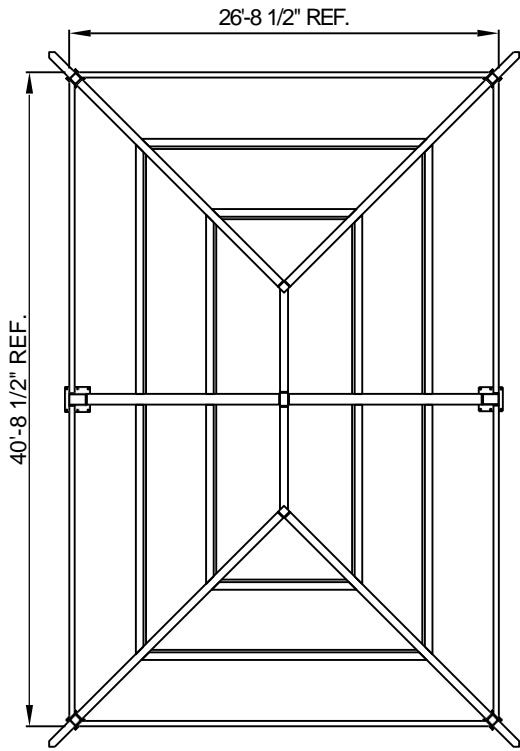


Rectangular One Tiers Steel Structure Park Gazebo
GAZR1T



NOTES:

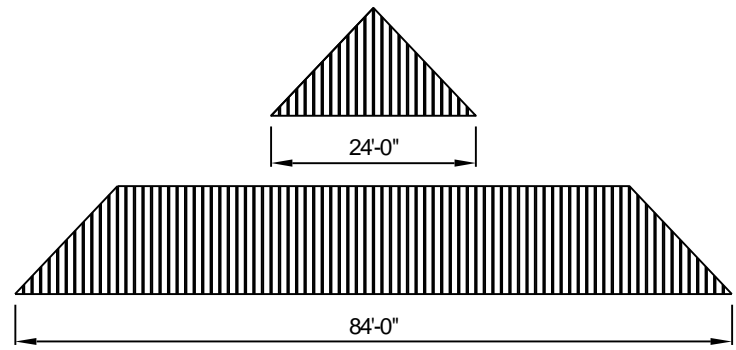
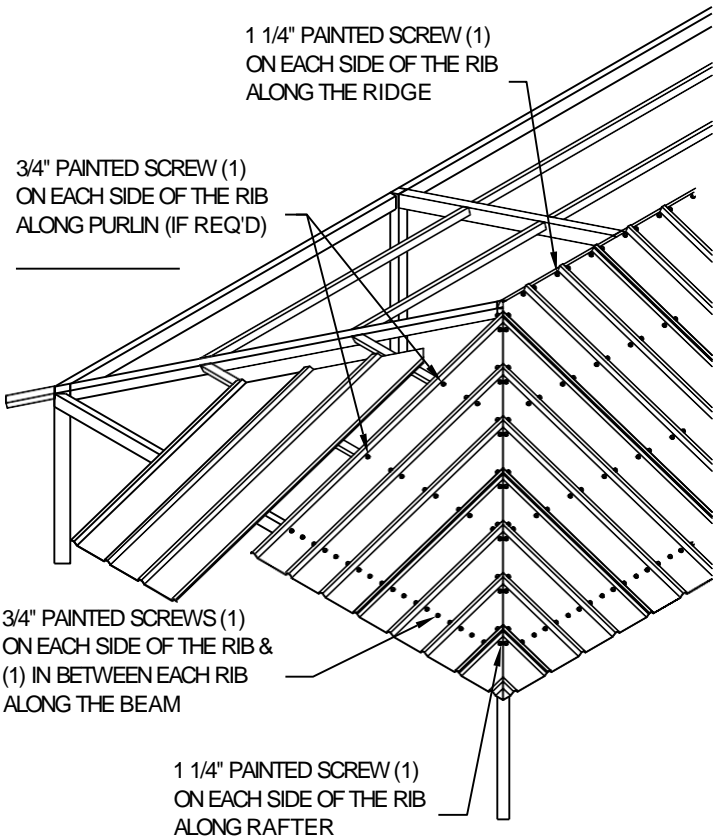
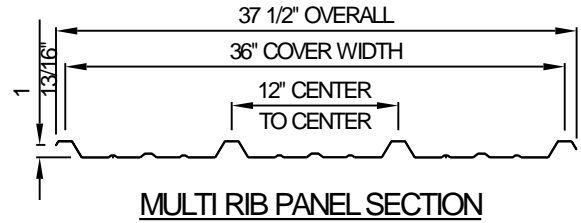
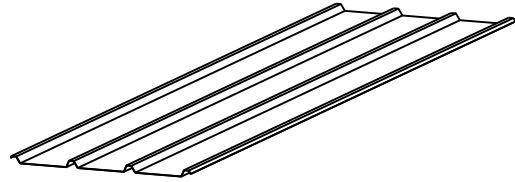
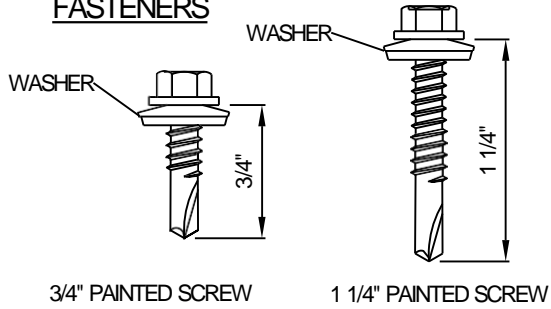
1. INSTALLATION TO BE COMPLETED IN ACCORDANCE WITH MANUFACTURERS SPECIFICATIONS.



All Structural Parts:

- TUBE: ASTM A500 GRADE B.
- PLATE: ASTM.
- A36 BOLTS ASTM A325.
- NUTS: ASTM A563.
- WELDING: GMAW.

FASTENERS



METAL ROOF INSTALLATION

