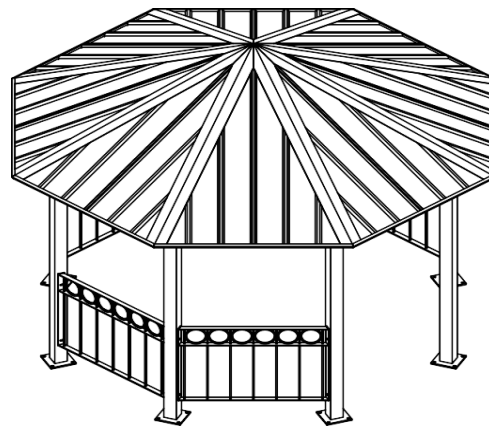
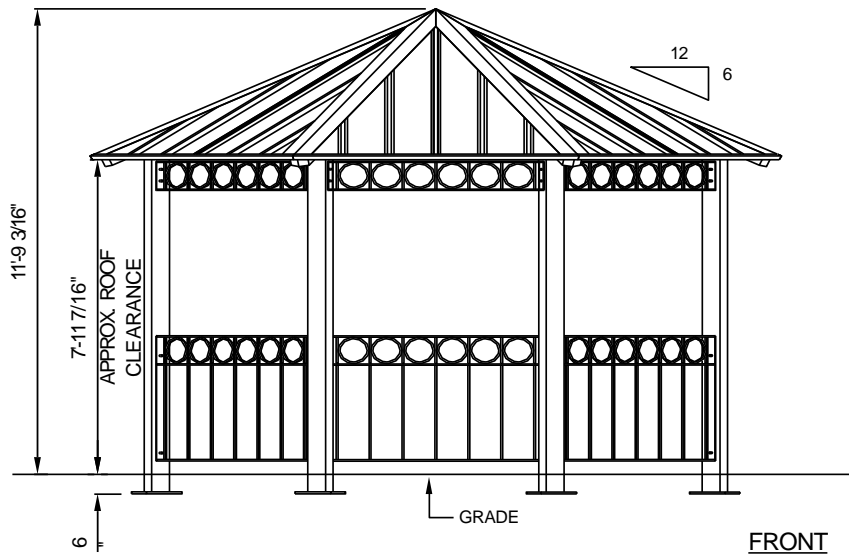
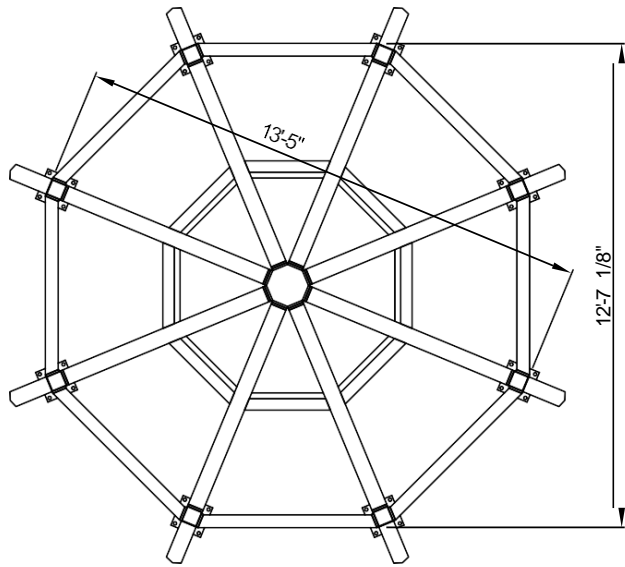
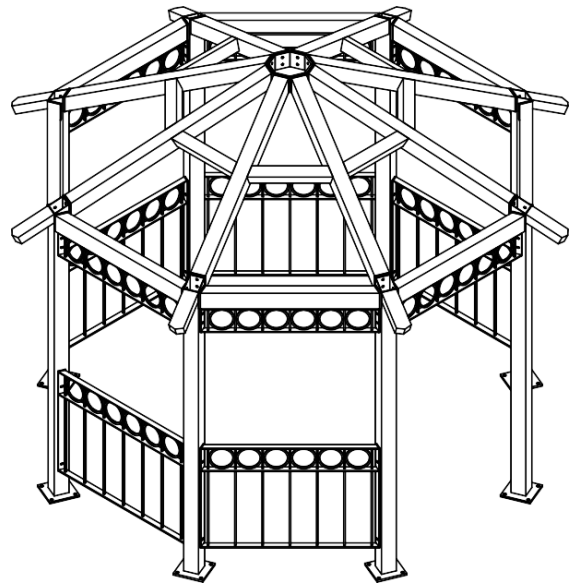
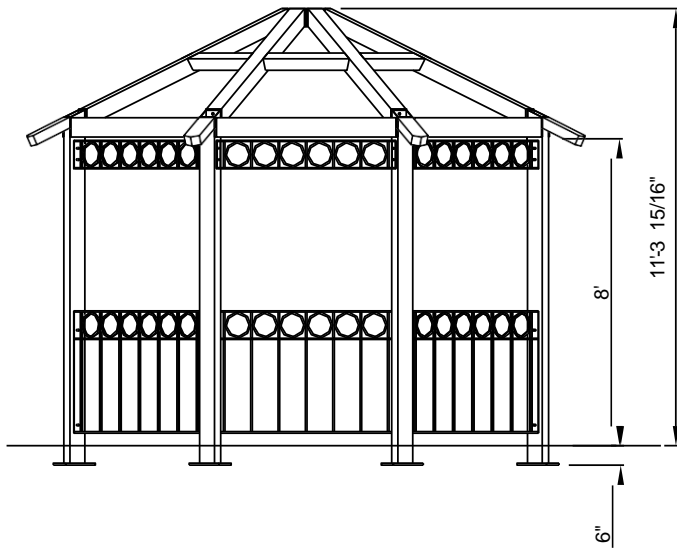


Octagon One Tier Steel Structure Park Gazebo
GAZO1T





PLAN

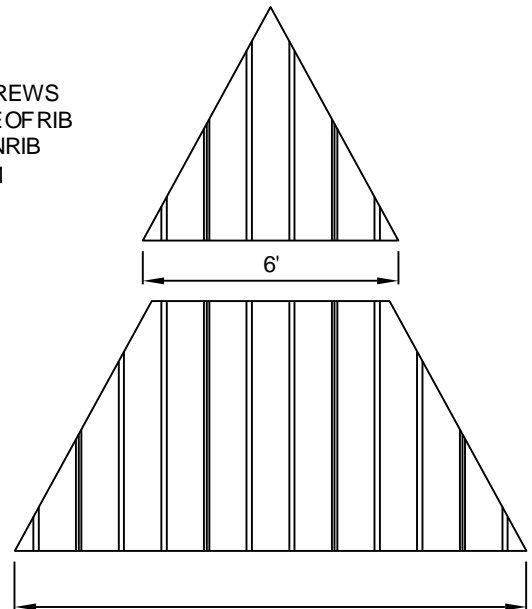
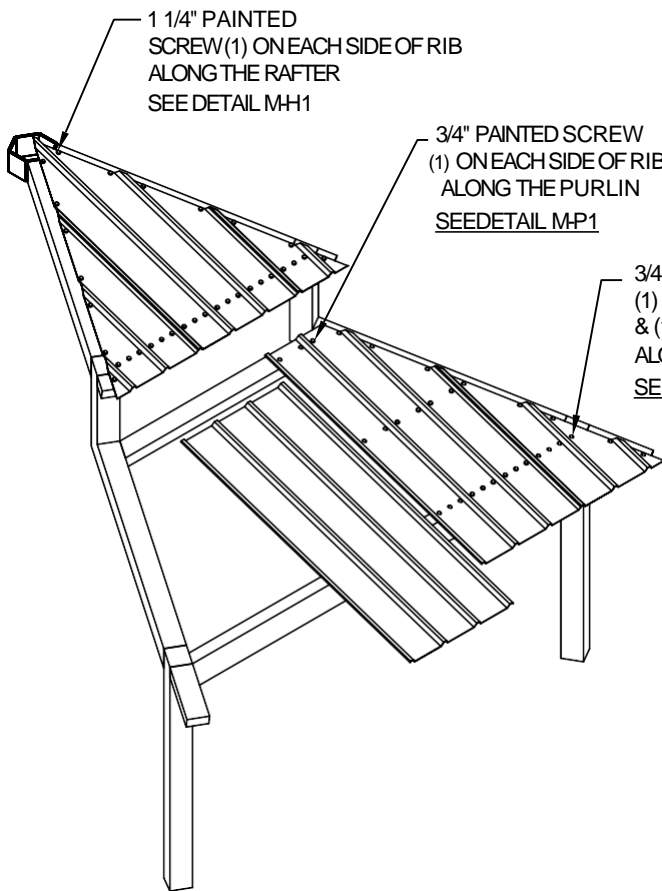
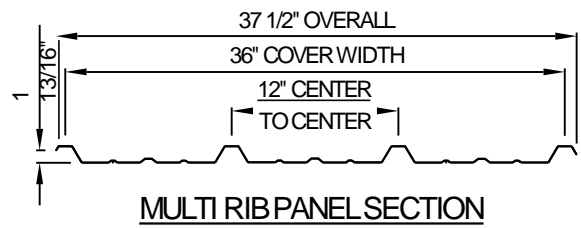
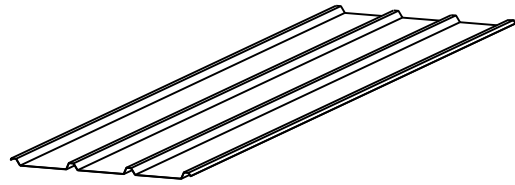
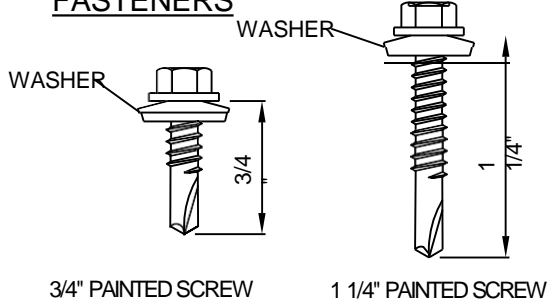


ISOMETRIC

ALL STRUCTURAL COMPONENTS WILL BE:
 TUBE: ASTM A500 GRADE B
 PLATE: ASTM A36
 BOLTS: ASTM A325
 NUTS: ASTM A563
 WELDING: GMAW

NOTE:
 COLUMN SIZE: HSS5X5X0.1875

FASTENERS



LOADCOMBINATION	FOUNDATION LOADS				
	AXIAL(X)	SHEAR(Y)	SHEAR(Z)	MOMENT(Y)	MOMENT(Z)
DL	0.30	0.00	0.00	0.03	0.00
SL	0.61	0.00	0.00	0.01	0.00
W-UPLIFT	-0.51	0.11	-0.05	5.09	12.34
W-FY	-0.51	0.11	-0.05	5.09	12.34
W-FZ	-0.44	0.05	-0.11	12.35	5.12
E-FY	0.00	-0.05	0.02	-2.17	-5.24
E-Z	0.01	0.02	0.05	-5.24	2.17

THESE FOUNDATION LOADS ARE FOR ESTIMATING PURPOSE ONLY.
THE ACTUAL LOADS WILL BE DETERMINED IN THE FINAL ENGINEERING

NOTES:

- TABLE SHOWS UNFACTORED SERVICE LOADS
- A FOUNDATION DESIGN HAS NOT BEEN PERFORMED BY ICON SHELTER SYSTEMS INC.
- A LICENSED ENGINEER FAMILIAR WITH SOIL CONDITIONS AT CONSTRUCTION SITE MUST PERFORM A FOUNDATION DESIGN.
- THE STRUCTURE HAS BEEN ENGINEERED AS AN OPEN STRUCTURE.
- CONSULT ICON SHELTER SYSTEMS INC. IF THE STRUCTURE IS TO BE ENCLOSED.
- COORDINATES ARE LOCAL TO THE COLUMN

DEFINITIONS:

- DL = SERVICE LEVEL DEAD LOAD REACTION WITH THE GREATEST AXIAL LOAD
- SL = SERVICE LEVEL SNOW LOAD REACTION WITH THE GREATEST AXIAL LOAD
- W-UL = SERVICE LEVEL WIND LOAD REACTION WITH THE GREATEST UPLIFT LOAD
- W-Y = SERVICE LEVEL WIND LOAD REACTION WITH THE GREATEST MAGNITUDE OF SHEAR IN THE LOCAL Y DIRECTION
- W-Z = SERVICE LEVEL WIND LOAD REACTION WITH THE GREATEST SHEAR VALUE ACTING IN THE SAME DIRECTION AS THE DL SHEAR LOAD
- E-Y = SERVICE LEVEL SEISMIC LOAD REACTION WITH THE GREATEST MAGNITUDE OF SHEAR IN THE LOCAL Y DIRECTION
- E-Z = SERVICE LEVEL SEISMIC LOAD REACTION WITH THE GREATEST MAGNITUDE OF SHEAR IN THE LOCAL Z DIRECTION

