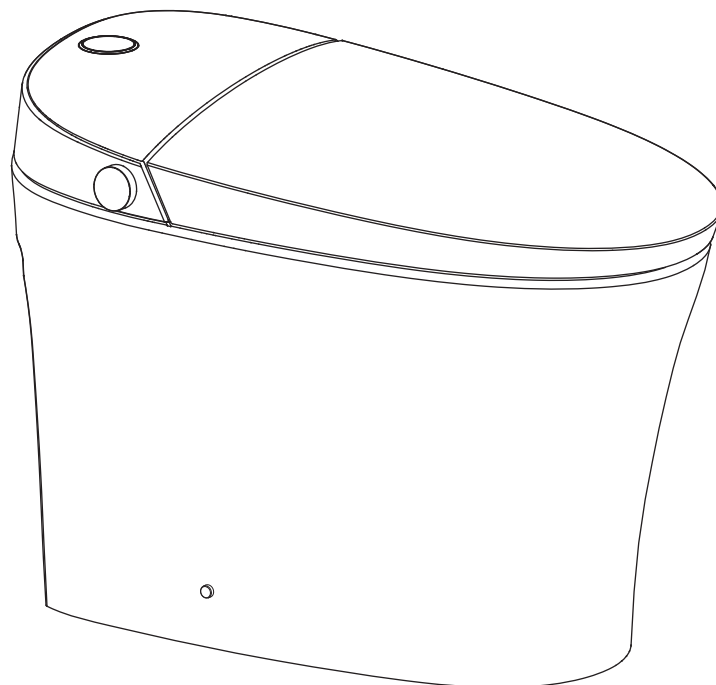


ENJOY SMART LIFE

EPLO®



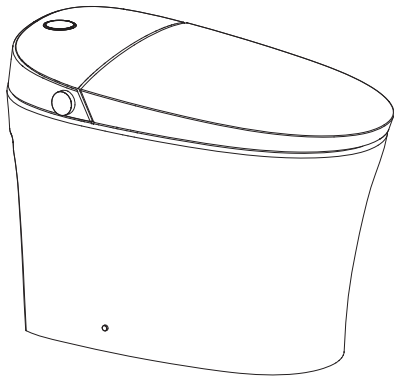
Installation Manual

■ Model: E18PRO/E13PRO

- Thank you for choosing our products. Please read the instructions carefully before installation and keep it available for future maintenance or reference.

E-mail: service@eplo.com

List of materials



Main Unit



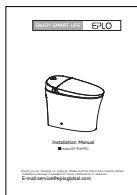
Remote Control Components



Sealing Flange



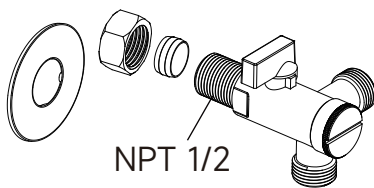
Installation Cardboard



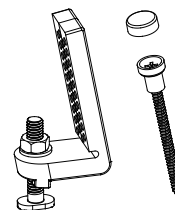
Installation Manual



Braided Hose
(Installed)



Three way angle valve

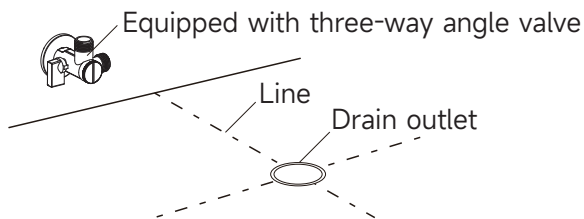


Mounting Kit

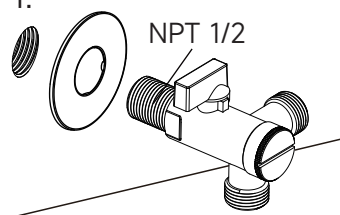
Toilet installation

1. Installation of angle valve

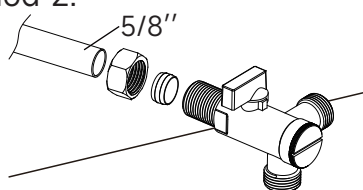
- Draw drain outlet centerline on the floor. Install angle valve at proper position on the wall according to the dimension of toilet.



Installation Method 1:



Installation Method 2:

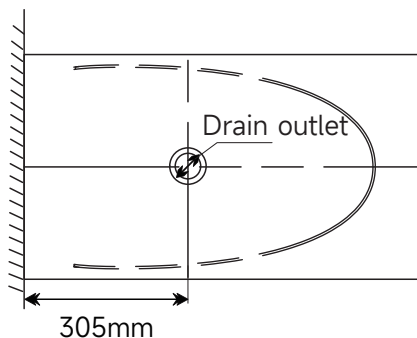


Note:

1. Please use the supplied angle valve when installing this toilet. Use of another angle valve not including a filter may result in blockages in the toilet and bidet waterways.
2. If replacing an existing angle valve, please contact a professional for installation.

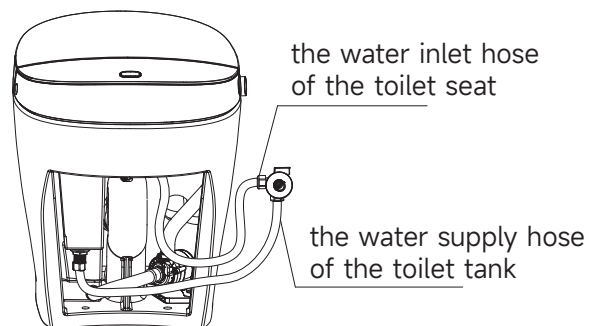
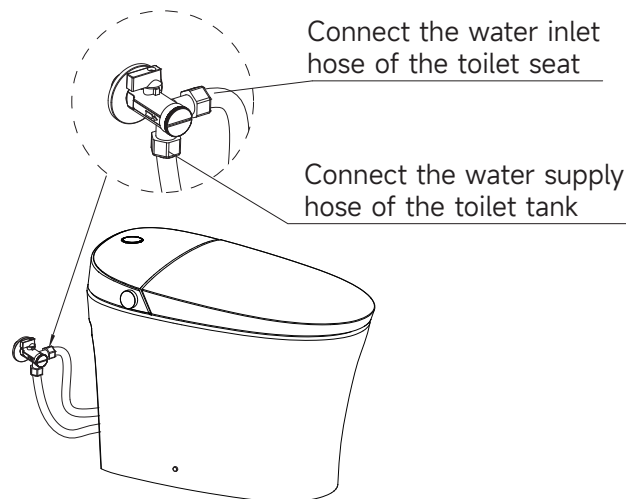
2. Cardboard installation

- Align cardboard with the centerline of drain outlet.
- Draw contour line according to cardboard.



3. Hose

- Connect the water inlet and angle valve of the toilet with the matching hose and tighten it.

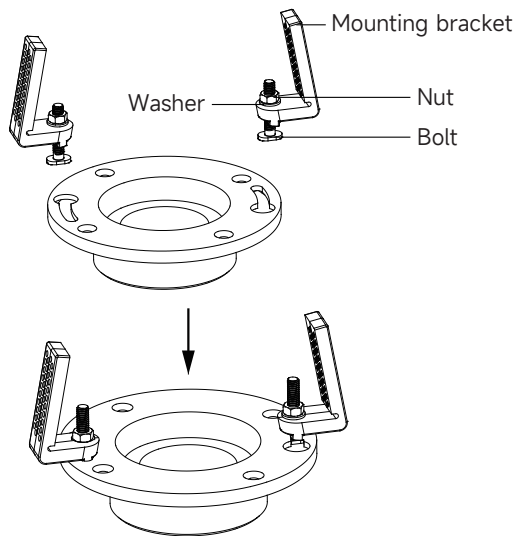


Note:

Please use this supplied water supply hose, to ensure optimal flushing performance.

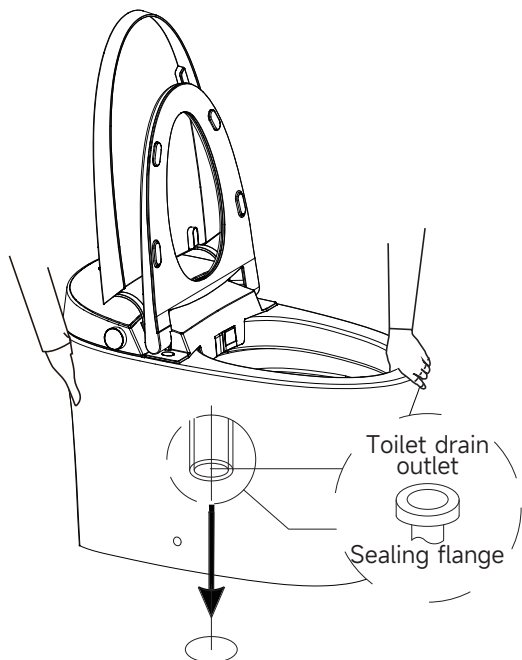
4. Mounting bracket installation

- Assemble the mounting bracket with bolts and then install them to the pre-installed flange plate on the ground and lock tight with nuts.



5. Ceramic toilet installation

- Install a sealing flange into drain outlet.
- Install ceramic toilet on the corresponding position.

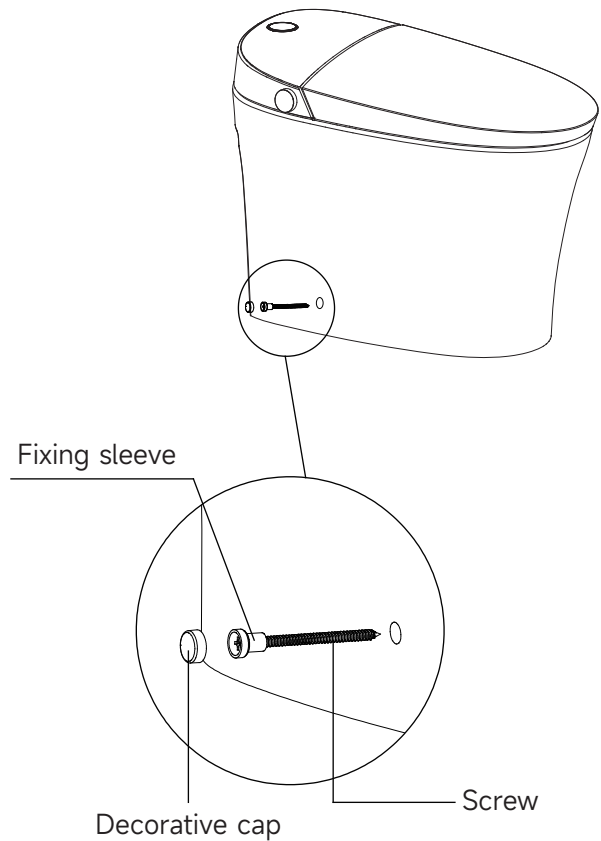


Note:

1. Two people are required to carry the toilet.
2. Please clean up the drain outlet;
3. Please make sure ceramic toilet outlet sits perfectly on drain outlet.

6. Screw installation

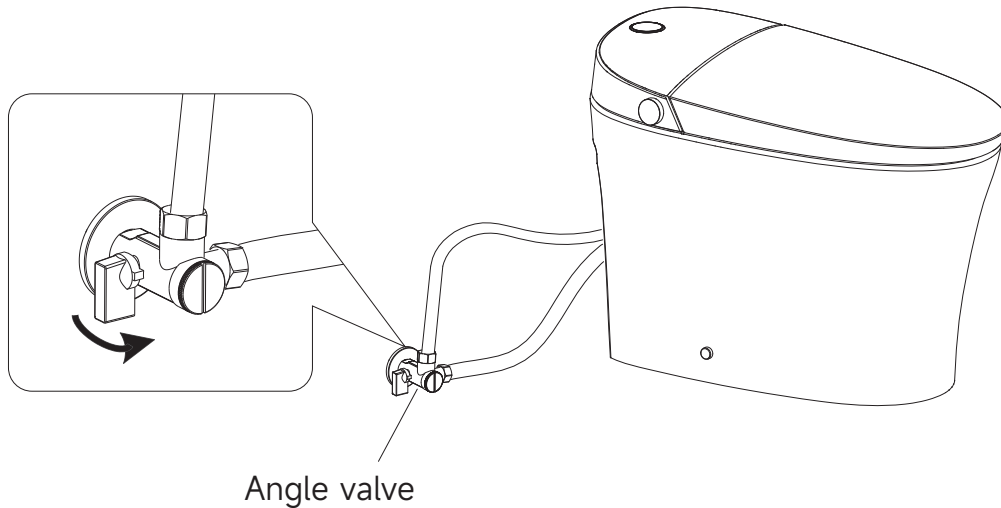
- Put the screw through the fixing sleeve and then install it through the holes (on both sides of the toilet ceramic) to the mounting bracket on the ground. Lock tight.
- Install the decorative cap on the fixing sleeve.



Preparation

1. Turn on the angle valve

- Check the threaded connection for leaks to ensure complete sealing. Turn the angle valve counterclockwise to the full open position.
(Note: The angle valve opens with a large torque for the first time.)



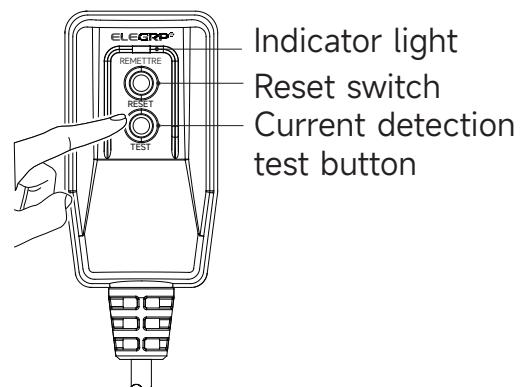
2. Power Connection

- Insert the leakage protection plug into a power socket, press the reset switch, plug indicator lights up, indicating that the power is on.

Note:

Press the test button prior to usage, the reset switch pops up indicating that the leakage protection function is normal.

Press the TEST button (then RESET button) every month to assure proper operation.



- * Only for models with leakage protection plug.
- * Please refer to the actual product.

3. Self-inspection

- a. Once power is connected, the buzzer beeps. The knob lights up in white, and the self-inspection starts.
- b. The buzzer beeps again, then the self-inspection completes.
- c. The product is ready to use.