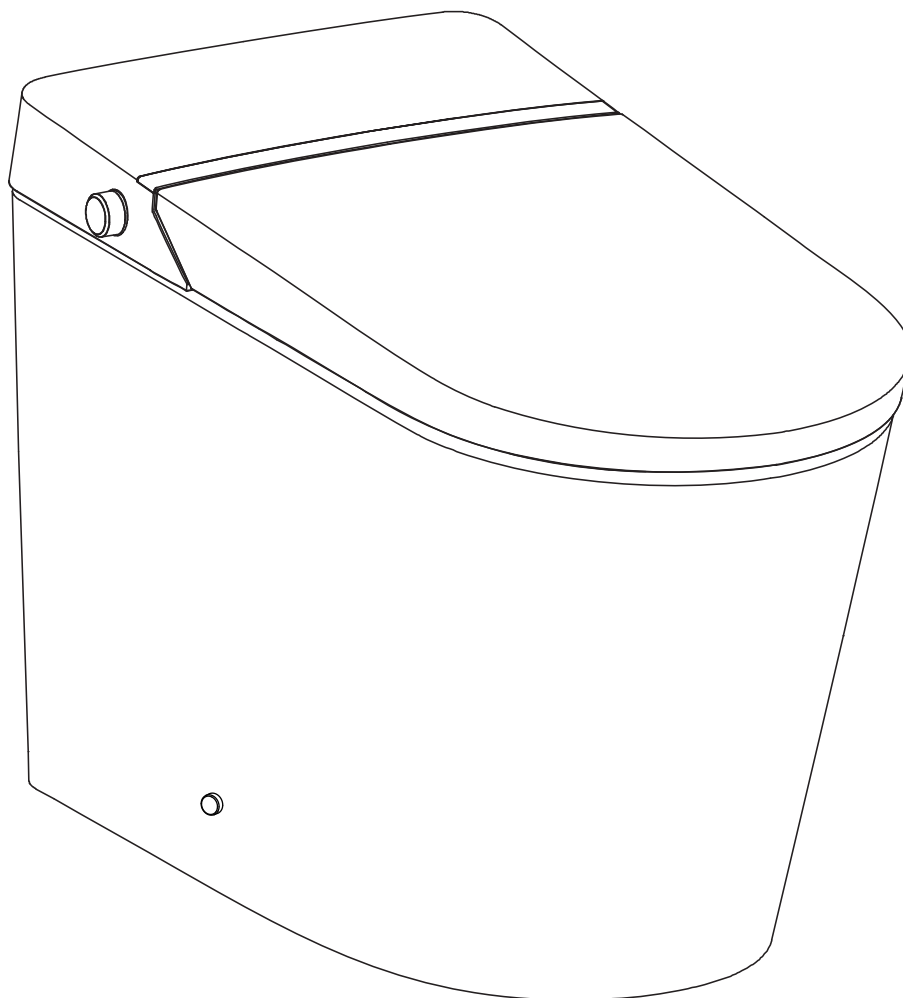


ENJOY SMART LIFE

EPLO®



Installation Guidelines

■ Model:G20PRO/G27PRO

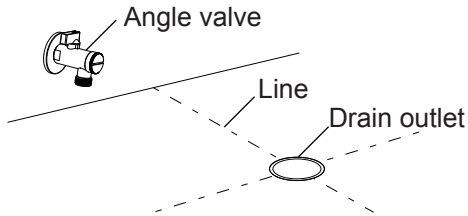
Thank you for choosing our products. Please read the instructions carefully before installation and keep it available for future maintenance or reference.

E-mail:service@eplo.com

Toilet installation

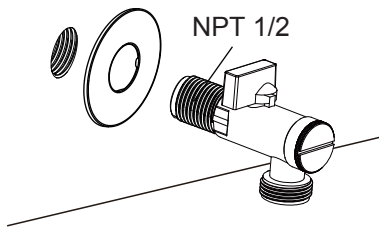
1. Installation of angle valve

- Draw drain outlet centerline on the floor. Install angle valve at proper position on the the wall according to dimension of toilet.

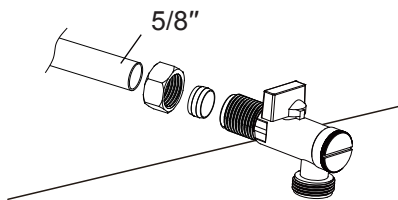


- Choose the correct size of mating angle valve that compatible with your water outlet from the package.

Installation Method 1:

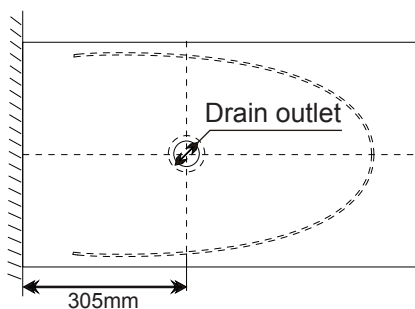


Installation Method 2:



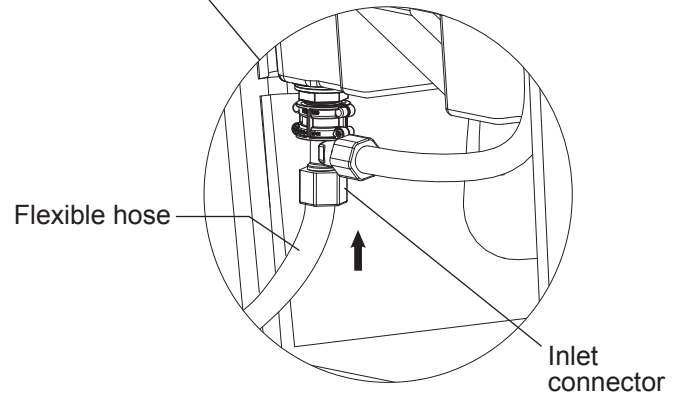
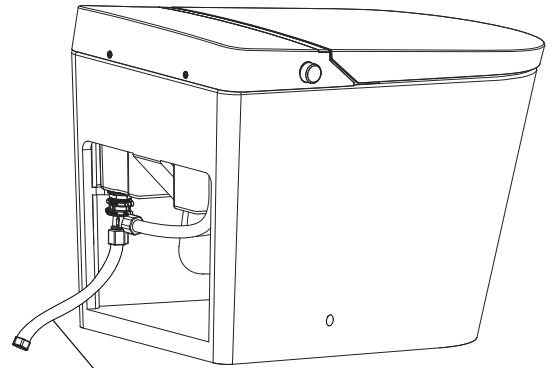
2. Cardboard installation

- Align cardboard with the centerline of drain outlet.
- Draw contour line according to cardboard.



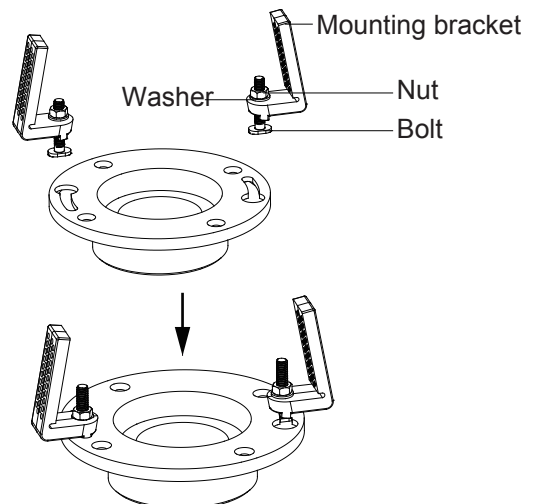
3. Connect hose to toilet water inlet

- Connect one end of hose to the water inlet of the toilet and tighten the connection.



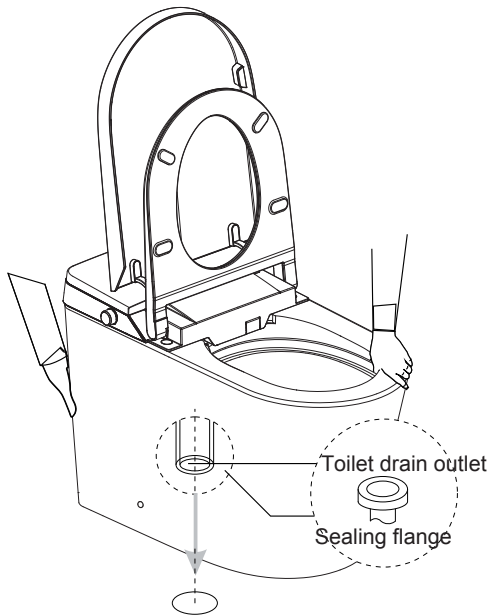
4. Mounting bracket installation

- Assemble the mounting bracket with bolts and then install them to the pre-installed flange plate on the ground and lock tight with nuts.



5. Ceramic toilet installation

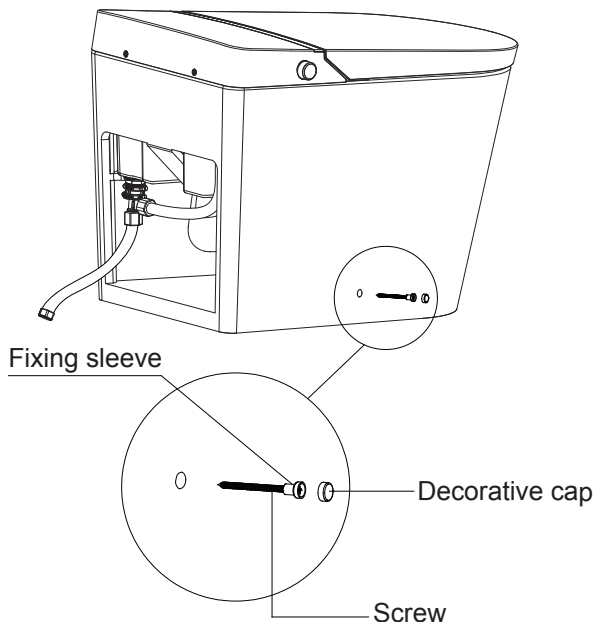
- Install a sealing flange into drain outlet.
- Install ceramic toilet on the corresponding position.



Note: Two people are required to carry the toilet.

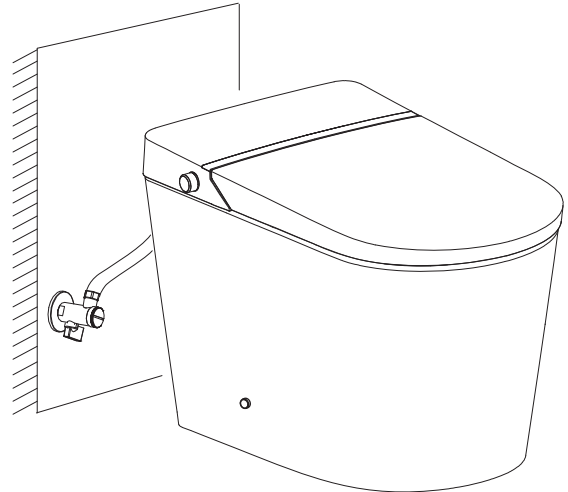
6. Screw installation

- Put the screw through the fixing sleeve and then install it through the holes (on both sides of the toilet ceramic) to the mounting bracket on the ground, and lock tight with a tool.
- Put the decorative cap on the fixing sleeve.



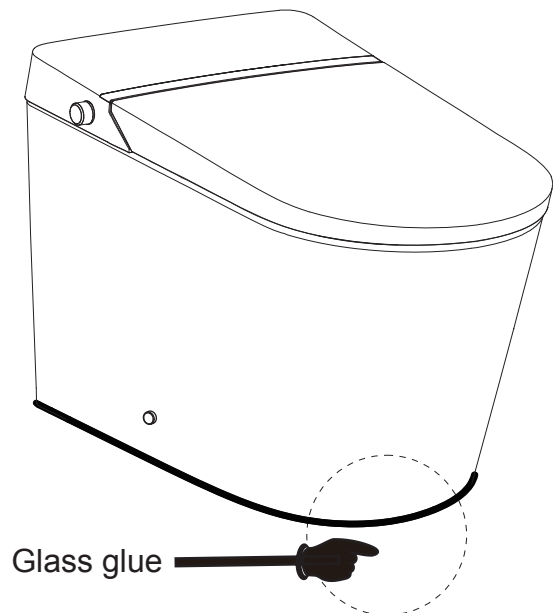
7. Connect hose to angle valve

- Connect the other end of hose to angle valve and tighten the connection.



8. Glass glue application

- Apply high quality mildew-proof glass glue around the lower edge of the toilet.

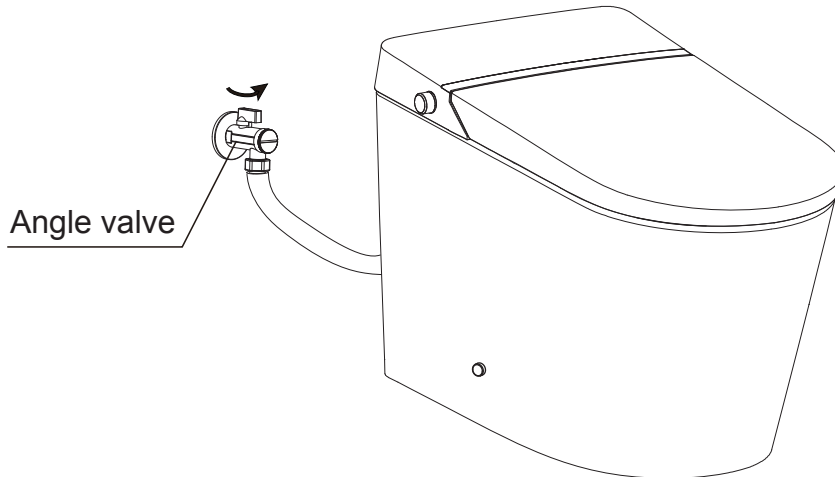


Note:
Please clean up the drain outlet;
Please make sure ceramic toilet outlet sits perfectly on drain outlet.

Preparation

1. Turn on the angle valve

- Check the threaded connection for leaks to ensure complete sealing. Turn the angle valve counterclockwise to the full open position.
(Note: The angle valve opens with a large torque for the first time.)

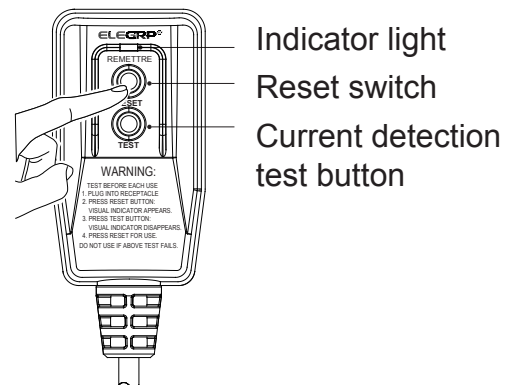


2. Power Connection

- Insert the leakage protection plug into a power socket, press the reset switch, plug indicator lights up, indicating that the power is on.

Note:

Press the test button prior to usage, the reset switch pops up indicating that the leakage protection function is normal.



- * Only for models with leakage protection plug.
- * Please refer to the actual product.

3. Self-inspection

1. Once power is connected, the buzzer beeps. The knob lights up in blue, and the self-inspection starts.
2. The buzzer beeps again, then the self-inspection completes, and the knob lights up in red.
3. The product is ready to use.