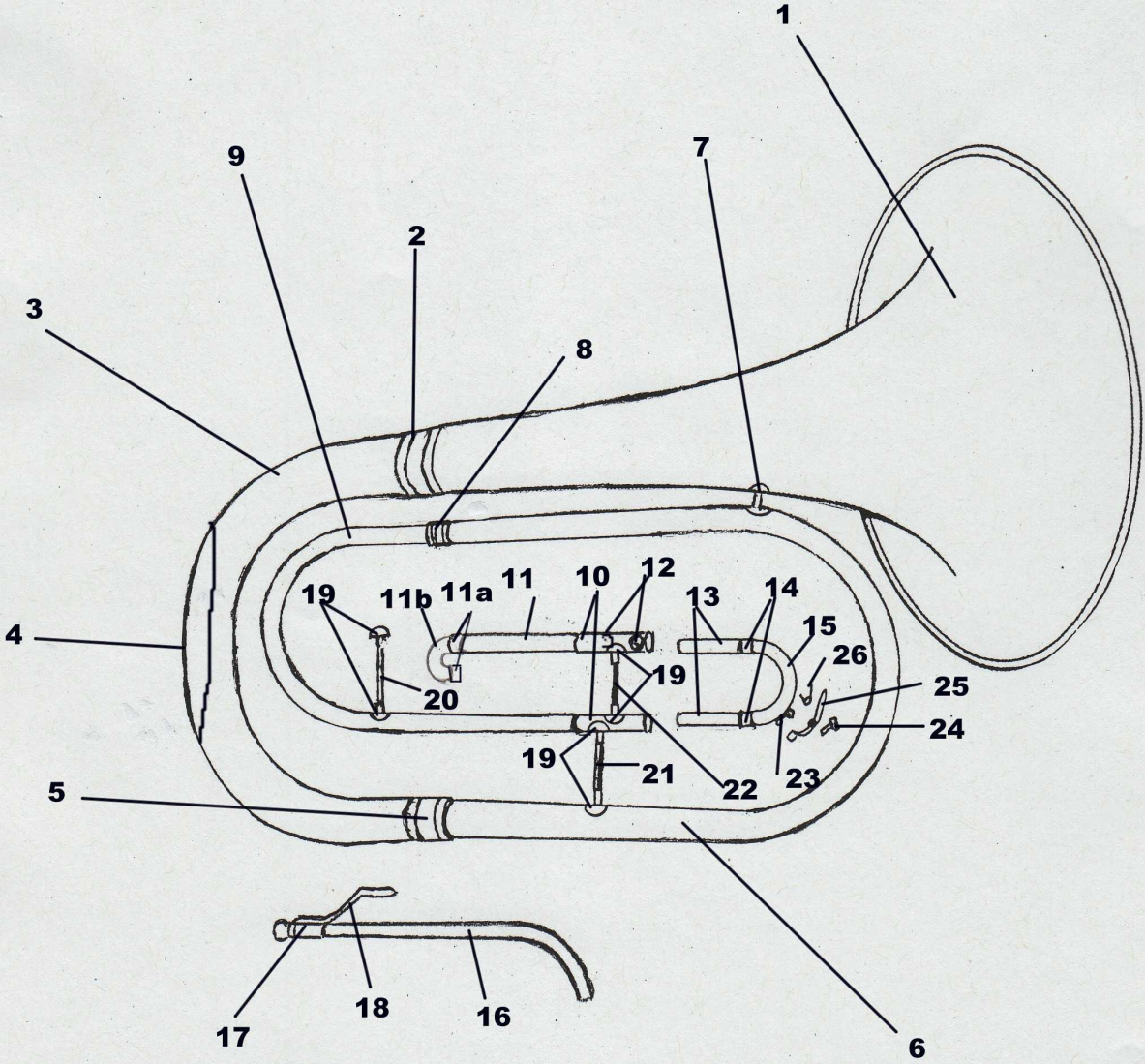
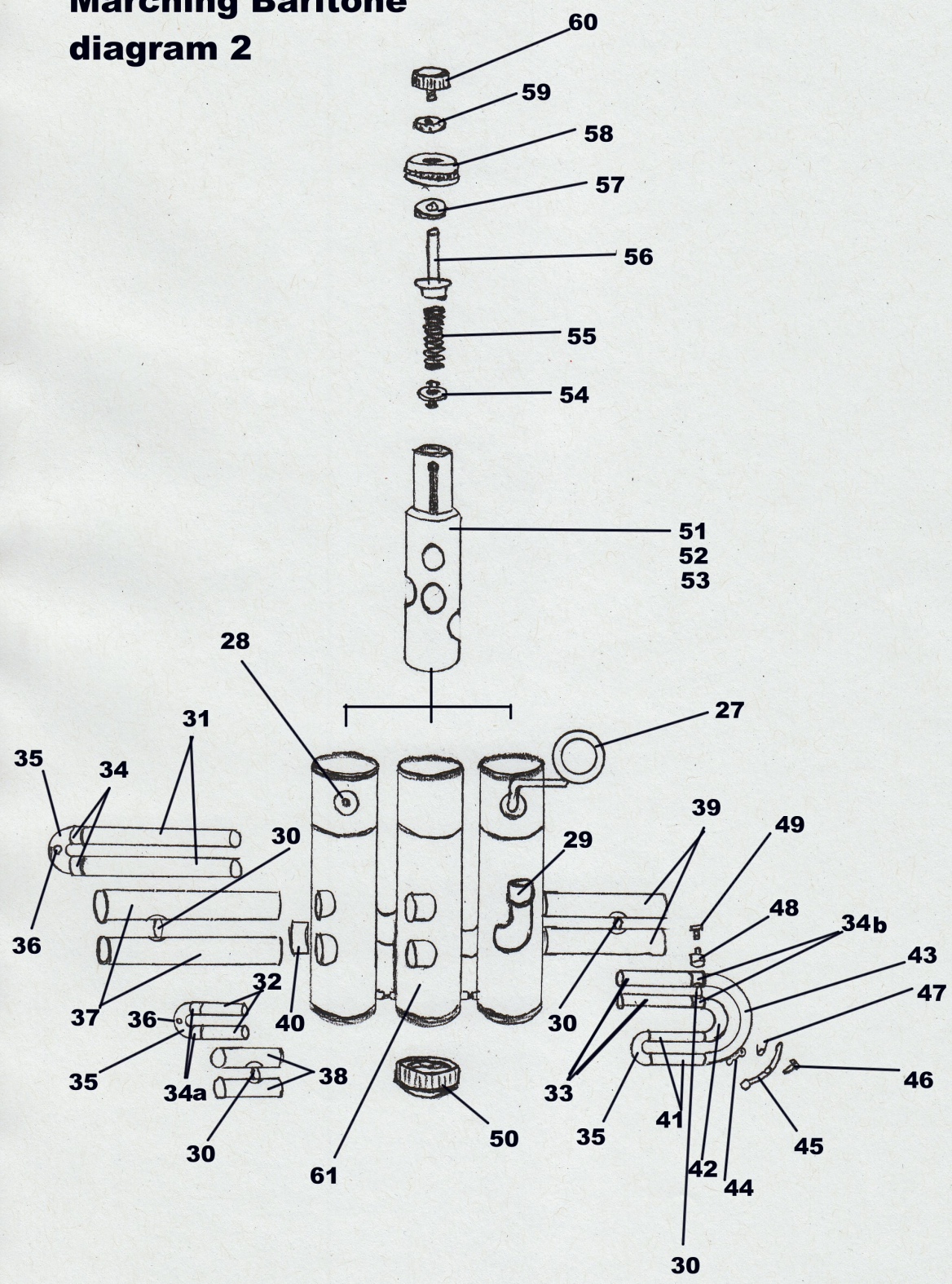


**TE-780**  
**Marching Baritone**  
**diagram 1**





**TE-780**  
**Marching Baritone**  
**diagram 2**





## TE-780 Marching Baritone

| Diag. | Part #    | Description                                    |
|-------|-----------|--|
|       | 1 780-01  | Bell   |
|       | 1 780-02  | Ferrule, Bell to 1st Branch                    |
|       | 1 780-03  | 1st Branch                                     |
|       | 1 780-04  | Bow Guard, 1st Branch                          |
|       | 1 780-05  | Ferrule, 1st Branch to 2nd Branch              |
|       | 1 780-06  | 2nd Branch                                     |
|       | 1 780-07  | Brace, 1 piece, 2nd Branch to Bell             |
|       | 1 780-08  | Ferrule, 2nd Branch to 3rd Branch              |
|       | 1 780-09  | 3rd Branch                                     |
|       | 1 780-10  | Outer Tube, Main T. Slide (per tube)           |
|       | 1 780-11  | Straight Tube, Mn T. Sl. To Valve Crook        |
|       | 1 780-11a | Ferrule, Straight Tube to Crook (per ferrule)  |
|       | 1 780-11b | Crook to 1st valve                             |
|       | 1 780-12  | Brace, 1 piece M. T Sl to 3rd Sl. (2 braces)   |
|       | 1 780-13  | Inner Tube, Main T. Sl. (per tube)             |
|       | 1 780-14  | Ferrule, Mian T. Sl. (per ferrule)             |
|       | 1 780-15  | Crook, Main T.Sl.                              |
|       | 1 780-16  | Mouthpipe                                      |
|       | 1 780-17  | Mouthpiece Receiver                            |
|       | 1 780-18  | Brace, "S", Receiver to 1st Branch             |
|       | 1 780-19  | Brace Socket, adjustable brace (per socket)    |
|       | 1 780-20  | Brace Rod, 3rd Branch to 1st Slide             |
|       | 1 780-21  | Brace Rod, 2nd Branch to M. T. Sl              |
|       | 1 780-22  | Brace Rod, between M.T. Sl. Tubes              |
|       | 1 780-23  | Water Key Saddle                               |
|       | 1 780-24  | Water Key Screw                                |
|       | 1 780-25  | Water Key                                      |
|       | 1 780-26  | Watrer Key Spring                              |
|       | 2 780-27  | Finger Ring                                    |
|       | 2 780-28  | Brace, 1 piece, Casing to Mouthpipe            |
|       | 2 780-29  | Ferrule, Mouthpipe to 3rd Casing Knuckle       |
|       | 2 780-30  | Brace,1 piece, Between outer valve slide tubes |
|       | 2 780-31  | Inner Tube, 1st Slide (per tube)               |
|       | 2 780-32  | Inner Tube, 2nd Slide (per tube)               |
|       | 2 780-33  | Inner Tube, 3rd Slide (per tube)_              |
|       | 2 780-34  | Ferrule, 1st Slide (per ferrule)               |
|       | 2 780-34a | Ferrule, 2nd Slide (per ferrule)               |
|       | 2 780-34b | Ferrule, 3rd Slide (per ferrule)               |
|       | 2 780-35  | Crook, 1st, 2nd, 3rd Slide (per crook)         |
|       | 2 780-36  | Pull Knob, 1st, 2nd slide(per knob)            |
|       | 2 780-37  | Outer Tube, 1st Slide (per tube)               |
|       | 2 780-38  | Outer Tube, 2nd Slide (per tube)               |
|       | 2 780-39  | Outer Tube, 3rd Slide (per tube)               |
|       | 2 780-40  | Ferrule, 1st Casing #11b                       |
|       | 2 780-41  | Nickel Tubes, 3rd Slide (per tube)             |
|       | 2 780-42  | Crook, (medium) 3rd Slide                      |
|       | 2 780-43  | Crook, (large) 3rd Slide                       |
|       | 2 780-44  | Water Key Saddle, 3rd Slide                    |

## TE-780 Marching Baritone

| Diag. | Part #   | Description                                 |
|-------|----------|---|
|       | 2 780-45 | Water Key, 3rd Slide                        |
|       | 2 780-46 | Water Key Screw, 3rd Slide                  |
|       | 2 780-47 | Water Key Spring, 3rtd Slide                |
|       | 2 780-48 | Lyre Holder                                 |
|       | 2 780-49 | Lyre Holder Screw                           |
|       | 2 780-50 | Bottom Valve Cap (all valves, per cap)      |
|       | 2 780-51 | #1 Piston                                   |
|       | 2 780-52 | #2 Piston                                   |
|       | 2 780-53 | #3 Piston                                   |
|       | 2 780-54 | Plastic Valve Guide (all valves, per guide) |
|       | 2 780-55 | Spring (all valves, per spring)             |
|       | 2 780-56 | Valve Stem (all valves, per stem)           |
|       | 2 780-57 | Felt for valve stems (all valves, per felt) |
|       | 2 780-58 | Top Cap (all valves, per cap)               |
|       | 2 780-59 | Button Felt (all valves, per felt)          |
|       | 2 780-60 | Finger Button (all valves, per button)      |
|       | 2 780-61 | Valve Casing Cluster                        |