

Parts List TE-410 Tuba Parts List
Retail Price

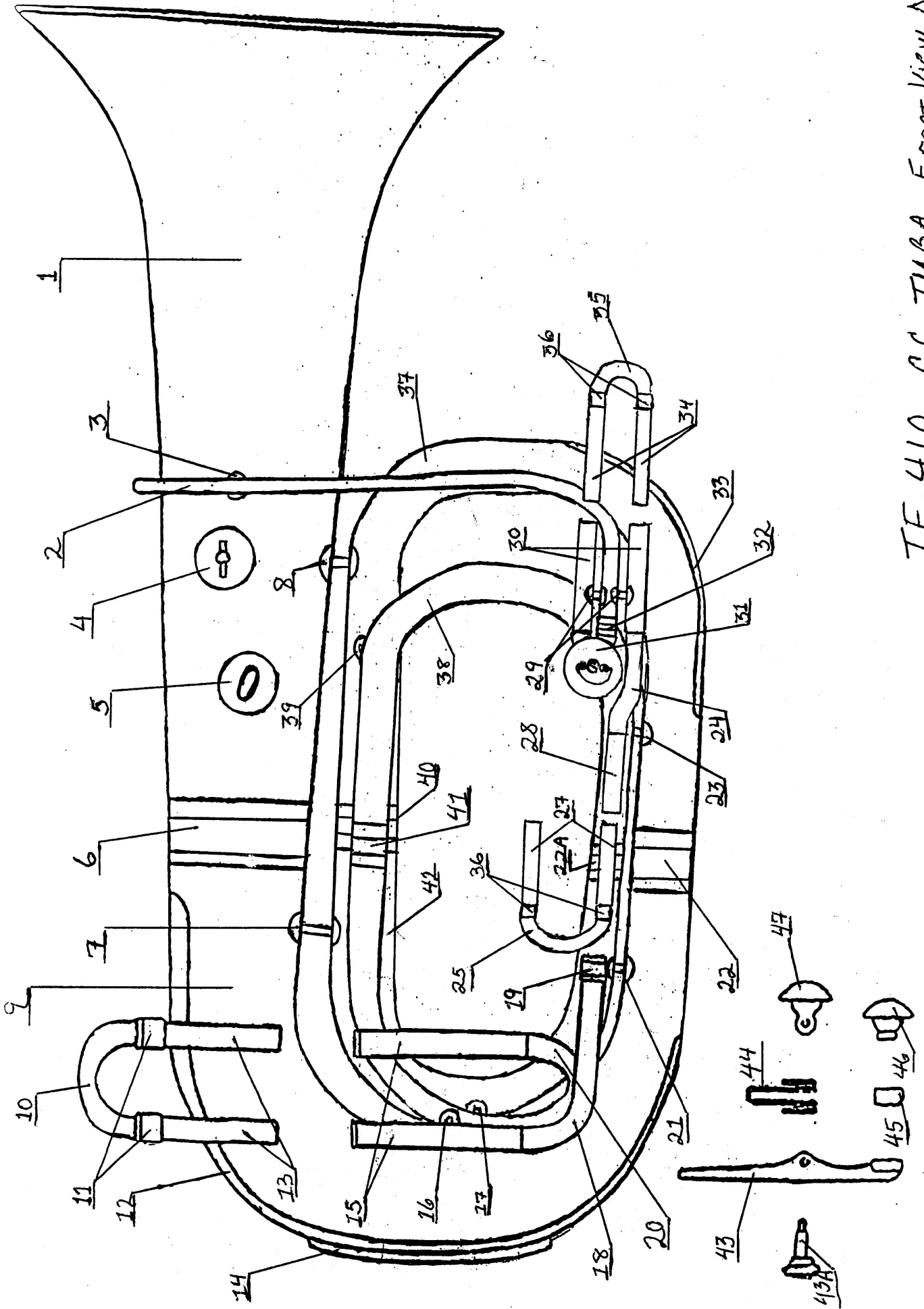
Dia.	Part #	Description		
1	410-01	Bell, raw brass		
1	410-02	Mouthpipe		
1	410-03	Mouthpipe Support Brace		
1	410-04	Lyre Holder w/ screw		
1	410-05	Adjustable Thumb Ring		
1	410-06	Ferrule bet. Bell and Bottom Bow		
1 & 2	410-07	Brace, Bottom Bow to 2nd branch, bell side		
1 & 2	410-08	Brace, bell to 1st branch		
1	410-09	Bottom Bow		
1	410-10	Main Tuning Slide Crook		
1	410-11	Ferrule for Main T. Sl.		
1	410-12	Protective Guard, Bottom Bow		
1	410-13	Inner Slide Tube, Main T. Sl.		
1	410-14	Guard Wire, Bottom Bow		
1	410-15	Outer Slide Tube, Main T. Sl.		
1	410-16	Brace, 4th branch to lower t. slide outer		
1	410-17	Brace, 2nd branch to 4th branch		
1	410-18	Water Key Bow		
1	410-19	Ferrule, 4th Rotor to Water Key Bow		
1	410-20	4th Branch		
1 & 2	410-21	Brace, Bottom Bow to 2nd Branch		
1	410-22	Ferrule bet. Bottom Bow and 1st Branch		
1	410-22A	Ferrule bet. 2nd and 3rd Branch		
1 & 2	410-23	Brace, bet. 1st and 3rd Branch		
1	410-24	"S" Tube, 5th Valve		
1	410-25	Crook, Lower 5th Slide		
1	410-27	Inner Slide Tube, Lower 5th		
1	410-28	Outer Tube, 5th Slide, lower		
1	410-29	Brace bet. Mouthpipe and 5th Slide Tube, upper		
1	410-30	Outer Slide Tube, 5th Slide, upper		
1	410-31	Rotor & Casing, 5		
1	410-32	Ferrule bet. Valves & Mouthpipe		
1	410-33	Protective Guard, 1st Branch		
1	410-34	Inner Slide Tube, 5th, upper		
1 & 3	410-35	Crook, 1st, 3rd and 5th slides.		
1 & 3	410-36	Ferrule bet. all Valve Slide Crooks & Slide Tubing		
1	410-37	1st Branch		
1	410-38	3rd Branch		
1	410-39	Brace, 1st branch to 3rd branch, bell side		
1	410-40	Ferrule bet. 1st and 2nd Branch		
1	410-41	Ferrule bet. 3rd and 4th Branch		
1	410-42	2nd Branch		
1	410-43	Water Key		
1	410-43A	Water Key Screw		
1	410-44	Water Key Spring		
1	410-45	Water Key Cork		
1	410-46	Water Key Nipple		
1	410-47	Water Key Saddle		

Parts List TE-410 Tuba Parts List
Retail Price

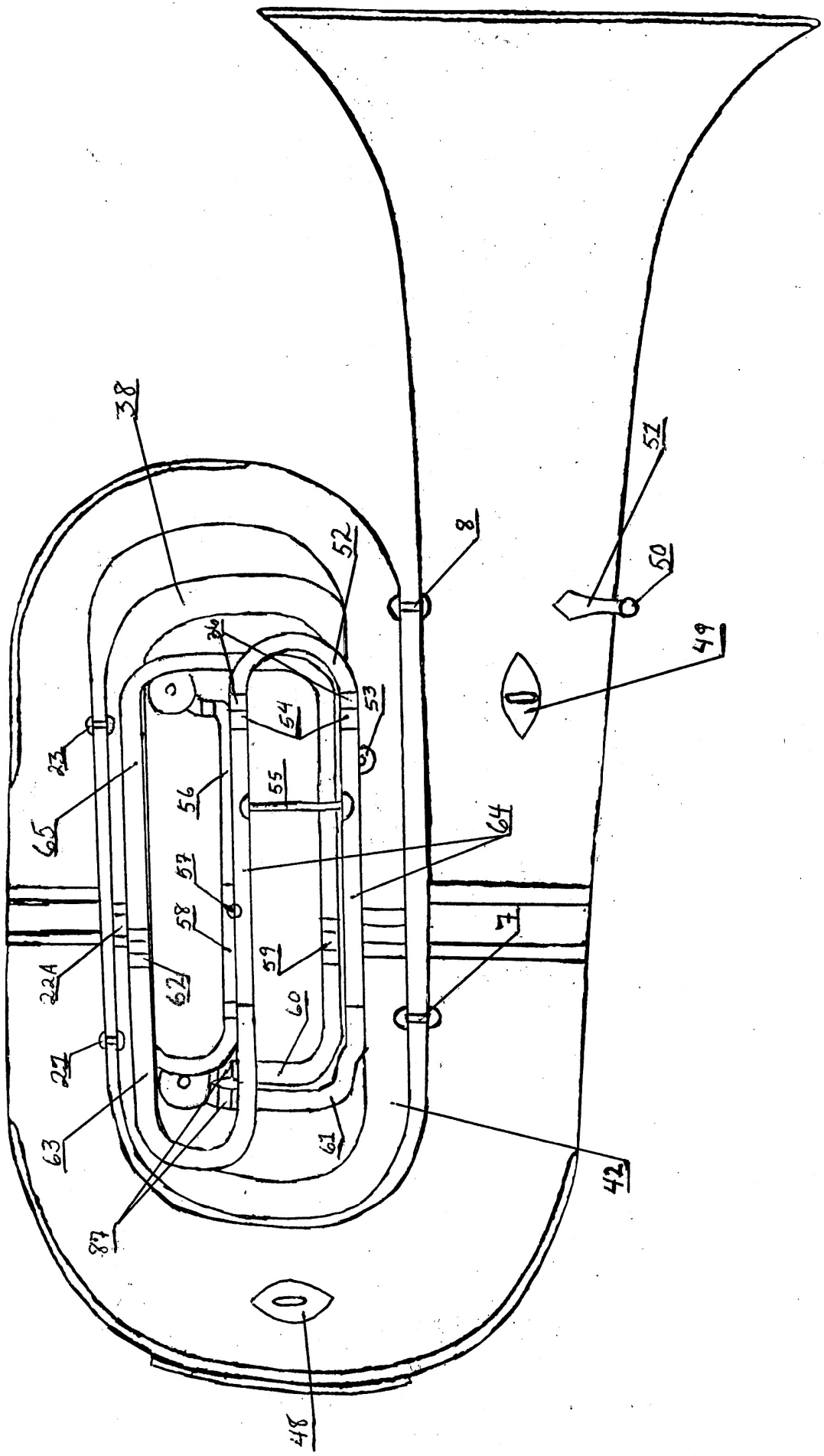
Dia.	Part #	Description		
2	410-48	Strapring and Strapring Plate, Bottom Bow		
2	410-49	Strapring and Strapring Plate, Bell		
2	410-50	Mouthpiece Receiver		
2	410-51	Brace, Lead Pipe to Bell		
2	410-52	Slide Crook, 4th Slide		
2	410-53	Brace bet. 4th Slide and 1st Branch		
2	410-54	Inner Slide Tube, 4th Slide		
2	410-55	Brace between 4th slide outer tubes		
2	410-56	Tubing, 5th, bet. Lower Outer Tube and Rotor		
2	410-57	Brace, 4th to 5th Slide Tubing		
2	410-58	Outer Tube, 5th Slide Lower		
2	410-59	Ferrule, 4th Tubing bet. Upper Knee & 4th Large Bow		
2 & 3	410-60	Knee, 4th Valve, upper		
2 & 3	410-61	Knee, 4th Valve, lower		
2	410-62	Ferrule, 4th valve tubing		
2	410-63	Small Bow, 4th Valve Tubing		
2	410-64	Outer Silde Tube, 4th Slide		
2	410-65	Large Bow, 4th Valve Tubing		
3	410-68	Inner Slide Tube, 1st Slide		
3	410-69	Outer Slide Tube, 1st Slide		
3	410-70	Brace bet. 1st T. Sl. Outer Tubes, and 3rd Slide		
3	410-71	Inner Slide Tube, 3rd Slide		
3	410-72	Outer Slide Tube, 3rd Slide		
3	410-73	Small Knee, 1st Valve		
3	410-74	Lever Brace, Upper		
3	410-75	Lever Saddle, 5th		
3	410-76	Lever Screw, 5th		
3	410-77	Lever, 5th		
3	410-77A	Lever Spring, 5th		
3	410-78	Large Knee, 1st Valve		
3	410-79A	1st Valve Key		
3	410-79B	2nd Valve Key		
3	410-79C	3rd Valve Key		
3	410-79D	4th Valve Key		
3	410-80	Pull Ring, 2nd Valve Slide		
3	410-81	Crook, 2nd T. Sl.		
3	410-83	Inner Slide Tube, 2nd Slide		
3	410-84	Outer Slide Tube, 2nd Slide		
3	410-85	3rd Valve Knee, Lower (Tubing)		
3	410-86	Ferrule, bet. Valve Casings		
3	410-87	Ferrule, casing to slide tubing, 1,3,4,5		
3	410-90	Lever Brace, Lower		
3	410-91	3rd Valve Knee Upper (Tubing)		
3	410-92	Push Rod, valves 1,2,3,4		
3	410-93	Push Rod, valve 5		
3	410-94	Metal Uniball Valve Link , stop arm end		
3	410-95	Metal Uniball Valve Link , lever end		
3	410-96	Uniball Link Retaining Screw, lever end, M3x.5		

Parts List TE-410 Tuba Parts List
Retail Price

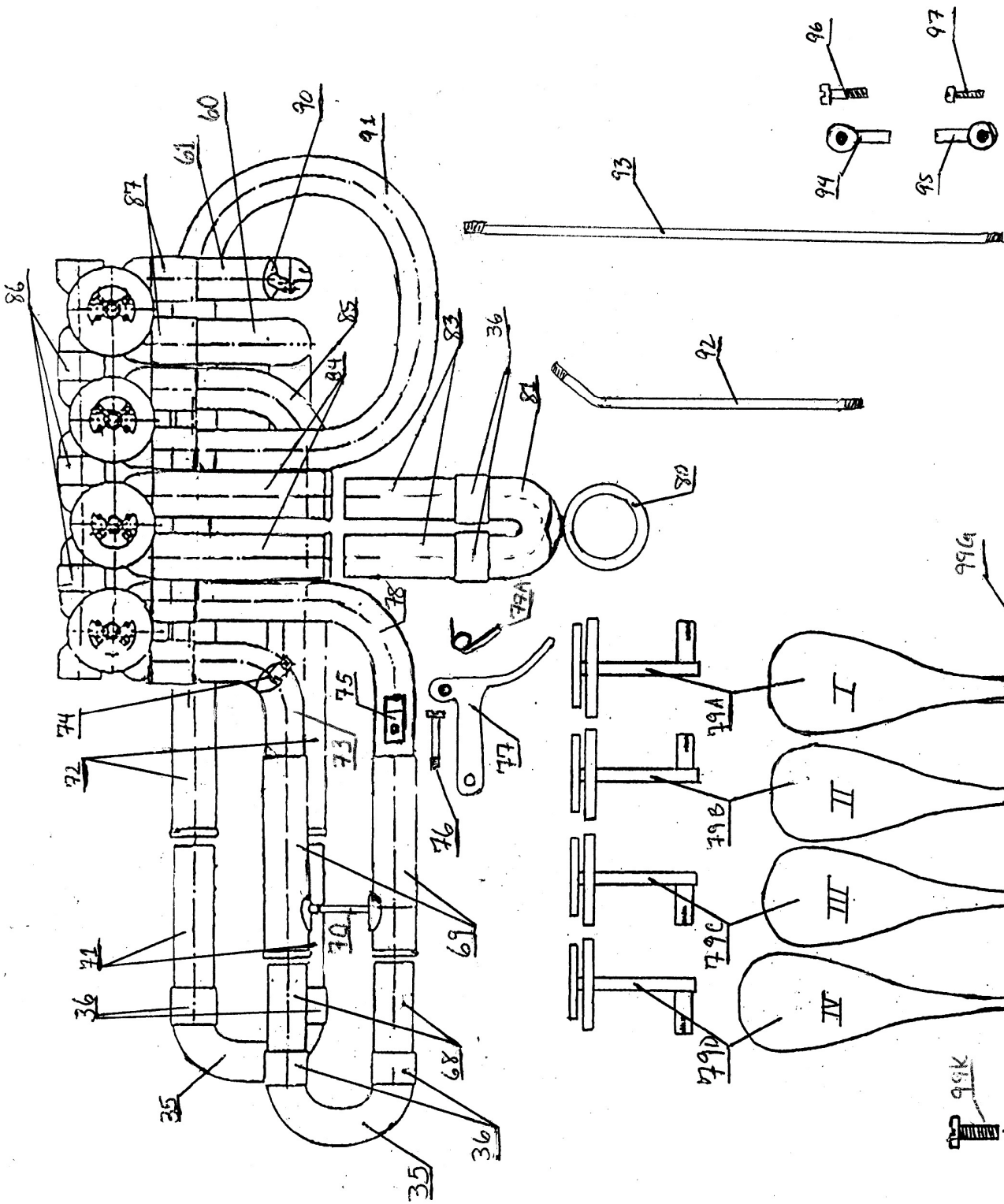
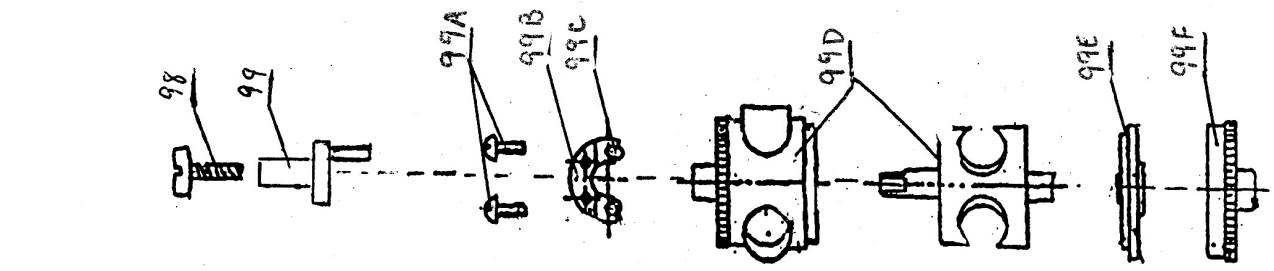
Dia.	Part #	Description		
3	410-97	Uniball Link Retaining Screw, stop arm end, M2.5x.45		
3	410-98	Stop Arm Retaining Screw		
3	410-99	Stop Arm		
3	410-99A	Stop Plate Retaining Screw		
3	410-99B	Stop Plate		
3	410-99C	Rubber Stop, 6 inch piece		
3	410-99D	Rotor & Casing, 1,2,3,4		
3	410-99E	Bearing Plate, all valves		
3	410-99F	Valve Cap		
3	410-99G	Lever Spiral Spring		
3	410-99H	Lever Holder		
3	410-99I	Lever Support Shaft		
3	410-99J	Lever Support Shaft Fastening Nut		
3	410-99K	Lever Holder Screw		



TE 410 CC TUBA Front View Dia.



TE-410 CC TUBA BACK VIEW DIA. 2



TE 410 CC TUBA Dia. 3

