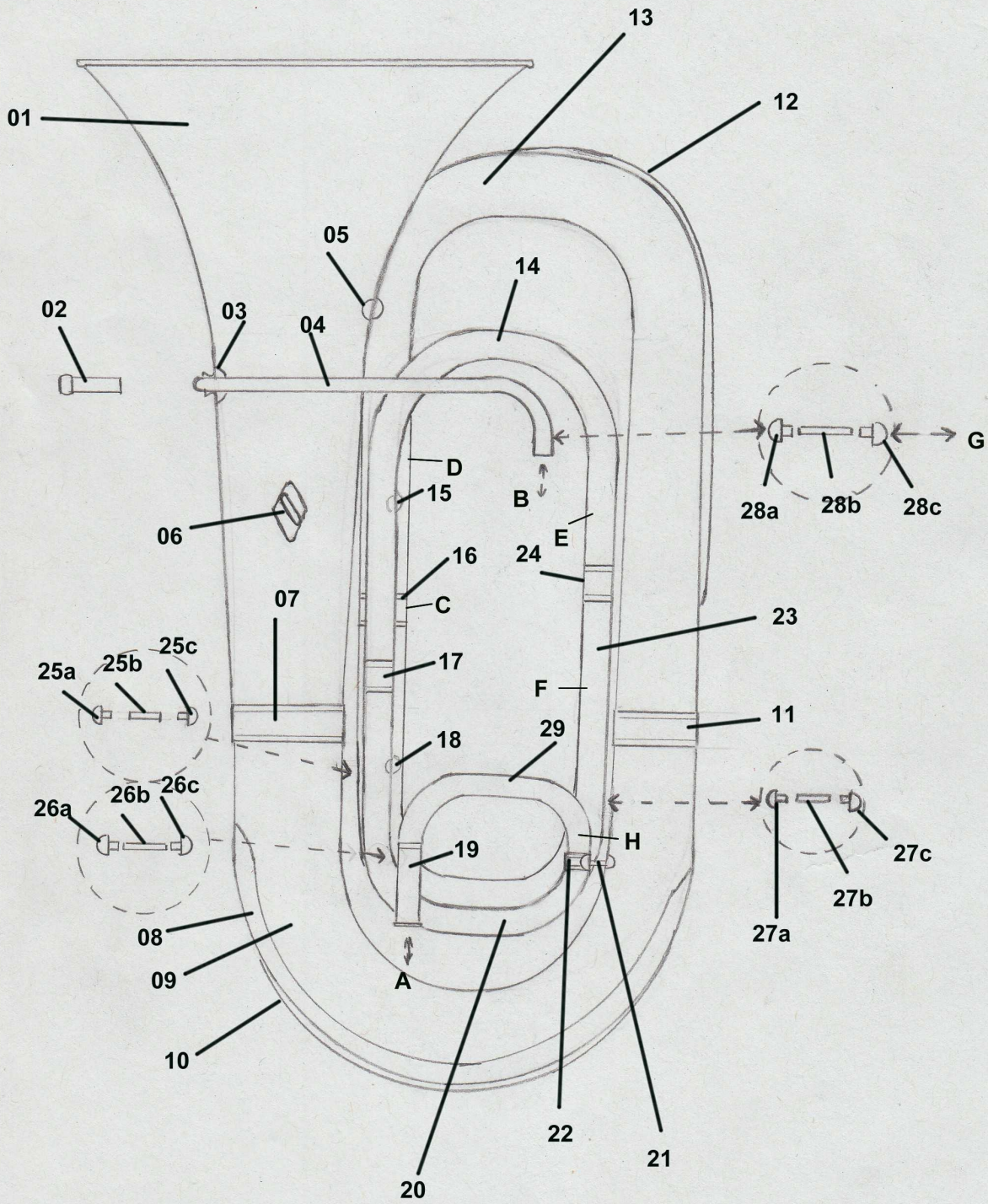


# TE-1914 BBb Tuba Diagram 1

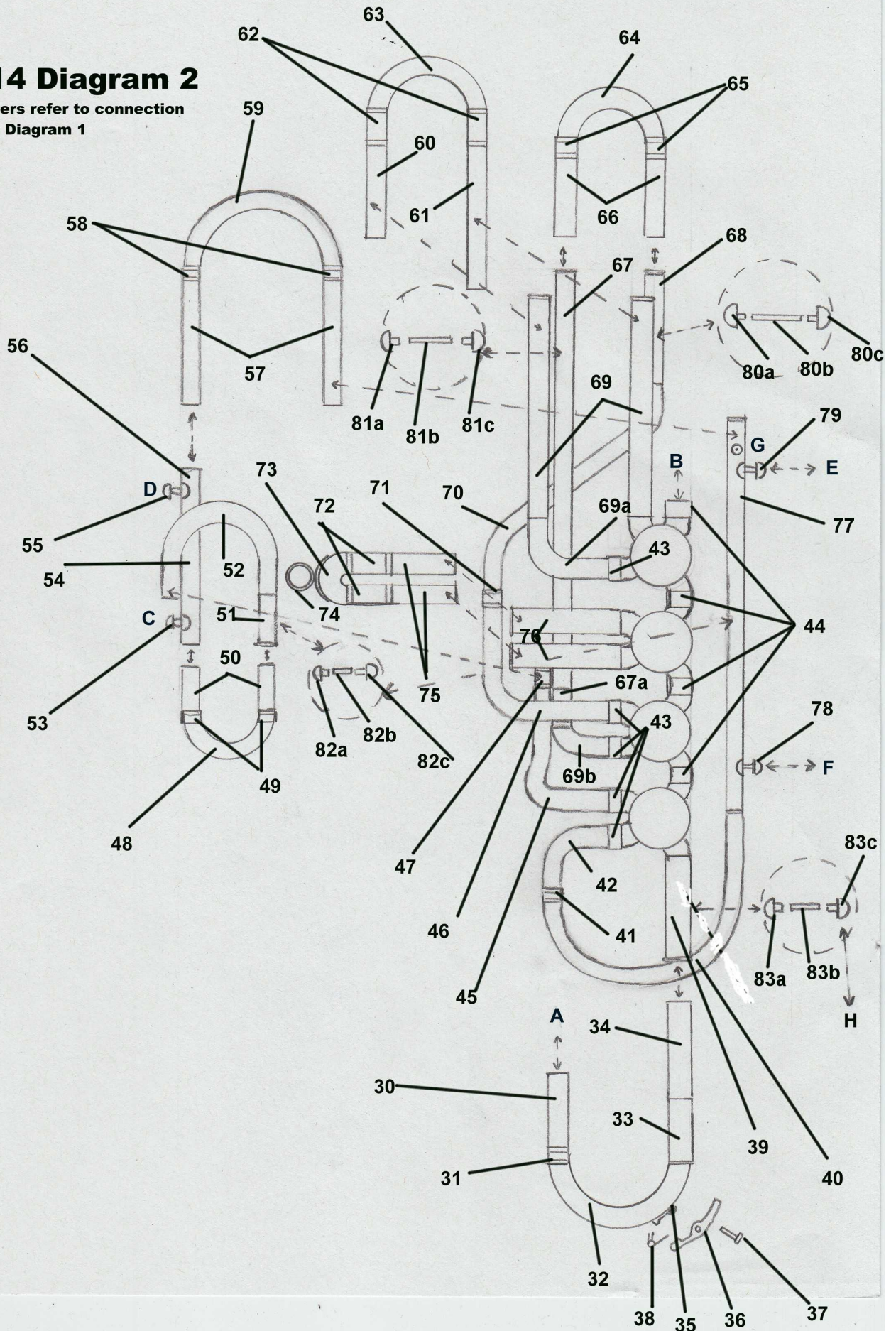
Letters refer to connection points with Diagram 2





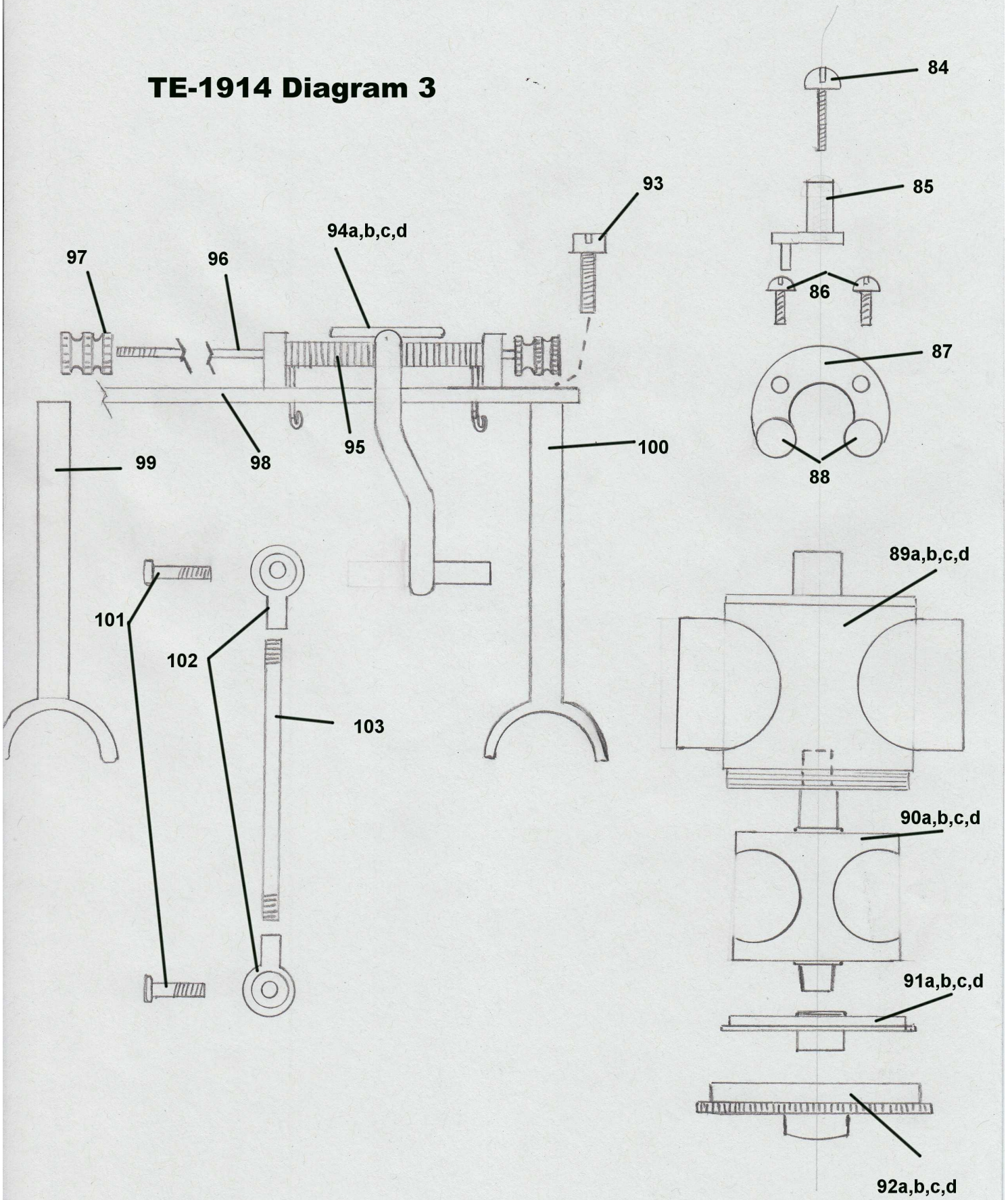
# TE-1914 Diagram 2

Capital letters refer to connection points with Diagram 1

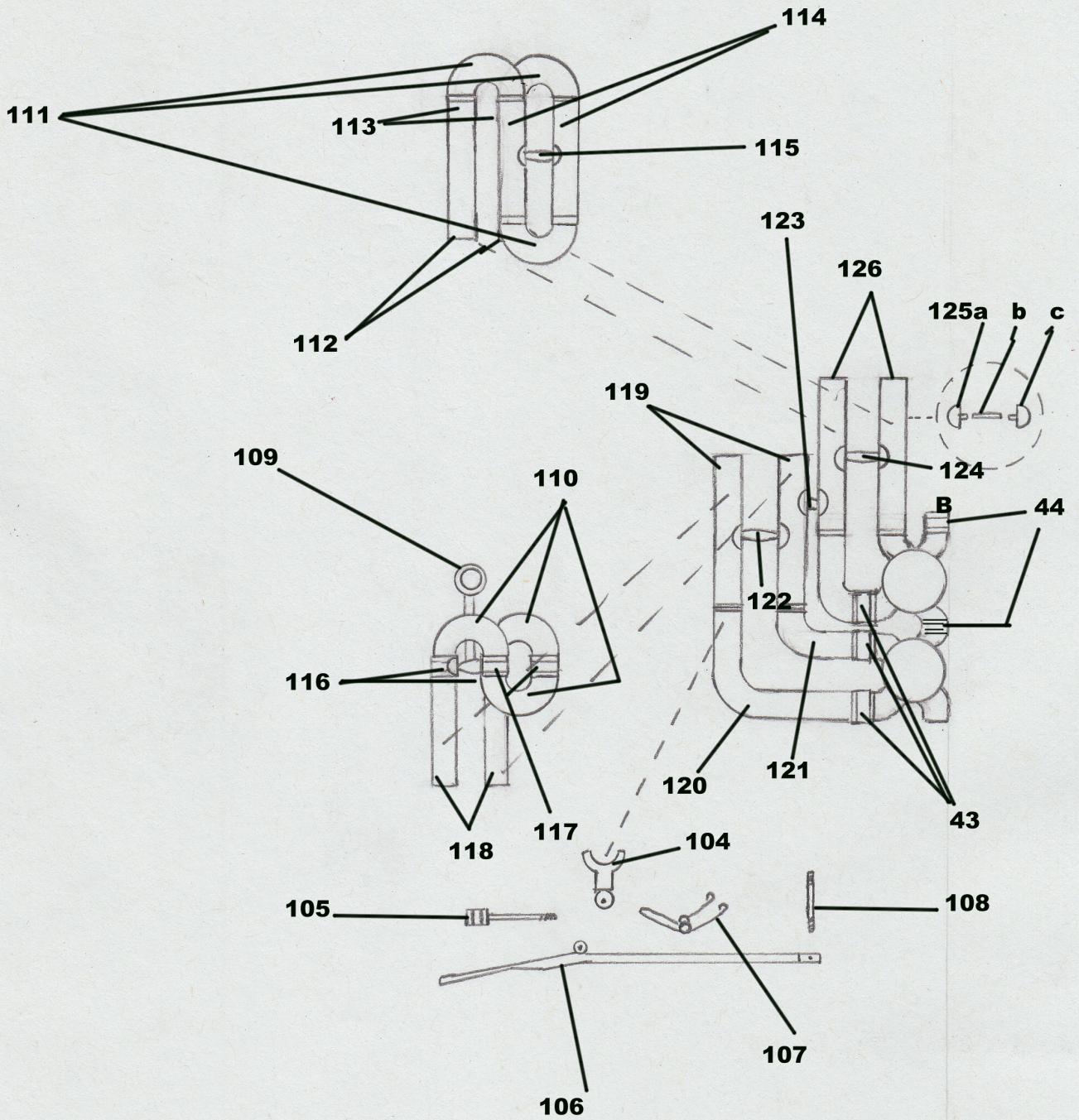




# TE-1914 Diagram 3







## TE-1915 Tuba Diagram #1

These parts replace valve assembly and slide #1 on TE-1914.  
 All other parts are same as TE-1914.



Parts List TE-1914, 1915 Tuba Parts List

Dia.	Part #	Description
1	191-01	Bell
1	191-02	Mouthpiece Receiver
1	191-03	Mouthpiece Receiver Brace
1	191-04	Mouthpipe
1	191-05	Brace, one piece, Bell to 1st Branch
1	191-06	Adjustable Thumb Ring Assembly
1	191-07	Ferrule, Bell to Bottom Bow
1	191-08	Guard, Bottom Bow
1	191-09	Bottom Bow
1	191-10	Guard Wire, Bottom Bow
1	191-11	Ferrule, Bottom Bow to 1st Branch
1	191-12	Guard Wire, 1st Branch
1	191-13	1st Branch
1	191-14	3rd Branch
1	191-15	Brace, one piece, 1st to 3rd Branch
1	191-16	Ferrule, 1st to 2nd Branch
1	191-17	Ferrule, 3rd to 4th Branch
1	191-18	Brace, one piece, 2nd to 4th Branch
1	191-19	Outer Slide Tube, Main T Sl to 5th Br
1	191-20	4th Branch
1	191-21	Brace, one piece, Bottom Bow to 4th Br. Ferr.
1	191-22	Ferrule, 4th to 5th Branch
1	191-23	2nd Branch
1	191-24	Ferrule, 2nd to 3rd Branch
1	191-25a	Brace Sockt, Bell (side) to 2nd Brnch
1	191-25b	Brace Rod, Bell to 2nd Brnch
1	191-25c	Brace Sockt, 2nd Brnch (side) to Bell
1	191-26a	Brace Sockt, M. T. Sl (side) to 4th Brnch
1	191-26b	Brace Rod, M. T. Sl to 4th Brnch
1	191-26c	Brace Sockt, 4th Brnch (side) to M. T. Sl
1	191-27a	Brace Sockt, Bttm Bow (side) to 2nd Brnch
1	191-27b	Brace Rod, B.B. to 2nd Brnch
1	191-27c	Brace Sockt, 2nd Brnch (side) to B.B.
1	191-28a	Brace Sockt, M.P. (side) to 4th Outer Tube
1	191-28b	Brace Rod, M. P. to 4th Outer Tube
1	191-28c	Brace Sockt, 4th Tube (side) to M.P.
1	191-29	5th Branch
2	191-30	Inner Tube, M. T. Sl, Bell Side
2	191-31	Ferrule, T. Sl. Crook to #30
2	191-32	Crook, M. T. Sl.
2	191-33	Ferrule, (long) M. T. Sl.
2	191-34	Inner Tube, M.T. Sl. To Rotor
2	191-35	Saddle/Nipple for Water Key
2	191-36	Water Key
2	191-37	Screw for Water Key
2	191-38	Spring for Water Key
2	191-39	Outer Tube, M.T. Sl., Rotor side
2	191-40	Crook, lg., 4th tubing, lower

Parts List TE-1914, 1915 Tuba Parts List

Dia.	Part #	Description
2	191-41	Ferrule, 4th Tubng, Lg Crk to Lower Knee
2	191-42	Knee, Lower 4th Tubing
2	191-43	Ferrule, Rotor to Slide Tubing
2	191-44	Ferrule, Between Rotors
2	191-45	Knee, upper 4th Tubing
2	191-46	Knee, 3rd Tubing, upper
2	191-47	Ferrule, 4th Tubing to Crook #52
2	191-48	Crook, Lower 4th tuning slide, small
2	191-49	Ferrules, 4th slide, lower
2	191-50	Inner Tubes, 4th slide, lower
2	191-51	Outer Tube, 4th slide, lower
2	191-52	Crook, sm, 4th tubing, upper
2	191-53	Brace, one piece, 4th Outer to #17
2	191-54	Outer Tubing, mid length, 4th
2	191-55	Brace, one piece, 4th Tubing to 1st Br.
2	191-57	Inner Tubes, 4th Slide, upper
2	191-58	Ferrules, 4th Slide, upper
2	191-59	Crook, Upper 4th tuning slide, large
2	191-60	Inner Tube, 1st Slide, short
2	191-61	Inner Tube, 1st Slide, Long
2	191-62	Ferrules, 1st Slide
2	191-63	Crook, 1st Slide
2	191-64	Crook, 3rd Slide
2	191-65	Ferrules, 3rd Slide
2	191-66	Inner Tubes, 3rd Slide
2	191-67	Outer Tube, 3rd Slide, long
2	191-67a	Ferrule, 3rd Knee to Outer Tubing
2	191-68	Outer Tube, 3rd Slide, short
2	191-69	Outer Tubes, 1st Slide
2	191-69a	Knee, 1st, lower
2	191-69b	Knee, 3rd Lower
2	191-70	"S" Tube, 3rd Tubing
2	191-71	Ferrule, "S" tube to 3rd Knee
2	191-72	Ferrule, 2nd Slide
2	191-73	Crook, 2nd
2	191-74	Pull Ring, 2nd
2	191-75	Inner Tubes, 2nd
2	191-76	Outer Tubes, 2nd
2	191-77	Outer Tube, 4th, long
2	191-78	Brace, one piece, 4th tube to 2nd br.
2	191-79	Brace, one piece, 4th tube to 3rd br.
2	191-80a	Brace Sockt, 1st to 3rd Outers
2	191-80b	Brace Rod, 1st to 3rd Outers
2	191-80c	Brace Sockt, 1st to 3rd Outers
2	191-81a	Brace Sockt, 1st to 3rd Outers
2	191-81b	Brace Rod, 1st to 3rd Outers
2	191-81c	Brace Sockt, 1st to 3rd Outers
2	191-82a	Brace Sockt, 4th to 4th Outers

Parts List TE-1914, 1915 Tuba Parts List

2	Part #	Description	
2	191-82b	Brace Rod, 4th to 4th Outers	
2	191-82c	Brace Sockt, 4th to 4th Outers	
2	191-83a	Brace Sockt, M.T. Sl.(side) to 5th Br.	
2	191-83b	Brace Rod, M. T. Sl. to 5th Br.	
2	191-83c	Brace Sockt, 5th Br. (side) to M. T. Sl.	
3	191-84	Stop Arm Retaining Screw	
3	191-85	Stop Arm (all rotors)	
3	191-86	Stop Plate Retaining Screw	
3	191-87	Stop Plate	
3	191-88	Neoprene Bumper Material	
3	191-89a	Rotor Casing #1	
3	191-89b	Rotor Casing #2	
3	191-89c	Rotor Casing #3	
3	191-89d	Rotor Casing #4	
3	191-90a	Rotor, #1	
3	191-90b	Rotor, #2	
3	191-90c	Rotor, #3	
3	191-90d	Rotor, #4	
3	191-91a	Back Bearing Plate, #1	
3	191-91b	Back Bearing Plate, #2	
3	191-91c	Back Bearing Plate, #3	
3	191-91d	Back Bearing Plate, #4	
3	191-92a	Rotor Cap, #1	
3	191-92b	Rotor Cap, #2	
3	191-92c	Rotor Cap, #3	
3	191-92d	Rotor Cap, #4	
3	191-93	Lever Brace Screw	
3	191-94a	Lever #1	
3	191-94b	Lever #2	
3	191-94c	Lever #3	
3	191-94d	Lever #4	
3	191-95	Spiral Spring	
3	191-96	Lever Rod	
3	191-97	Lever Rod Nut	
3	191-98	Lever Support Bridge	
3	191-99	Lever Support Brace, lower	
3	191-100	Lever Support Brace, upper	
3	191-101	Linkage Retaining Screw	
3	191-102	Uniball Metal linkage	
3	191-103	Push Rod, #1	
4	191-104	5th Lever Saddle	
4	191-105	Lever Rod #5	
4	191-106	Lever, #5	
4	191-107	Lever Spring, #5	
4	191-108	Push Rod, #5	
4	191-109	Pull Ring/Brace, 1st Slide	
4	191-110	Crooks, 1st Slide, 5 valve tuba	
4	191-111	Crooks, 5th Slide	

Parts List TE-1914, 1915 Tuba Parts List

4	191-112	Inner Tubes, 5th Slide	
4	191-113	Ferrules, 5th Slide	
4	191-114	Long Tubes, 5th Slide	
4	191-115	Brace, 1 piece, 5th	
4	191-116	Ferrules, Inner tubes, 1st	
4	191-117	Ferrules, crook to crook, 1st	
4	191-118	Inner Tubes, 1st, 5 valve tuba	
4	191-119	Outer Tubes, 1st Slide	
4	191-120	Knee, 1st, lower	
4	191-121	Knee, 1st, upper	
4	191-122	Cross Brace, 1 piece, 1st Slide	
4	191-123	Brace, 1 piece, 1st to 5th tubes	
4	191-124	Cross Brace, 1 piece, 5th Slide	
4	191-125a	Brace Sockt, 1st outer (side) to 4th tube	
4	191-125b	Brace Rod, 1st outer to 4th tube	
4	191-125c	Brace Sockt, 4th Tube (side) to 1st tube.	
4	191-126	Outer Tubes, 5th Slide	