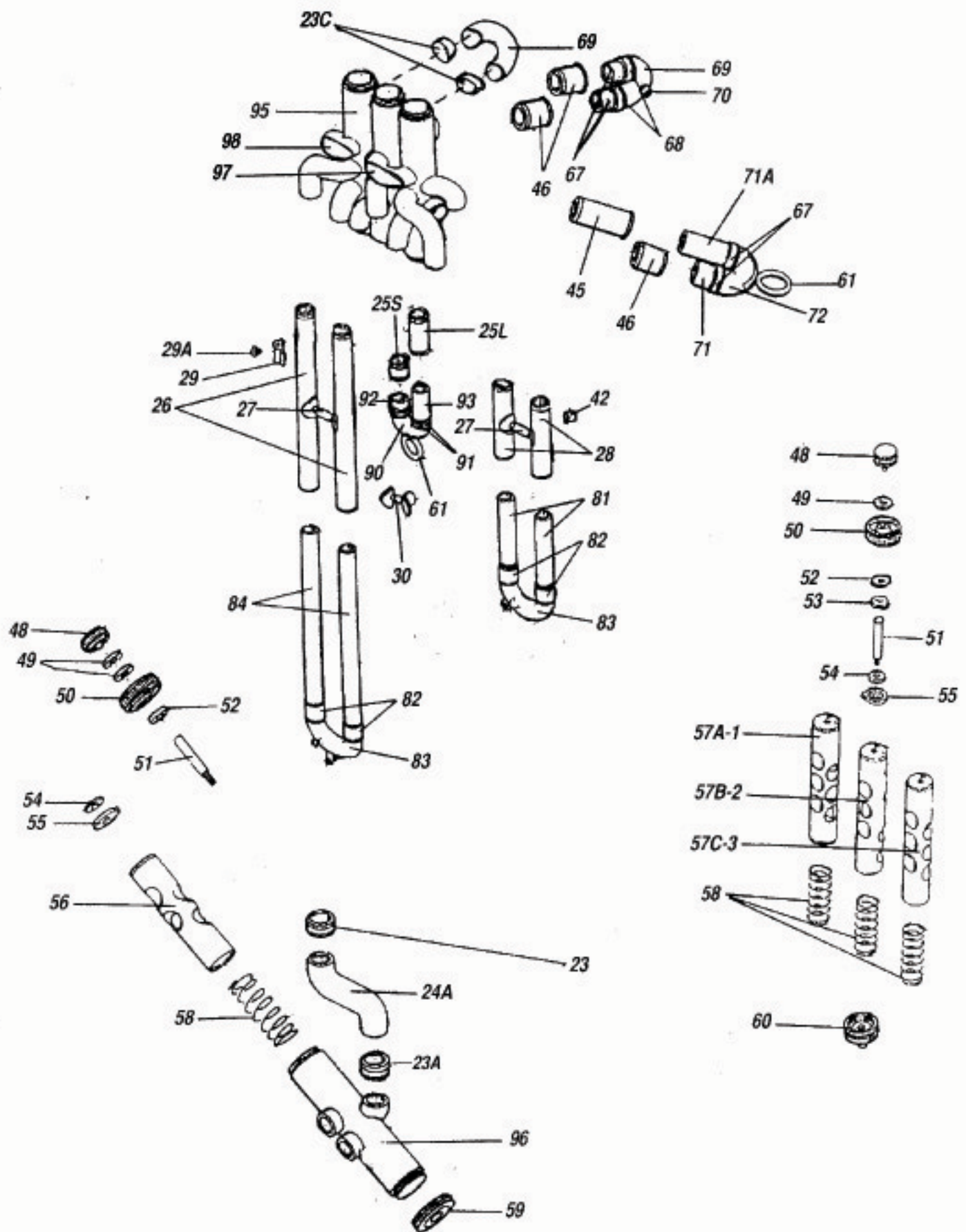


Tuba Exchange Model TE-1150 4 Valve Compensating Euphonium Diagram 1
All part numbers preceded by "1150"



Tuba Exchange Model 1150 4 Valve Compensating Euphonium Diagram 2
All part numbers preceded by "1150"

Parts List Tuba Exchange TE1150L Euphonium

Diagra	Part #	Description	
1	1150-1	Bell	
1	1150-2	Bottom Bow	
1	1150-2A	Ferrule, Bell to Bottom Bow	
1	1150-2B	Bottom Bow Guard	
1	1150-3	1st Branch	
1	1150-3A	Ferrule, 1st Br. To Bottom Bow	
1	1150-3B	Guard Wire, 1st Branch	
1	1150-7	Mouthpipe	
1	1150-8	Mouthpiece Receiver	
1	1150-19U	3rd valve knee, upper (tubing)	
1	1150-19L	3rd valve knee, lower	
1	1150-20	4th valve Tubing, "S" bend	
1	1150-21	Ferrule, Mouthpipe to 1st valve	
1	1150-22	4th T. Sl. Inner/Outer Tube, w/ ring, long	
1&2	1150-23	Ferrule, 4th valve tubing .670" o.d.	
	1150-23A	Ferrule, 4th valve tubing .710" o.d.	
	1150-23B	Ferrule, 4th valve tubing .740" o.d.	
	1150-23C	Ferrule, 4th valve tubing, .710", o.d.	
1	1150-24	"S" Tubing, 4th valve, front	
2	1150-24A	"S" Tubing, 4th valve, Back	
2	1150-25L	2nd Sl. Inner/Outer Tube w/ring, Long	
2	1150-25S	2nd Sl. Inner/Outer Tube, w/ring, Short	
2	1150-26	3rd Slide Inner/Outer Tubes, w/ring	
2	1150-27	Brace, 1 Piece, bet. 1st and 3rd tubes	
2	1150-28	1st Slide, Inner/Outer Tubes, w/ ring	
2	1150-29	Lyre Holder	
2	1150-29A	Lyre Holder Screw	
2	1150-30	Brace, 1 piece, bet. 3rd & 4th valve tubing	
1	1150-31	Main T. Sl. Inner/Outer Tubew/ring, Sm.	
1	1150-32	4th T. Sl. Inner/Outer Tube w/ring, short	
1	1150-32A	Compound Bend Knee, 4th tubing	
1	1150-33	Main T. Sl. Inner/Outer Tube w/ring, Lg.	
1	1150-34	Brace Socket, for Bell to 4th slide	
1	1150-34A	Brace Socket, 1st Branch to third slide	
1	1150-35	Brace Socket/rod, 4th slide to bell, use w/ 34	
1	1150-35A	Brace Socket/rod, 3rd slide to 1st Branch	
1	1150-36	Brace Socket, for T. Sl. to bell and 1st branch	
1	1150-37	Brace Rod, 1st Branch and bell to T. Sl.	
1	1150-38	Brace socket, Bell & 1st Branch to T. sl.	
1	1150-39	Brace, Receiver to Bell	
1	1150-40	Hand Rest Tubing	
1	1150-41	Brace, Hand Rest to 1st Branch	
2	1150-42	Brace, 1 piece, 4th V. tubing (S) to 1st sl.	
1	1150-43	4th Valve Clip Saddle	
2	1150-45	Inner/Outer Tubes w/ring, Long, 3rd Sl. comp.	
2	1150-46	Inner/Outer Tubes w/ring, Short, 1st & 3rd	
1	1150-47	Brace, 1 Piece, Bell to 1st Branch	
2	1150-48	Finger Button	

Parts List Tuba Exchange TE1150L Euphonium

Diagra	Part #	Description	
2	1150-49	Finger Button Felt	
2	1150-50	Top Valve Cap	
2	1150-51	Piston Stem	
2	1150-52	Stem Felt	
2	1150-53	Stem Cork	
2	1150-54	Valve Guide Metal Washer	
2	1150-55	Valve Guide	
2	1150-56	4th Piston	
2	1150-57A-1	1st Piston	
2	1150-57B-2	2nd Piston	
2	1150-57C-3	3rd Piston	
2	1150-58	Valve Spring, All Valves	
2	1150-59	Bottom Valve Cap, 4th valve	
2	1150-60	Bottom Valve Cap, 1,2,3	
2	1150-61	Pull Ring, 2nd Slide and comp. slide	
1	1150-64	Ferrule, 4th Tuning slide short side	
1	1150-65	Ferrule 4th T. Sl. long side	
1	1150-66	4th Slide Crook	
2	1150-68	Ferrules, 1st Comp. slide	
2	1150-69	Crook, 1st Comp. Slide	
2	1150-70	Pull Knob, 1st Comp. slide	
2	1150-72	Crook, 3rd Comp. Slide	
1	1150-76	Brace Socket, for T. Sl.	
1	1150-77	Brace Rod, Main Tuning Slide	
1	1150-78	Ferrule T. Sl. Sm.	
1	1150-79	Ferrule T. Sl. Lg.	
1	1150-80	Main T. Sl. Crook	
2	1150-82	Ferrules, 1st and 3rd Slides	
2	1150-83	Crook, 1st and 3rd Slides	
1	1150-85	Water Key	
1	1150-86	Water Key Spring	
1	1150-87	Water Key Screw	
1	1150-88	Water Key Saddle	
1	1150-89	4th Valve Clip	
1	1150-89A	4th Valve Clip Screw	
2	1150-90	Crook, 2nd Slide	
2	1150-91	Ferrules, 2nd Slide	
1	1150-94	Water Key Cork, use A367	
2	1150-95	Valve Cluster	
2	1150-96	Fourth Valve Casing	
2	1150-97	1st to 2nd Knuckle Cap	
2	1150-98	3rd Knuckle Cap	