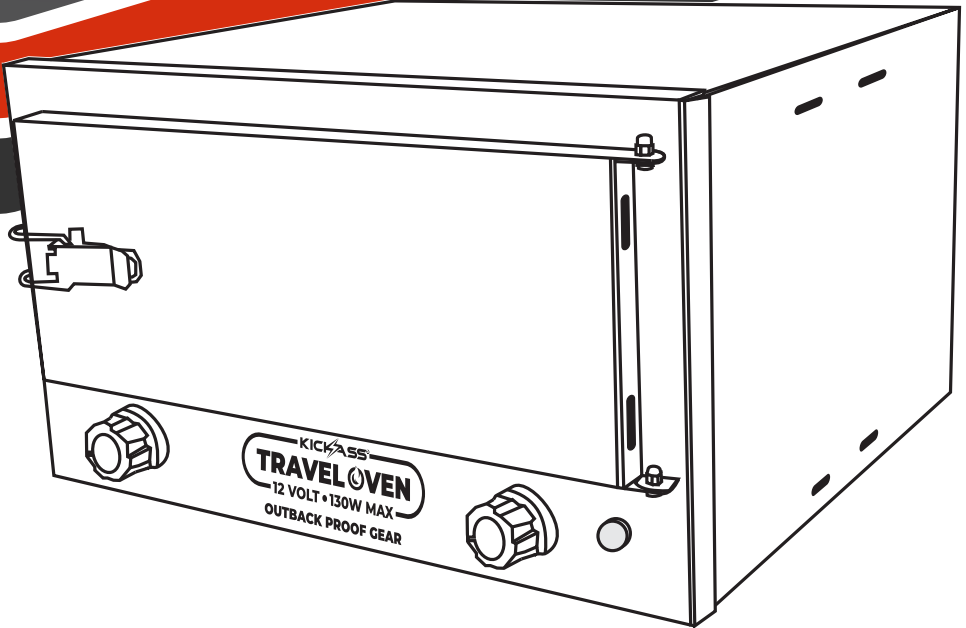


KICKASS[®]

12V PORTABLE TRAVEL OVEN USER MANUAL



KATRAVELO12 | KATRAVELO12GTS | KATRAVELO12GTL

TABLE OF CONTENTS

WHY KICKASS	1
WARNINGS	1
WHAT'S INCLUDED	2-4
OVEN OVERVIEW	5-6
SPECIFICATIONS AND FEATURES	7
SETUP	8
OPERATING INSTRUCTIONS	8-9
OVEN GUARD	10-13

CONGRATULATIONS ON PURCHASING YOUR NEW KICKASS 12V TRAVEL OVEN

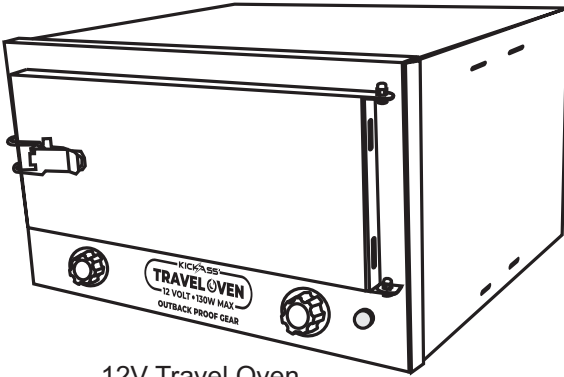
WHY KICKASS

KickAss is dedicated to extending the comfort of home to your outdoor adventure. We serve as your one stop shop for Adventure Power products. All our products are meticulously crafted for a seamless plug-and-play experience, ensuring the ultimate adventure encounter. Power your adventure the KickAss way!

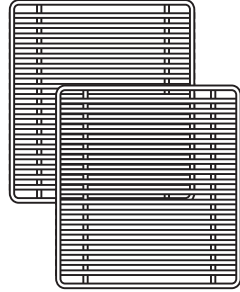
WARNINGS

- The oven and its components may become hot during use.
- Caution should be exercised while operating the oven.
- Ensure a minimum clearance of 10cm between the oven and flammable objects when in use.
- Any modifications made to the oven will void the warranty.
- It is the customer's responsibility to adequately mount the unit within the vehicle.
- The contents of this user guide are subject to change without notice. Copying this manual, either in part or in its entirety, is strictly prohibited.
- This manual is intended for the customer's personal use only. Any other use is forbidden without the permission of KickAss Products Pty. Ltd.
- The images and sample screens depicted in this manual are for illustrative purposes only.

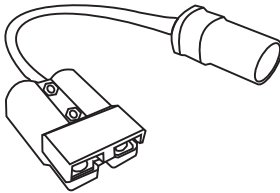
WHAT'S INCLUDED KATRAVELO12



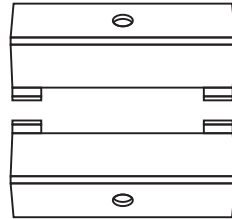
12V Travel Oven



2 x Removable Shelves



Anderson to Cigarette Adapter



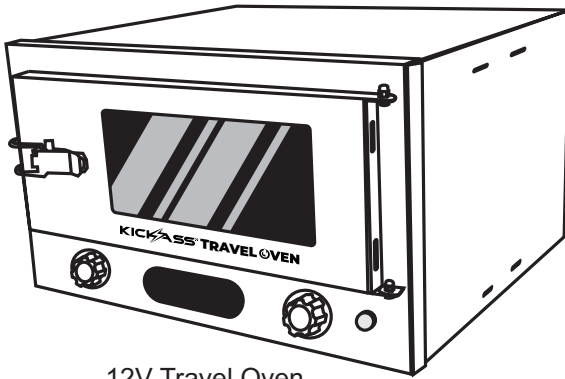
Mounting Brackets

OPTIONAL EXTRA

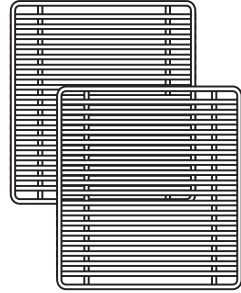


KickAss Travel Oven Stainless Steel Tray with Trivet
SKU: KAOVENTRAY

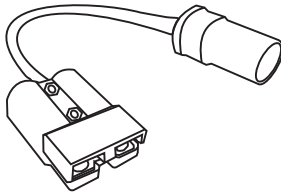
WHAT'S INCLUDED KATRAVELO12GTS



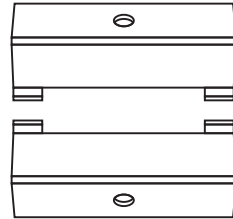
12V Travel Oven



2 x Removable Shelves



Anderson to Cigarette Adapter



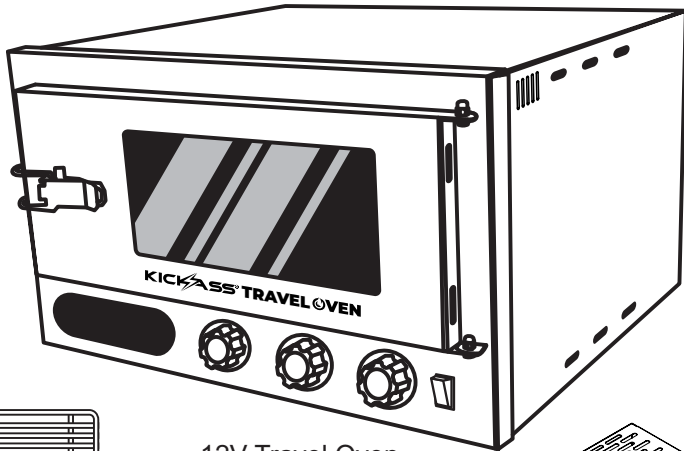
Mounting Brackets

OPTIONAL EXTRA

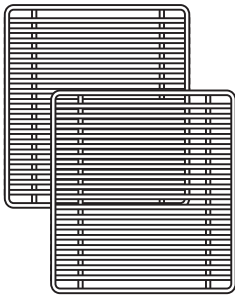


KickAss Travel Oven Stainless Steel Tray with Trivet
SKU: KAOVENTRAY

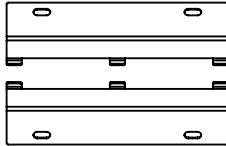
WHAT'S INCLUDED KATRAVELO12GTL



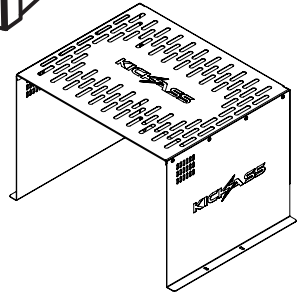
12V Travel Oven



2 x Removable Shelves



Mounting Brackets



KickAss Oven Guard
KALRGOVENGUARD

OPTIONAL EXTRA



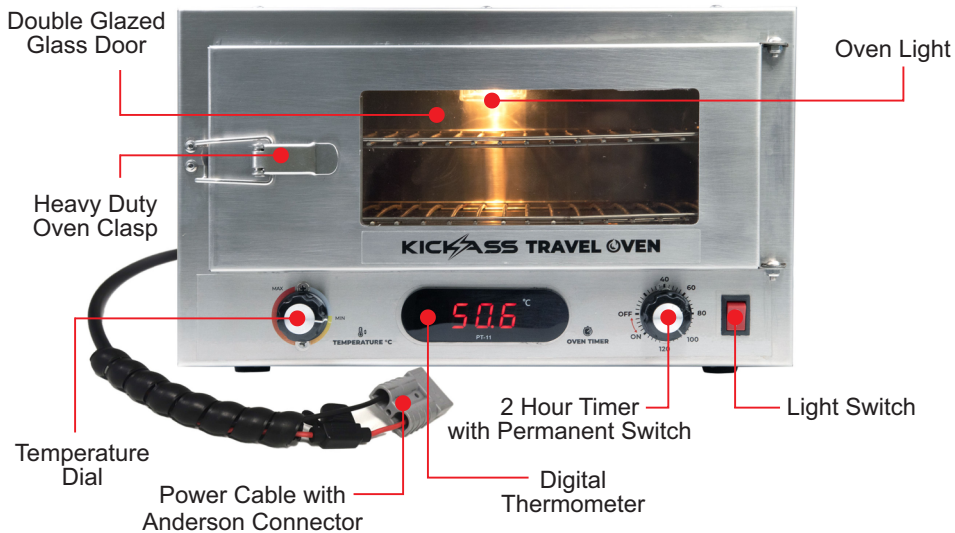
KickAss Travel Oven Stainless
Steel Tray with Trivet
SKU: KALRGOENTRAY

OVEN OVERVIEW

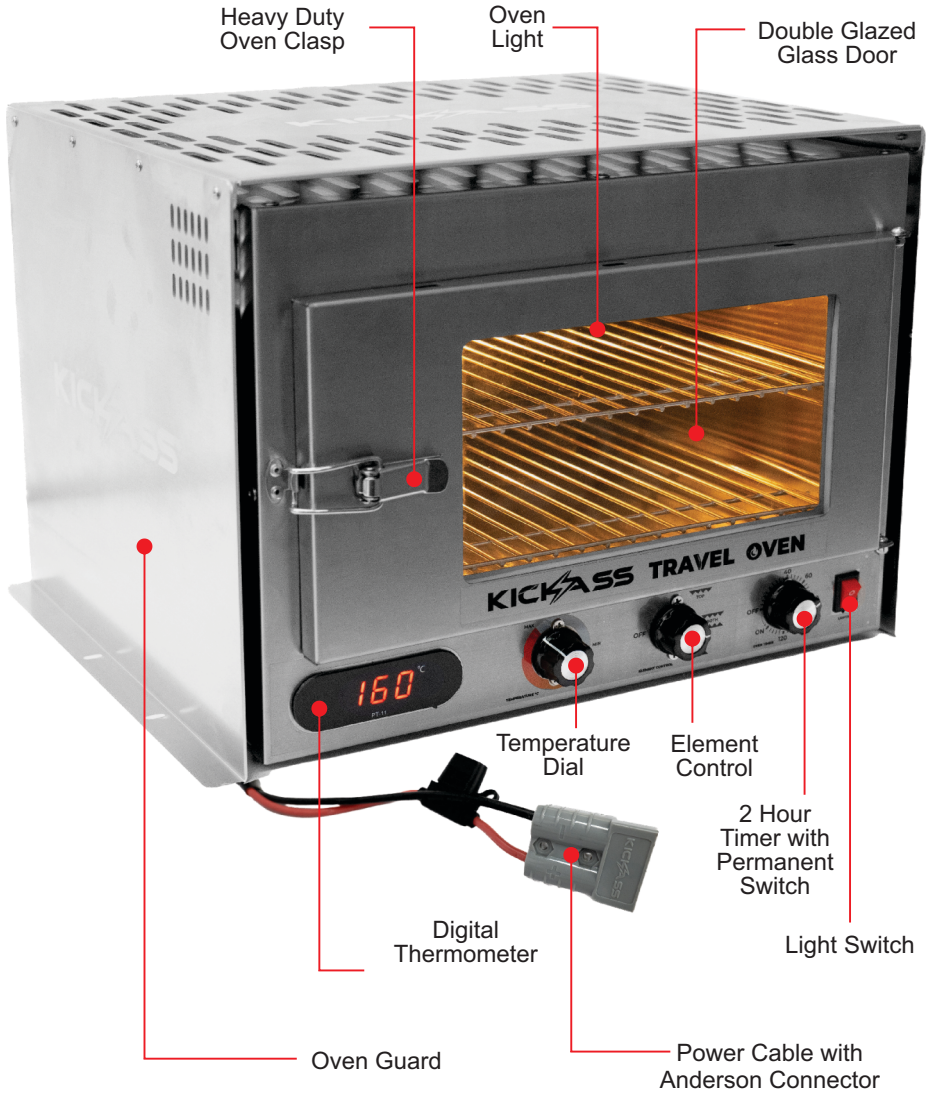
KATRAVELO12



KATRAVELO12GTS



KATRAVELO12GTL



SPECIFICATIONS AND FEATURES

Specification	KickAss 12V Portable Travel Oven	KickAss 12V Portable Travel Oven with Glass Door	KickAss 12V Large Portable Travel Oven With Glass Door and Oven Guard
SKU	KATRAVELO12	KATRAVELO12GTS	KATRAVELO12GTL
External Size	332W x 275D x 188H		381W x 340D x 277H
Internal Size	268W x 252D x 252H		305W x 270D x 150H
Power	130W @ 12.8V (10A)		Top Element: 130W @ 12.8V (10A) Bottom Element: 130W @ 12.8V (10A) Both: 260W @ 12.8V (20A)
Operating Voltage	10-15V DC		
Electrical Connection	Anderson Style Plug with Cigarette socket adapter		Anderson Style Plug
Fuse Rating	15A		30A
Oven Material	304 Stainless Steel		
Insulation	Fiberglass Insulation		
Mounting Brackets	Included		
Max Temperature	180°C		200°C
Oven Timer	1-120 Minutes	1-120 minutes with toggle override for unlimited cooking	
Light	No	Yes with on/off switch	
Door	Insulated Door	Double Glazed Glass Door	
Thermometer	No	Digital Thermometer	

SETUP

- The KickAss Travel Oven can be connected to a 12-volt power source using an Anderson connector. Both the Small Standard and Glass Door Travel Ovens can be connected to a cigarette socket using the cigarette to Anderson adapter. The Large Glass Door Travel Oven, however, must be connected to the power source via an Anderson connector.
- Please use the brackets supplied with your KickAss Travel Oven to secure the oven when it is used in a vehicle or caravan. Ensure a 10cm clearance gap around the oven when it is in operation.
- It is recommended that the Large Glass Door Oven with Oven Guard only be bottom surface mounted. This is to avoid the top of the oven being mounted directly to any material that will be damaged via direct exposure to heat.

OPERATING INSTRUCTIONS

Important Note: The KickAss Travel Oven is not fan-forced; please adjust your cooking times accordingly.

Cooking with the KickAss Travel Oven

1. Preheat the oven to your desired temperature, with a maximum setting of 180°C-200°C.
2. Place your food on the oven racks. Be sure not to overload the oven, as the temperature may drop when cold food is introduced.
3. Once your food is cooked, remove it from the oven and switch the oven off.

Oven Timer

1. For users of the glass door oven: to keep the oven permanently on, rotate the timer counterclockwise to the ON position. Alternatively, turn the timer clockwise to set your desired cooking time.
2. The timer bell will sound once the set time has elapsed.
3. To turn off the oven, simply rotate the timer to the OFF position.

Oven Light

The Glass Door Ovens come equipped with an internal light. You can control the light using the red switch located on the front of the oven. To conserve power, remember to turn the light off when it's not needed.

Opening and Closing the Oven

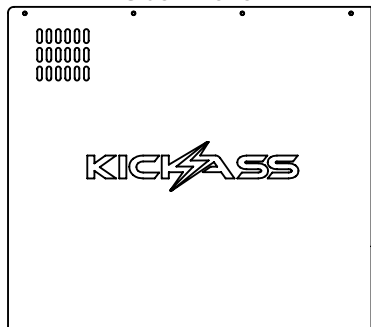
- The KickAss Travel Oven features a door latch that allows you to securely close the oven to prevent heat loss.
- Please note that the latch may become hot during use. Take appropriate safety precautions.

Oven Use

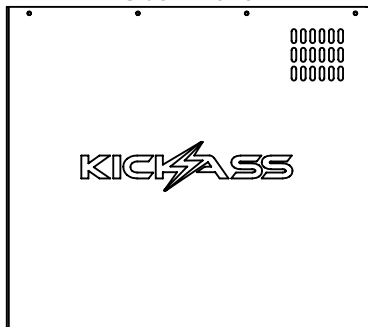
- It's essential to avoid overloading the oven as this can extend cooking times.
- You can place food directly on the provided racks, use aluminum foil, or use baking trays/dishes.
- It's not recommended to place food directly on the bottom of the oven.

OVEN GUARD

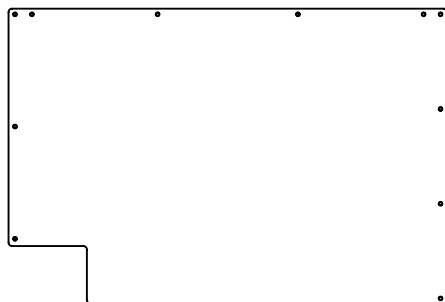
Side A Panel



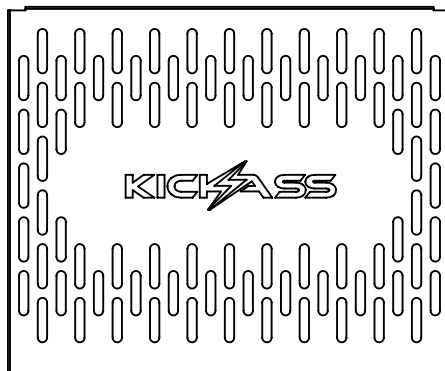
Side B Panel



Back Panel



Top Panel



19 X M3 6mm Screw

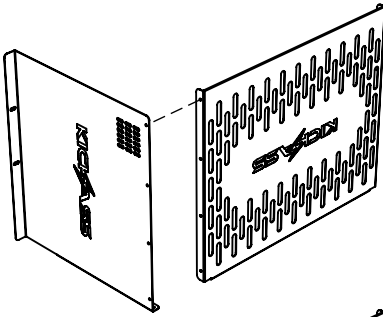


TOOLS REQUIRED

Philips Screw Driver

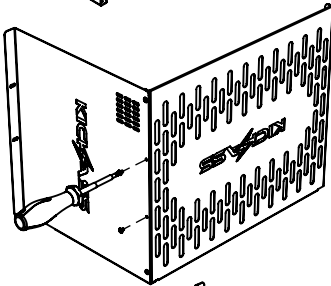


OVEN GUARD ASSEMBLY



STEP 1

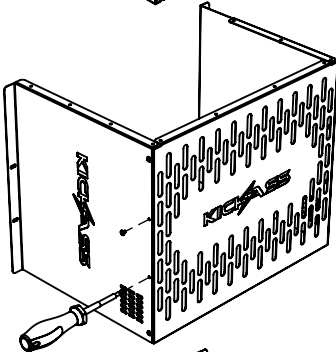
Place "Top Panel" and "Side A" together so the screw holes align.



STEP 1.1

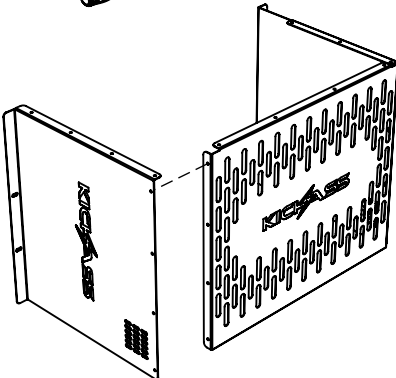
Note: Do not fully tighten all screws until the end of the installation process.

Begin by screwing in place the four screws as indicated, starting with the top and bottom holes. Keeping all screws "finger-tight" initially will make it easier for you to locate each hole.



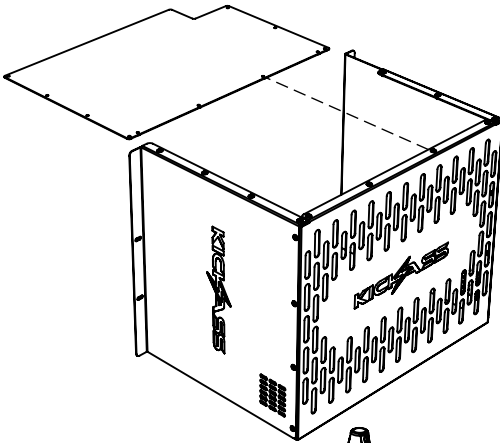
STEP 2

Flip the assembly over and align "Side B" with the Top Panel so that the screw holes match up.



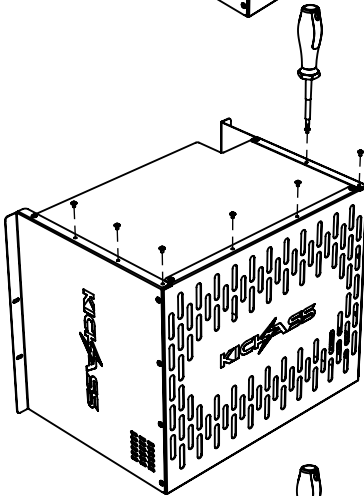
STEP 2.1

Repeat step 1.1



STEP 3

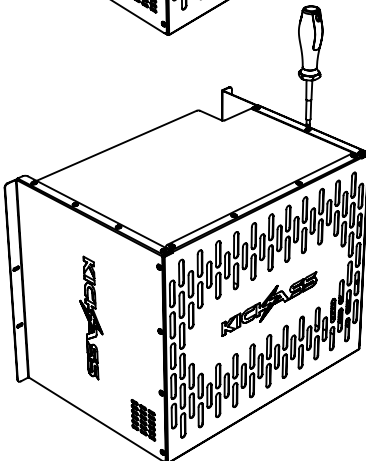
Now, slide the "Back Panel" into the assembly, ensuring that the edge of the panel remains below the lip of each side and the top panels.



STEP 3.1

Note: Do not fully tighten the screws yet.

Begin by screwing in the 11 screws as indicated, starting with the corner holes. Keeping them all "finger-tight" initially will make it easier to locate each hole.

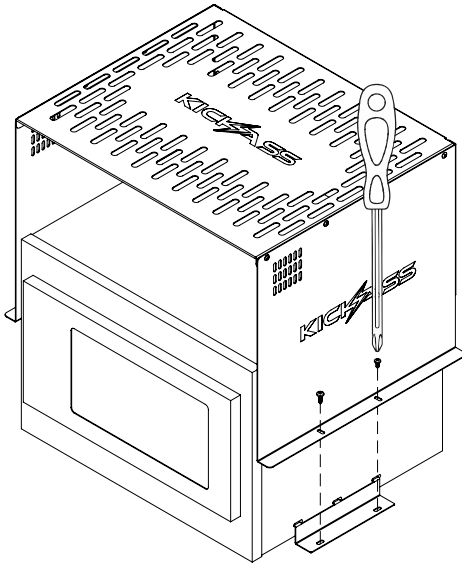


STEP 4

Now it's time to fully tighten all the screws

Note: Do not over tighten!

OVEN GUARD INSTALLATION



STEP 1

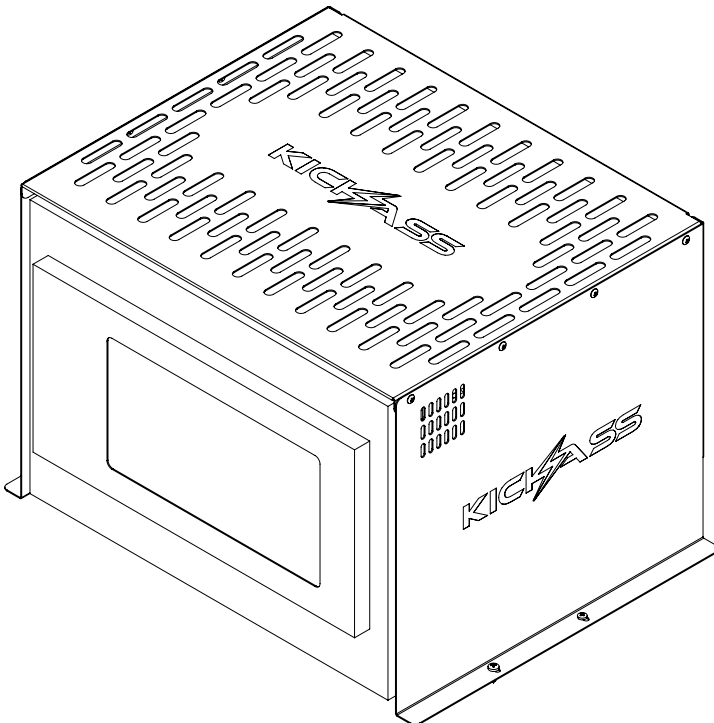
Insert oven brackets.

STEP 2

Fit Oven Guard over Oven and align screw holes.

STEP 3

Tighten screws.



THANK YOU FOR CHOOSING

KICKASS®

KickAss® is committed to providing you with the most up to date product information. As printed material is harder to update we have created an online user guide portal including videos, user guides and product tips so you can view or download the latest product information at any time. This also helps to save our environment which we are committed to just as much as we are committed to our customer service.



ONLINE USER GUIDES

To get started with this product, please visit
supportportal.kickassproducts.com.au
and search for your SKU code

OUR GUARANTEE

This KickAss® product comes with a 1 year warranty for your peace of mind. In the unlikely event this product fails when used according to our user guide, we will either repair or replace it. For full warranty terms and conditions on this product, please see the user guide at:

supportportal.kickassproducts.com.au

Customer Support

For any technical or warranty enquires please visit our customer service portal at:

supportportal.kickassproducts.com.au



KICKASS PRODUCT QUALITY

In Australia, our goods come with guarantees that cannot be excluded under the Australian Consumer Law. You are entitled to a replacement or refund for a major failure and compensation for any other reasonably foreseeable loss or damage. You are also entitled to have the goods repaired or replaced if the goods fail to be of acceptable quality and the failure does not amount to a major failure.

Warranty does not cover products that have not been used in accordance with the KickAss® user guide or are outside the warranty terms and conditions.

QUESTIONS AND COMMENTS

Please visit us at **kickassproducts.com.au** or email us at **support@kickassproducts.com.au**