



# Product Manual

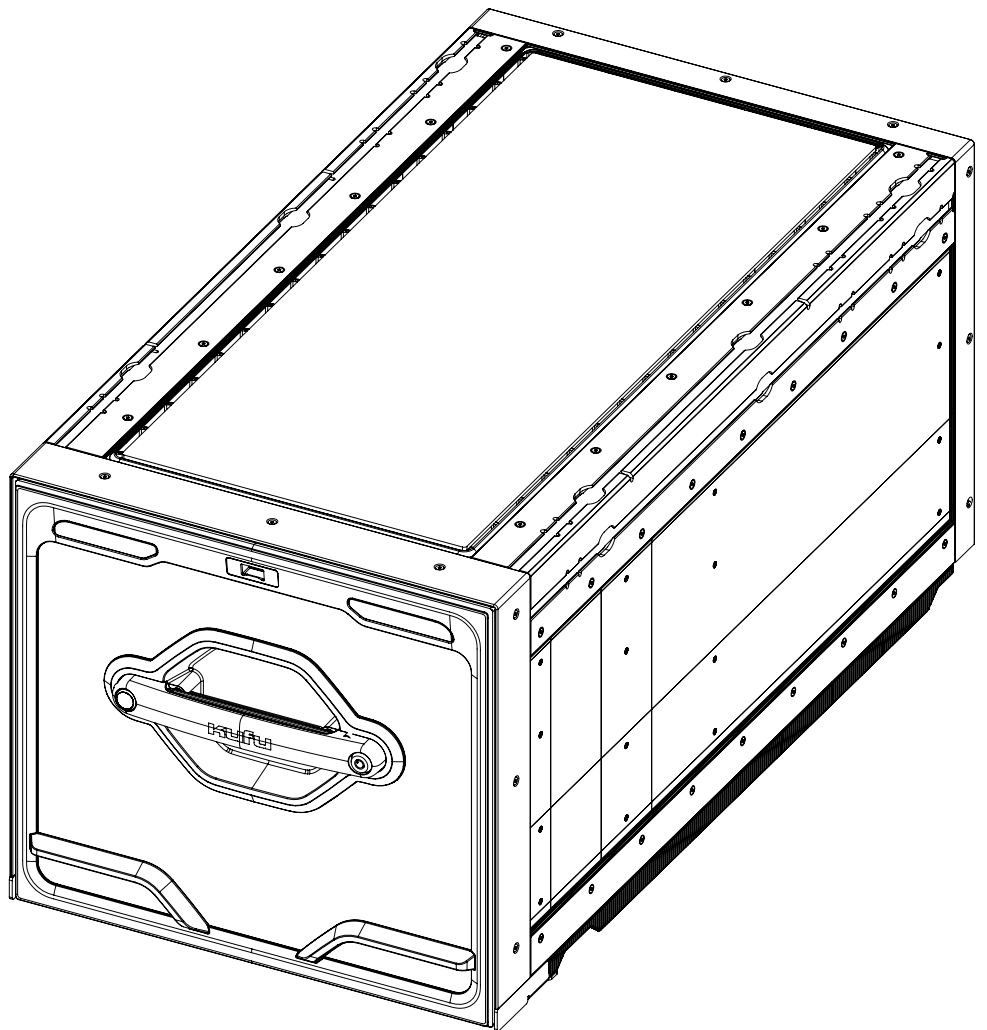
---

## Premium KUFU Drawer

Version: 01

### APPLICABLE PRODUCT SIZES:

- KDS 1400 x 460
- KDS 1400 x 280
- KDS 1400 x 180
- KDS 950 x 460
- KDS 950 x 280
- KDS 950 x 180

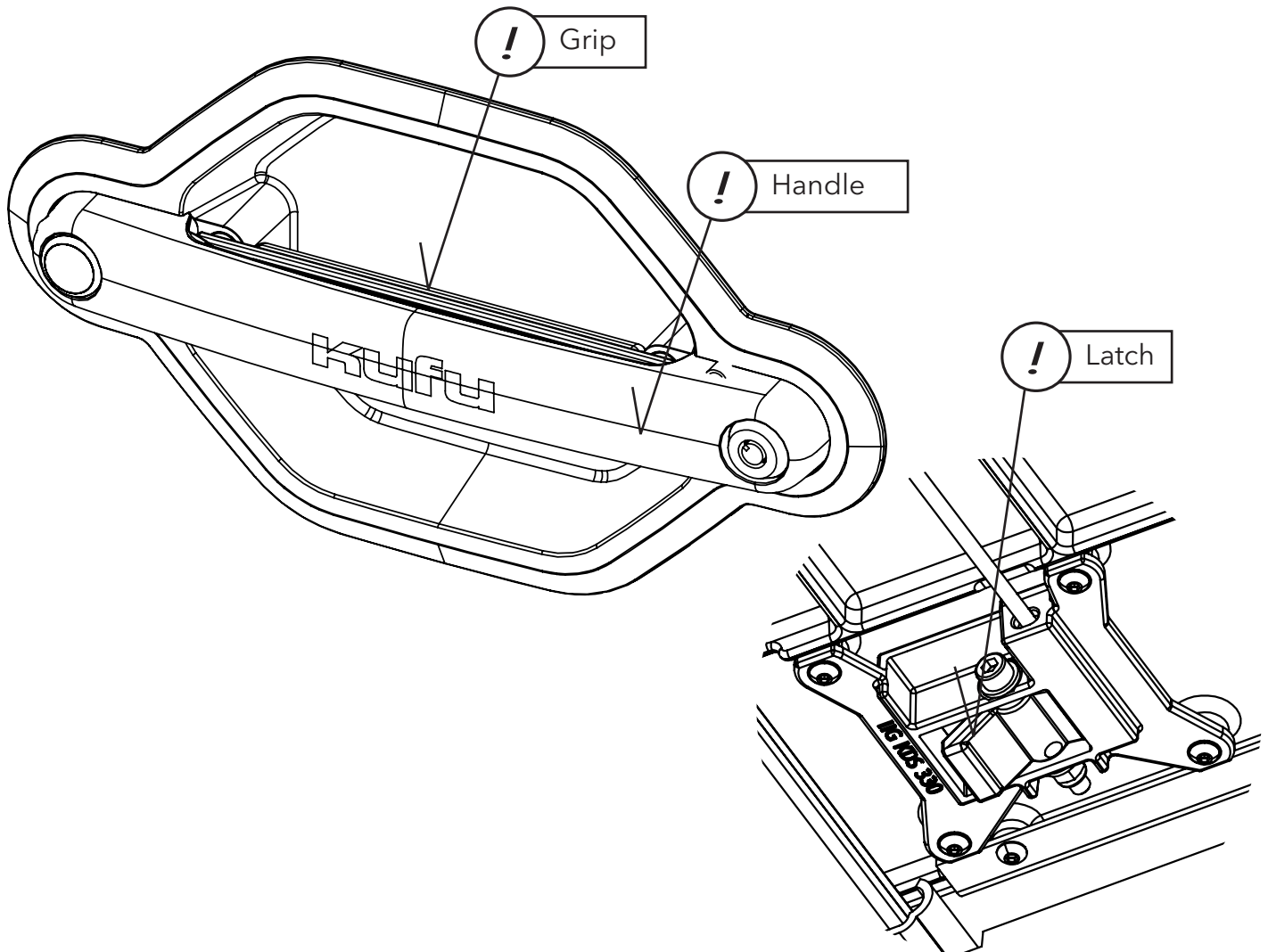


*Product Manual Contents:*

- Quick Start Guide - PLEASE READ FIRST
- Important Information
- Product Description and Summary
- Drawer Installation:
  - Lock Pins and Catch Tabs
  - Catch and Click System
- User Guides:
  - Using the Lighting System
  - Using the Lock
- Safety Guide:
  - Load and Stacking
  - Product Guide
- Maintenance

## QUICK START GUIDE - Using the Drawer with the Grip / Handle and Latch:

- The KUFU Drawer has a spring loaded Latch underneath the sliding Drawer. The Latch will spring into any available rest position to prevent the Drawer from moving or sliding, this also includes the closed position.
- Use the handle Grip on the Drawer Front to open the Latch from the rest position by squeezing the Grip into the Drawer Handle.
- Whenever moving the drawer, open the Latch before moving or sliding the Drawer. To do this firmly squeeze on the the Grip rubber and the Drawer Handle. Ensure the Grip is completely plunged so that the Latch is fully retracted and opened. Move the Drawer to the desired position and release the Grip, then gently move the Drawer until a rest position is found, you will hear the Latch clunk into the rest position.
- **WARNING:** Do not forcefully slide or skip, or slam the Latch into / past / over a rest position. The Latch can damage the rest positions of the Drawer Carcass.
- When closing the Drawer remember to release the Grip to allow the Latch to find the closed rest position, use two-hands if required to move the Drawer Internals



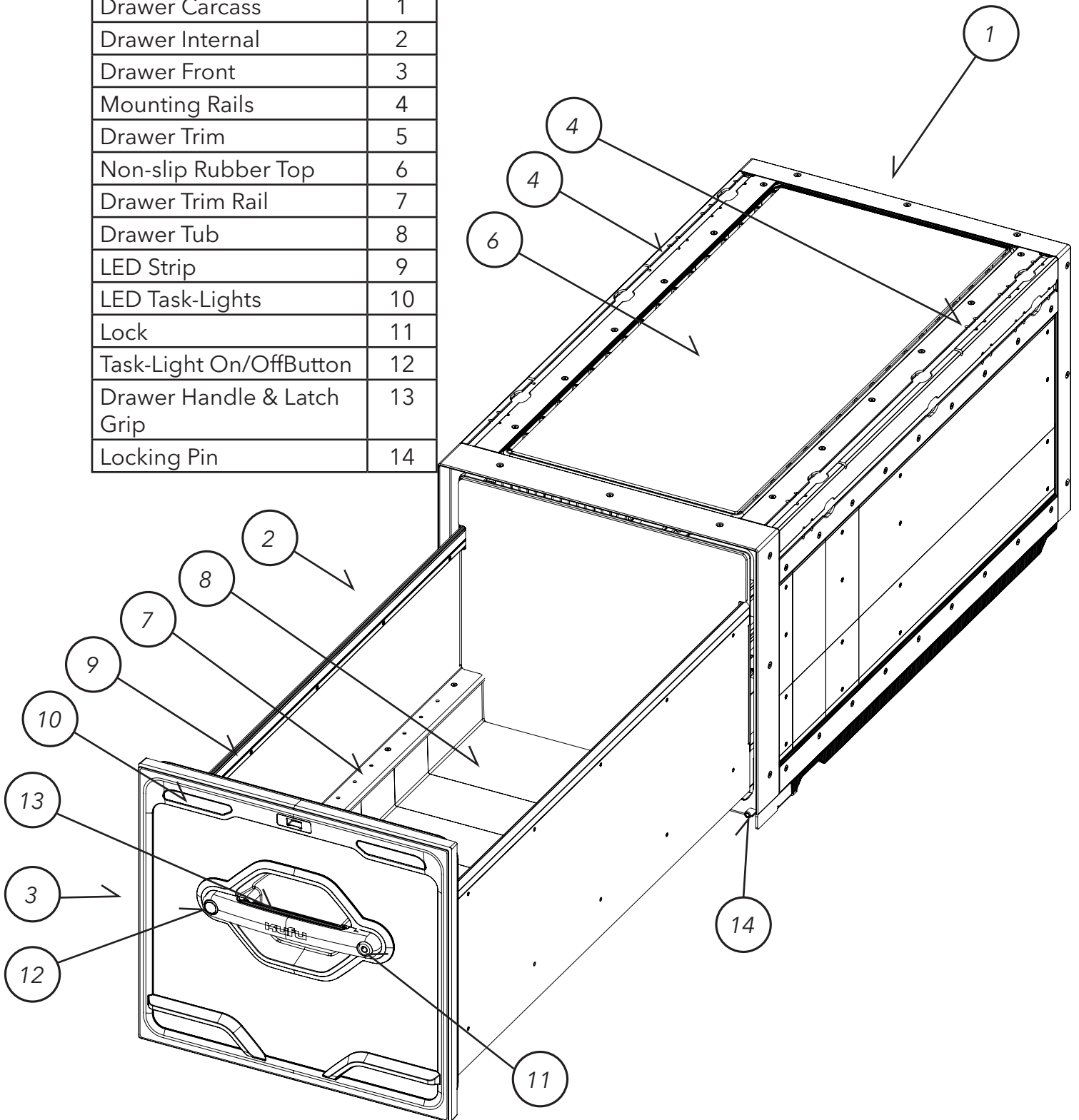
*Important Information:*

- This Product Manual is for the accurate, safe and secure attachment of the Kufu Drawers to the vehicle, and for the reliable and repeated use of the KUFU Drawer System.
- Open all kits and cartons to check that all parts are present.
- Follow all assembly steps in this Manual.
- Read all Safety Guides
- Do not skip steps.
- Refer to Installation Instruction Manuals for the relevant Mounting Platforms before fitting and using the KUFU Drawers.
- It is recommended to review the vehicle and crosscheck before making any modifications. Check to avoid damaging critical vehicle components beneath the ute tub bed before drilling pilot holes or larger through holes.
- Aftermarket tub-liners can vary significantly between vehicles of the same model. The KUFU Mounting Platform should be securely attached to the steel floor of the ute tub. Removing some of the tub liner material allows space needed to raise and level the Mounting Platform above different liner profiles. Follow this manual to remove the bed-liner around the bolt locations to allow for a level and safe installation.
- Use Spacer Disc parts provided to create a level installation.
- Bed-liners and roller-covers can remain in the ute tub. However, please check to ensure the KUFU Drawer System to-be installed is suitable and will not interfere with these type of accessories. For example: 460mm height drawers and any packing discs required will interfere with most roller-covers. Please double check the available ute bed height before proceeding with the installation. Note: A 460mm height system + 25mm packing = Approx 485mm System height. Allow 10mm clearance.
- Some ute tubs have different supporting channels beneath the tub floor, these run laterally across the tub. If the pilot holes and subsequent through holes are positioned on top of these channel areas, longer bolts and crush tubes may be required to support the tightening of fasteners to secure the Mounting Platform without crushing the channel of the ute tub.
- When installing a crush tube, bore out the upper through hole to allow the crush tube to drop into the channel beneath.
- It is recommended to inform the insurance provider for the vehicle of any modifications additions or accessories added to the vehicle, these may effect the ability to make claims depending on the level and or type of cover.
- The KUFU Drawer System and associated Mounting Platforms and Bracket Parts are designed for repeated use. However wear and tear will occur due to the nature of different materials in the assemblies and installations.

*Product Description and Summary:*

- The KUFU Drawer is a modular design that share common features throughout the range of drawers.
- Refer to the table below for the common names of features that will be referred to throughout this product manual.

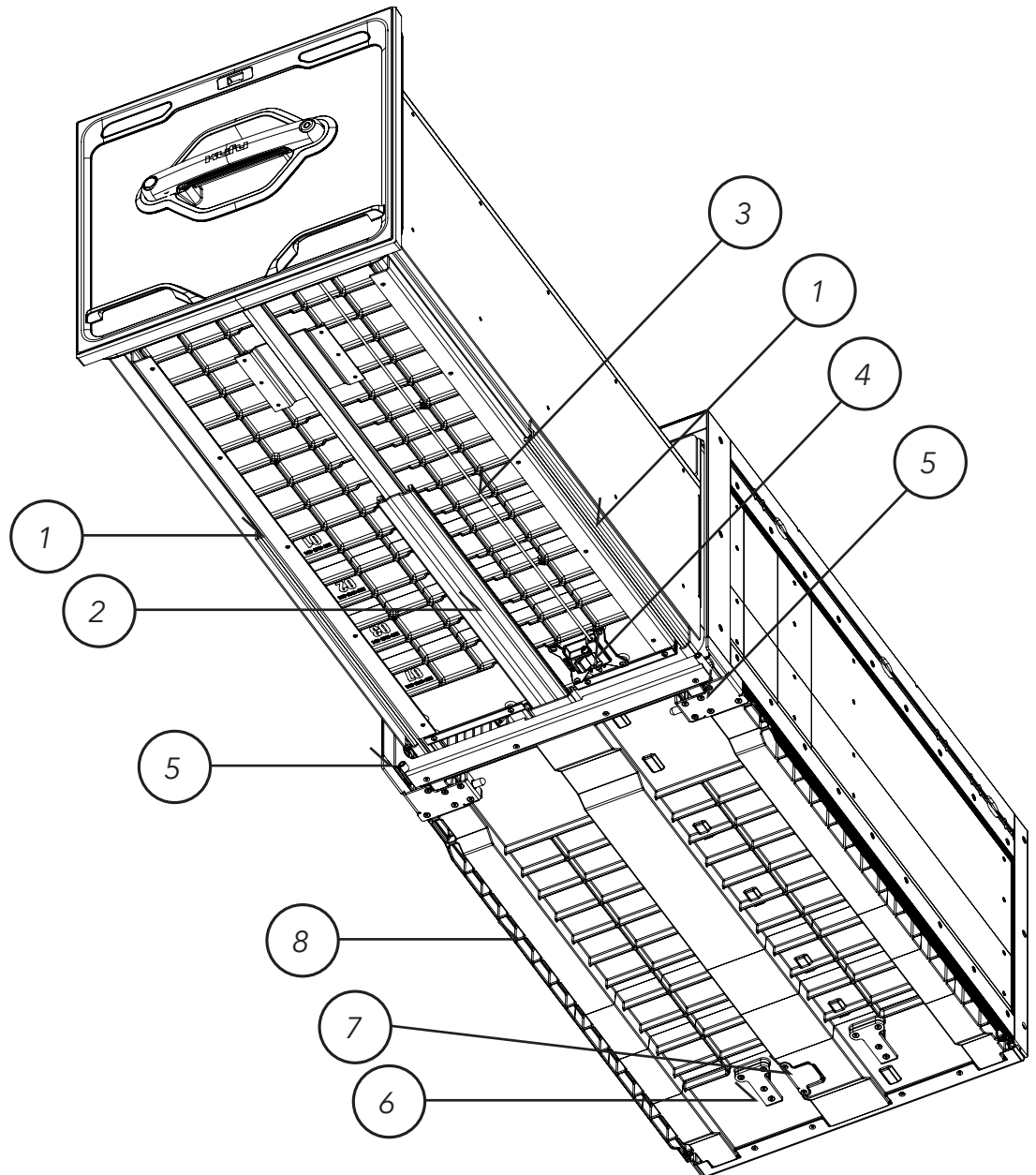
Part Name	Item
Drawer Carcass	1
Drawer Internal	2
Drawer Front	3
Mounting Rails	4
Drawer Trim	5
Non-slip Rubber Top	6
Drawer Trim Rail	7
Drawer Tub	8
LED Strip	9
LED Task-Lights	10
Lock	11
Task-Light On/Off Button	12
Drawer Handle & Latch Grip	13
Locking Pin	14

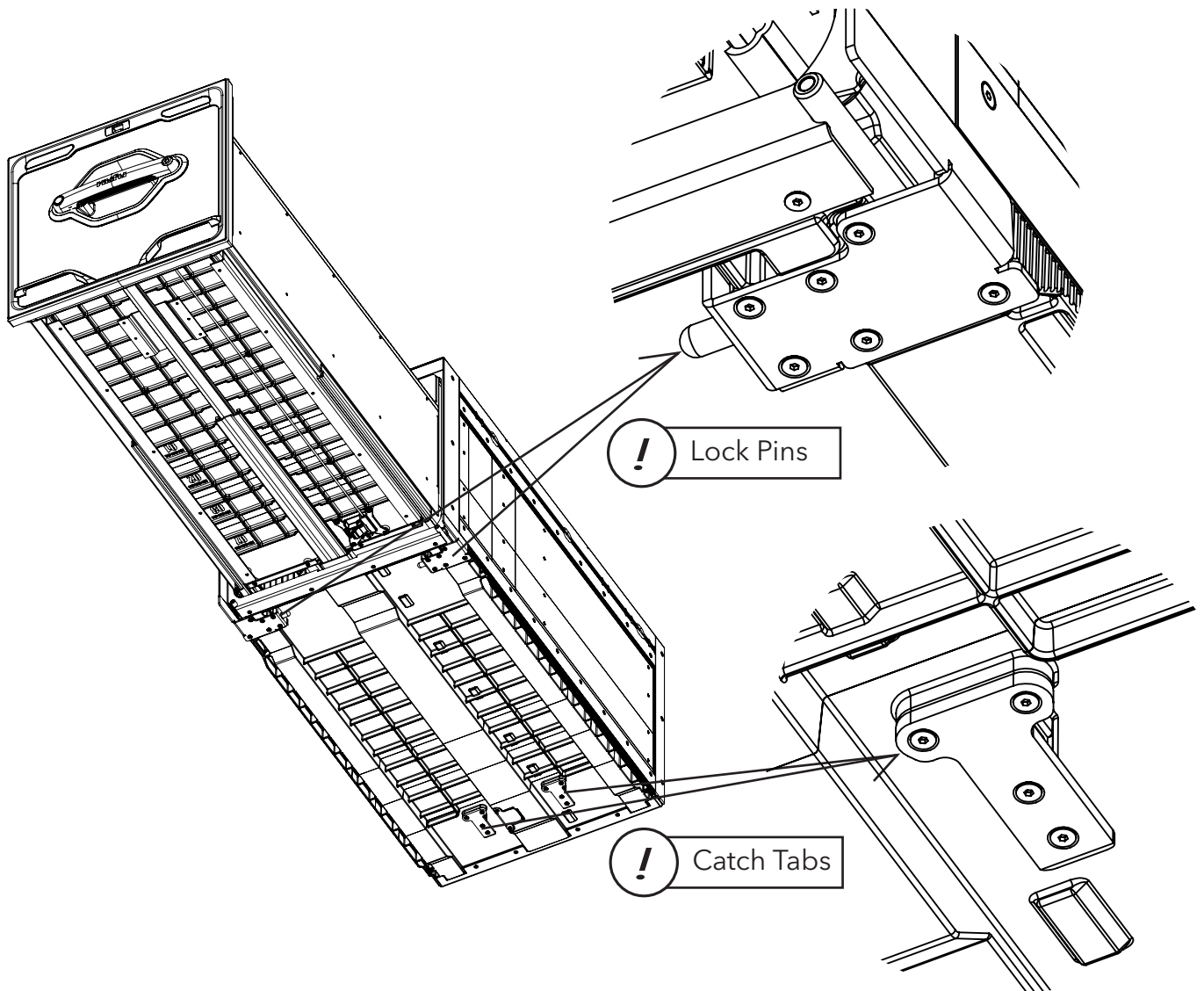


*Product Description and Summary Continued*

- Refer to the table below for the common names of features that will be referred to throughout this product manual.

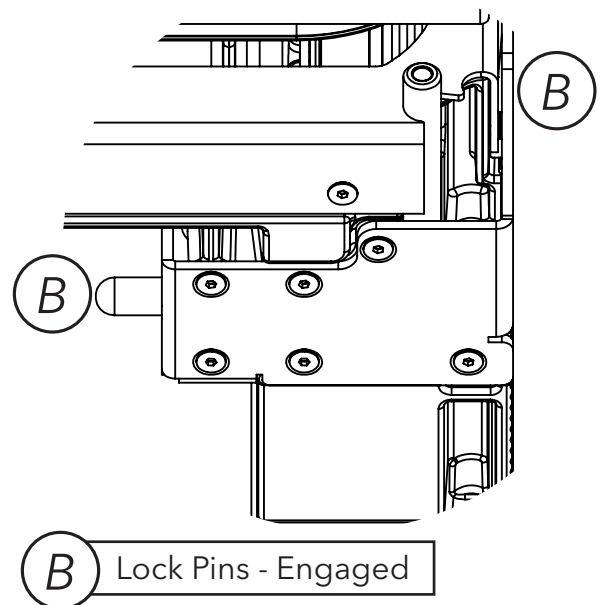
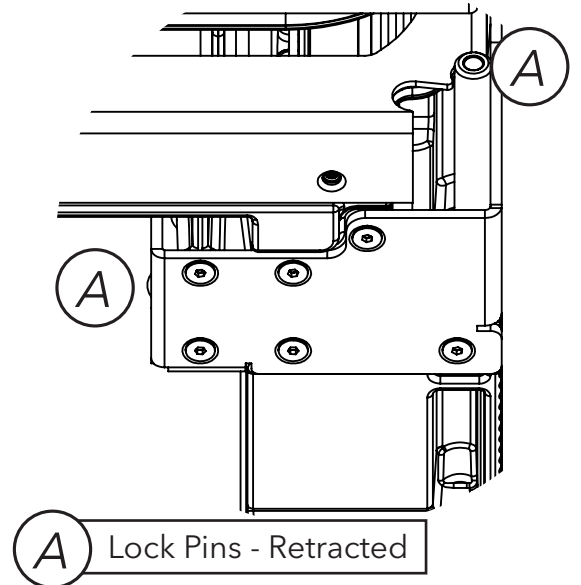
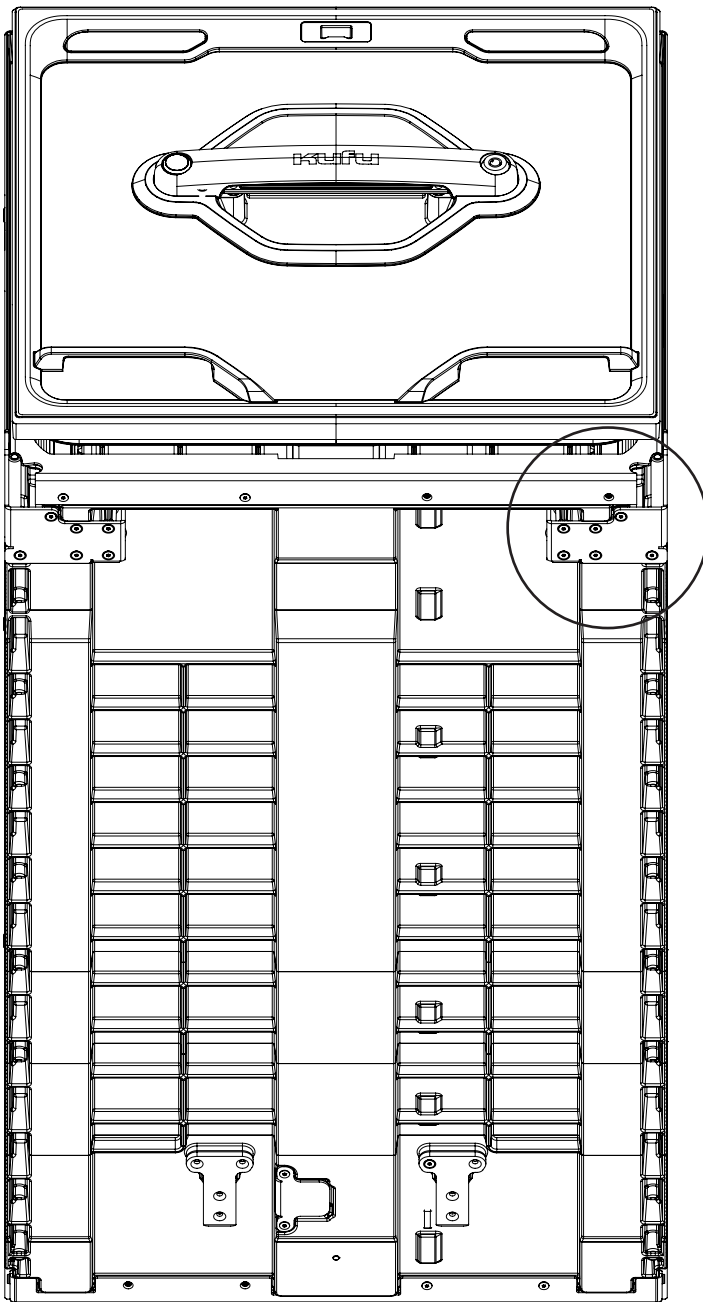
Part Name	Item
Telescoping Slide, Vertical	1
Telescoping Slide, Horizontal	2
Lock Actuator Rod	3
Lock Assembly	4
Lock Pins	5
Catch Tabs	6
Air Vent Cover	7
Base, Drawer Carcass	8





### *Catch-and-Click System Summary:*

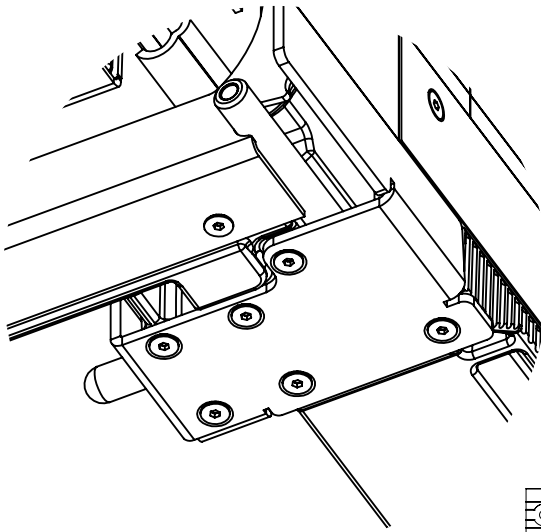
- The Catch-and-Click System is designed to securely and easily attach and release the KUFU System Products from the Mounting Platform beneath.
- The Lock Pins should align with the Click Brackets on the Mounting Platform beneath.
- The Catch Tabs should align with the Catch Brackets on the Mounting Platform beneath.
- Follow the Assembly Installation Steps in the Mounting Platform Manuals to securely attach the Catch and Click system to your installation.



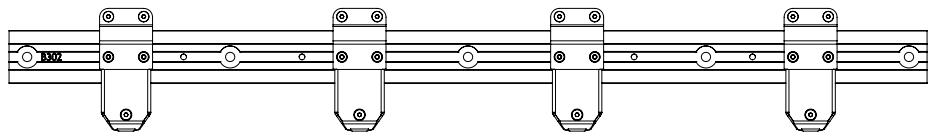
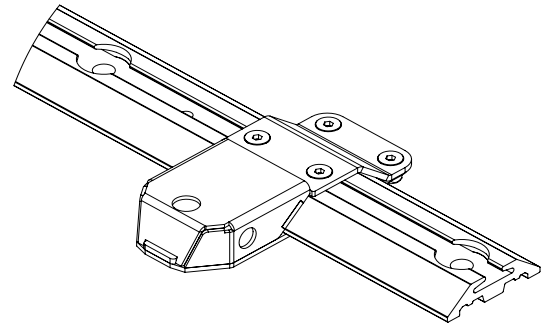
*Catch-and-Click System Summary:*

- The Lock Pins are spring loaded.
- For secure attachment to the Catch and Click Brackets, the pins should be retracted to allow the Drawer to be correctly positioned.
- The Lock Pin can rest in the retracted position when pushed upward into the sheetmetal recess, see detail A above.
- All Lock Pins should be in the engaged position when the Drawer is in the final position upon the Catch and Click Brackets, see detail B above.
- The hole in the Lock Pin is for a tool, like a hex-key to move the pins if required.



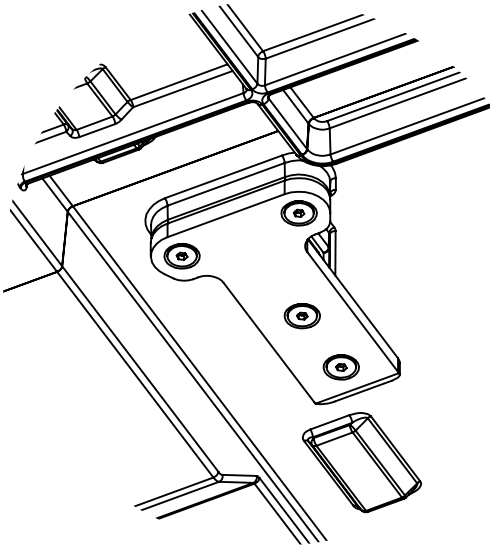


! Lock Pins

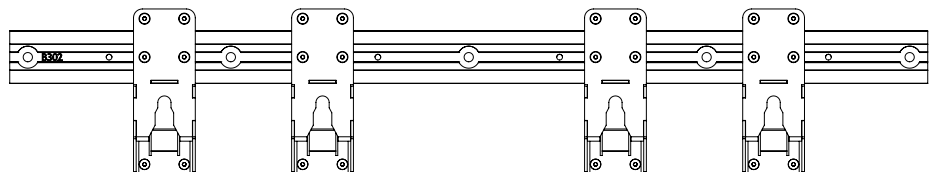
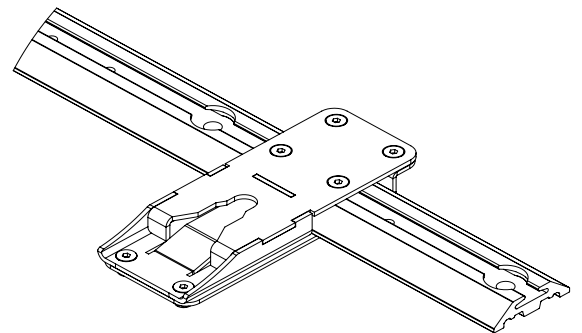


! Click Brackets

! Click Brackets



! Catch Tabs

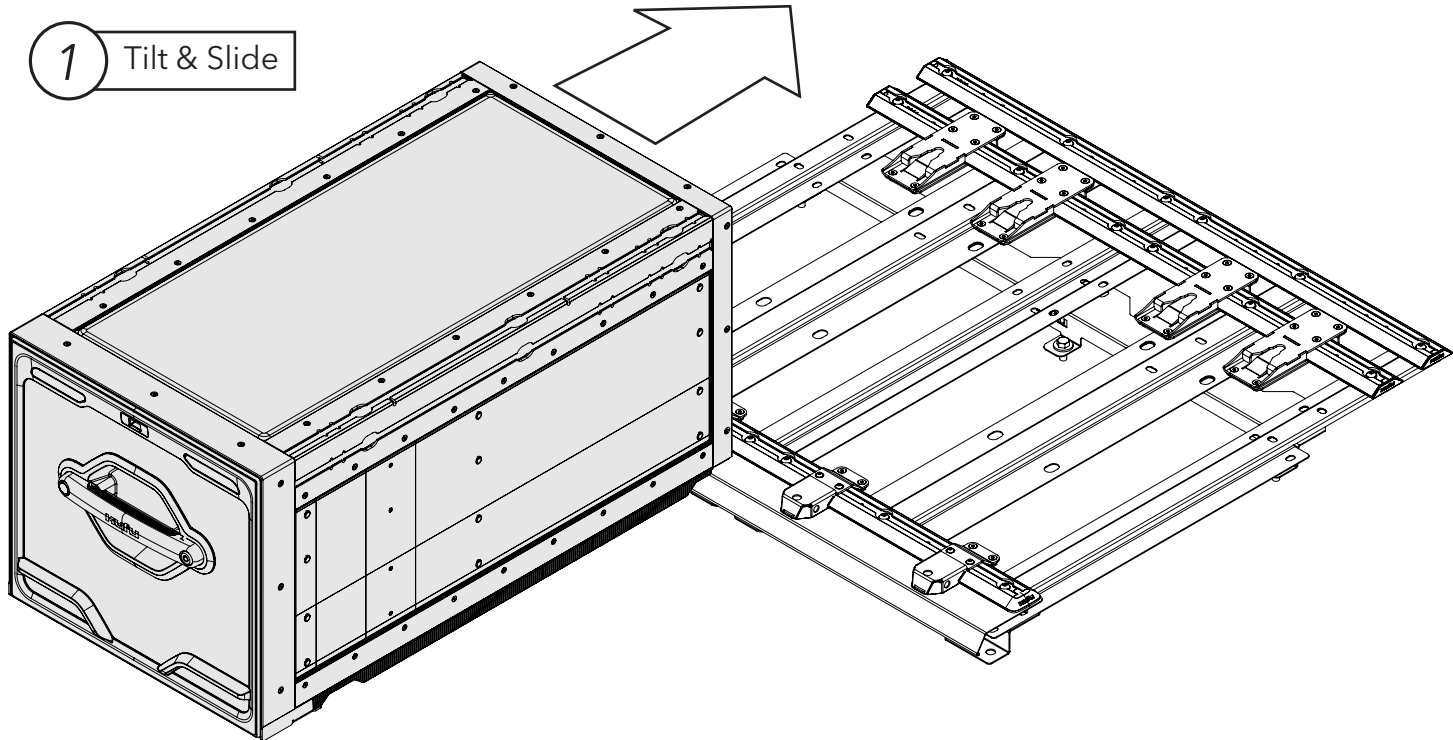
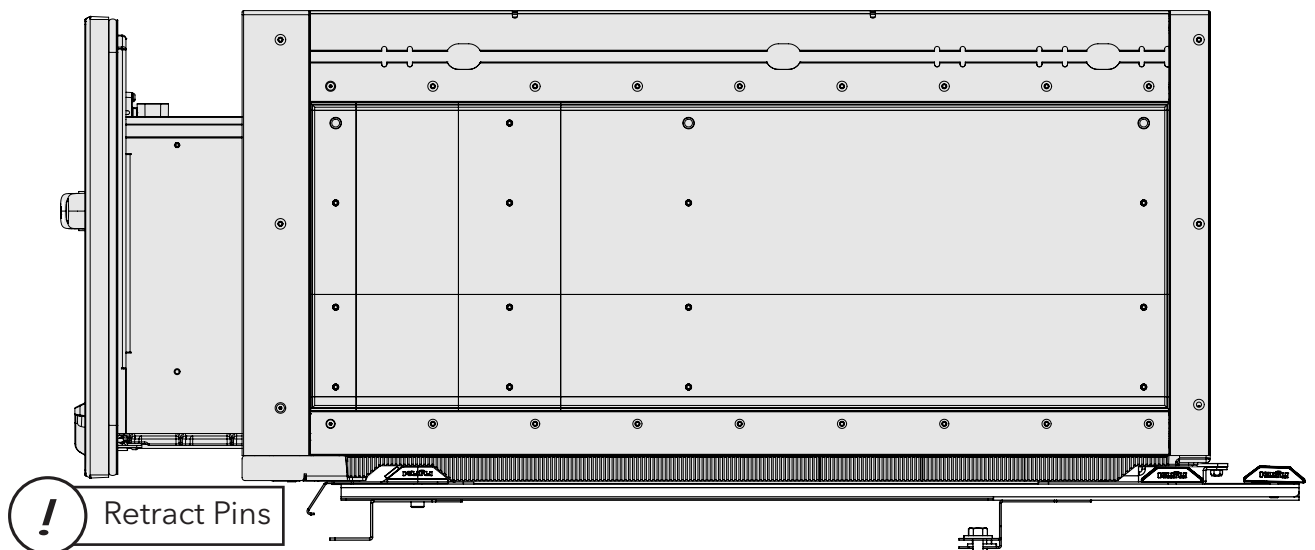


! Catch Brackets

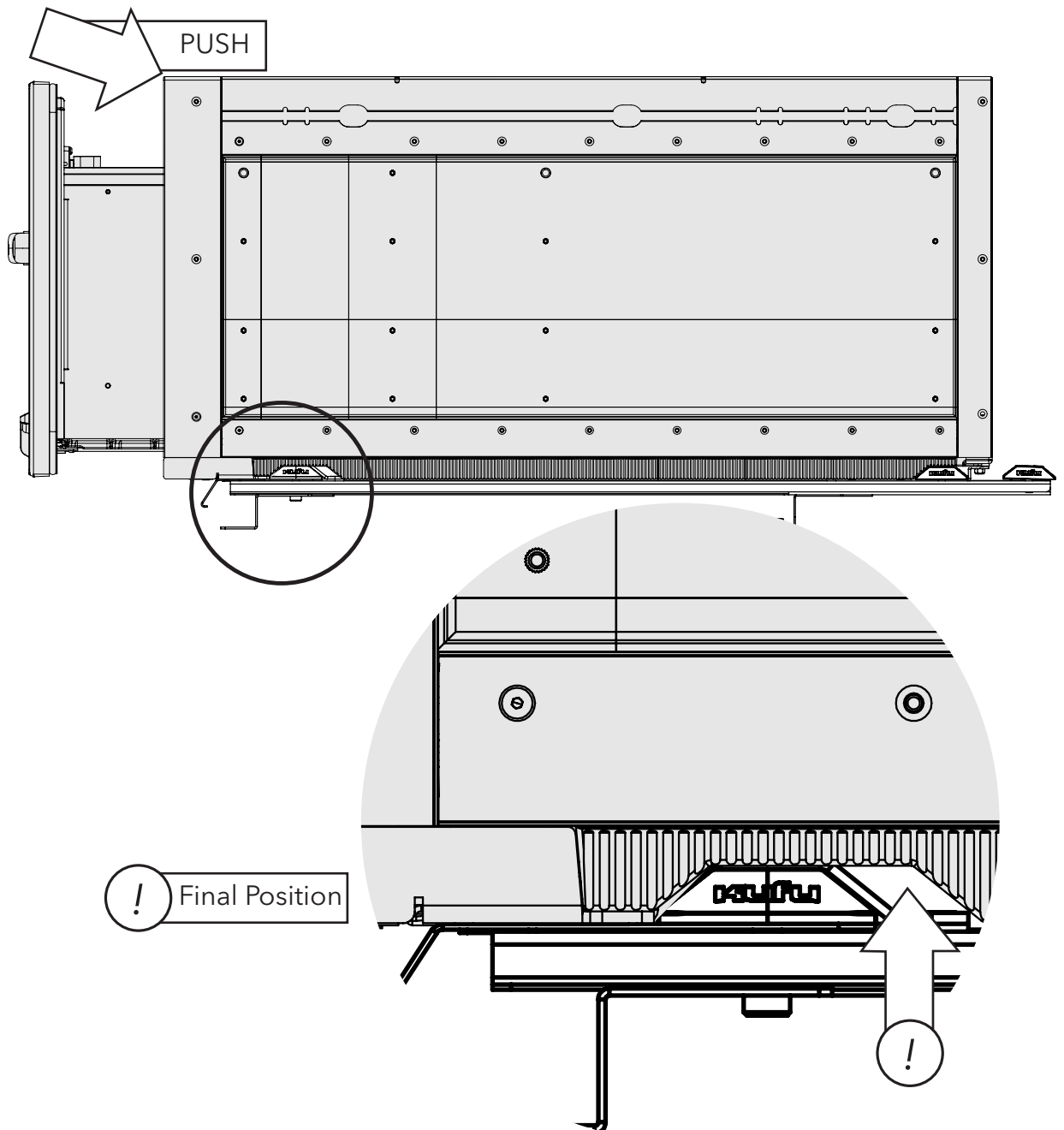
! Catch Brackets

*Catch-and-Click System Summary:*

- The Lock Pins align and fit within the holes on the sides of the Click Brackets
- The Catch Tabs align and fit within the the slots upon the Catch Brackets

**2** Retract Pins & Ready*Installing the Drawer to the Catch and Click Brackets:*

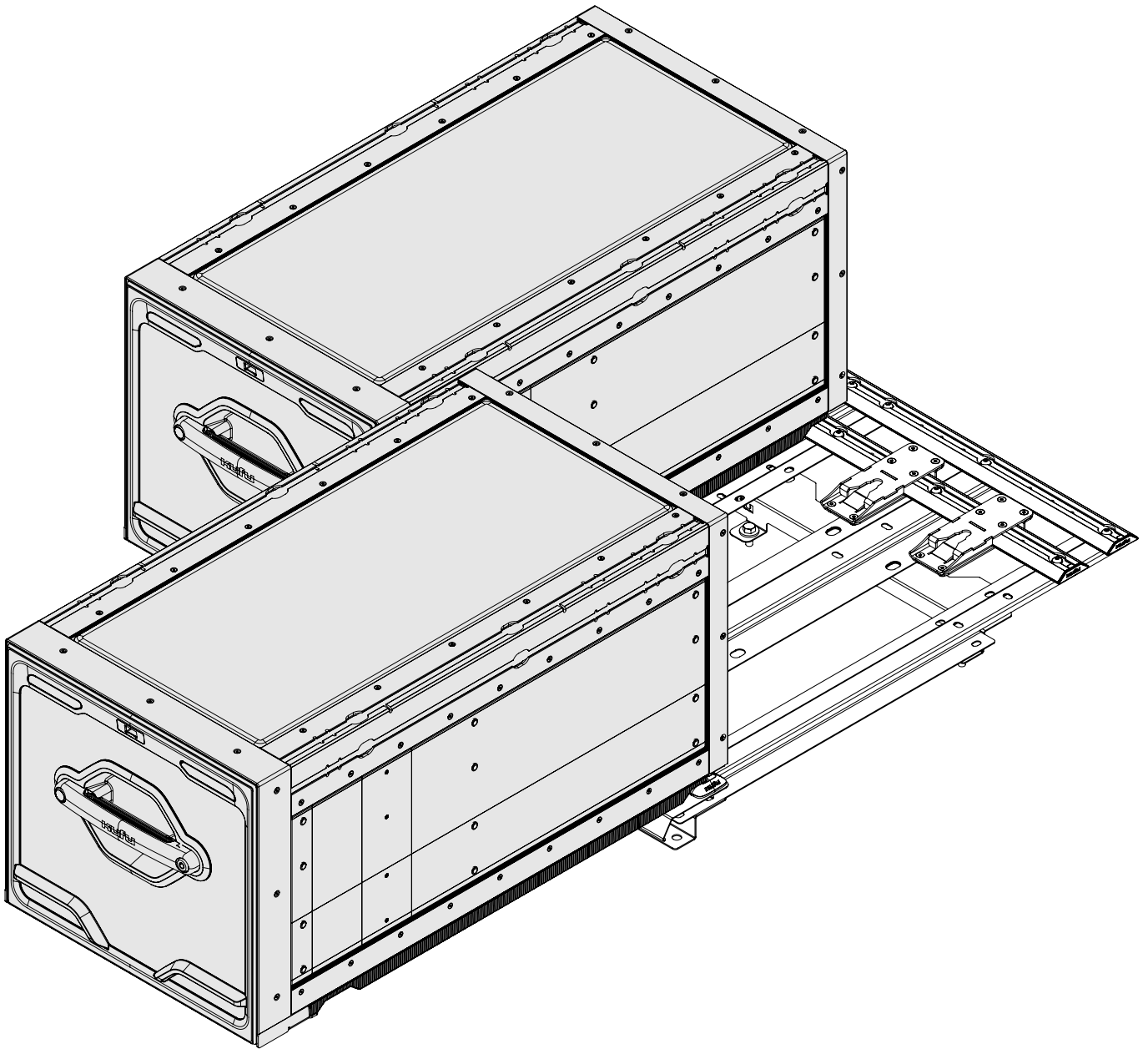
1. Position the Drawer on the Mounting Platform. Tilt the Drawer down and slide the Drawer over the first rail and the Click Brackets. Align the side of the drawer to the edge of the Mounting Platform OR the side of the Drawer and the centre of the Mounting Platform, to align the with the Catch Brackets.
2. Position the Drawer on the Mounting Platform rails as shown in drawing 2. Open the Dower to the first rest position. Retract the Lock Pins on both sides. The Drawer is ready to be loaded and locked to the Catch and Click Brackets.

**3** Final Position*Installing the Drawer to the Catch and Click Brackets:*

3. Push the Drawer at the top edge trim of the Drawer Carcass into the final position shown above. Then release the Lock Pins from their retracted position so they engage with the Click Brackets beneath the Drawer.

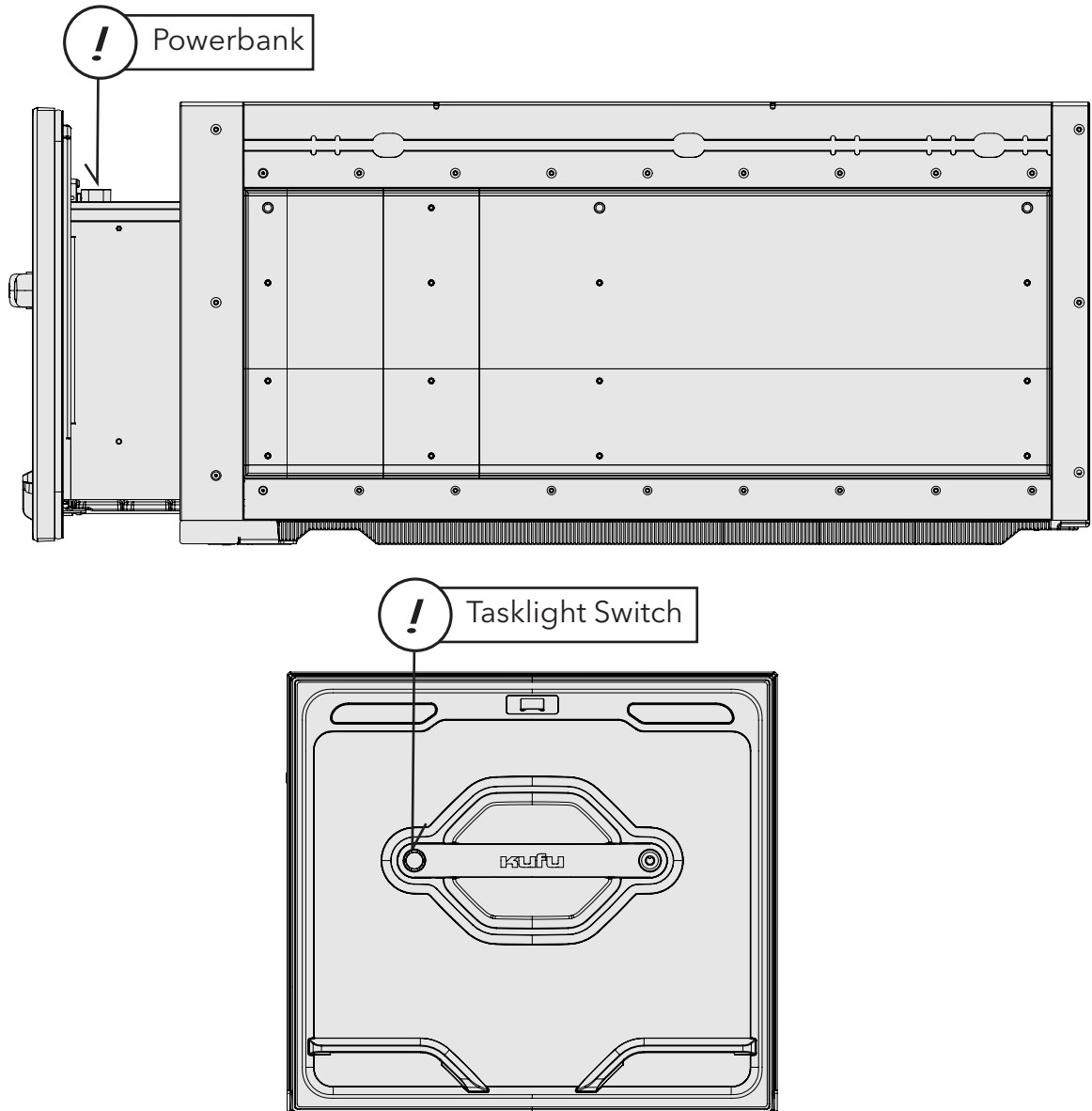
Confirm the correct position is achieved by checking for a gap forward of the first rail, see detail above. The pins should be engaged when the Drawer is in this final position.

NOTE: The Catch and Click Brackets and Mounting Platform should be level to correctly engage the Lock Pins, some adjustment and movement may be required.



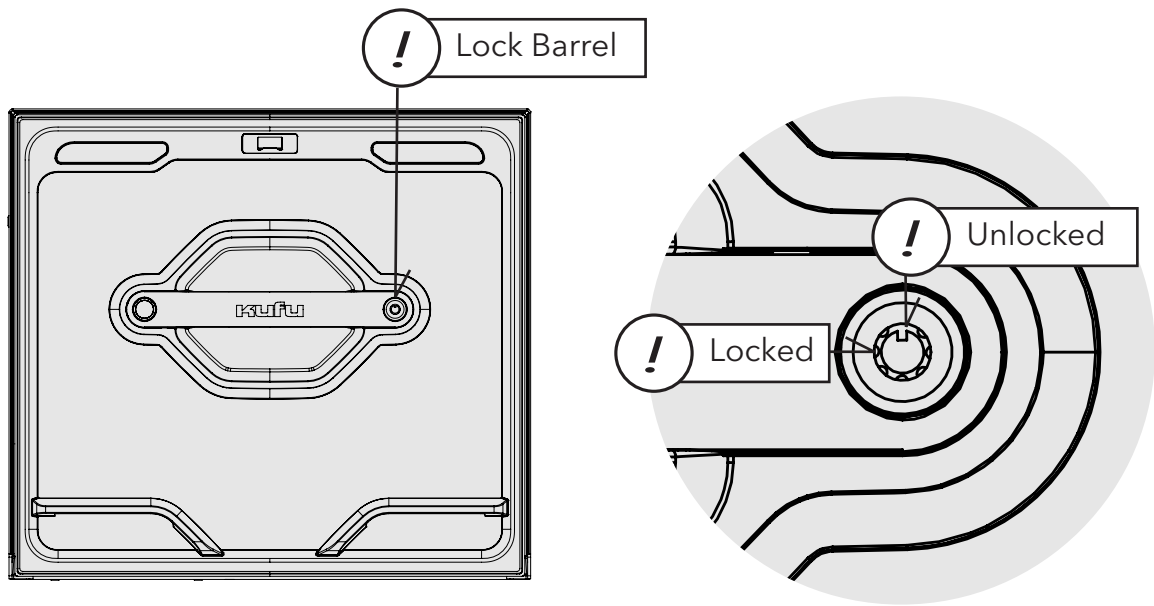
### *Installing more Drawers:*

- Additional Drawers can be assembled following the same steps in this Product Manual
- More Catch and Click Brackets can be installed to the top of Drawers that allow stacking.
- Please refer to the Safety Guide before stacking Drawers.
- Please refer to the Installation Instruction Manuals of the Catch and Click System and Stacking Kits.



### *LED Lighting System:*

- The KUFU Drawer System has 2 lighting sources:
  - Internal LED Strip-lights, these are low output automatically switched.
  - External LED Task-lights, these are high output and switch manually
- To use the Lighting System, first wakeup the Powerbank by pressing the powerbank switch.
- The Internal LED Strip-lights will turn on whenever the Drawer is open and the Powerbank is awake, however in bright daylight these lights are hard to see. These lights will turn off when the drawer is closed.
- The External LED-task-lights are switch by using Silicone button on the left of the Drawer Handle.
- The red KUFU Logo will glow if either light is on.



### *KUFU Drawer Lock:*

- The KUFU Drawer System uses a tubular key locking barrel:
  - Unlocked is in a 12 o'clock position
  - Locked is in a 9 o'clock position

#### To Lock & Unlock the Drawer:

- Close the Drawer OR Slide the Drawer to find a rest position for the Latch.
- Release the Grip
- use the Tubular Key and rotate to the left from 12 to 9 o'clock position
- Remove the key, the drawer is now locked
- The Grip should plunge freely now that the Latch Locking mechanism has been disengaged.
- To unlock, release the Grip, and use the tubular Key and rotate from 9 to 12 o'clock position, the drawer is now unlocked.
- Squeeze the Grip firmly to retract the latch from the previously locked rest position.

The Drawer can be locked open in any rest position, however the latching mechanisms are exposed in this scenario. Only use the lock-open feature to avoid misuse by other possible drawer users to prevent damage.

NOTE: Should the mechanism become interlocked, use the key to lock and then unlock without using the Grip, and ensure this process is performed in a Latch rest position.

### *Safety Guide - Load and Stacking:*

- Each Catch and Click set of brackets and KUFU Drawer is rated to carry 150Kg of contents. Do not exceed this weight.
- Each Drawer that is Stacked above a KUFU Drawer including the contents contributes to the load capacity of the Drawer beneath. Do not exceed this weight capacity limit.
- 460mm height Drawers cannot be stacked
- 280mm drawers can be stacked with either another 280mm drawer or a 180mm drawer.
- 180mm height Drawers can be stacked with either a single 280mm Drawer or another 2x 180 Drawers.

NOTE: The weight of each stacked drawer contents should be reduced to not exceed the capacity of the entire Stack.

- The Drawer top surface can also take load or cargo, always ensure this cargo is secure to the vehicle and the Drawer System and do not overload the capacity of the KUFU Drawer System.
- Do not exceed the GVM of the vehicle.

### *Product Guide:*

- The KUFU Drawer System has a complete rubber bulb-seal. This provides preventative sealing against different types of ingress.
- The seal quality can vary slightly between product sizes and care should be taken to reduce the risk of ingress wherever possible.
- Moisture and dust can settle and or penetrate the drawer system while in general use, particularly while the drawer is open. This moisture can condense on the internal surfaces and the cargo within the drawer. It is advised to limit the length of time the drawer is open particularly at dew point transition times at the end of the day and or in very humid conditions. Moisture scavenging desiccant may be needed to reduce the internal condensation.
- For sensitive equipment and cargo, and foodstuffs further protection may be required to prevent damage to these items and also preventing ingress of moisture and dust.
- Do not submerge the Drawer System to any height of liquid.
- Do not spray the Drawer System with high pressure or high volume water jets.
- Hand wash the drawer system with low pressure and low volume water spray.
- Do not point water spray directly into the drawer front.
- Remove the powerbank to recharge.
- Do not place fingers or hands in the drawer while closing.
- Keep hands clear of the Drawer system when in use.
- Do not allow children near or underneath the Drawer system when in use, particular at the rear of a vehicle. Moving and overlapping mechanical parts can cause harm.

### *Maintenance:*

- The Locking Pins can benefit from lubrication as the materials and exposed mechanism can capture debris and cause excess friction. Do not disassemble for lubrication maintenance. Lubricate each Locking Pin from the open ends with a longer dipstick using grease.
- Do not leave the Drawer open for extended periods of time. Moisture and dust can settle within the Drawer internals and cause accelerated degradation of moving parts and components.
- Check critical fasteners on the Drawer System periodically to ensure they are hand tight.
- Check critical fasteners on Mounting Platform and Catch-and-Click Brackets to ensure they are hand-tight using a tool and assemblies are without rattles or movement.
- Clean the seals with a soft damp cloth.
- Remove the drawer dividers with a Hex Driver and remove the Drawer Tub Carpet for cleaning. Sponge the carpet and dry flat. Sponge clean the drawer internal carpet.
- Clean the Drawer with a soft cloth, damp with only water and kitchen detergent.
- Do not pour liquids directly onto or into the Drawer or the Drawer Front.
- Do not use corrosive cleaning agents.
- Do not use acid or alkaline based cleaners.
- Do not use hot water when cleaning.
- Do not wash with high pressure spray when cleaning.



## *KUFU Drawer System*

Designed and Assembled in Australia  
[www.kufu.com.au](http://www.kufu.com.au) | [sales@kufu.com.au](mailto:sales@kufu.com.au)

Impact Import Group Pty. Ltd  
153 Ash Road  
Leopold, VIC 3224  
[info@impactimport.com.au](mailto:info@impactimport.com.au)