

COMPANY NAME _____
CONTACT NAME _____
SHIP TO ADDRESS _____
PHONE _____ **EMAIL** _____
JOB NAME / PO# _____ **FAX** _____

NECS USE FIELDS
NECS S/O# _____
NECS CUST # _____
SHIP VIA _____
SHIP DATE _____

CUSTOM "FIREPLACE MANTLE SHIELD"

MATERIAL:

NECS QUOTE

- 24ga 304
- 20ga 304 (Standard)
- Other _____

FINISH:

- UNTREATED
- POWDER COAT (Standard)
(High-Temp Black ONLY)

EDGE TYPE:

- 1/2" HEM (Standard)
- STRAIGHT

LEG 1:

LENGTH _____

LEG 2:

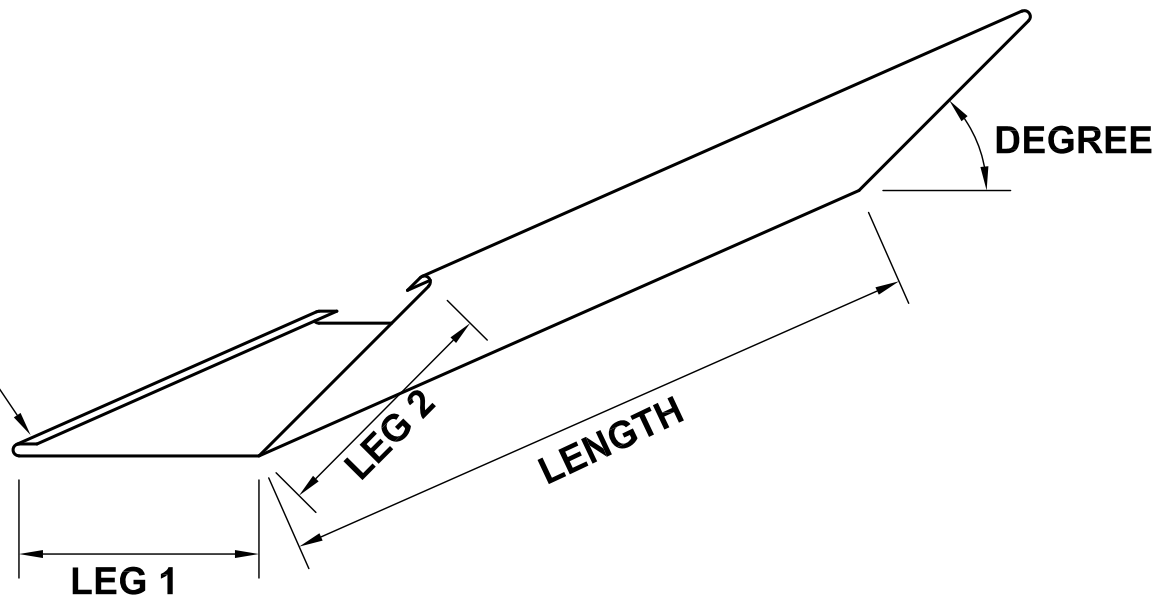
LENGTH _____

LENGTH:

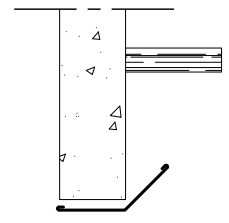
LENGTH _____

DEGREE:

- 15°
- 30° (Standard)
- 45° (Standard)
- 60°
- 90°
- Other _____



APPLICATION EXAMPLE:



SPECIAL NOTES:



New England Supply

34 Commerce Street, Williston, VT 05495
 Phone: (802) 858-4577 (888) 900-8106
 Fax: (888) 392-4432
<http://www.NewEnglandChimneySupply.com>

Fax To: (888) 392-4432

-OR-

Email To:

order@nesbestflex.com