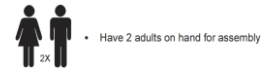


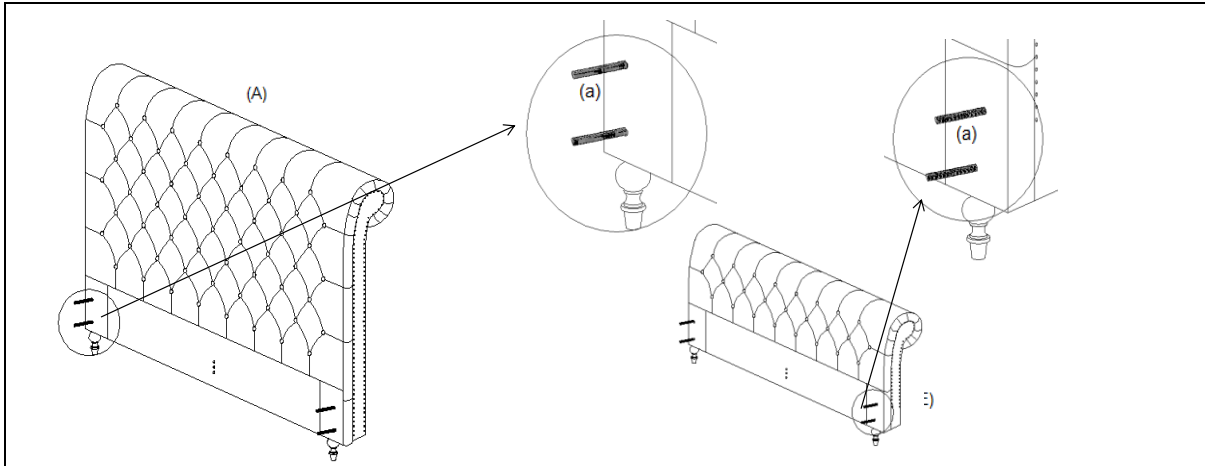
Southampton Bed Assembly Instruction



Headboard (A) 1PC	Headboard foot (B1)	Footboard foot (B2)	size:Ø40*160mm Middle leg I (C1) 2pcs	size:Ø40*125mm Middle leg II (C2) 2pcs
Side rail (D) 2pcs	Footboard (E) 1pc	Slat (F) 1pcs	Middle leg rail (G) 1pc	
size:M8*90mm Threaded bolt (a) 8pcs	size:M8*30mm Inner hexagon screw (b) 4pcs	size:M8*50mm Inner hexagon screw (c) 2pcs	sizes:Ø 22mm Flat washer (d) 14pcs	Bent washer (e) 14pcs
Nut (f) 10pcs	Plastic washer (g) 6pcs	Angle iron (h) 2pc	Ø:5mm Allen wrench (i) 1pc	Ø:14mm Wrench (j) 1pc

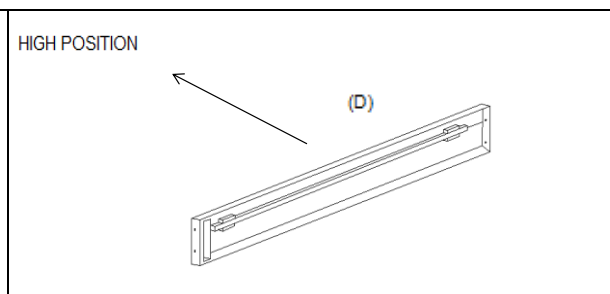
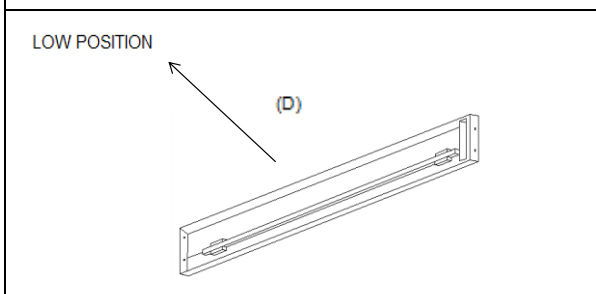
Step 1. Install the Headboard foot (B1) to the Headboard (A) with Plastic washer (g) by hands.

Step 2. Install the Footboard foot (B2) to the Footboard (E) with Plastic washer (g) by hands.



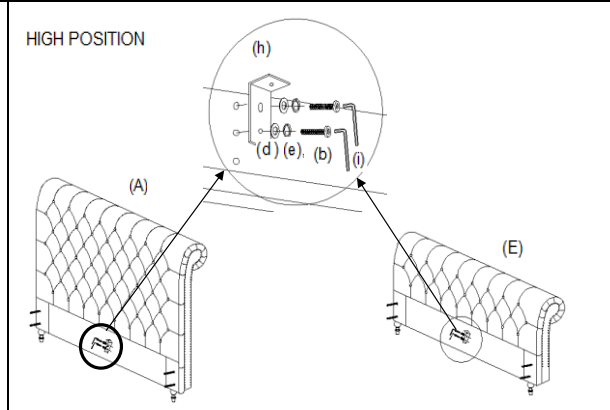
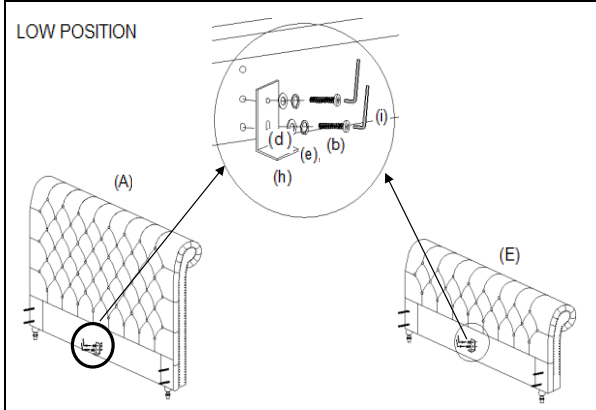
Step 3. Screw in the Threaded bolt (a) to the Headboard (A) and Footboard (E), and tighten the threaded bolts by hand.

Please determine your mattress height

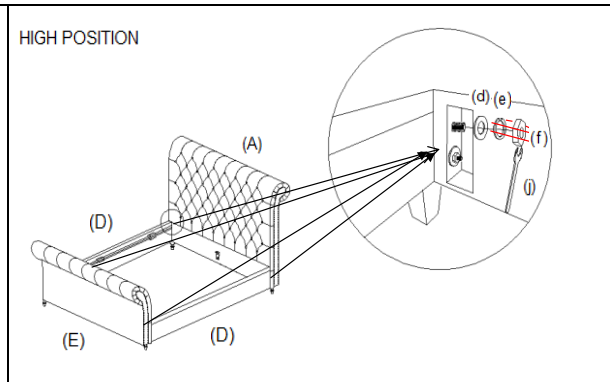
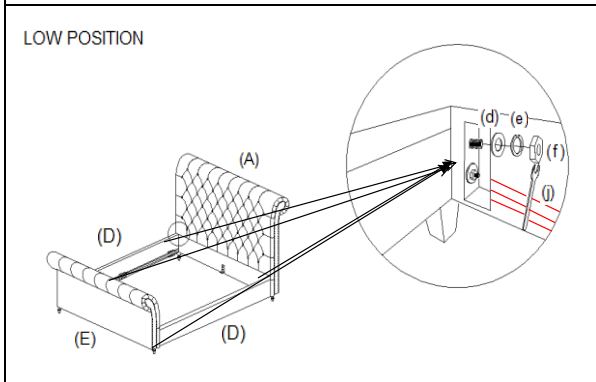


Step 4. Use this position for Mattress and Box Springs

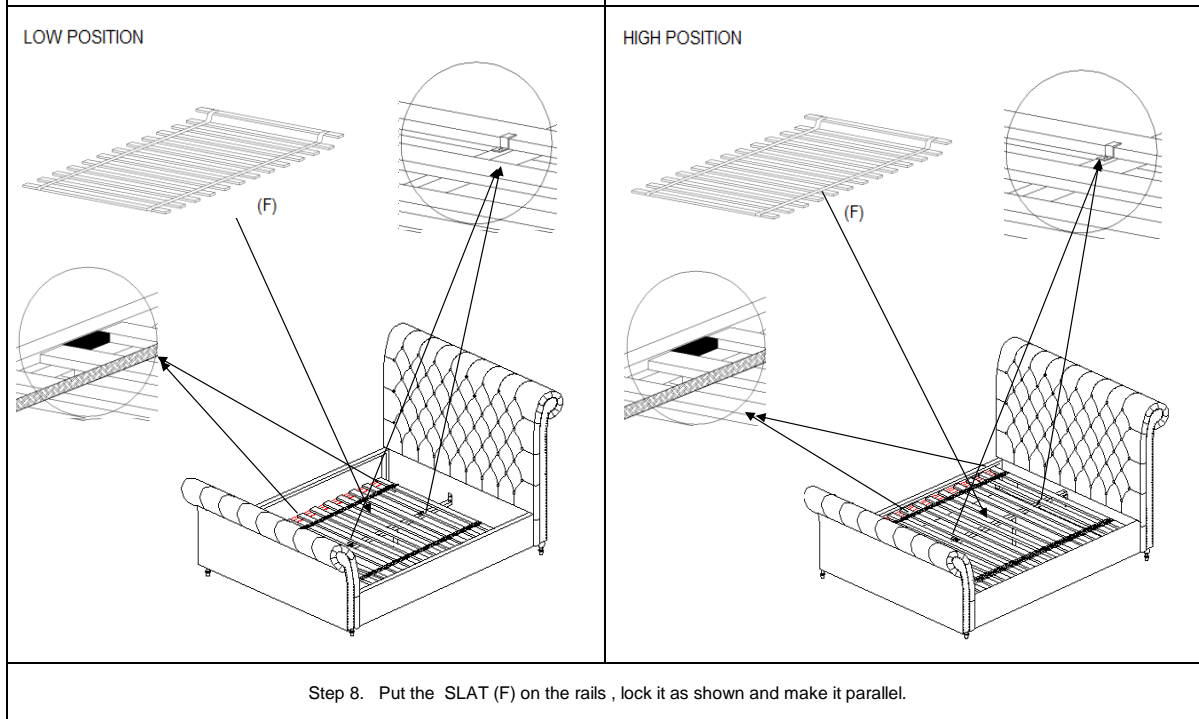
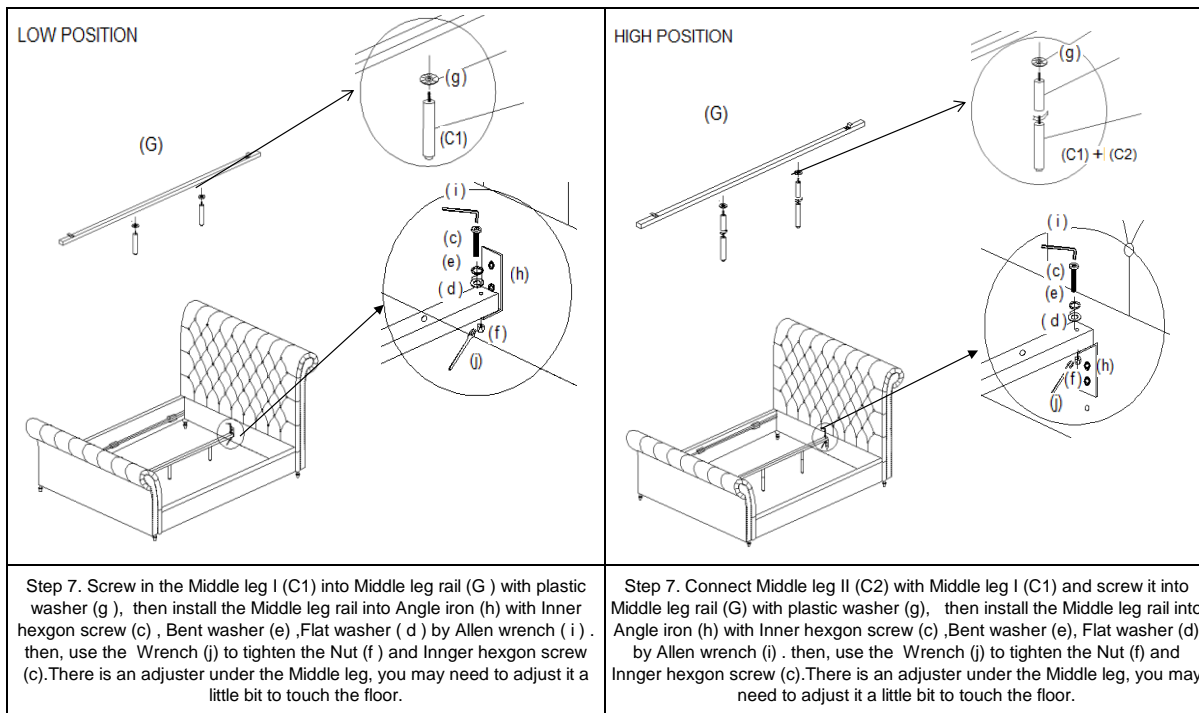
Step 4. Use this position for Mattress Only



Step 5. Install the Angle iron (h) to the headboard (A) and footboard (E) with Inner hexagon screw (b), Bent washer (e), Flat washer (d) by Allen wrench (i), make sure it is in the right position and direction as shown in the picture and tighten the screws.



Step 6. Install the Side rail (D) into Headboard (A) then Footboard (E) with Nut (f), Bent washer (e) and Flat washer (d), use Wrench (j) to tighten the nut.



CAUTION: Do not attempt to move the bed when fully assembled. This could result in damage to the rails, headboard, or footboard.