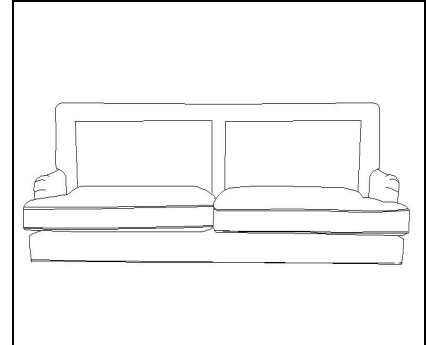
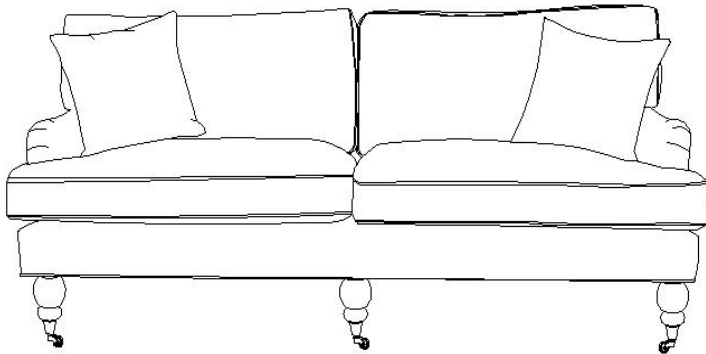


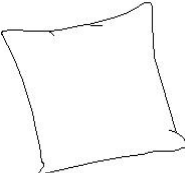
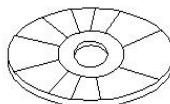
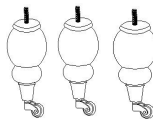
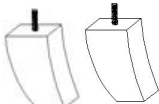
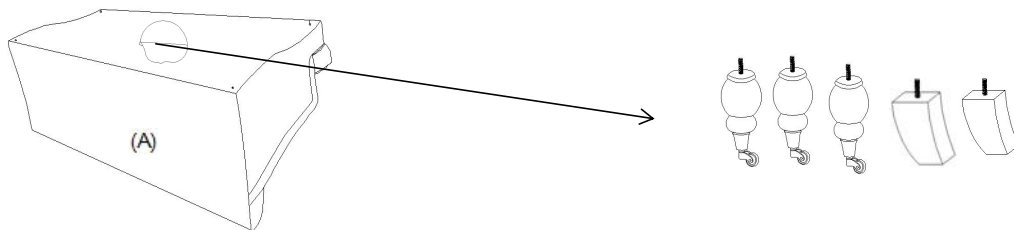


San Francisco Sofa Assembly Instruction

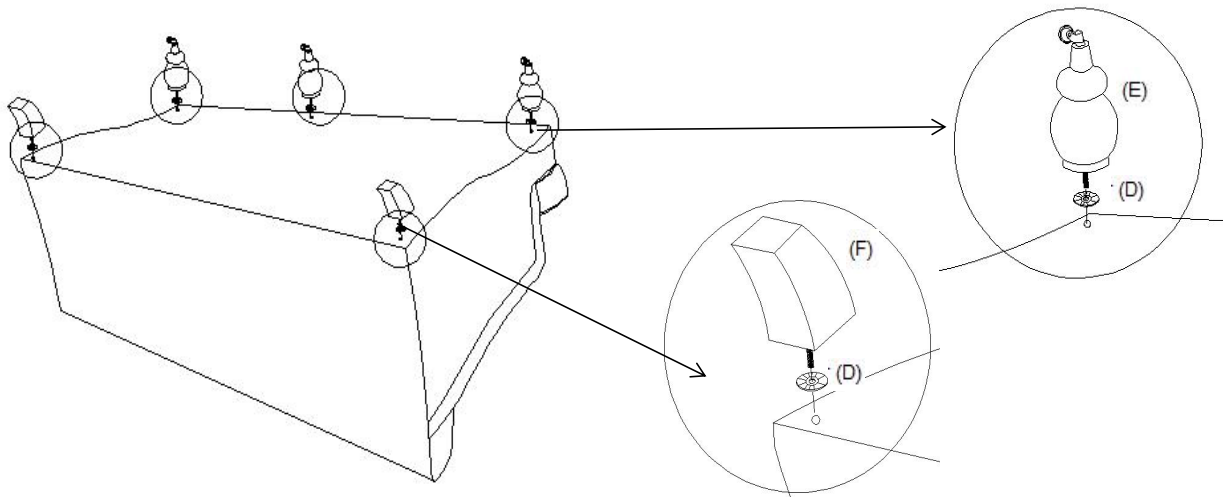


SOFA 1PC (A)

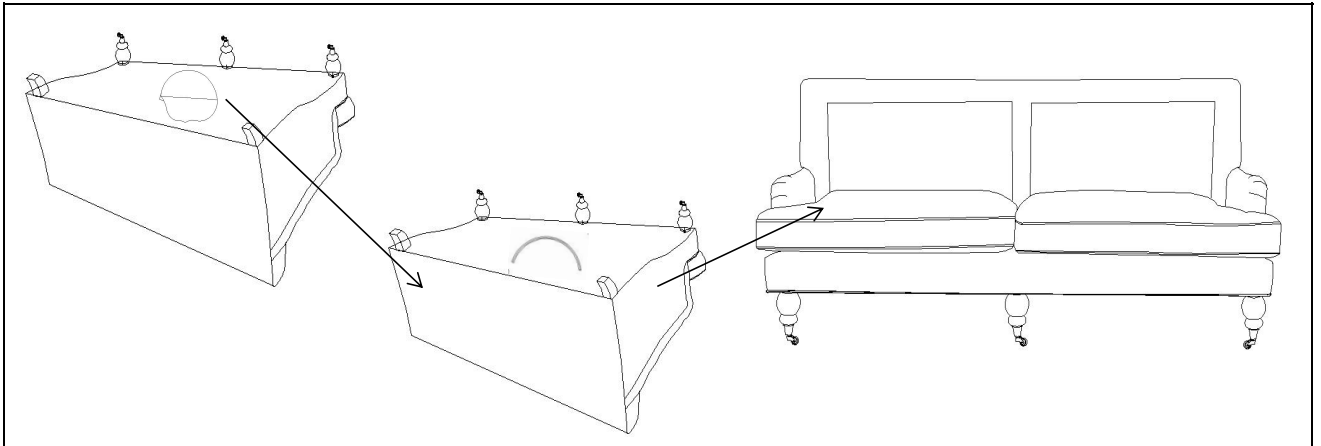
					
LEFT BACK CUSHION 1PC (B1)	RIGHT BACK CUSHION 1PC (B2)	PILLOW 2PCS (C)	PLASTIC WASHER 4PCS (D)	FRONT LEG 3PCS (E)	REAR LEG 2PCS (F)



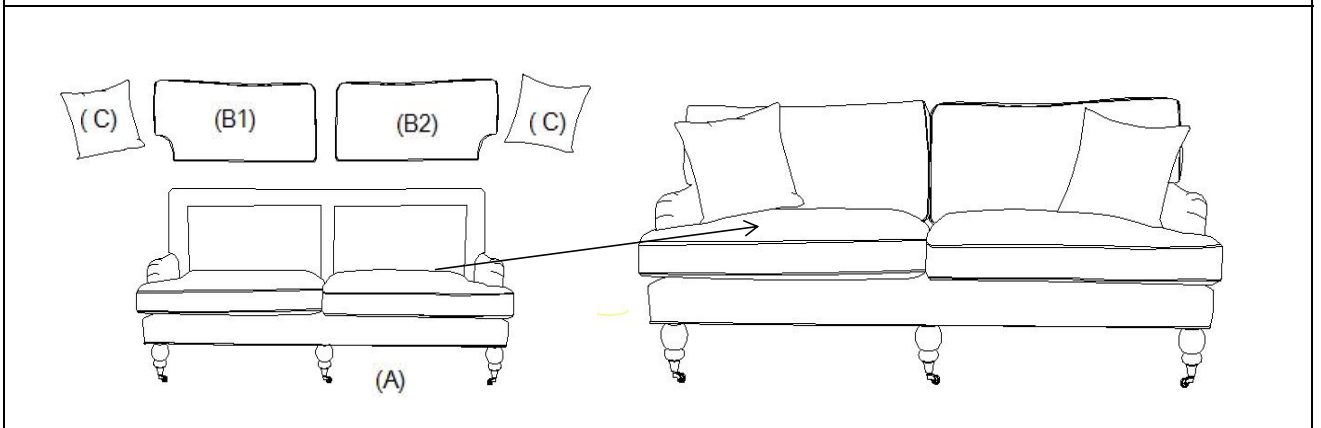
Step 1. Turn over the sofa (A) and open the bottom cover as the picture shown, then take out the leg (E)&(F) from here .



Step 2. Install the Leg (E)&(F) to the sofa (A) with the plastic washer (D) one by one .

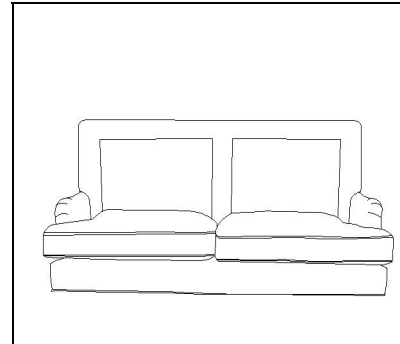
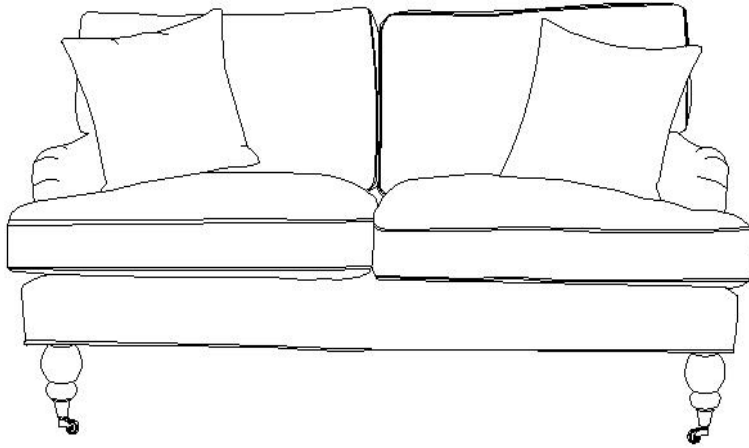


Step 3.Zip on the bottom cover and turn over your sofa as the picture shown.


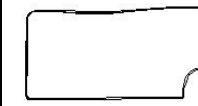
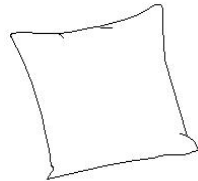
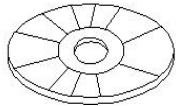
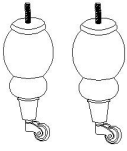
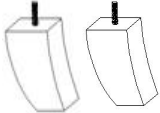


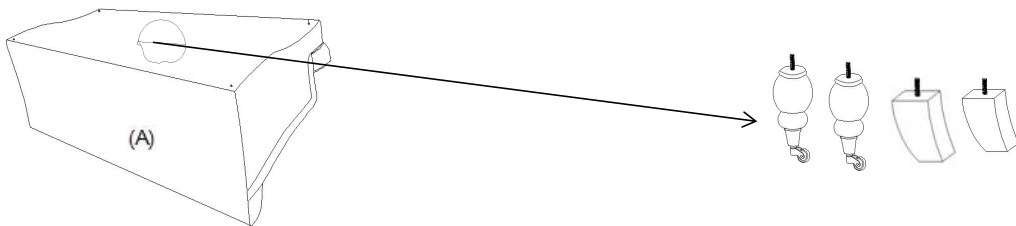
Step 4.Put the left back cushion (B1),right back cushion (B2) and pillow (C) into the sofa (A) as the picture shown .

San Francisco Loveseat Assembly Instruction

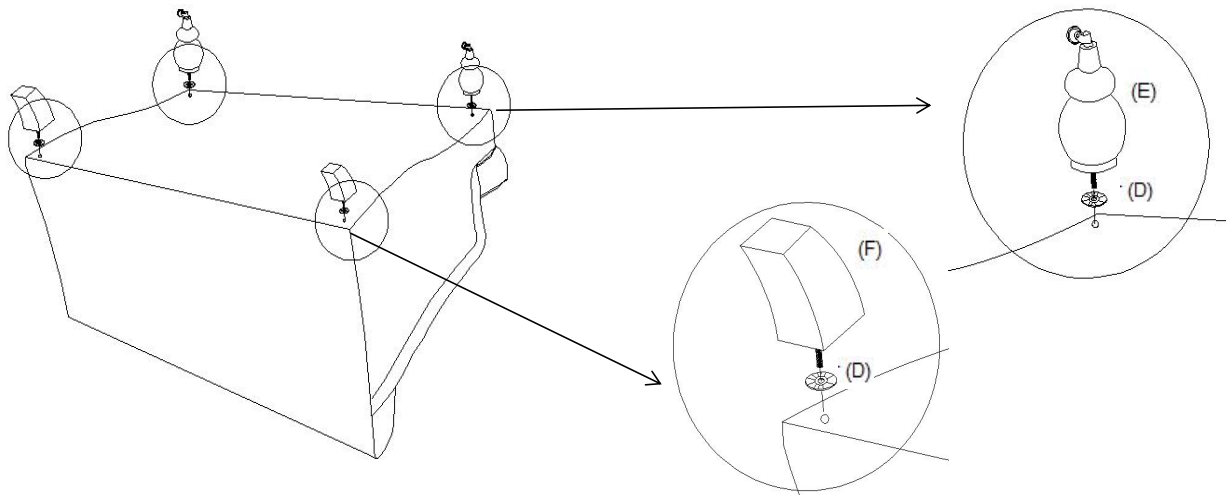


LOVESEAT 1PC (A)

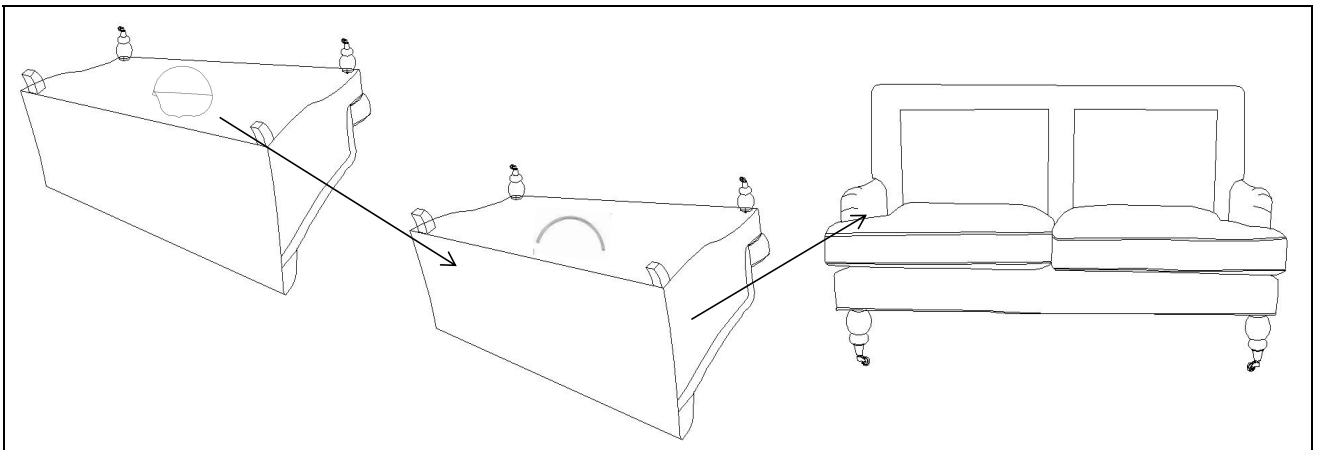
					
LEFT BACK CUSHION 1PC (B1)	RIGHT BACK CUSHION 1PC (B2)	PILLOW 2PCS (C)	PLASTIC WASHER 4PCS (D)	FRONT LEG 2PCS (E)	REAR LEG 2PCS (F)



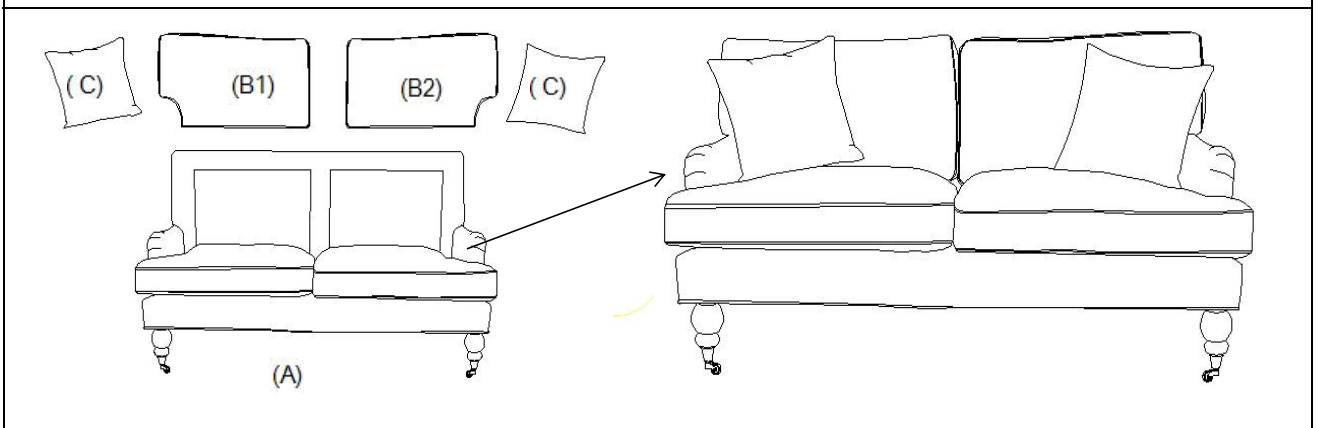
Step 1. Turn over the loveseat (A) and open the bottom cover as the picture shown, then take out the leg (E)&(F) from here .



Step 2. Install the Leg (E)&(F) to the loveseat (A) with the plastic washer (D) one by one .

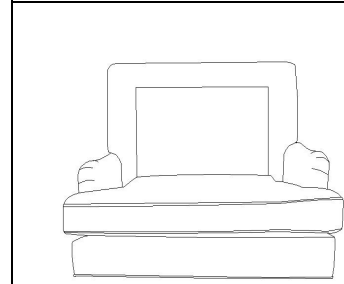


Step 3.Zip on the bottom cover and turn over your sofa as the picture shown.

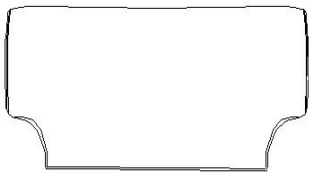


Step 4.Put the left back cushion (B1),right back cushion (B2) and pillow (C) into the loveseat (A) as the picture shown .

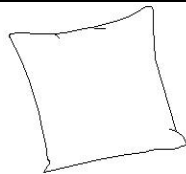
San Francisco Chair Assembly Instruction



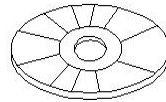
Chair 1PC (A)



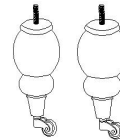
BACK CUSHION 1PC (B)



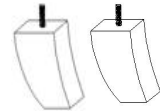
PILLOW 1PC (C)



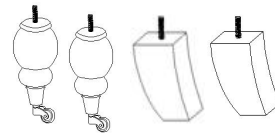
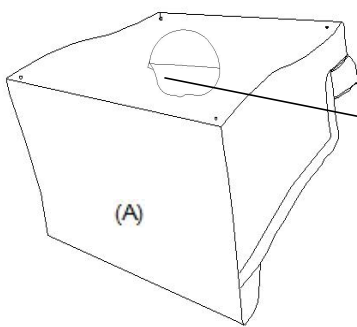
PLASTIC WASHER
4PCS (D)



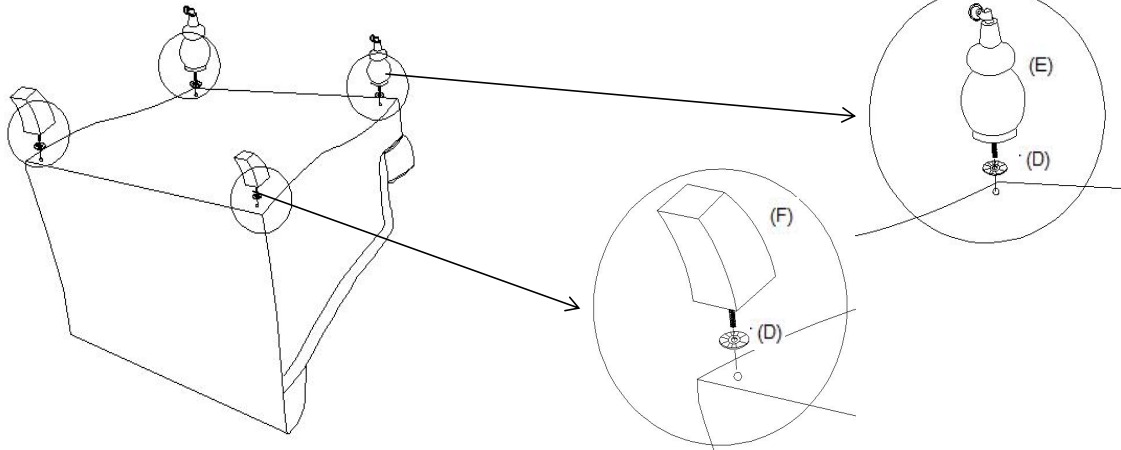
FRONT LEG
2PCS (E)



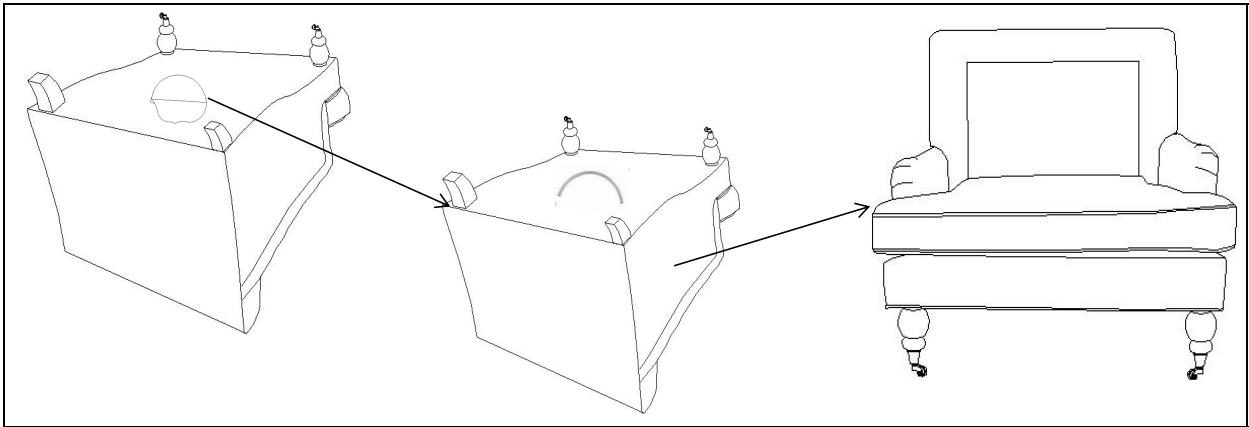
REAR LEG 2PCS (F)



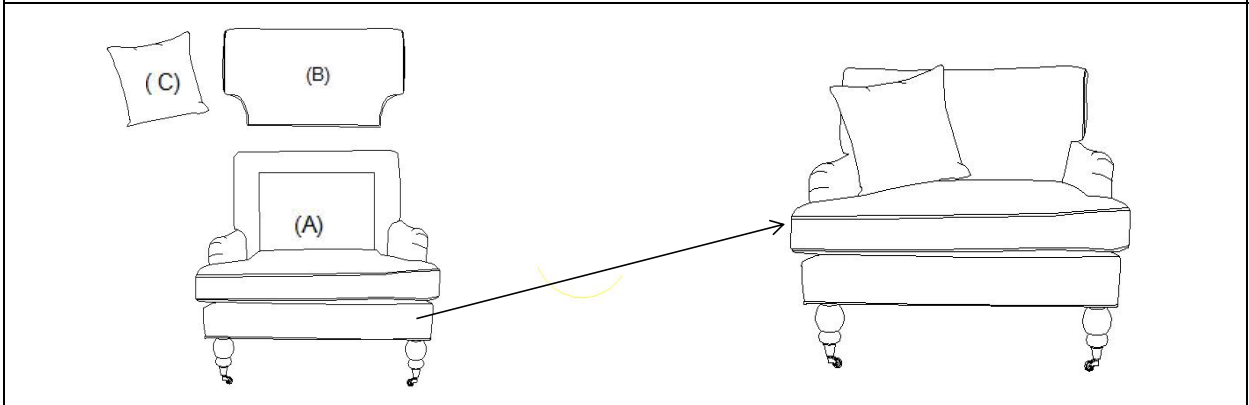
Step 1. Turn over the chair (A) and open the bottom cover as the picture shown, then take out the leg (E)&(F) from here .



Step 2. Install the Leg (E)&(F) to the chair (A) with the plastic washer (D) one by one .



Step 3. Zip on the bottom cover and turn over your chair as the picture shown.



Step 4. Put the back cushion (B) and pillow (C) into the chair (A) as the picture shown .