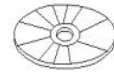
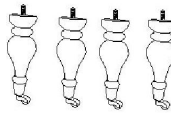
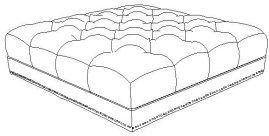
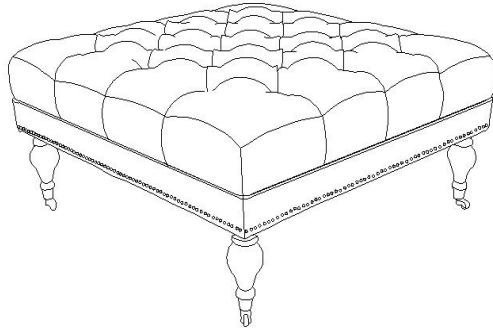


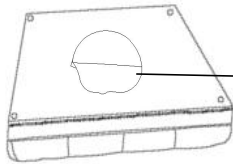
# Richmond Hill Ottoman Assembly Instruction



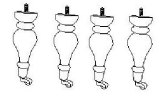
Ottoman 1pc (A)

Legs 4pcs (B)

Plastic washer (C) 4pcs

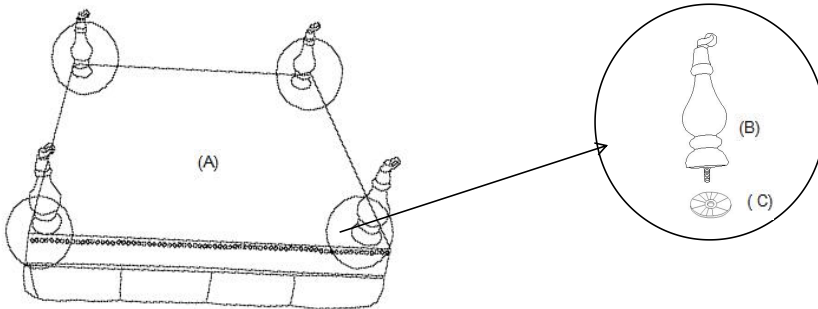


(A)

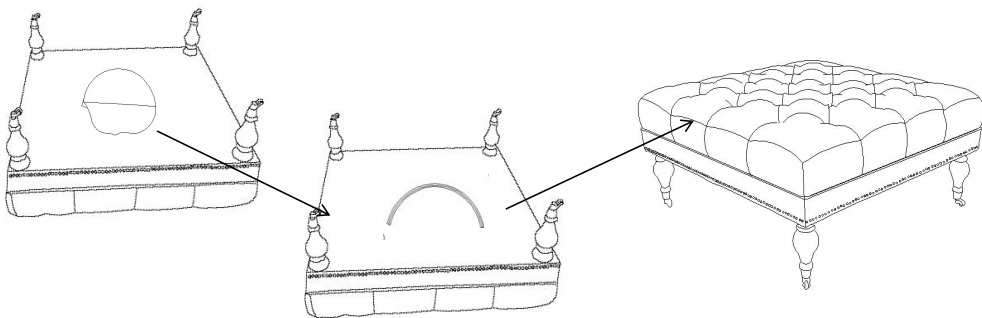


(B)

Step 1. Turn over the ottoman (A) and open the bottom cover as the picture shown, then take out the leg (B) from here .



Step 2. Install the Leg (B) to the Ottoman (A) with the Plastic washer (C) one by one as the picture shown .



Step 3. Zip on the bottom cover and turn over your ottoman as the picture shown.