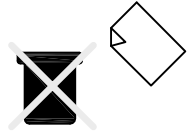


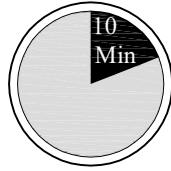
# HINTS & TIPS



# Assembly Instruction

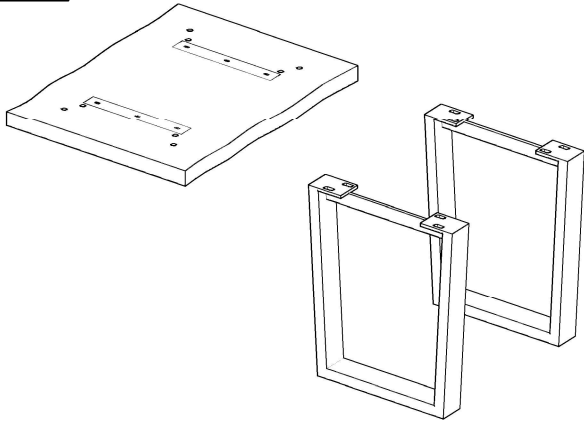


Please retain this assembly instruction for future use.



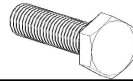
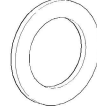
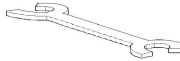
This assembly require one person.

## PARTS

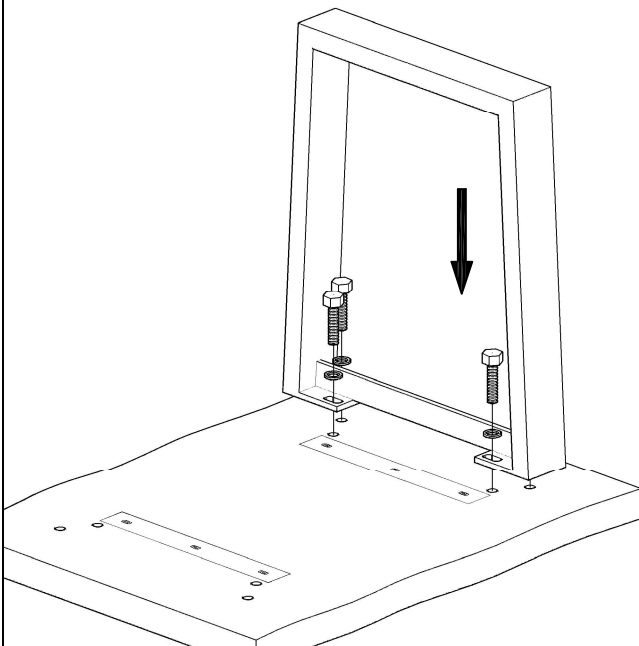


Legs

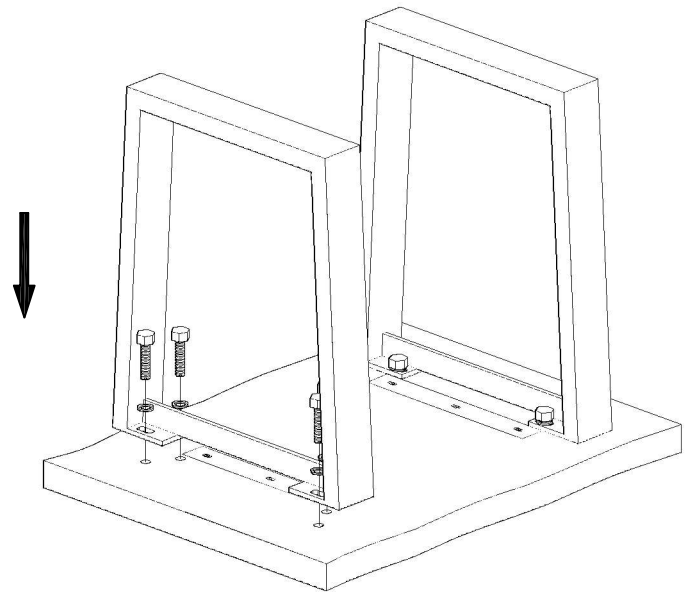
## Assembly Kit Contain:

Code	Description	Qty
A	 Bolt	08
B	 Washer	08
	 Wrench	01

### Step 1.



### Step 2.



### Step 3.

