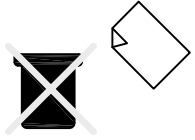


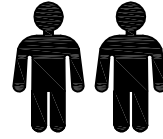
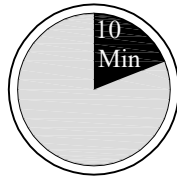
HINTS & TIPS



Assembly Instruction

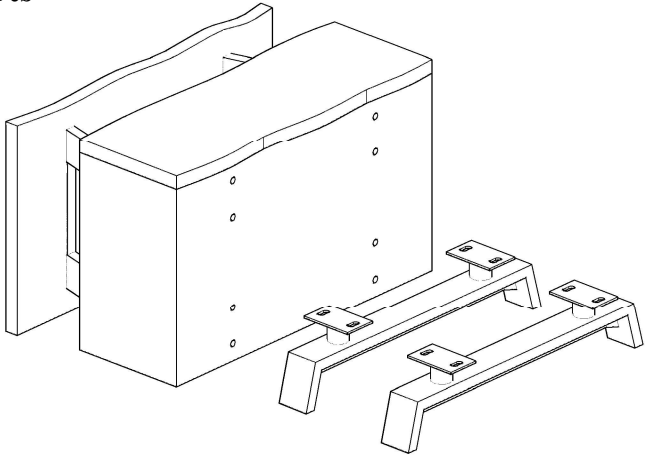



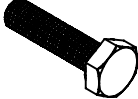

Please retain this assembly instruction for future use.



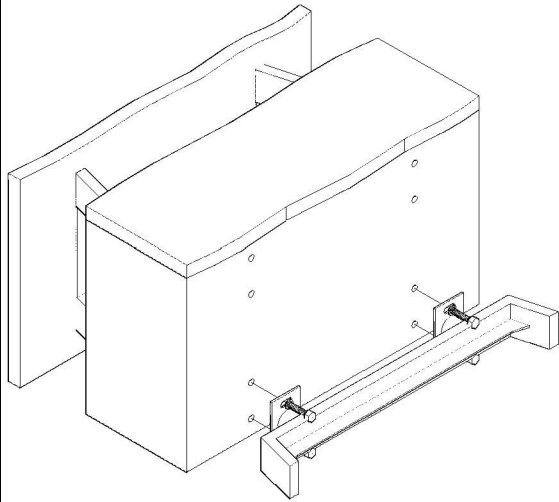
This assembly requires Two people

Parts

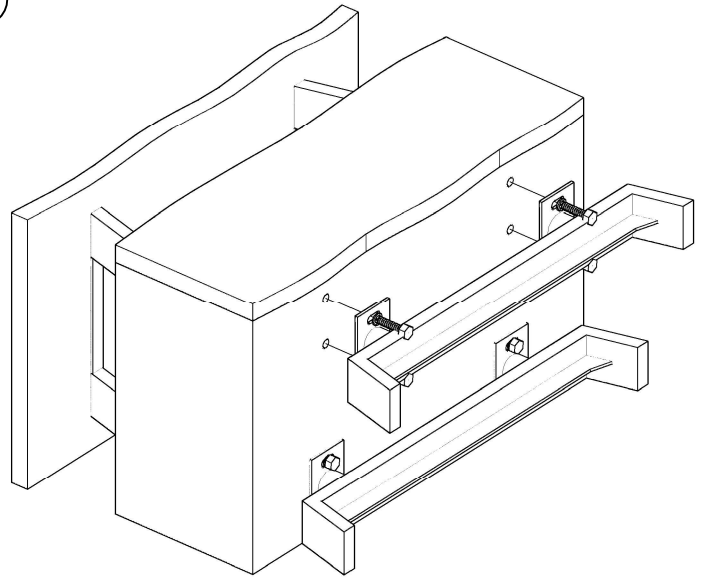


| Cqde | Description | Qty |
|------|---|-----|
| 1 |  Flat Washer | 08 |
| 2 |  Bolt | 08 |
| 3 |  Wrench | 01 |

1.



2.



3.

