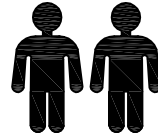
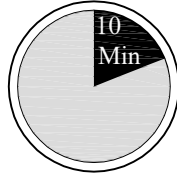
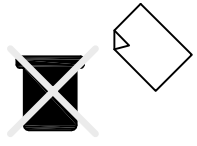


Assembly Instruction

HINTS & TIPS



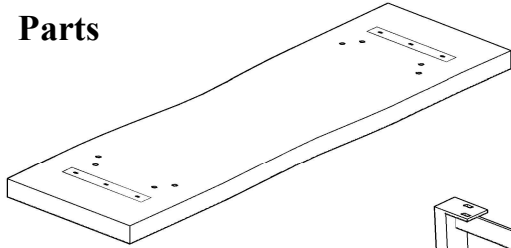
This assembly requires two people



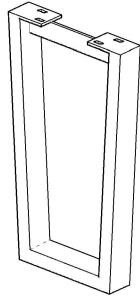
Please retain this assembly instruction for future use.

H:\Documents and Settings\ABC\Desktop\LOGO.jpg

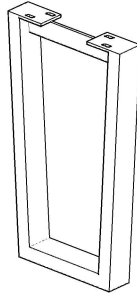
Parts


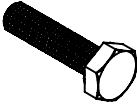
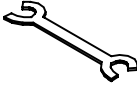


Top

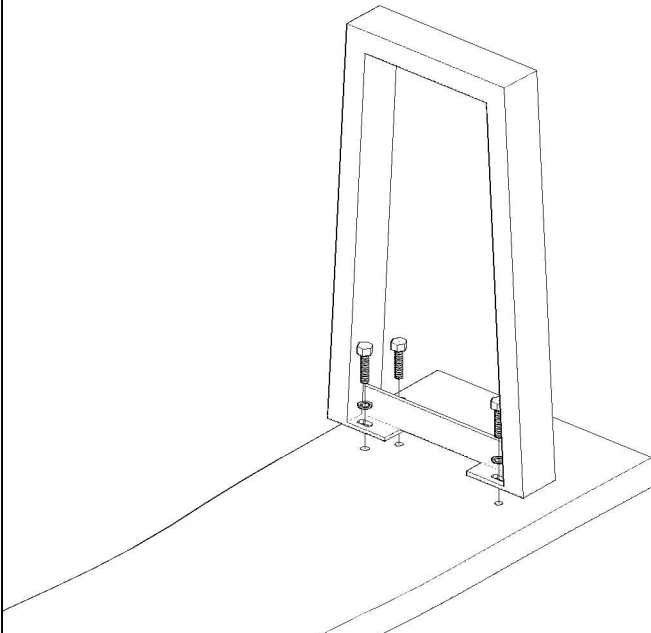


Base

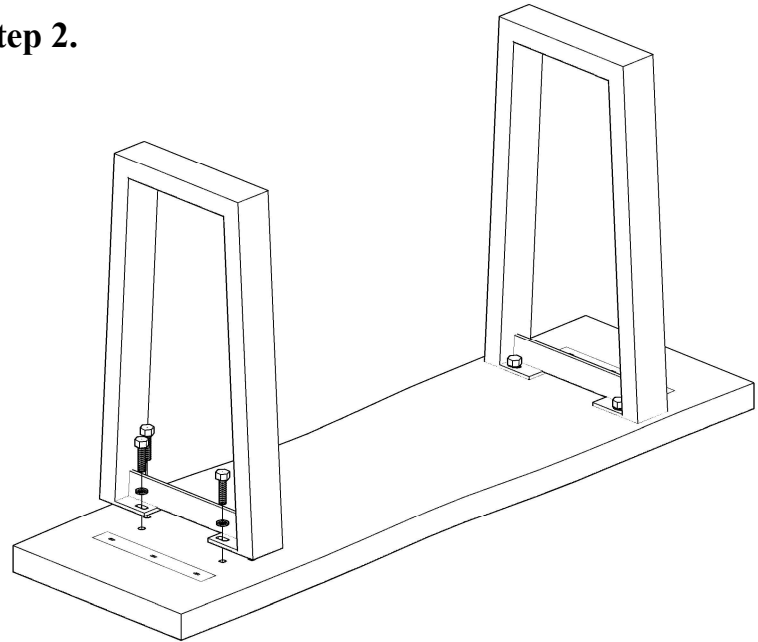


Code	Description	Qty
1	 Flat Washer	08
2	 Bolt	08
3	 Wrench	1

Step 1.



Step 2.



Step 3.

