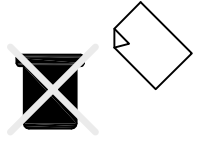
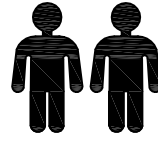
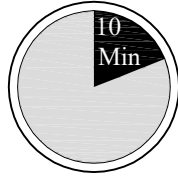


# Assembly Instruction

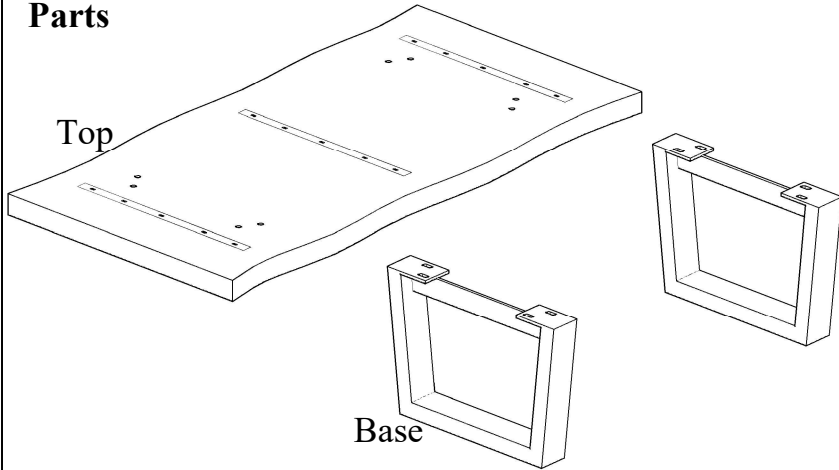
## HINTS & TIPS


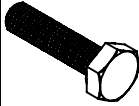
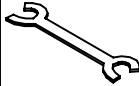


Please retain this assembly instruction for future use.

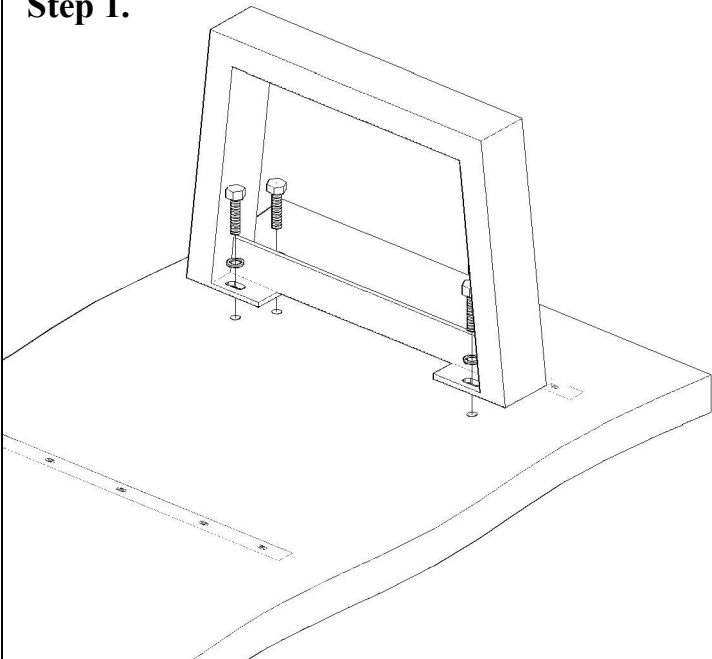
This assembly requires two people

### Parts

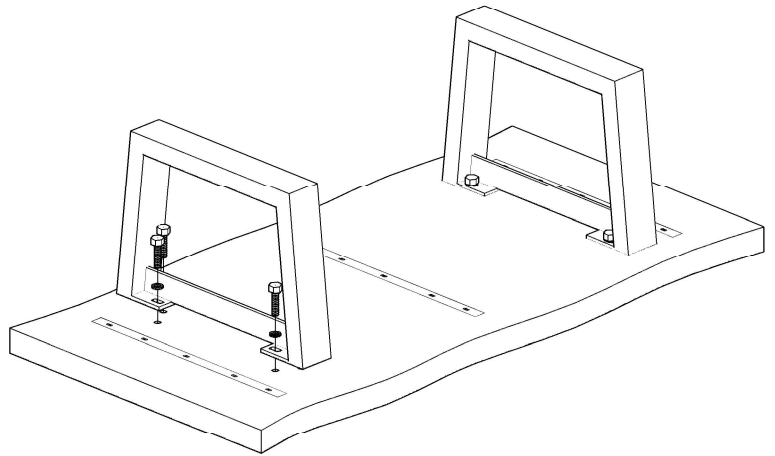


Code	Description	Qty
1	 Flat Washer	08
2	 Bolt	08
3	 Wrench	1

### Step 1.



### Step 2.



### Step 3.

