

# ASSEMBLY INSTRUCTION FOR PRODUCT CORE: 54003025



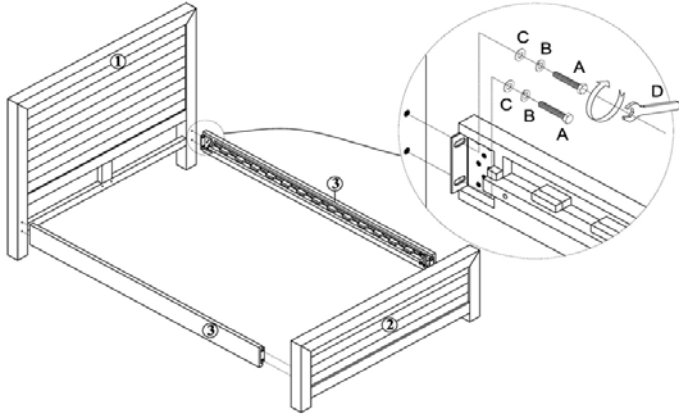
Please retain this assembly instruction for future use



This assembly requires two people

## BEFORE YOU START...

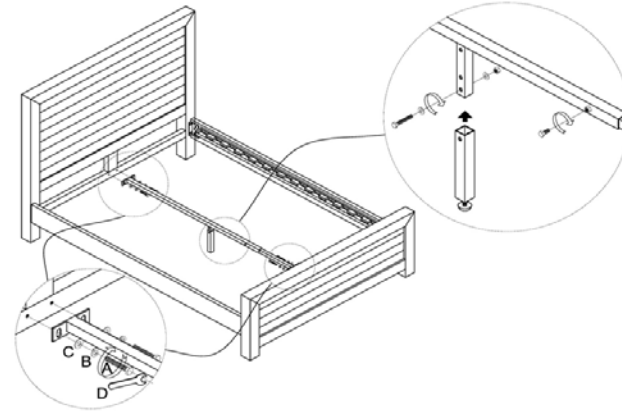
1. Choose a clean, level, spacious assembly area. Avoid hard surfaces that may damage the product.
2. Check and ensure that you have all required contents for complete assembly.
3. Always read the assembly instructions carefully before beginning assembly.
4. The packaging and contents can be a choking hazard, therefore keep out of reach of small children at all times.
5. Do not over tighten the bolts as this may damage the thread.



- Lay the straight the headboard (1) and the footboard (2), install two side using bolts (A), spring washers (B) and washers (C) by open wrench (D).

HARDWARE		QUANTITY
A	BOLT 0.39" x 1.57" Ø 10mm x 40mm	12
B	SPRING WASHER 0.39" x 0.59" x 0.10" Ø 10mm x 15mm x 2.6mm	12
C	WASHER 0.39" x 0.91" x 0.08" Ø 10mm x 23mm x 2.0mm	12
D	OPEN WRENCH K17	01
E	SCREW 0.16" x 1.18" Ø 4mm x 30mm	02

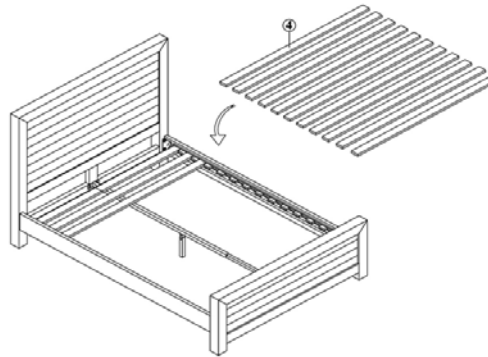
B



- Install the metal centre rails into the headboard and the footboard using bolts (A), spring washers (B), washers (C) and open wrench (D) then block metal centre rail by KD bolt.

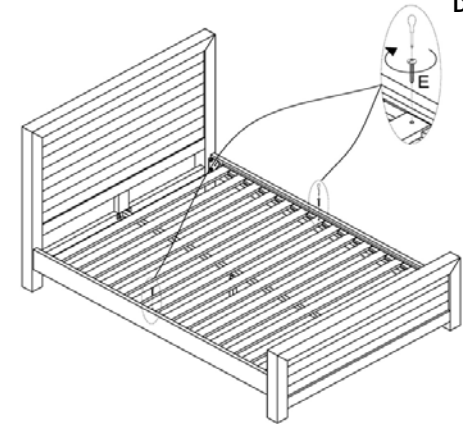
- Adjust the height of the center frame by using adjustable bolt.
- Tighten bolt after fixing 2 ends of the center rail.

C



- Install the slats correctly to the joint.

D



- Secure the middle slat by fastening Screw (E) with the Screwdriver through the predrilled holes at two end of the slat into the side rails.