



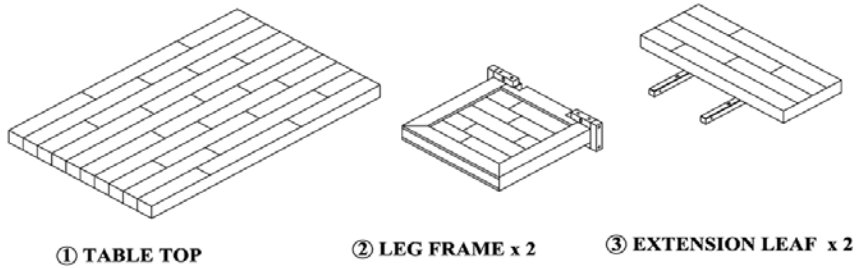
# ASSEMBLY INSTRUCTION FOR PRODUCT CODE: 51030219






 Please retain this assembly instruction for future use

 This assembly requires two people

## BEFORE YOU START...

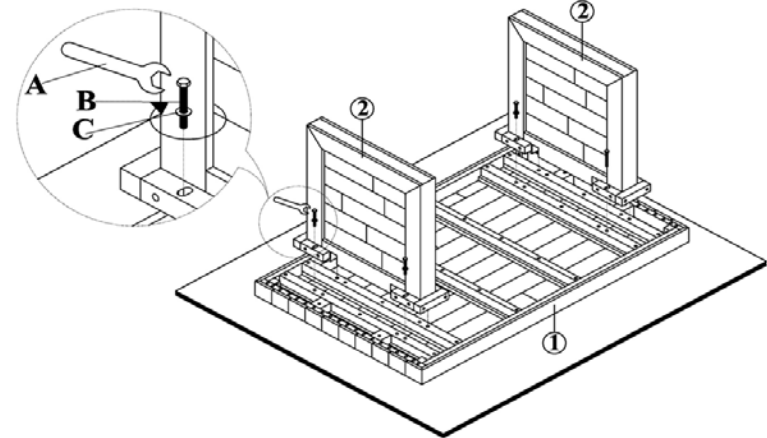
1. Choose a clean, level, spacious assembly area. Avoid hard surfaces that may damage the product.
2. Check and ensure that you have all required contents for complete assembly.
3. Always read the assembly instructions carefully before beginning assembly.
4. The packaging and contents can be a choking hazard, therefore keep out of reach of small children at all times.
5. Do not over tighten the bolts as this may damage the thread.



HARDWARE			QUANTITY
A	OPEN WRENCH K17		01
B	BOLT 0.39" x 3.15" Ø 10mm x 80mm		08
C	WASHER 0.39" x 0.91" x 0.08" Ø 10mm x 23mm x 2mm		08
D	BOLT 0.31" x 2.56" Ø 8mm x 65mm		04
E	WASHER 0.31" x 0.75" x 0.08" Ø 8mm x 19mm x 2mm		04

A

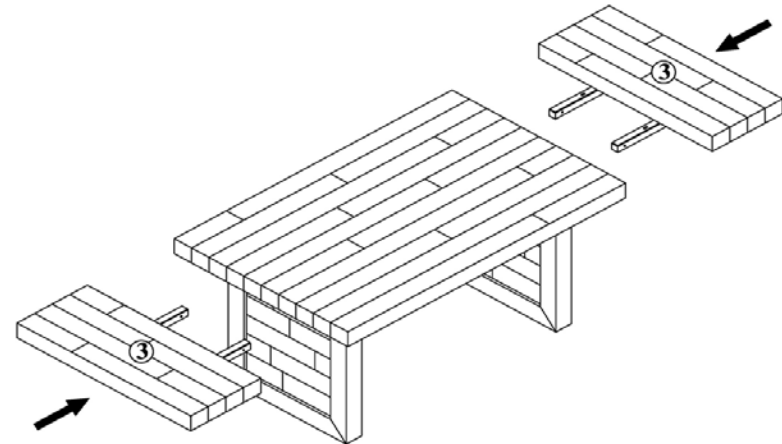
B



- Lay table top on carpet or large blanket to protect the top.

- Assemble left and right leg ends (2) into table top (1) (as pictured). Tighten all bolts (B) and washers (C) by using open wrench (A).

C



- Assemble left and right leaf into table (as pictured).

# ASSEMBLY INSTRUCTION FOR PRODUCT CODE: 51030219

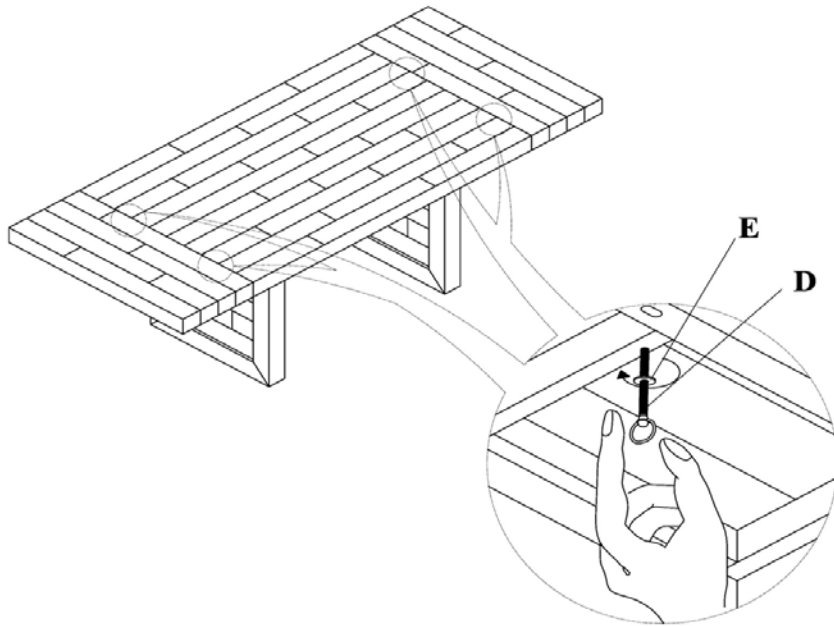


Please retain this assembly instruction for future use



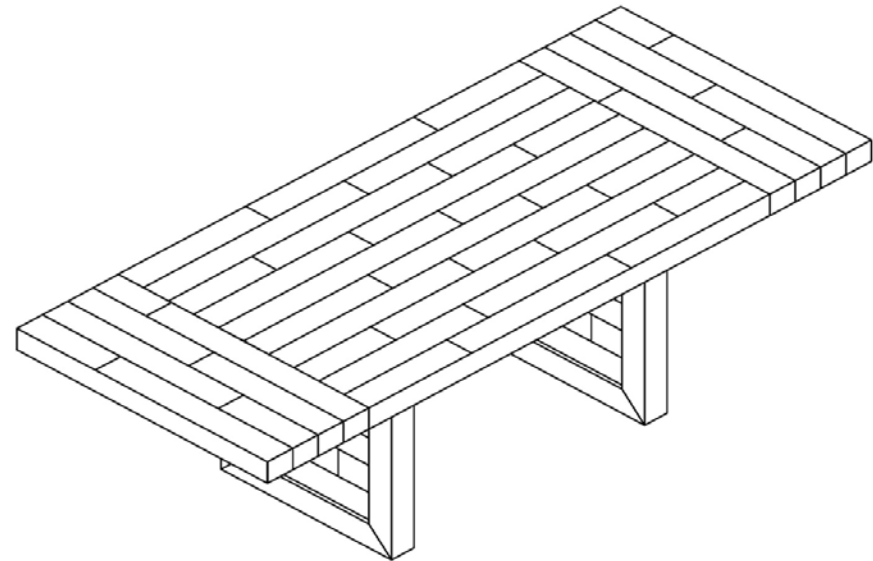
This assembly requires two people

D



- Lift the leaf up one at a time and hold it before tightening the bolt with adjustable eye bolt.
- Tighten bolts(D) and washers (E) by hand (do not use power tools).

E



- Complete item.