



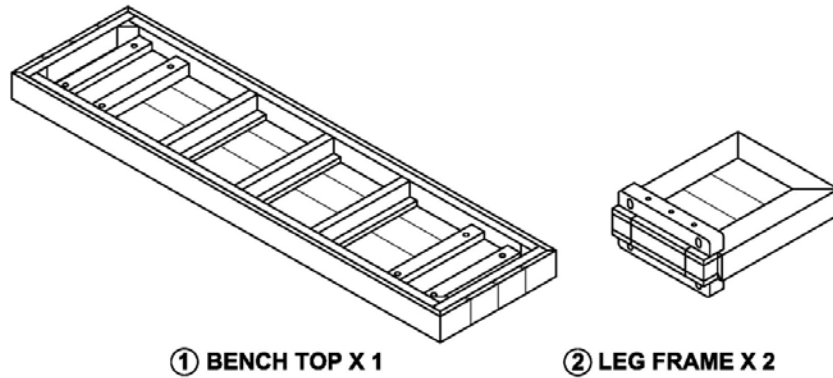
# ASSEMBLY INSTRUCTION FOR PRODUCT CODE: 53003795




 Please retain this assembly instruction for future use

 This assembly requires two people

## BEFORE YOU START...

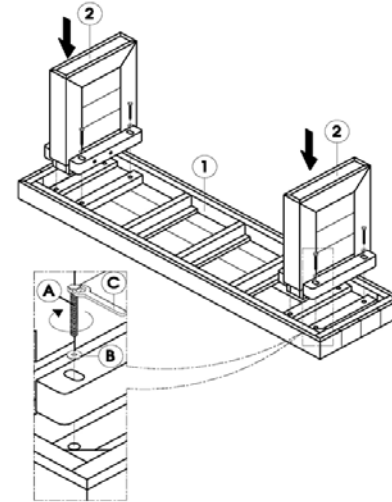
1. Choose a clean, level, spacious assembly area. Avoid hard surfaces that may damage the product.
2. Check and ensure that you have all required contents for complete assembly.
3. Always read the assembly instructions carefully before beginning assembly.
4. The packaging and contents can be a choking hazard, therefore keep out of reach of small children at all times.
5. Do not over tighten the bolts as this may damage the thread.



HARDWARE			QUANTITY
A	BOLT 0.39" x 2.36" Ø 10mm x 60mm		08
B	WASHER 0.39" x 0.91" x 0.08" Ø 10mm x 23mm x 2mm		08
C	OPEN WRENCH K17		01

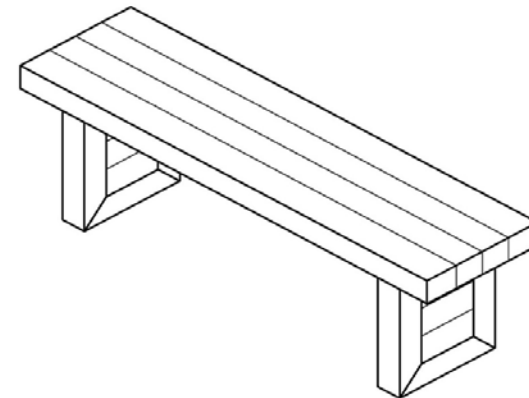
A

B



- Lay bench top on carpet or large blanket to protect the top.
- Assemble the left and right leg ends (2) into the table top (1) as picture. Tighten all bolts (A) and washers (B) by using open wrench (C).

C



- Carefully turn bench over and stand on its legs. Re-tighten all bolts.