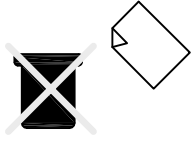


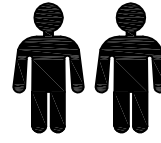
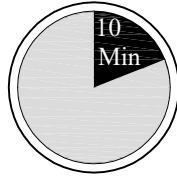
HINTS & TIPS



Assembly Instruction



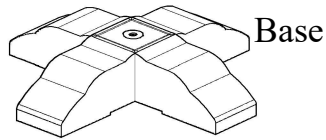
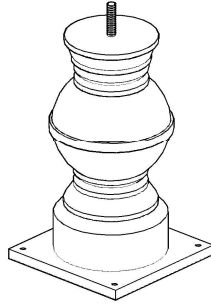
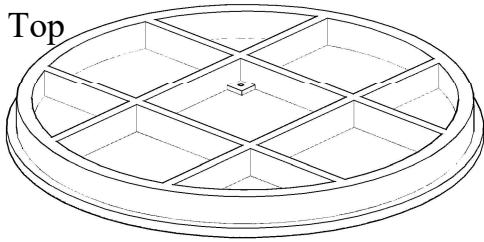
Please retain this assembly instruction for future use.

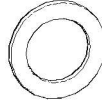




This assembly requires Two people

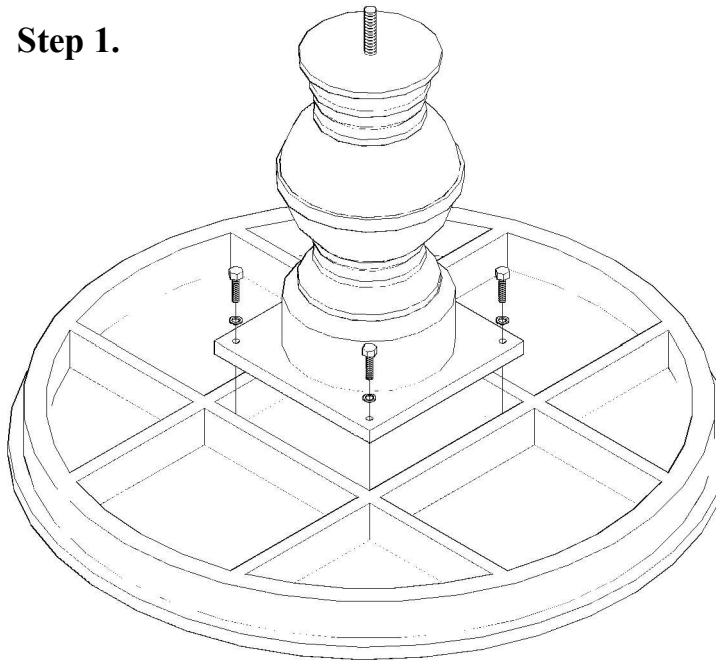
Parts

Top

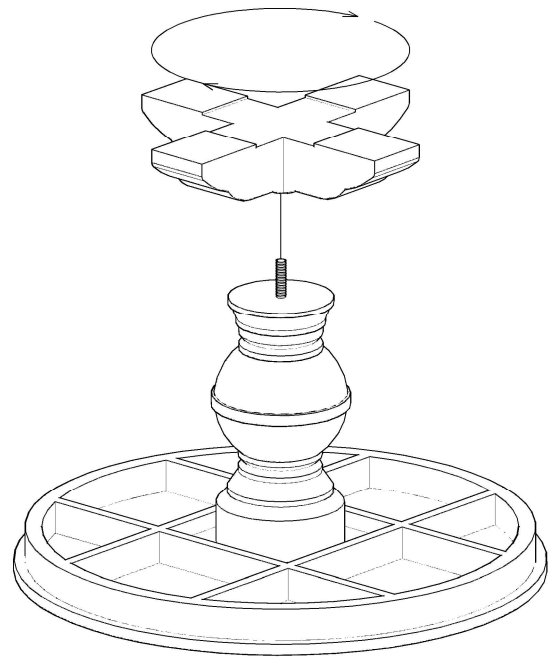


Code	Description	Qty
1	 Flat Washer	04
2	 Bolt	04
3		01

Step 1.



Step 2.



Step 3.

