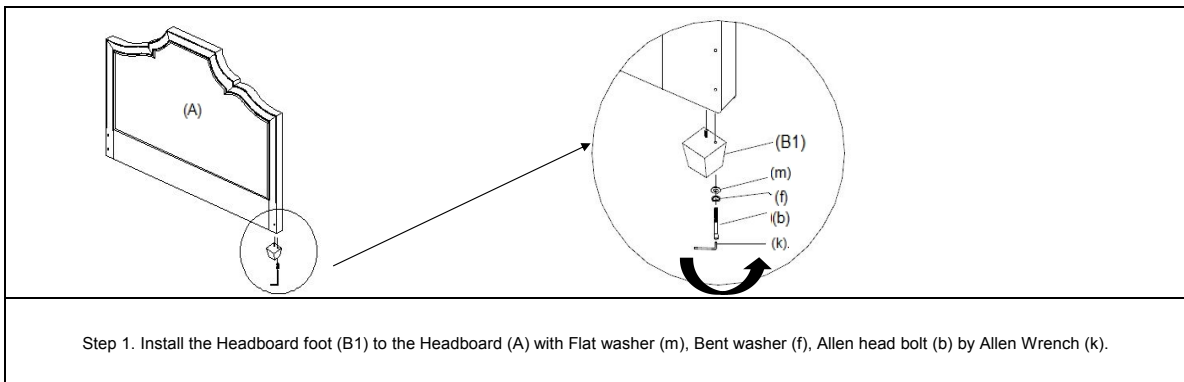


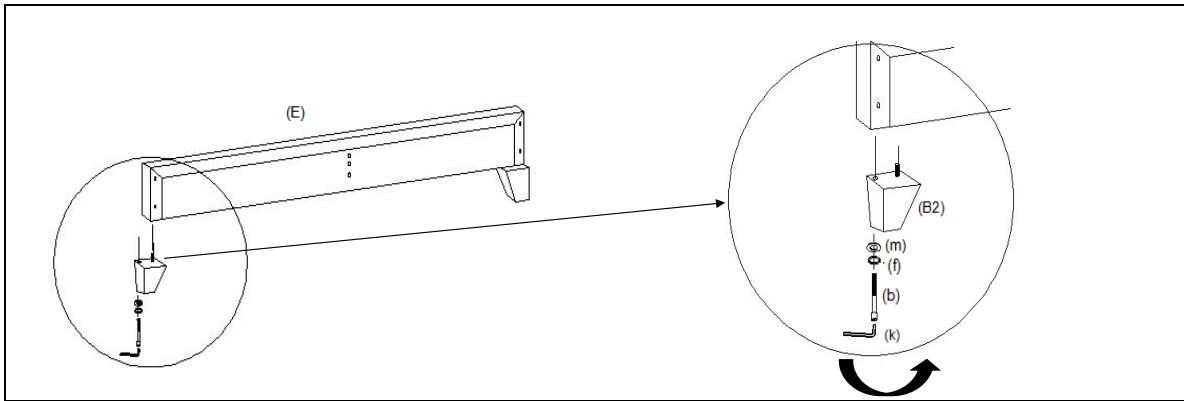
Monterey Upholstered Bed Assembly Instruction



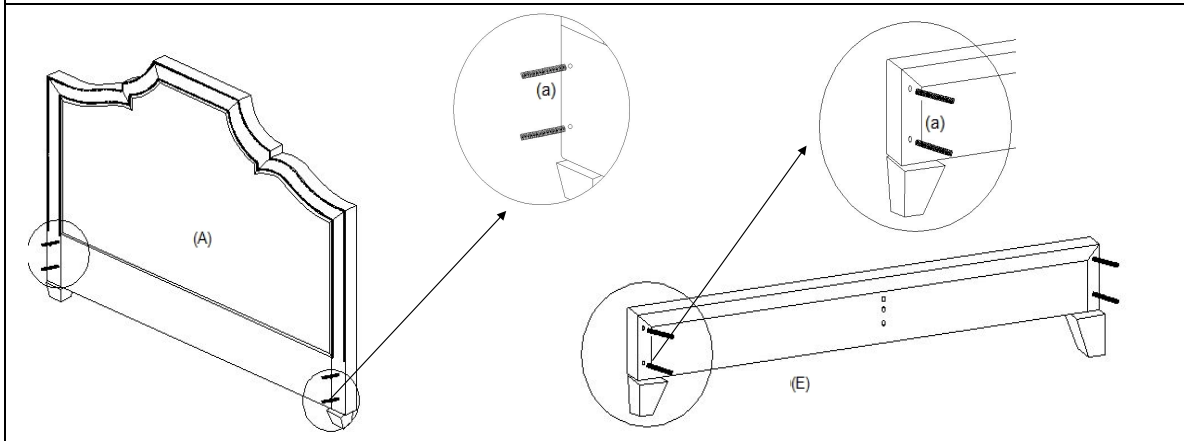
• Have 2 adults on hand for assembly

Headboard (A) 1PC	Right Foot 1pc	Left Foot 1pc	Right Foot 1pc	Left Foot 1pc	size:Ø40*160mm	size:Ø40*125mm
	Headboard foot (B1)		Footboard foot (B2)		Middle leg I (C1) 2pcs	Middle leg II (C2) 2pcs
Side rail (D) 2pcs	Footboard (E) 1pc	Slat (F) 1pc		Middle leg rail (G) 1pc		
size:M8*90mm	sizes:M8*90mm	size:M8*30mm	size:M8*50mm	size:Ø 22mm		
Threaded bolt (a) 8pcs	Allen head bolt (b) 4pcs	Inner hexagon screw (c) 4pcs	Inner hexagon screw (d) 2pcs	Flat washer (e) 14pcs		
size:Ø6mm	size:Ø14mm	size:Ø18mm	size:Ø5mm	Ø:5mm		
Bent washer (f) 18pcs	Nut (g) 10pcs	Plastic washer (h) 2pcs	Angle iron (i) 2pc	Allen wrench (j) 1pc		
size:Ø6mm	size:Ø14mm	size:Ø 18mm				
Allen wrench (k) 2pc	Wrench (l) 1pc	Flat washer (m) 4pcs				



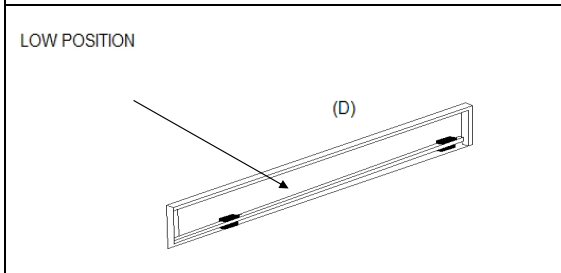


Step 2. Install the Footboard foot (B2) to the Footboard (E) with Flat Washer (m), Bent washer (f), Allen head bolt (b) by Allen Wrench (k).

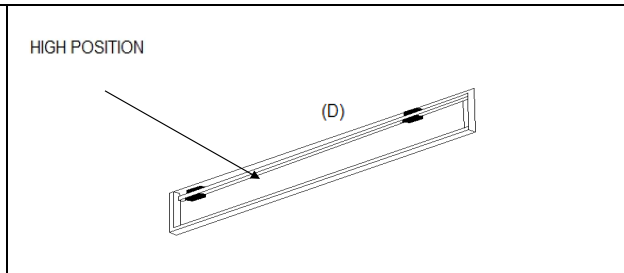


Step 3. Screw in the Threaded bolt (a) to the Headboard (A) and Footboard (E), and tighten the threaded bolts by hand.

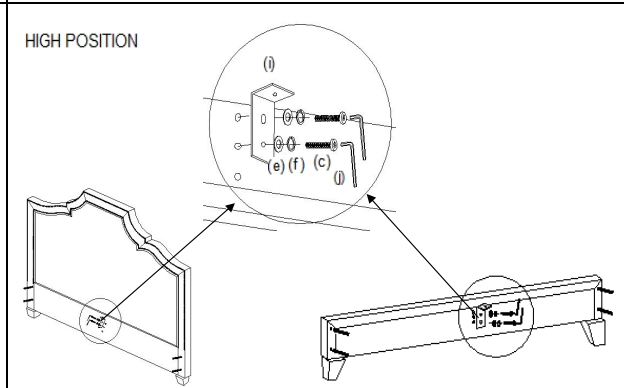
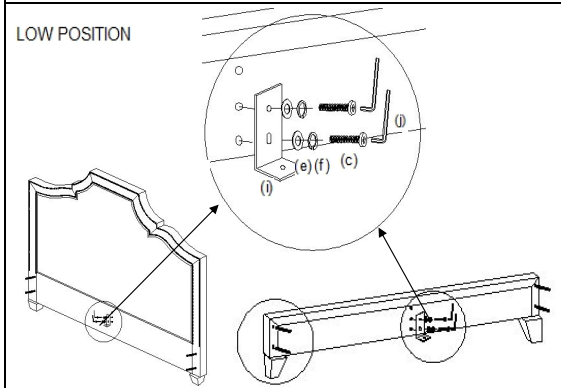
Please determine your mattress height



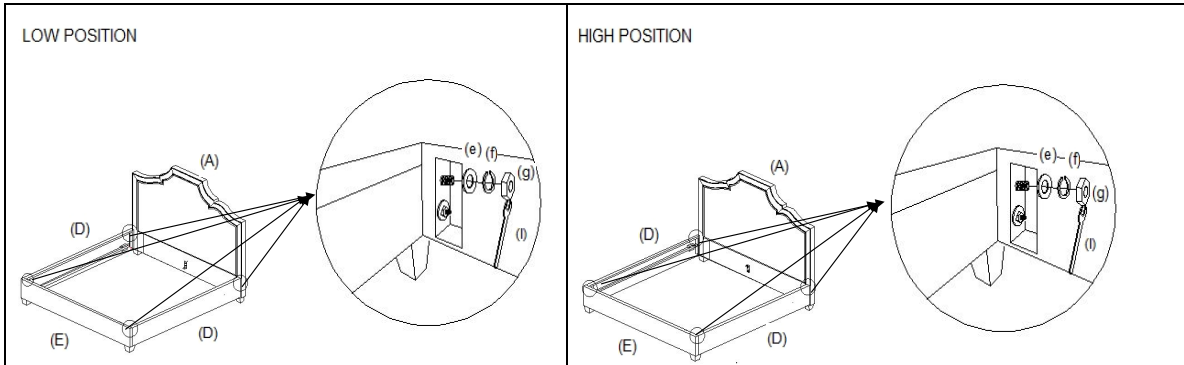
Step 4. Use this position for Mattress and Box Springs



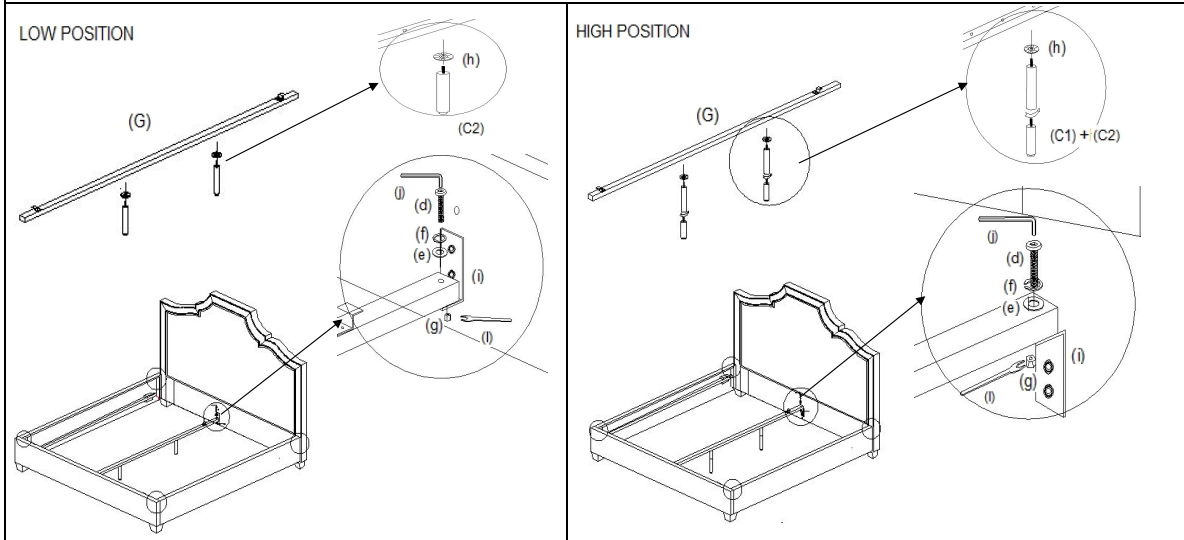
Step 4. Use this position for Mattress Only



Step 5. Install the Angle iron (i) to the headboard and footboard with Inner hexagon screw (c), Bent washer (f), Flat washer (e) by Allen wrench (j), make sure it is in the right position and direction as shown in the picture and tighten the screws.

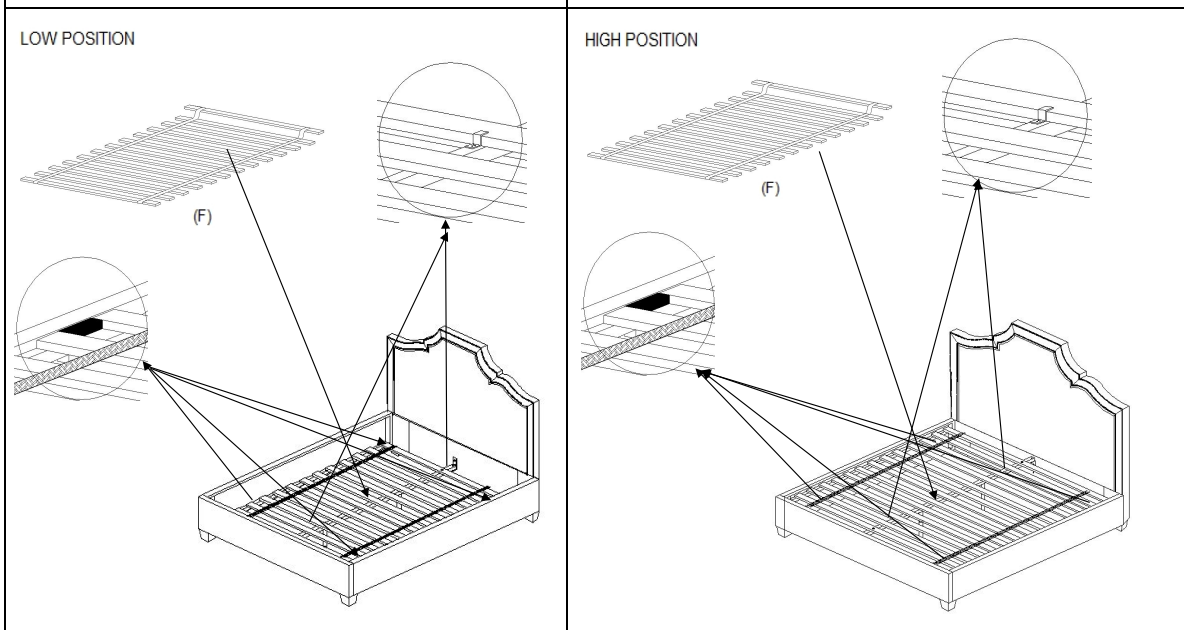


Step 6. Install the Side rail (D) into Headboard (A) then Footboard (E) with Nut (g), Bent washer (f) and Flat washer (e), use Wrench (l) to tighten the nut.



Step 7. Screw in the Middle leg II (C2) into Middle leg rail (G) with plastic washer (h), then install the Middle leg rail into Angle iron (i) with Inner hexagon screw (d), Bent washer (f), Flat washer (e) by Allen wrench (j), then use the Wrench (l) to tighten the Nut (g) and Inner hexagon screw (d). There is an adjuster under the Middle leg, you may need to adjust it a little bit to touch the floor.

Step 7. Connect Middle leg II (C2) with Middle leg I (C1) and screw it into Middle leg rail (G) with plastic washer (h), then install the Middle leg rail into Angle iron (i) with Inner hexagon screw (d), Bent washer (f), Flat washer (e) by Allen wrench (j), then use the Wrench (l) to tighten the Nut (g) and Inner hexagon screw (d). There is an adjuster under the Middle leg, you may need to adjust it a little bit to touch the floor.



Step 8. Put the SLAT (F) on the rails, lock it as shown and make it parallel.

CAUTION: Do not attempt to move the bed when fully assembled. This could result in damage to the rails, headboard, or footboard.