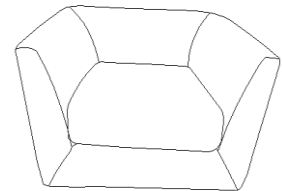
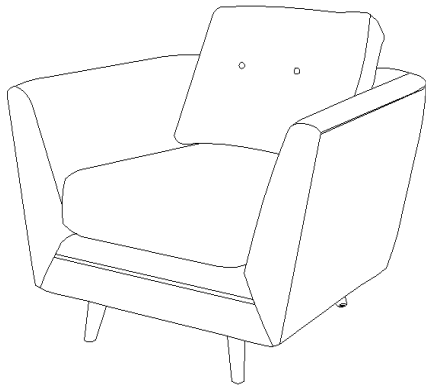
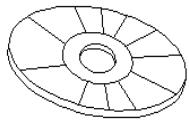


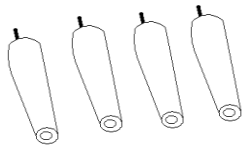
# Malmo Accent Chair Assembly Instruction



Chair 1pc (A)



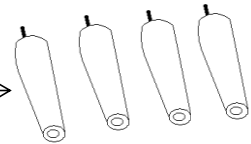
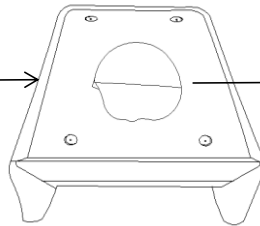
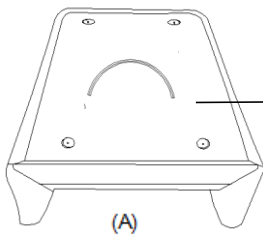
Plastic washer 4PCS  
(a)



Legs 4PCS (B)

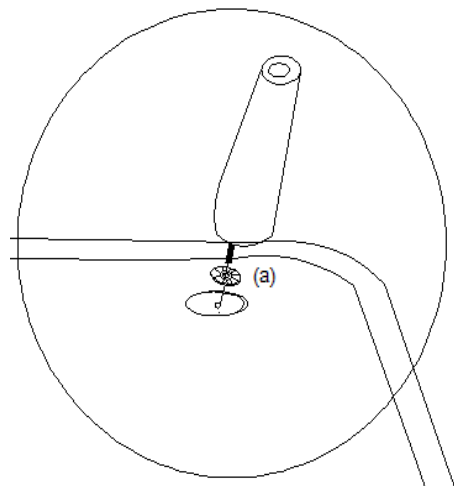
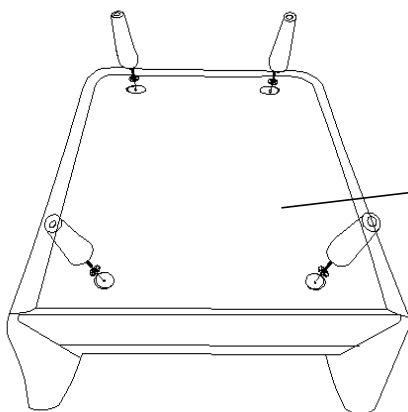


Back Cushion (c)

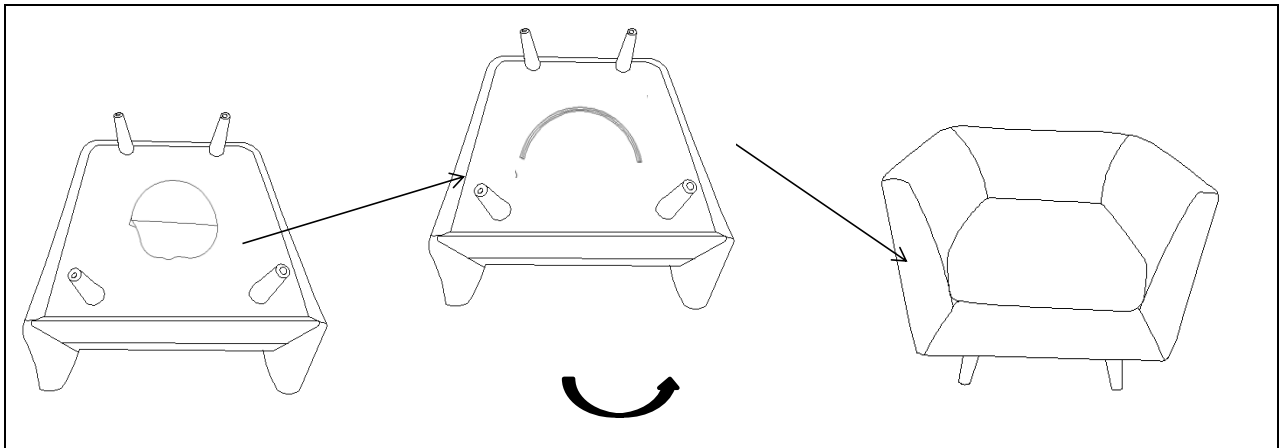


(B)

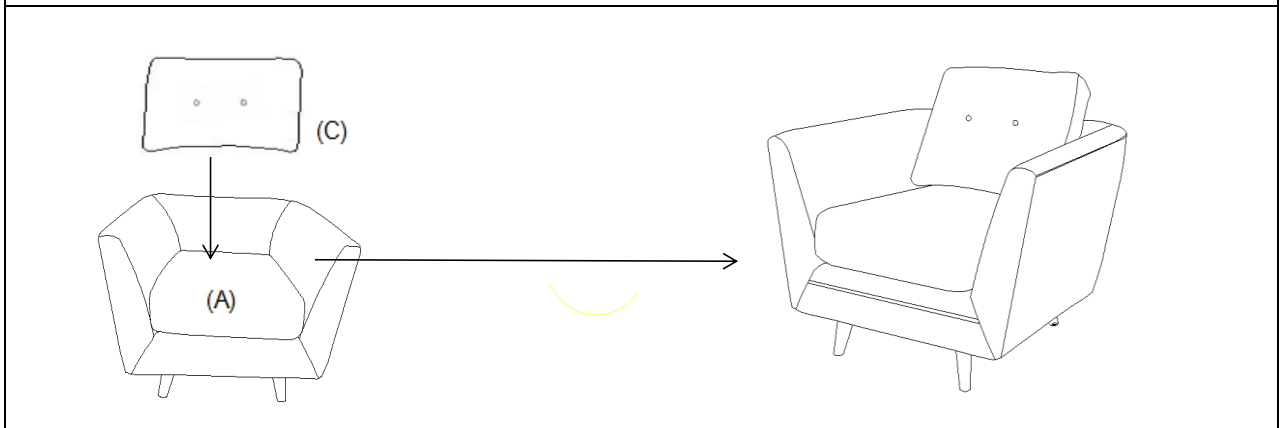
Step 1. Turn over the chair and open the bottom cover as the picture shown, then take out the leg (B) from here .



Step 2. Install the Leg (B) to the Chair (A) with Plastic washer (a) one by one .



Step 3. Zip on the bottom cover and turn over your chair as the picture shown.



Step 4. Put the Back cushion (C) into the chair (A) as the picture shown .