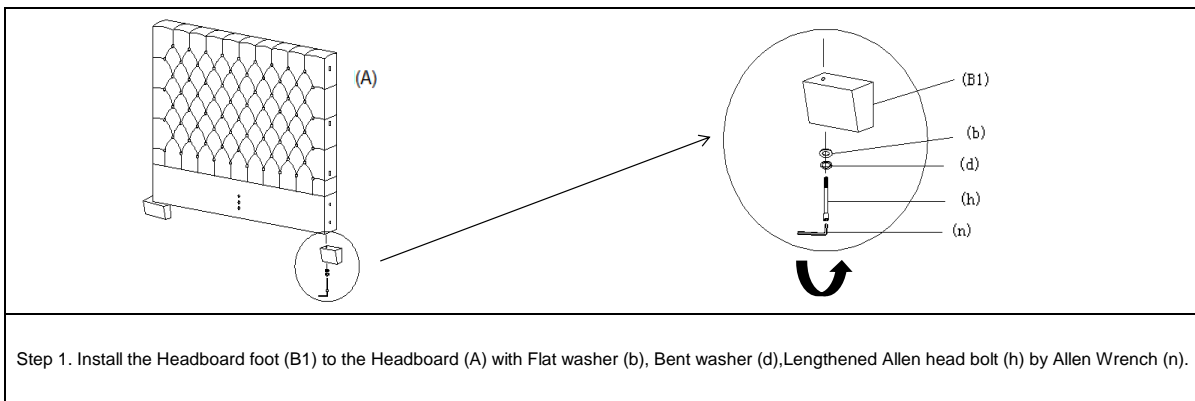


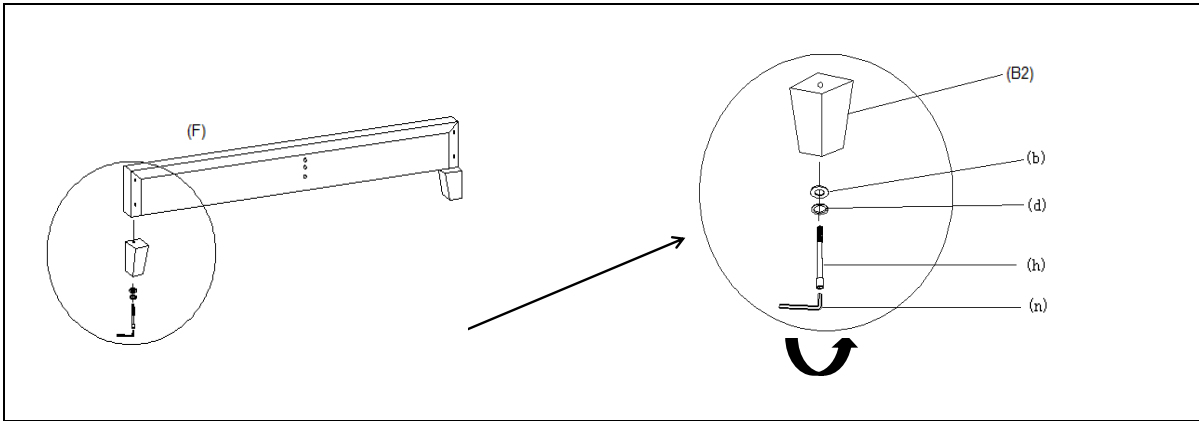
# La Jolla Upholstered Bed Assembly Instruction



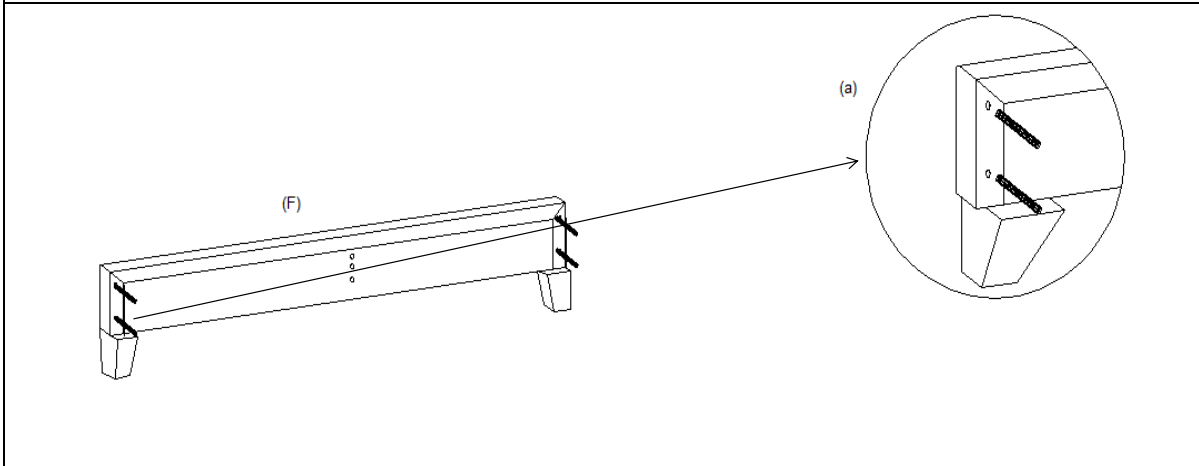
• Have 2 adults on hand for assembly

Headboard (A) 1PC	Right Foot 1pc Left Foot 1pc	Right Foot 1pc Left Foot 1pc	size:Ø40*165mm	size:Ø40*165mm
	Headboard foot (B1)	Footboard foot (B2)	Middle leg I (C1) 2pcs	Middle leg II (C2) 2pcs
Wing (D) 2pcs	Side rail (E) 2pcs	Footboard (F) 1pc	Slat (G) 1 set	Middle leg rail (H) 1pc
size:M8*90mm	size:Ø 18mm	sizes:Ø 22mm		
Threaded bolt (a) 4pcs	Flat washer (b) 4pcs	Flat washer (c) 20pcs	Bent washer (d) 24pcs	Nut (e) 6pcs
size:M8*30mm	size:M8*50mm	size:M8*120mm	size:M8*50mm	
Inner hexagon screw (f) 4pcs	Inner hexagon screw (g) 2pcs	Lengthened Allen head bolt (h) 4pcs	Allen head bolt (i) 10pcs	Angle iron (j) 2pcs
Plastic washer (k) 2pcs	Wrench (l) 1pc	Allen wrench (m) 1pc	Allen wrench (n) 1pc	



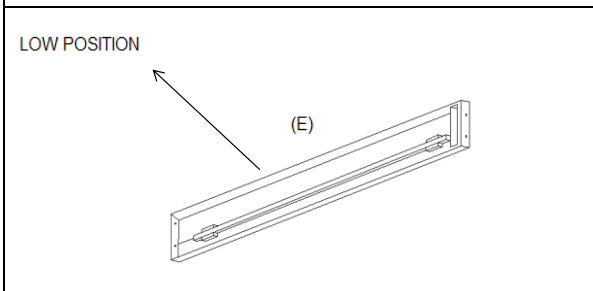


Step 2. Install the Footboard foot (B2) to the Footboard (F) with Flat Washer (b), Bent washer (d), Lengthened Allen head bolt (h) by Allen Wrench (n).

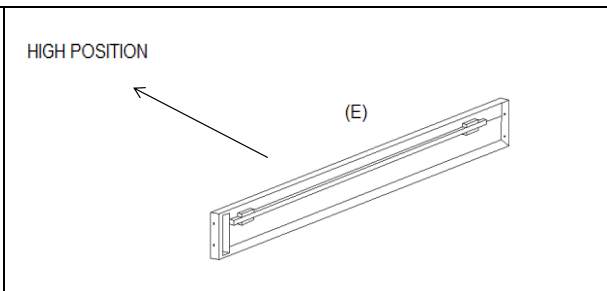


Step 3. Screw in the Threaded bolt (a) to the Footboard (F), and tighten the threaded bolts by hand.

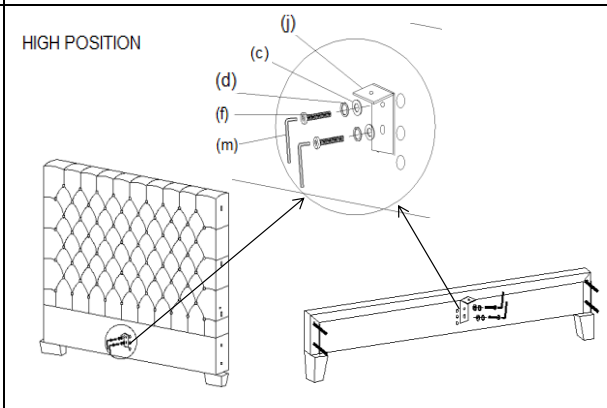
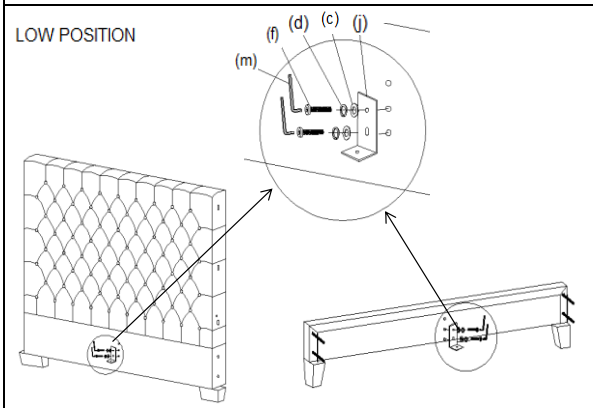
**Please determine your mattress height**



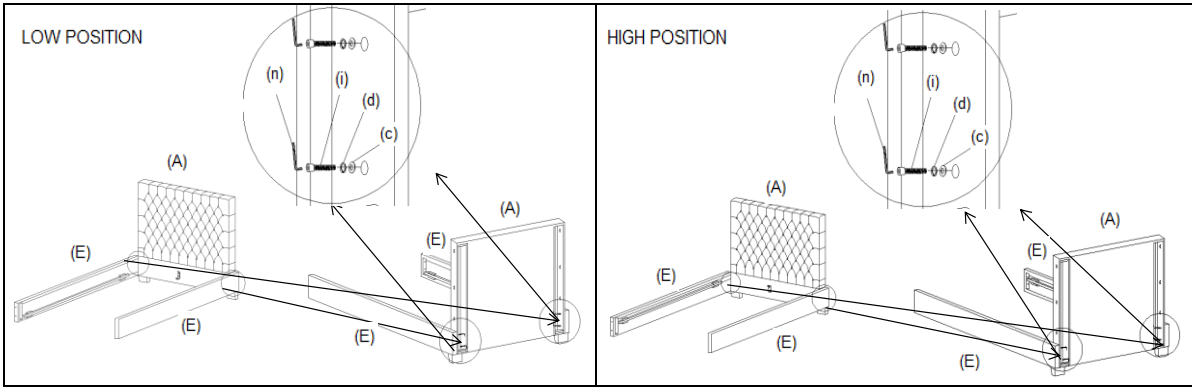
Step 4. Use this position for Mattress and Box Springs



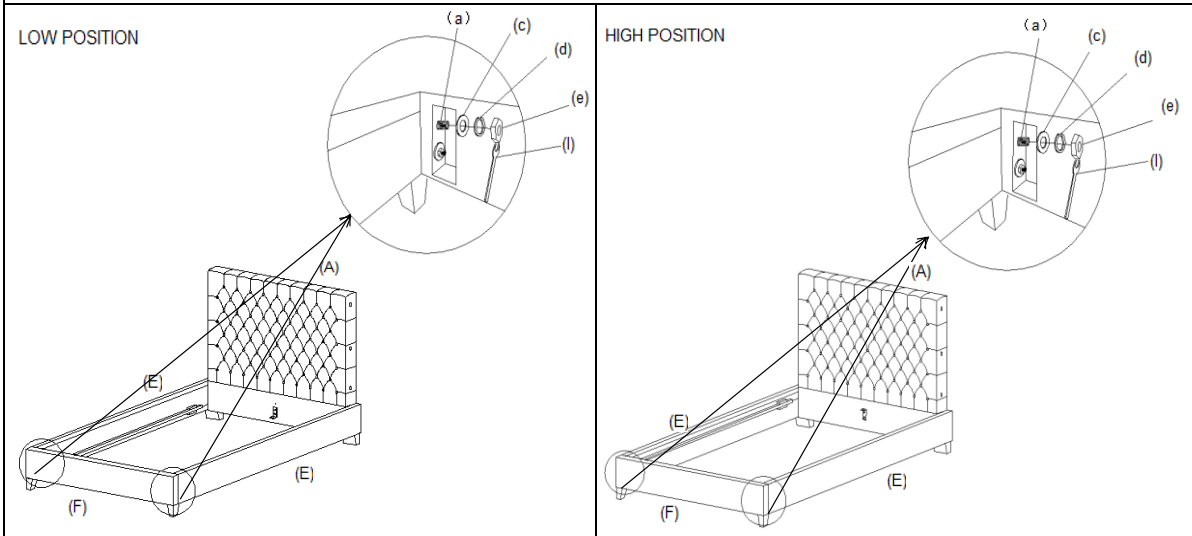
Step 4. Use this position for Mattress Only



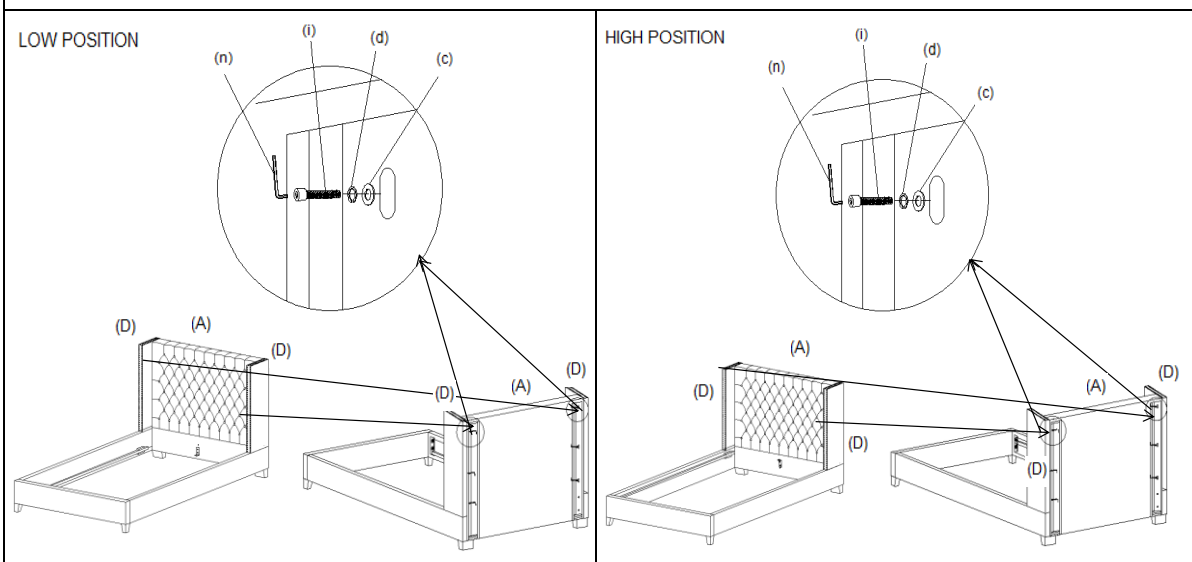
Step 5. Install the Angle iron (j) to the headboard and footboard with Inner hexagon screw (f), Bent washer (d), Flat washer (c), by Allen wrench (m), make sure it is in the right position and direction as shown in the picture and tighten the screws.



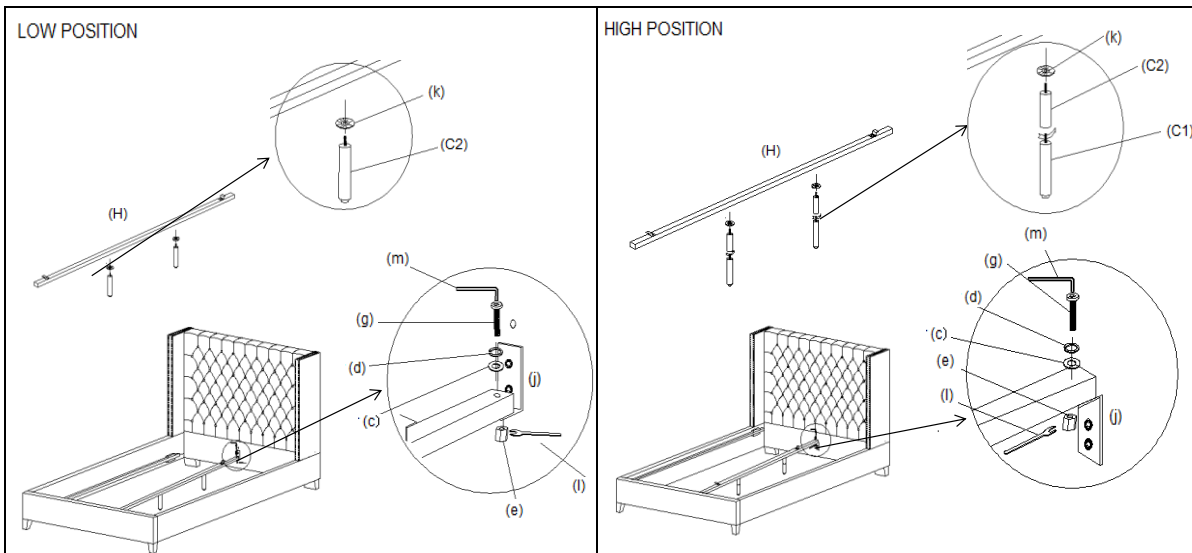
Step 6. Unveil the dust cover on the back side of the headboard, and install the Side rail (E) into Headboard (A) with Allen head bolt (i), Bent washer (d), Flat washer (c) by Allen wrench (n).



Step 7. Install the Footboard (F) into the Side rail (E) with Nut (e), Bent washer (d) and Flat washer (c), use Wrench (l) to tighten the nut.

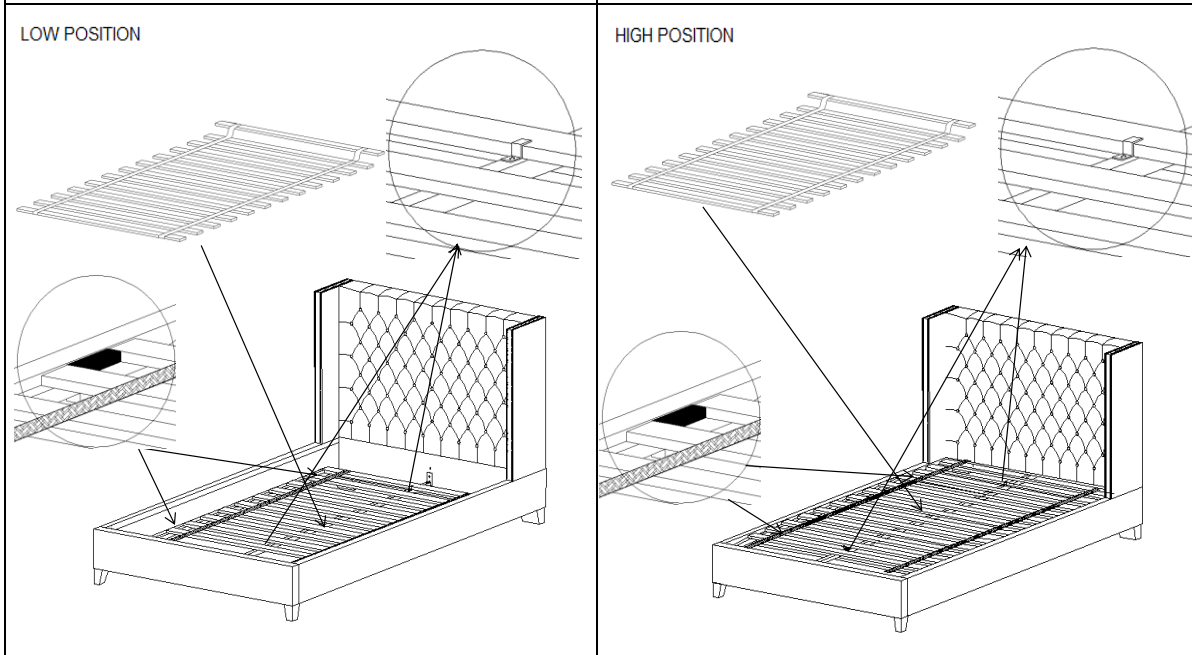


Step 8. Install the Wing (D) into Headboard (A) with Allen head bolt (i), Bent washer (d), Flat washer (c) by Allen wrench (n). then veil the dust cover.



Step 9. Screw in the Middle leg II (C2) into Middle leg rail (H) with plastic washer (k), then install the Middle leg rail into Angle iron (j) with Inner hexagon screw (g), Bent washer (d), Flat washer (c) by Allen wrench (m), then, use the Wrench (l) to tighten the Nut (e) and Inner hexagon screw (g). There is an adjuster under the Middle leg, you may need to adjust it a little bit to touch the floor.

Step 9. Connect Middle leg II (C2) with Middle leg I (C1) and screw it into Middle leg rail (H) with plastic washer (k), then install the Middle leg rail into Angle iron (j) with Inner hexagon screw (g), Bent washer (d), Flat washer (c) by Allen wrench (m), then, use the Wrench (l) to tighten the Nut (e) and Inner hexagon screw (g). There is an adjuster under the Middle leg, you may need to adjust it a little bit to touch the floor.



Step 10. Put the SLAT (G) on the rails, lock it as shown and make it parallel.

**CAUTION: Do not attempt to move the bed when fully assembled. This could result in damage to the rails, headboard, or footboard.**