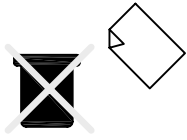


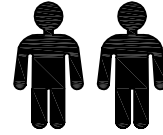
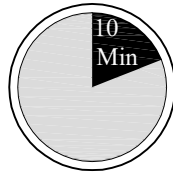
# HINTS & TIPS



## Assembly Instruction

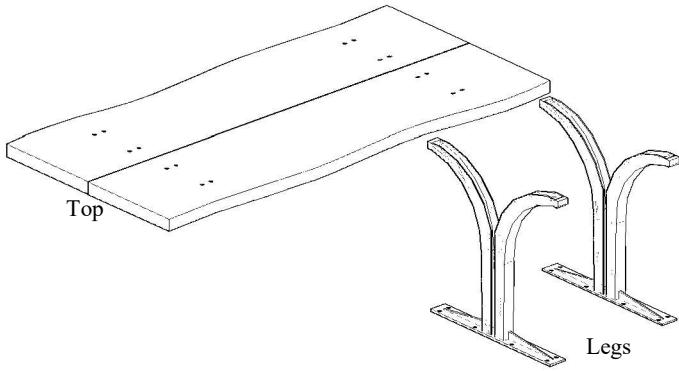



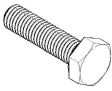
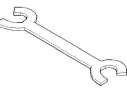
Please retain this assembly instruction for future use.



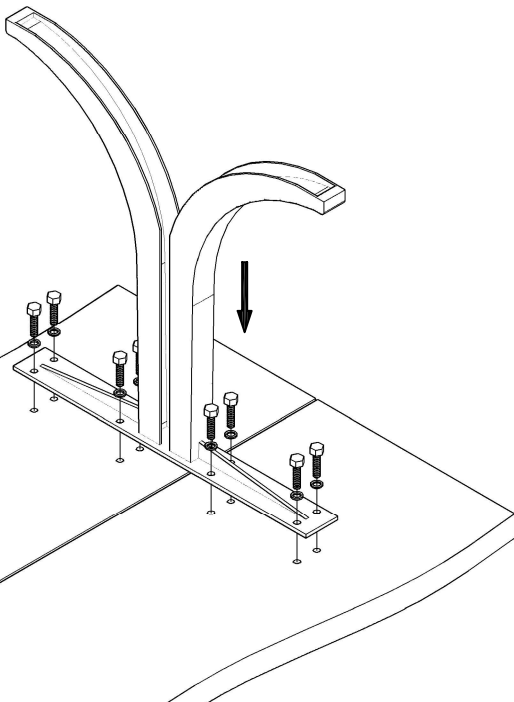
This assembly requires two people

### Parts

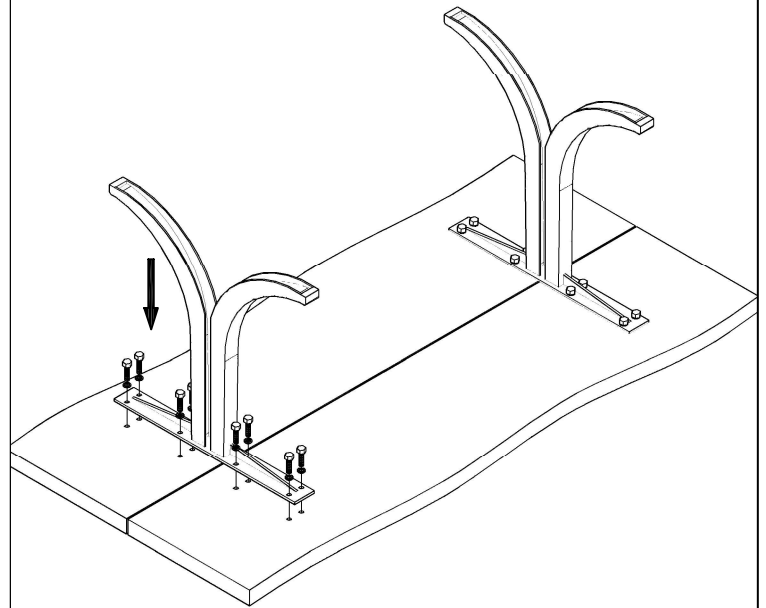


| Code | Description                                                                                     | Qty |
|------|-------------------------------------------------------------------------------------------------|-----|
| A    |  Flat Washer | 16  |
| B    |  Bolt        | 16  |
| C    |  Wrench      | 1   |

### Step 1.



### Step 2.



### Step 3.

