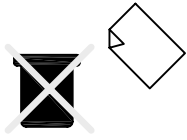


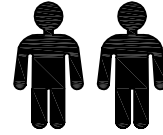
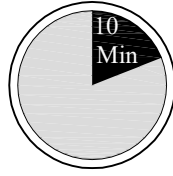
HINTS & TIPS



Assembly Instruction

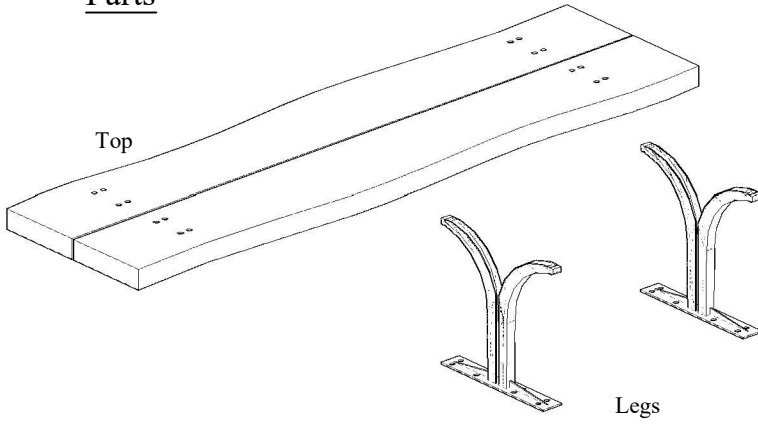



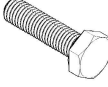
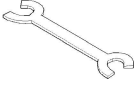
Please retain this assembly instruction for future use.



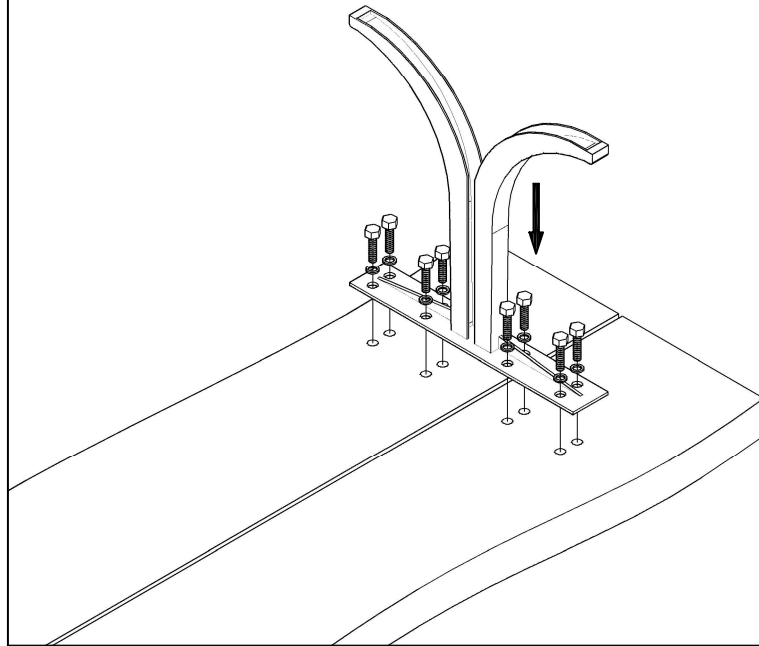
This assembly requires two people

Parts

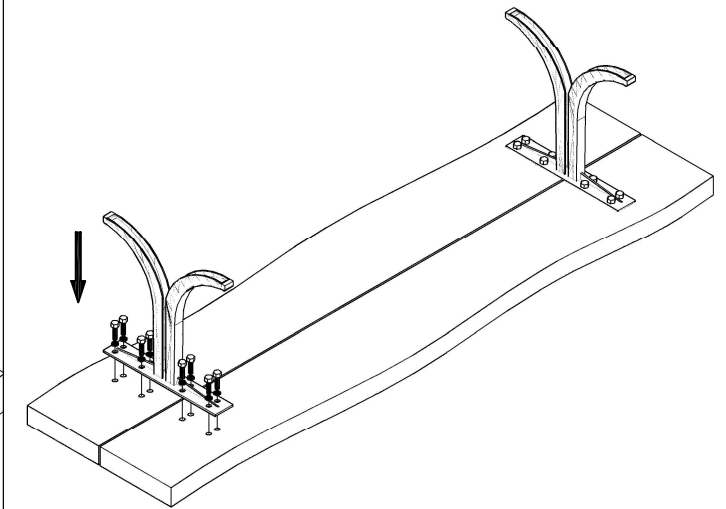


Code	Description	Qty
A	 Flat Washer	16
B	 Bolt	16
C	 Wrench	1

Step 1.



Step 2.



Step 3.

