

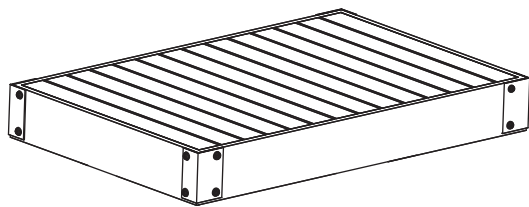
ASSEMBLY INSTRUCTIONS COFFEE TABLE

Assemble this item on a non-marring padded surface.
Proper assembly of this item requires 2 adults.

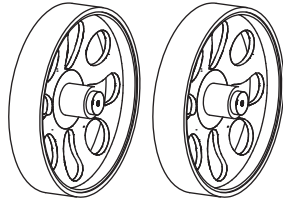
Care Instructions

Wipe with a soft, dry cloth and avoid the use of chemicals and household cleaners. Any liquid spilled onto the table should be cleaned up immediately with a damp cloth.

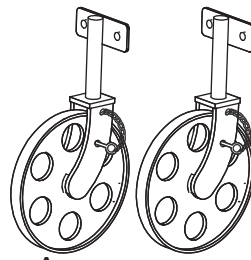
PARTS



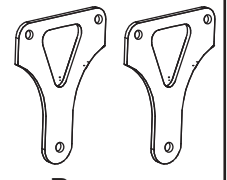
Wooden Top
(1 Nos)



Large Metal Wheel
(2 Nos)



Small Metal Wheel
(2 Nos)



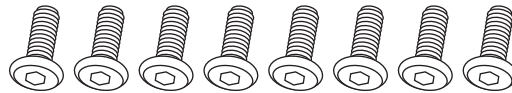
Wheel Support
(2 Nos)



Axle
(1 Nos)



Dome Nut
(2 Nos)



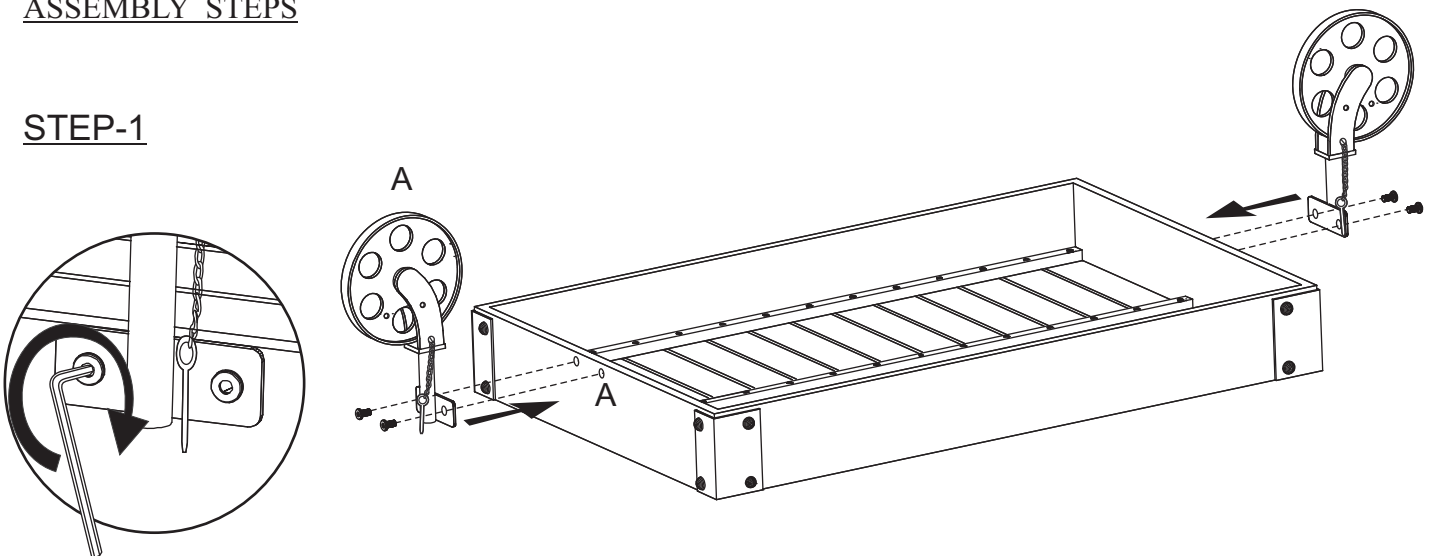
Allen Bolt
(8 Nos)



Allen Key
(1 Nos)

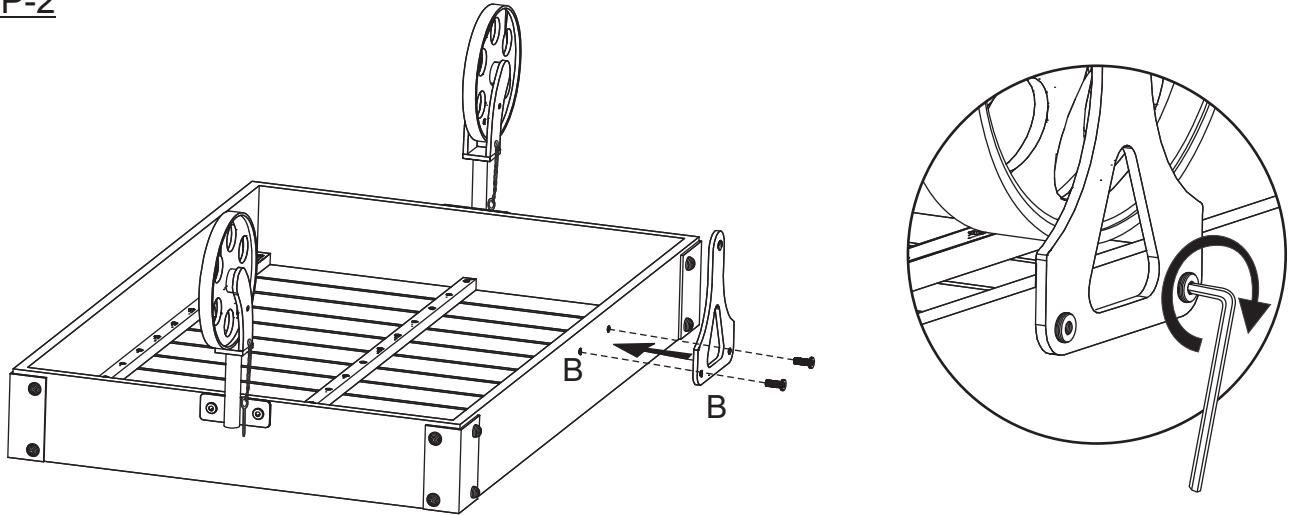
ASSEMBLY STEPS

STEP-1



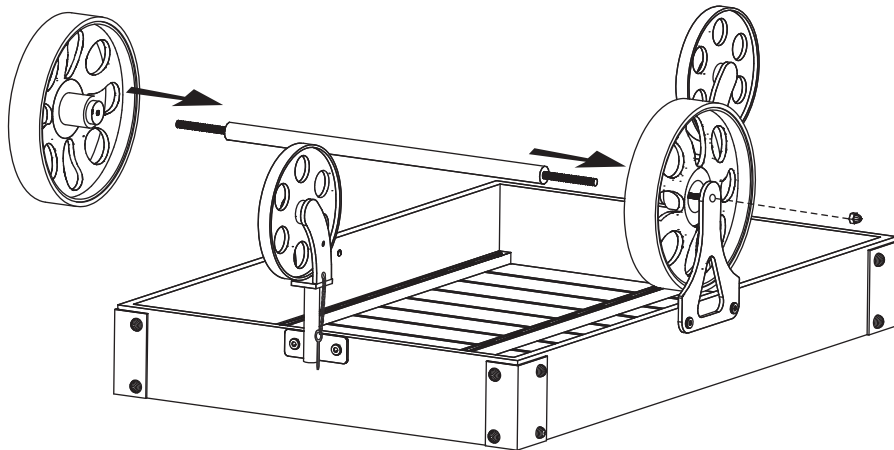
Place wooden top upside down on a smooth flat padded surface. Align small wheel (A) over coffee table matching labels A with A. Secure small wheel (A) with allen bolt. Repeat the step to secure other wheel. Do not fully tighten connections.

STEP-2



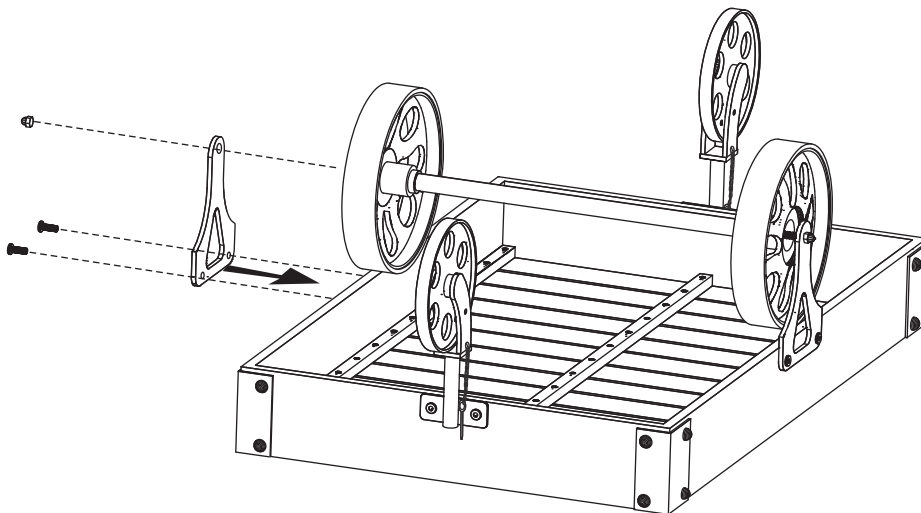
Align wheel support on the coffee table as shown above in the drawing. Insert allen bolt and secure with the help of allen key. Repeat the step to secure other wheel support. Do not fully tighten connections.

STEP-3



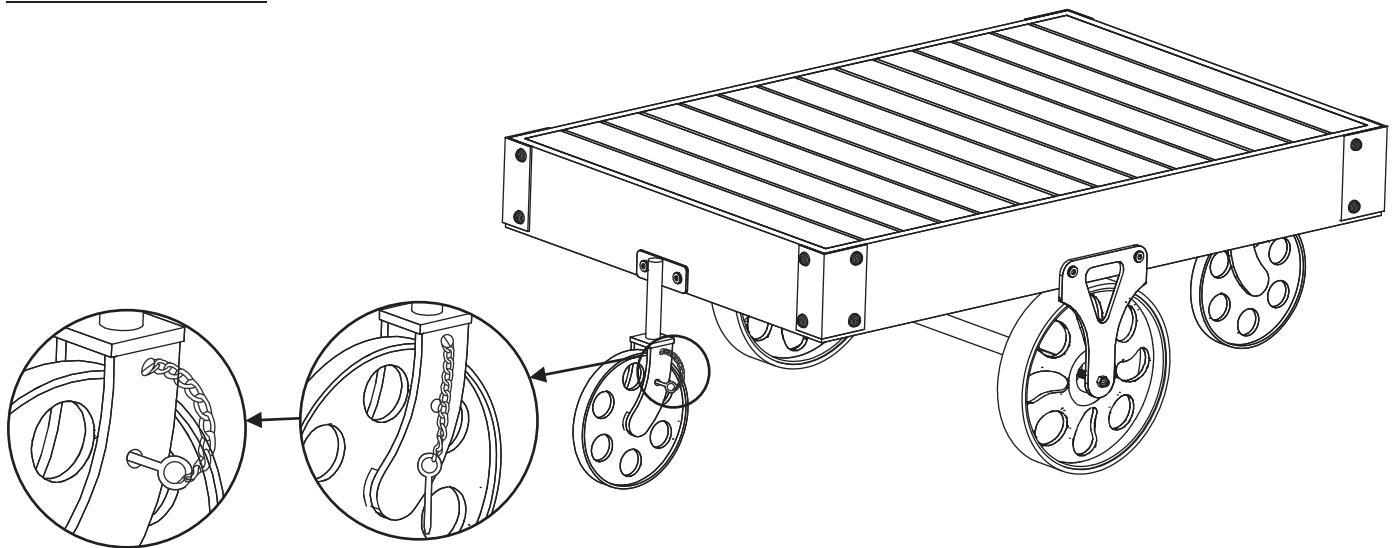
Align large wheel & axle wheel support as shown above in the drawing and secure with dome nut. Repeat the step to secure other large wheel on the other end of axle.

STEP-4



Turn the piece in upright position. Place on a flat surface. Fully tighten all connections product is ready to use.

Assembled View



Insert metal pin in the provided small wheel holes to restrict movement of table wheel.

Note : Wheels are non functional and for decorative purpose only.