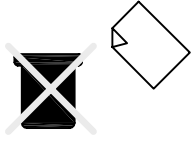


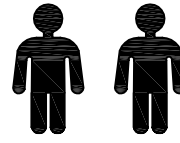
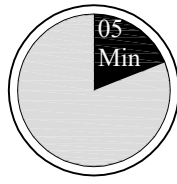
# HINTS & TIPS



# Assembly Instruction

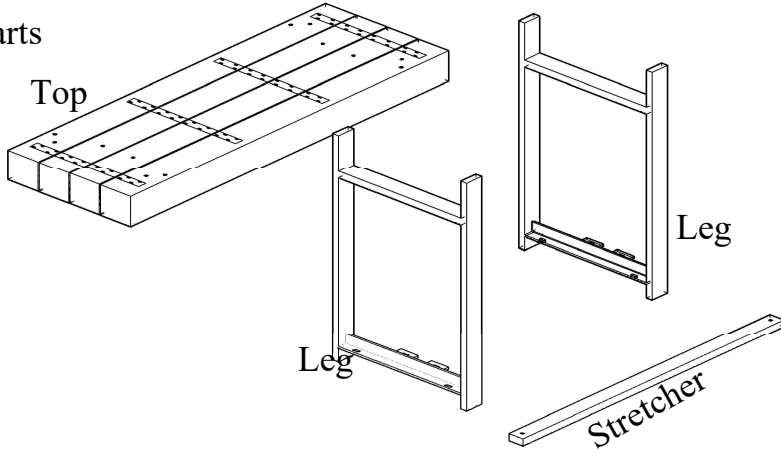




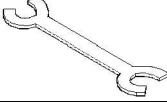
Please retain this assembly instruction for future use.



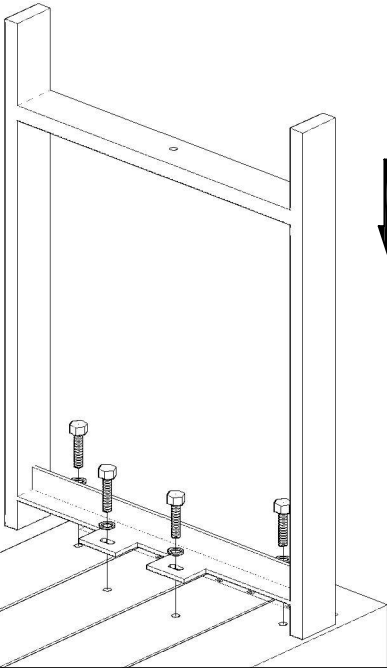
This assembly requires two people

Parts

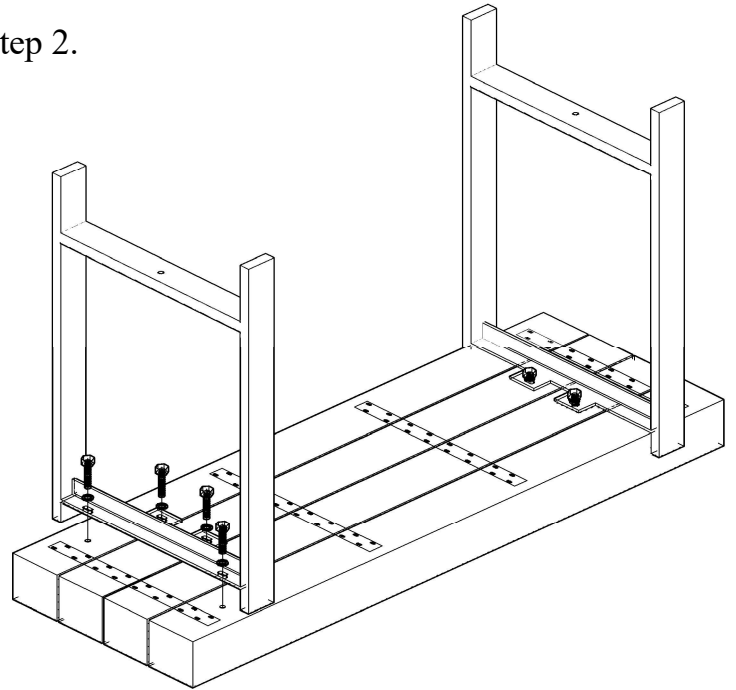


| Code | Description   | Qty |
|------|---|-----|
| 1    |  Flat Washer | 10  |
| 2    |  Bolt        | 10  |
| 3    |  Wrench      | 01  |

Step 1.



Step 2.



Step 3.

