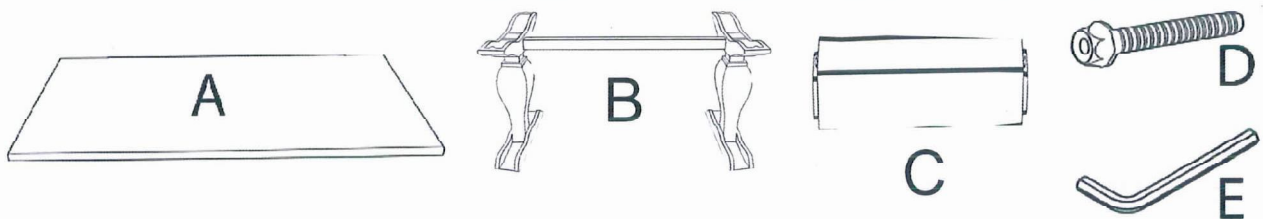
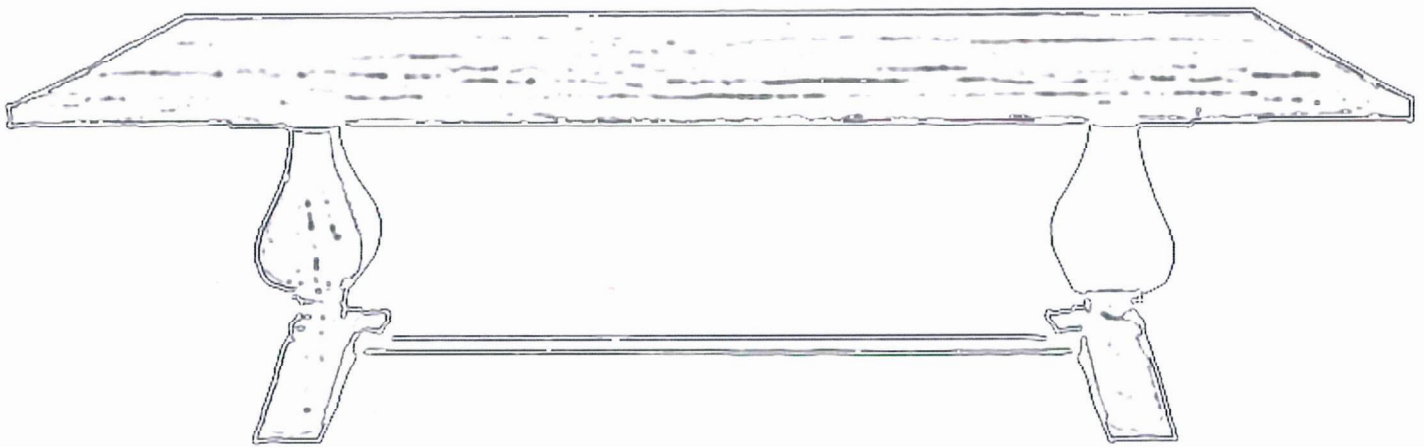
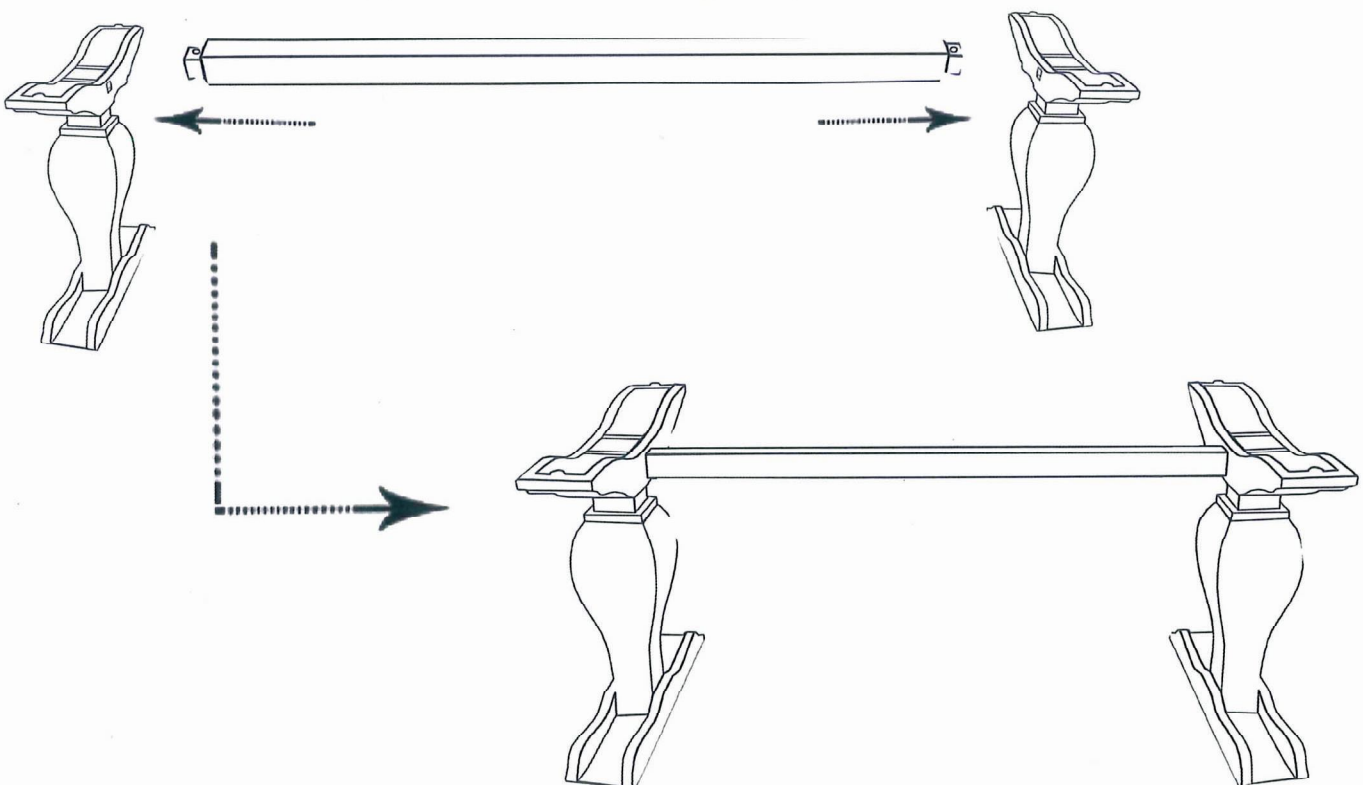


ASSEMBLY INSTRUCTION: DINING TABLE



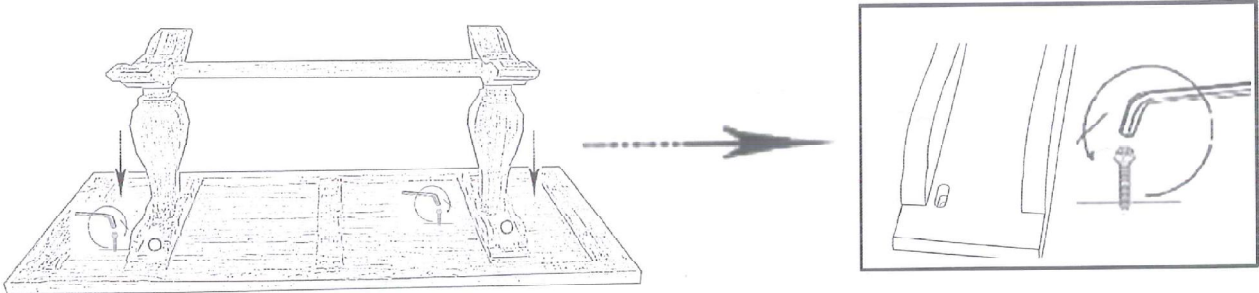
STEP- 01

Insert the centre support bar in both legs respective slots as shown in diagrame.

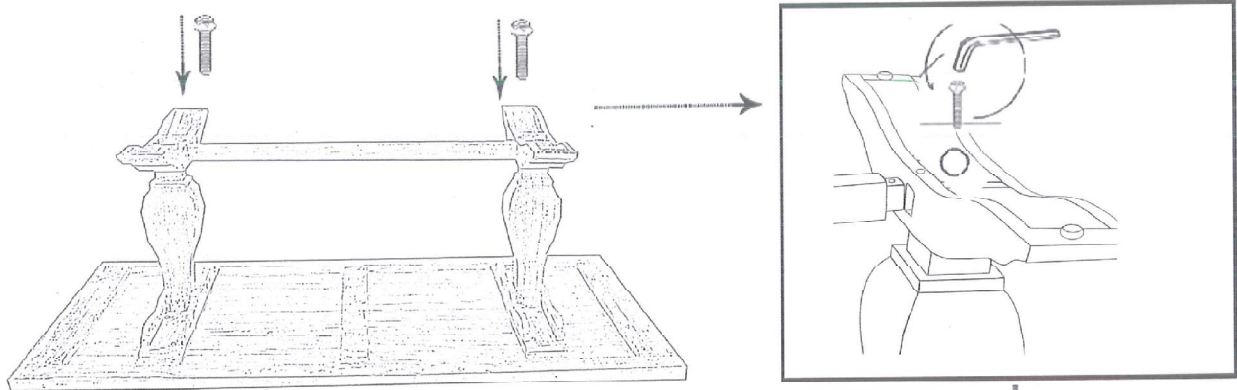


STEP- 02

After fix the centre support & Both legs tighten the bolt on respetive holes shown on centre support & dining tables top .



Then fix the Both legs with table top tighten the bolt on respetive holes shown on diagram.



Then fix the all bolts turn the table on the legs.

