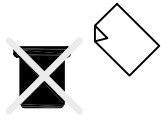


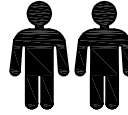
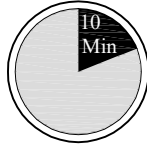
HINTS & TIPS



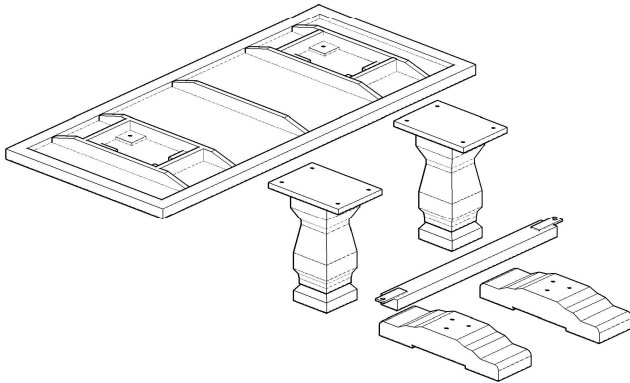
Assembly Instruction



Please retain this assembly instruction for future use.



This assembly requires two people



Code	Description	Qty
1	Flat Washer	16
2	Bolt	08
3	Wrench	01
4	Allenbolt	06
5	Allenbolt	02
6	AllenKey Large & Small	02

