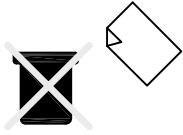


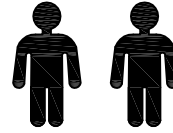
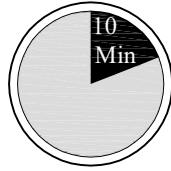
HINTS & TIPS



Assembly Instruction

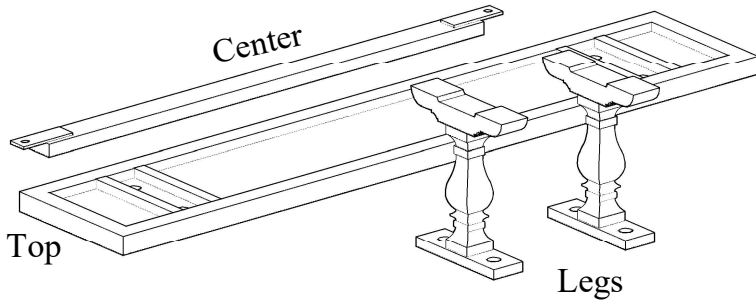



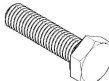
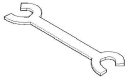


Please retain this assembly instruction for future use.



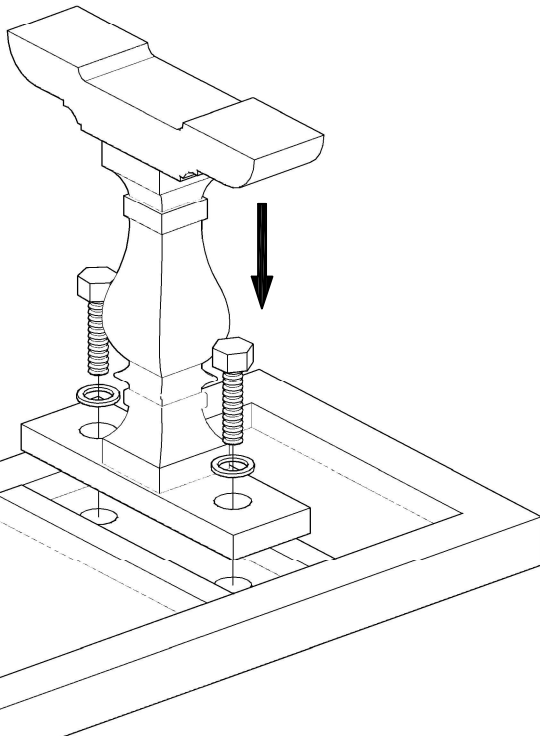
This assembly requires two people

PARTS

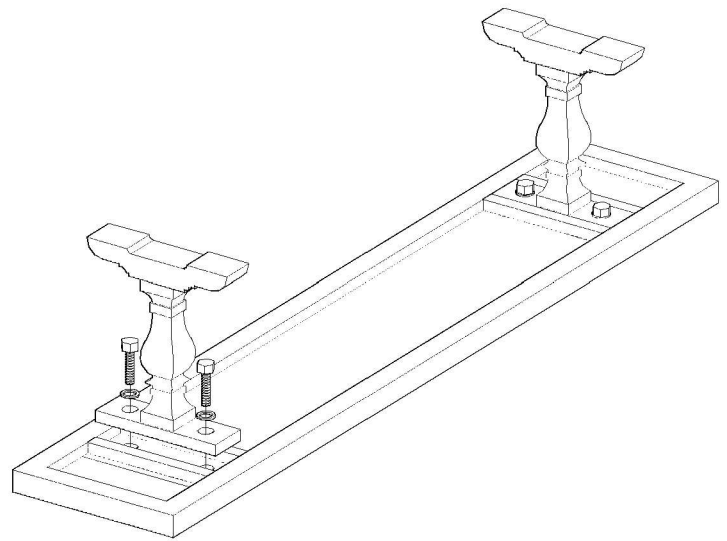


Code	Description	Qty
1	 Flat Washer	04
2	 Bolt	04
3	 Wrench	01
4	 Allenbolt	02
5	 Allenkey	01

Step 1.



Step 2.



Step 3.

