

ASSEMBLY INSTRUCTION FOR PRODUCT CODE: 51030279



Please retain this assembly instruction for future use

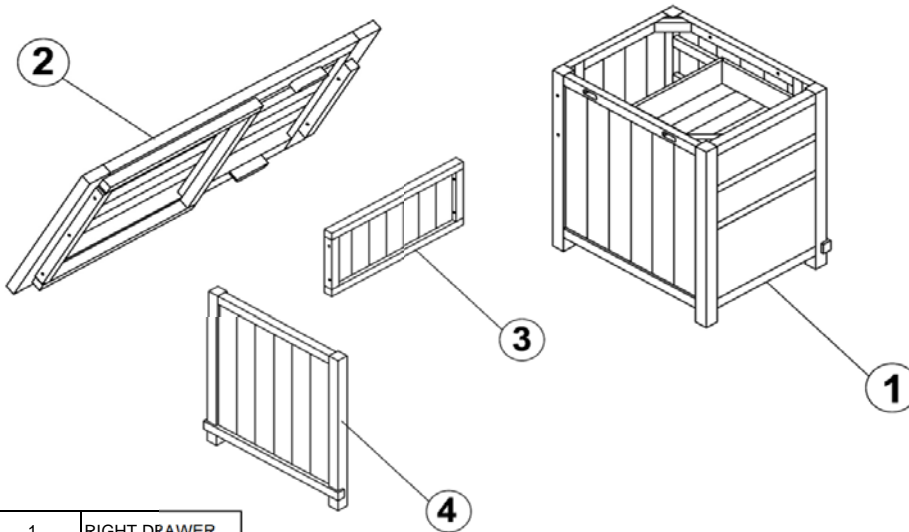


This assembly requires two people

BEFORE YOU START...

1. Choose a clean, level, spacious assembly area. Avoid hard surfaces that may damage the product.
2. Check and ensure that you have all required contents for complete assembly.
3. Always read the assembly instructions carefully before beginning assembly.
4. The packaging and contents can be a choking hazard, therefore keep out of reach of small children at all times.
5. Do not over tighten the bolts as this may damage the thread.

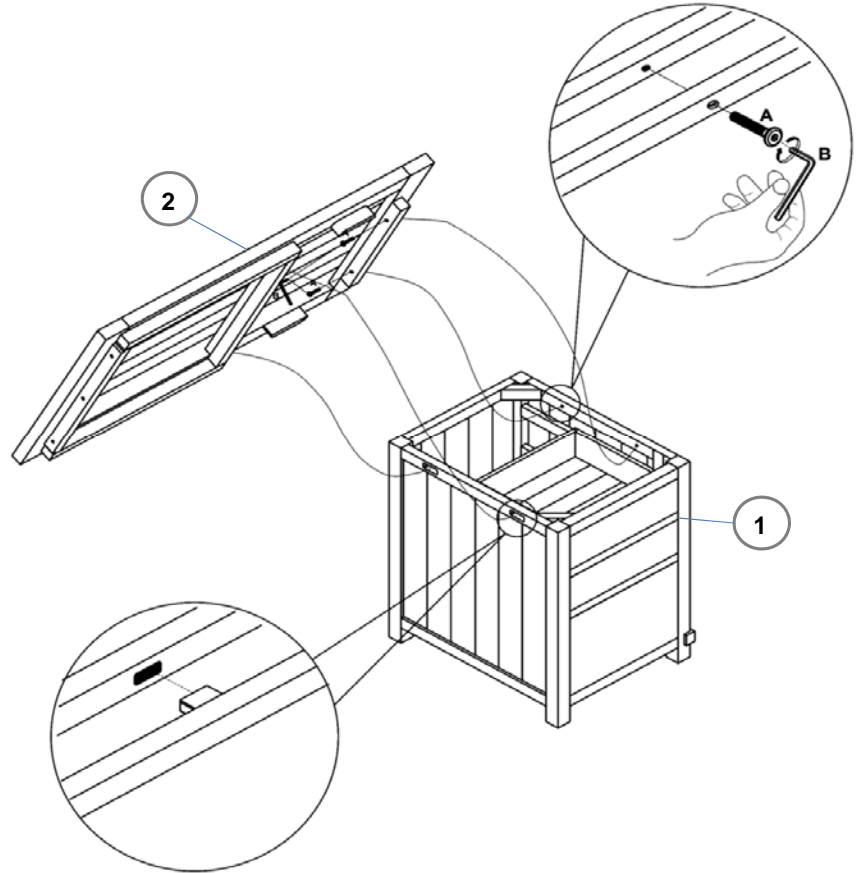
A



1	RIGHT DRAWER
2	TABLE TOP
3	BACK PANEL
4	LEFT LEG

HARDWARE			QUANTITY
A	BOLT 0.31" x 2.36" Ø 8mm x 60mm		09
B	ALLEN KEY 0.16" x 2.32" Ø 4mm x 59mm		01

B



- Attach the table top (2) into the right drawer (1).

- Using allen key (B) tighten all bolts (A).

ASSEMBLY INSTRUCTION FOR PRODUCT CODE: 51030279

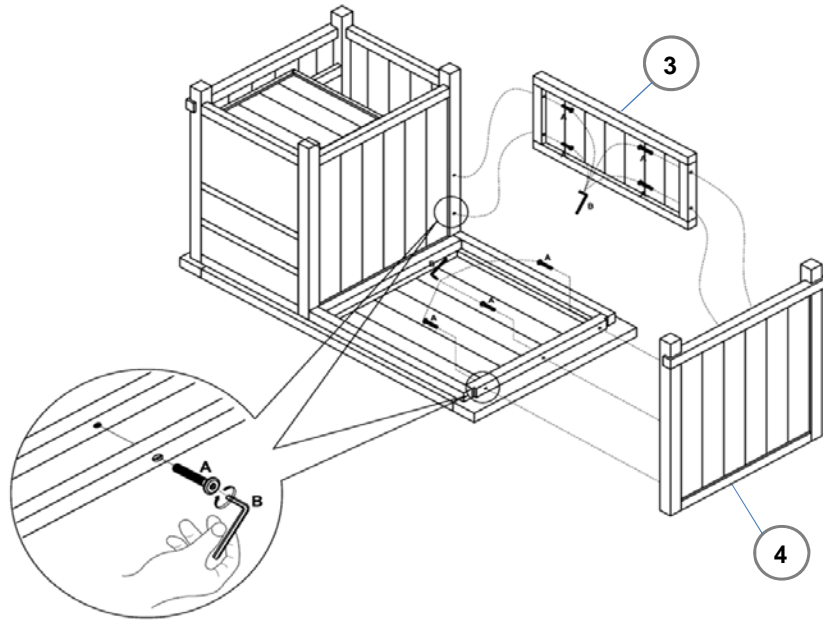


Please retain this assembly instruction for future use



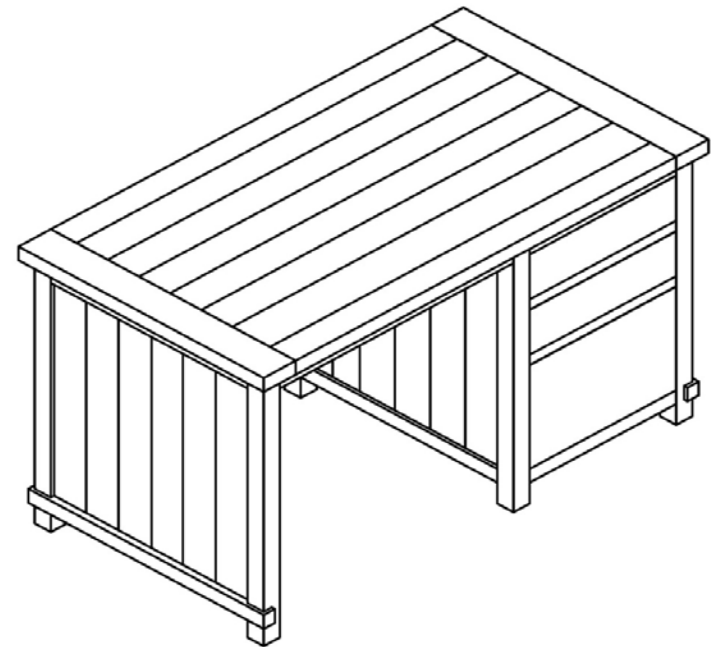
This assembly requires two people

C



- Assemble the left leg (4) and back panel (3) into assembled part.
- Using allen key (B) tighten all bolts (A).

D



- Carefully turn the table over and stand on its leg.
- Completed item.