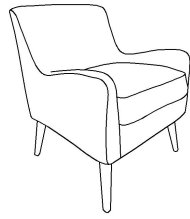


DownEast Chair-Assembly Instructions



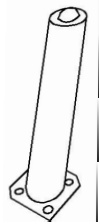
8076

PARTS



Chair Base

1x



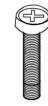
Leg

4X



WRENCH

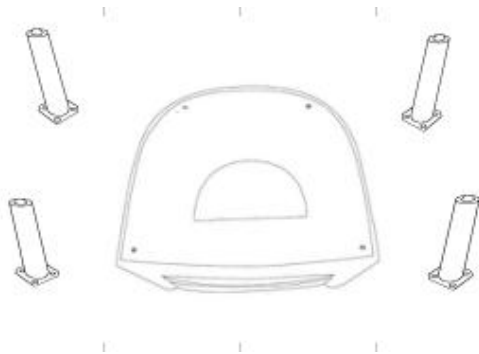
1X



BOLT

16X

STEP 1.



FINISHED.

